



US00D581706S

(12) **United States Design Patent**
Calatrava Valls

(10) **Patent No.:** **US D581,706 S**

(45) **Date of Patent:** **** Dec. 2, 2008**

(54) **TABLE**

D545,088 S * 6/2007 Robinson D6/495
D566,996 S * 4/2008 Muller D6/495

(76) Inventor: **Santiago Calatrava Valls**, Parkring 11,
CH-8002 Zurich (CH)

* cited by examiner

(**) Term: **14 Years**

Primary Examiner—Janice E Seeger
(74) *Attorney, Agent, or Firm*—Brian Roffe

(21) Appl. No.: **29/305,561**

(22) Filed: **Mar. 24, 2008**

(57) **CLAIM**

The ornamental design for a table, as shown and described.

(30) **Foreign Application Priority Data**

Sep. 24, 2007 (WO) DM 069 510

DESCRIPTION

(51) **LOC (8) Cl.** **06-06**

FIG. 1 is a perspective view of a table showing my new design;

(52) **U.S. Cl.** **D6/495; D6/482**

FIG. 2 is a top view thereof;

(58) **Field of Classification Search** D6/480–489,
D6/495–499, 429–431, 511; 108/150, 153.1,
108/156, 157.1, 161; 248/188, 188.1, 188.8
See application file for complete search history.

FIG. 3 is a bottom view thereof;

FIG. 4 is a left side view thereof, the right side view being a mirror image;

(56) **References Cited**

U.S. PATENT DOCUMENTS

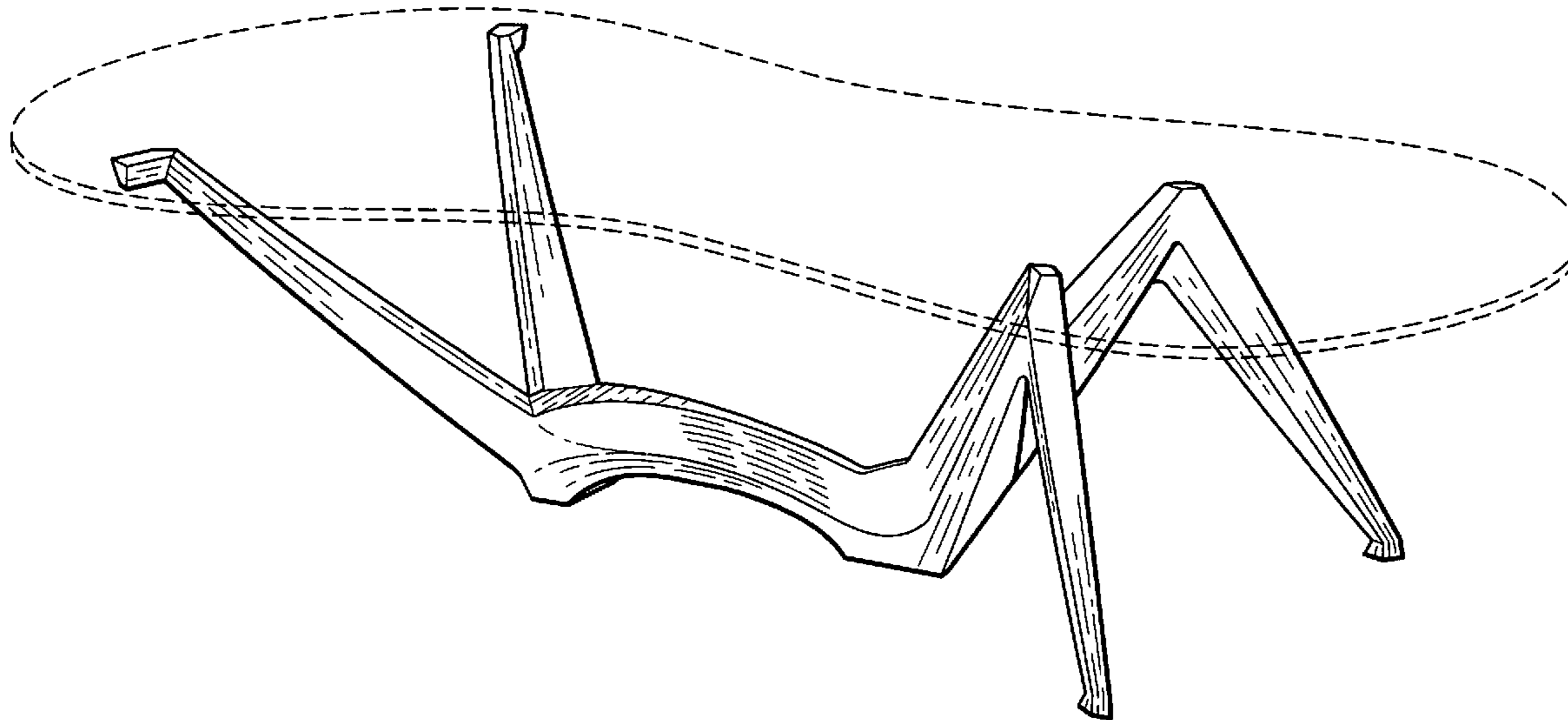
D211,099 S * 5/1968 Jenkins D6/495
D218,943 S * 10/1970 Culliss D6/482
D386,331 S * 11/1997 Grosfillex D6/495

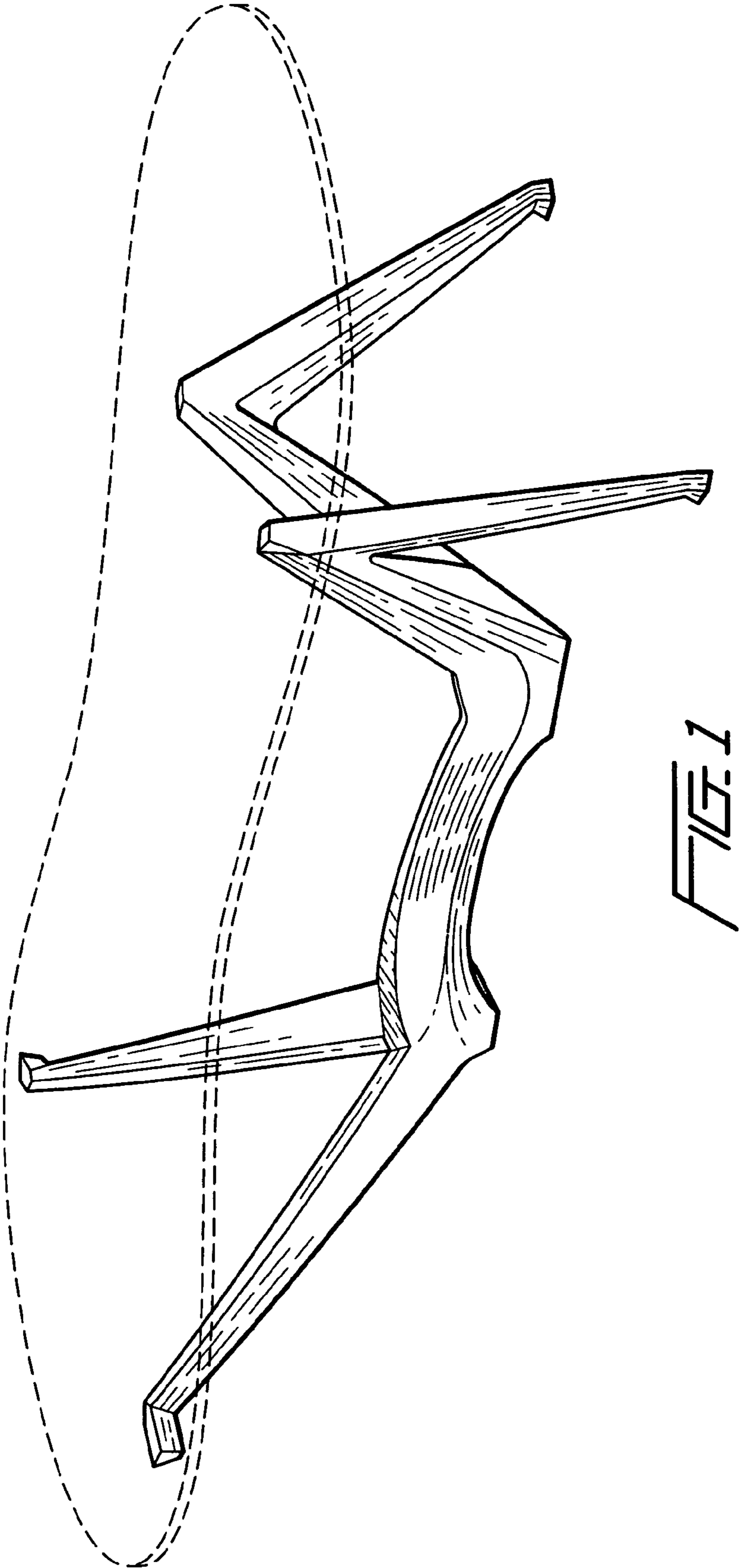
FIG. 5 is a front view thereof; and,

FIG. 6 is a rear view thereof.

The broken lines are for environmental purposes only and form no part of the claimed design.

1 Claim, 4 Drawing Sheets





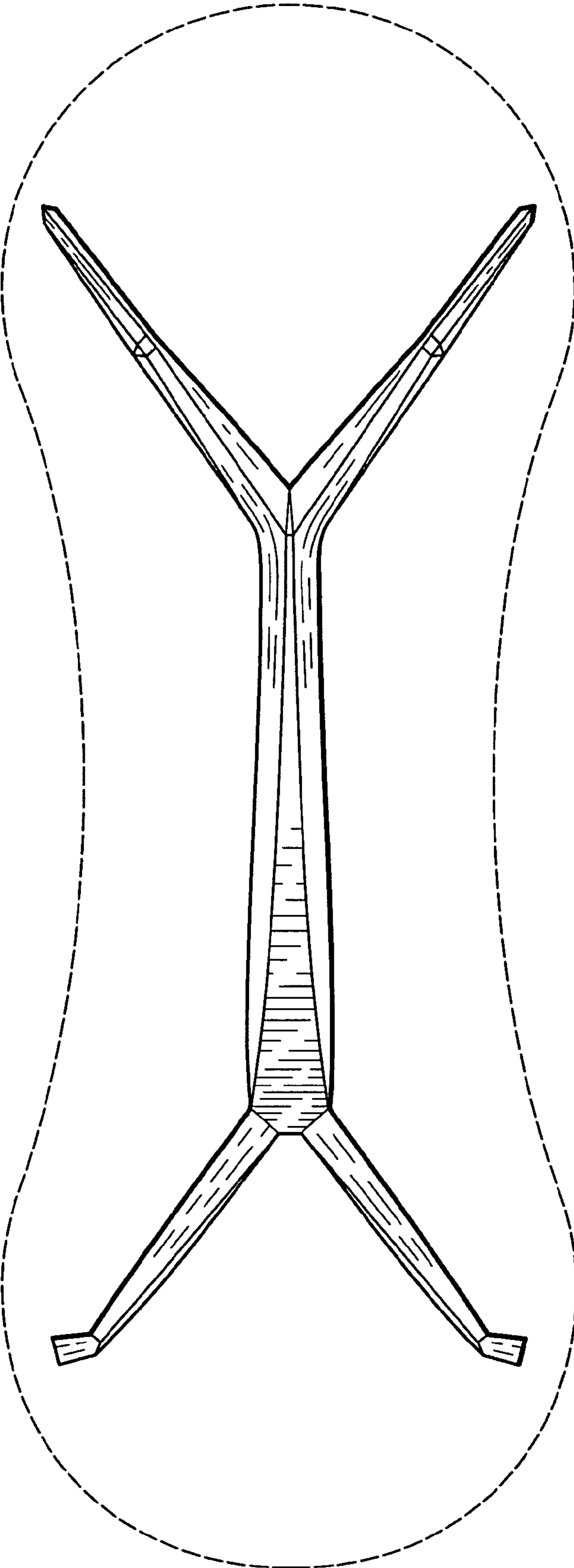


FIG. 2

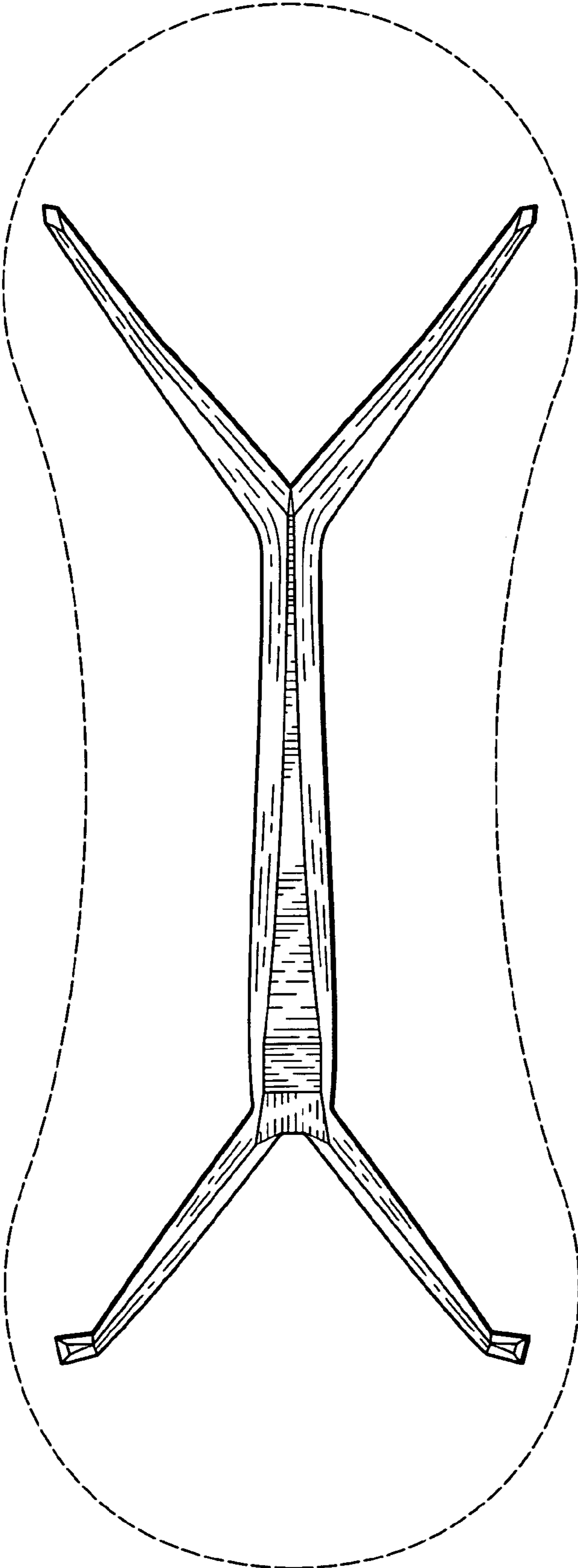


FIG. 3

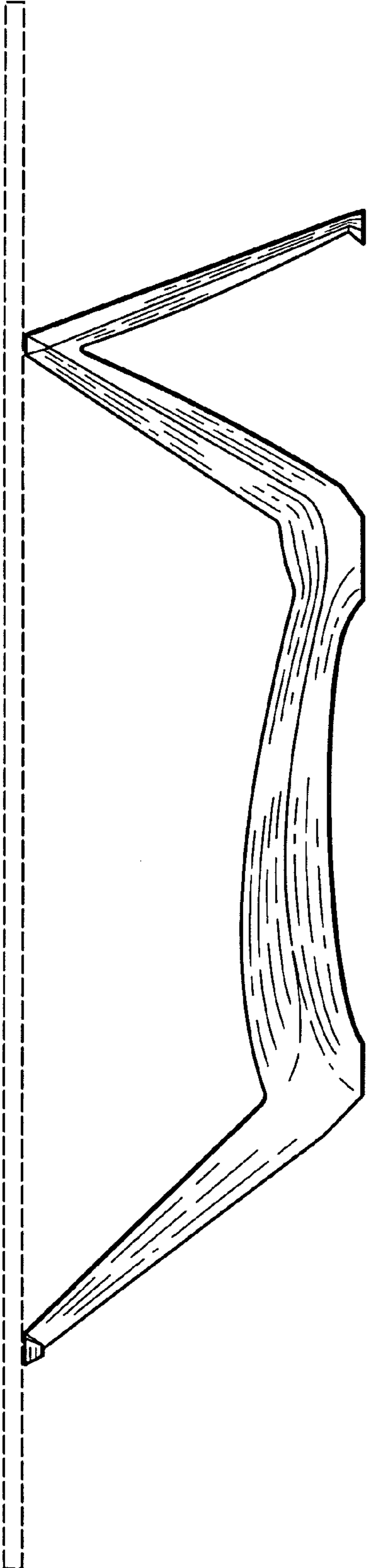


FIG. 4

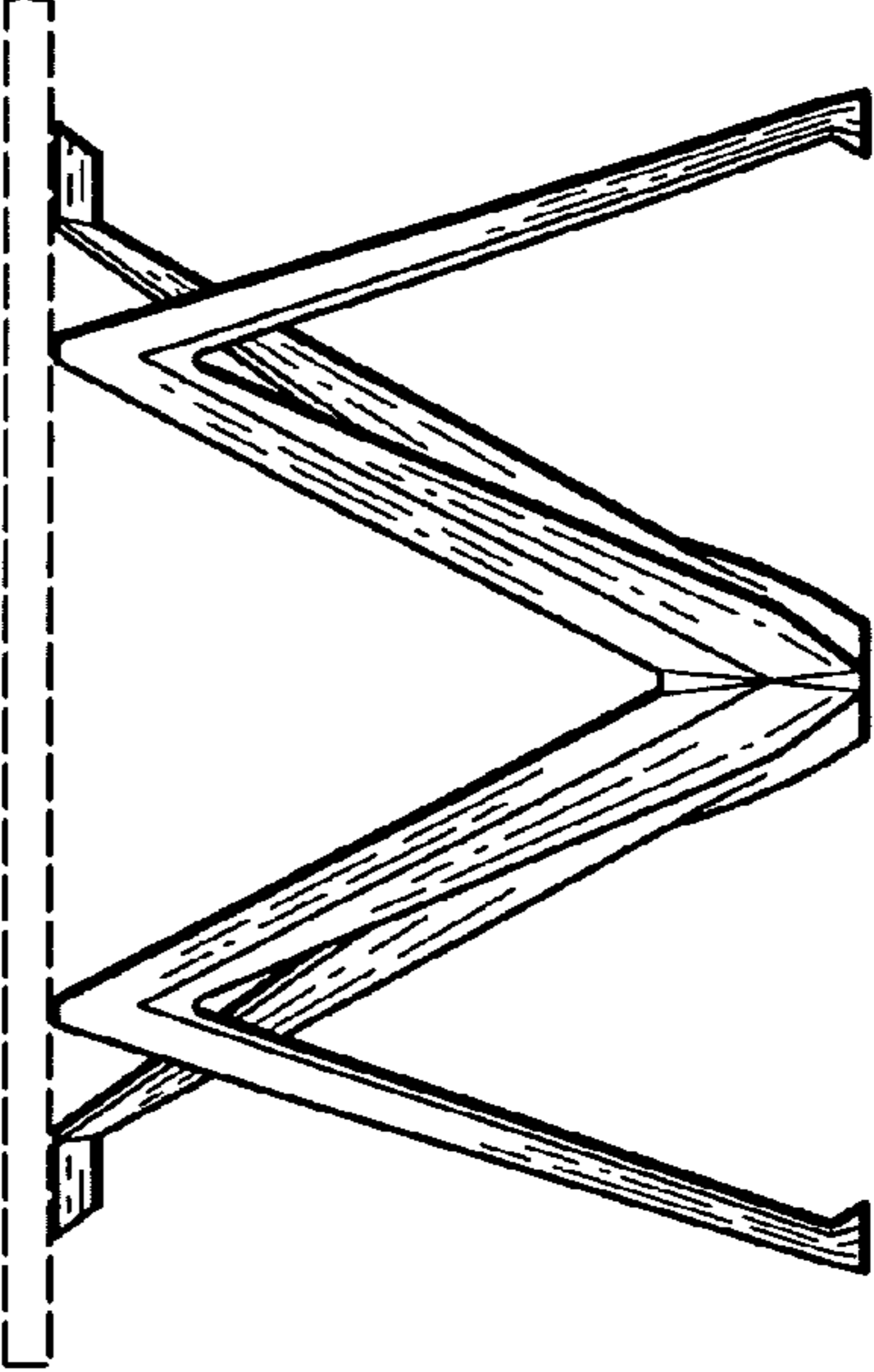


FIG. 6

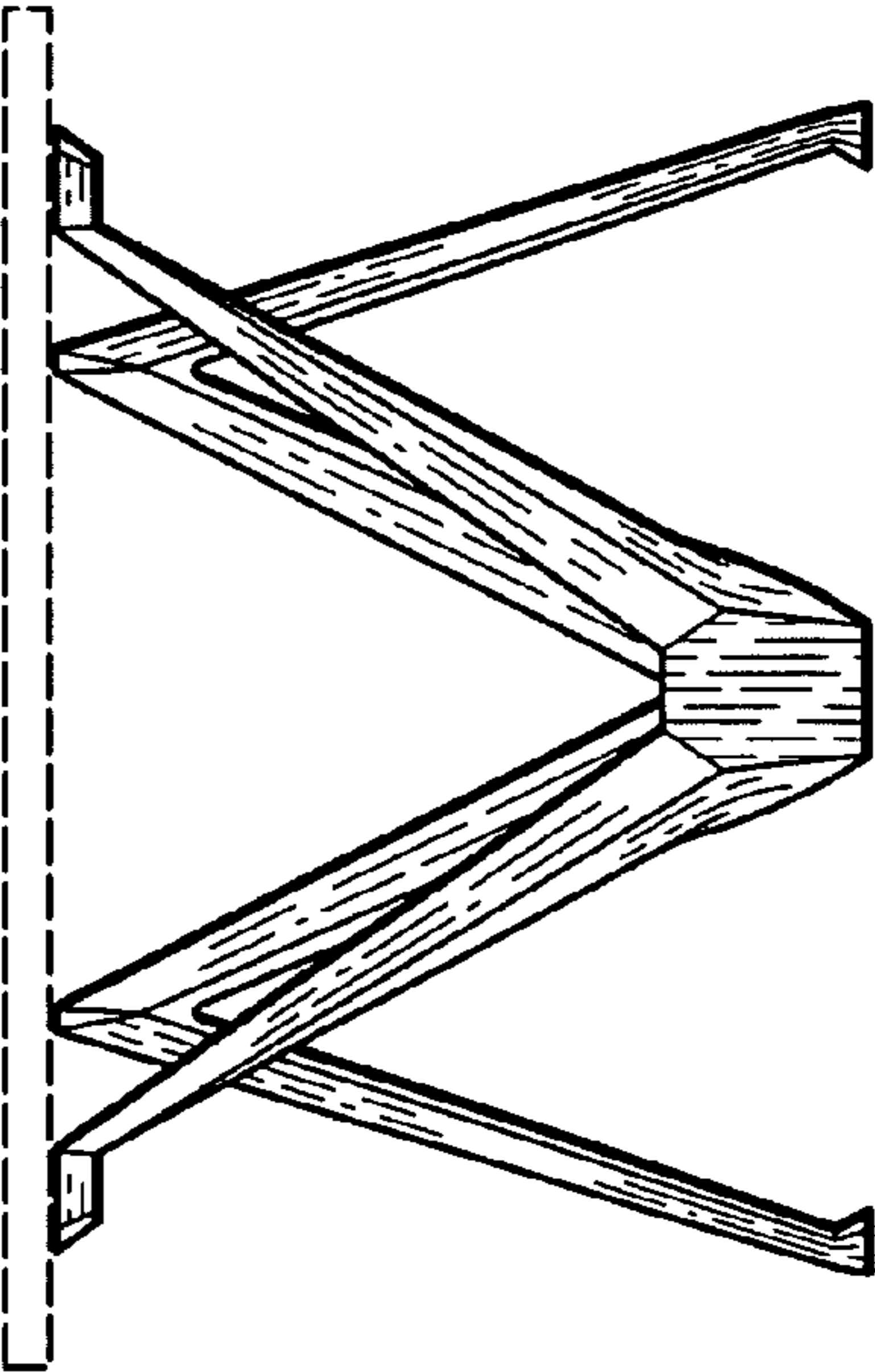


FIG. 5