



US00D581704S

(12) **United States Design Patent**
Hwang

(10) **Patent No.:** **US D581,704 S**

(45) **Date of Patent:** **** Dec. 2, 2008**

(54) **NOTEBOOK TABLE**

(75) Inventor: **Martin Hwang**, Taipei (TW)

(73) Assignee: **Aking Trading Co., Ltd.**, Taipei (TW)

(**) Term: **14 Years**

(21) Appl. No.: **29/290,452**

(22) Filed: **Dec. 7, 2007**

(51) **LOC (8) Cl.** **06-03**

(52) **U.S. Cl.** **D6/486; D6/429; D6/419;**
D6/487

(58) **Field of Classification Search** D6/480-489,
D6/495-499, 429-431, 511, 419, 420, 406.1,
D6/406.2; 108/150, 153.1, 156, 157.1, 161,
108/144.1, 145, 146, 147.18; 248/188, 188.1,
248/188.8

See application file for complete search history.

(56) **References Cited**

U.S. PATENT DOCUMENTS

D239,899 S * 5/1976 Malcolm D6/419
D270,588 S * 9/1983 Kemple D6/486

D290,072 S * 6/1987 Winzeler, III D6/486
D380,727 S * 7/1997 Gilstrap D12/425
D404,219 S * 1/1999 Patterson D6/406.6

* cited by examiner

Primary Examiner—Janice E Seeger

(74) *Attorney, Agent, or Firm*—Troxell Law Office, PLLC

(57) **CLAIM**

The ornamental design for notebook table, as shown and described.

DESCRIPTION

FIG. 1 is a perspective view of a notebook table showing my new design;

FIG. 2 is a front elevational view thereof;

FIG. 3 is a rear elevational view thereof;

FIG. 4 is a top plan view thereof;

FIG. 5 is a bottom plan view thereof;

FIG. 6 is a left side elevational view thereof; and,

FIG. 7 is a right side elevational view thereof.

1 Claim, 7 Drawing Sheets





Fig. 1

Fig. 2

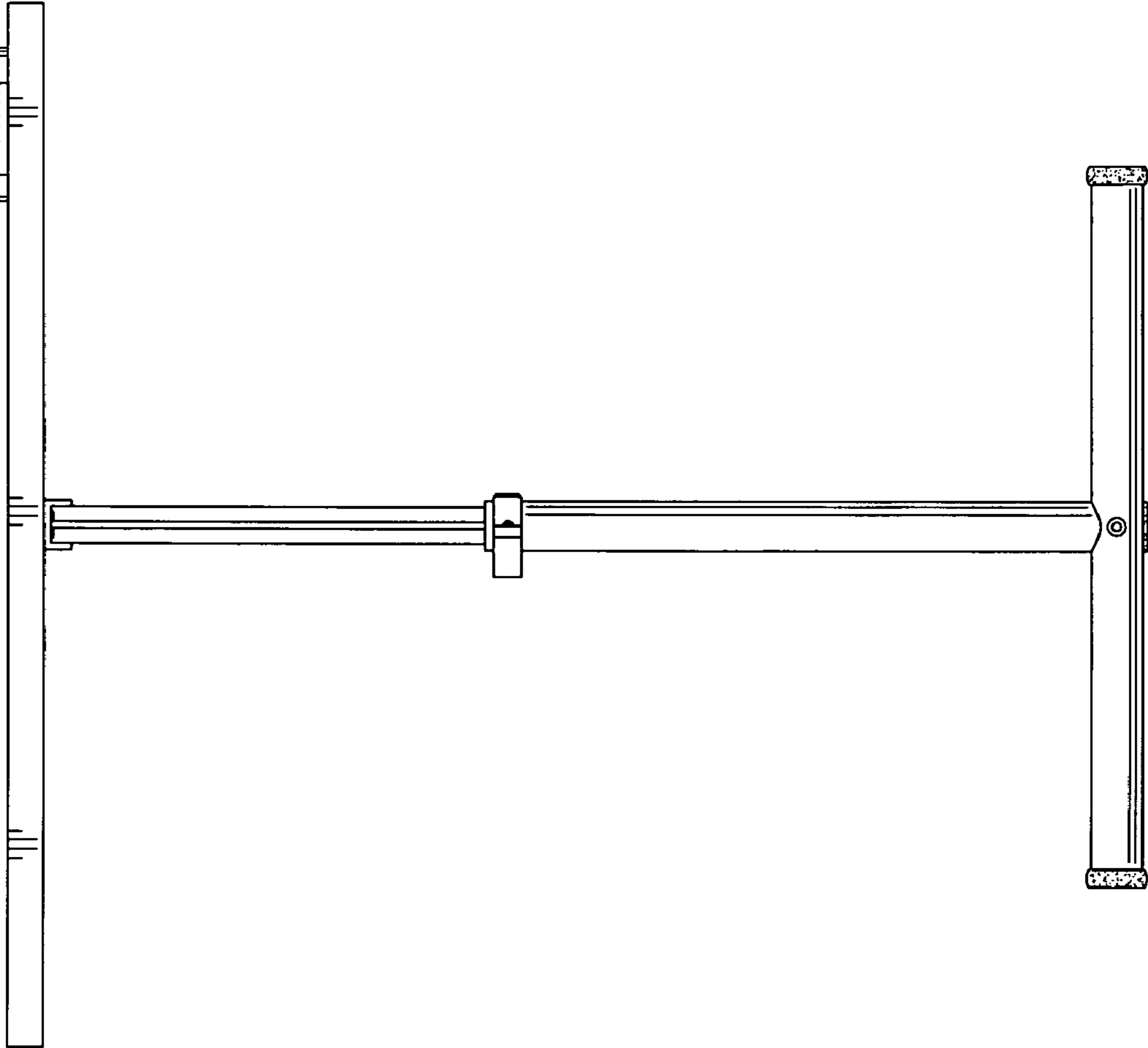
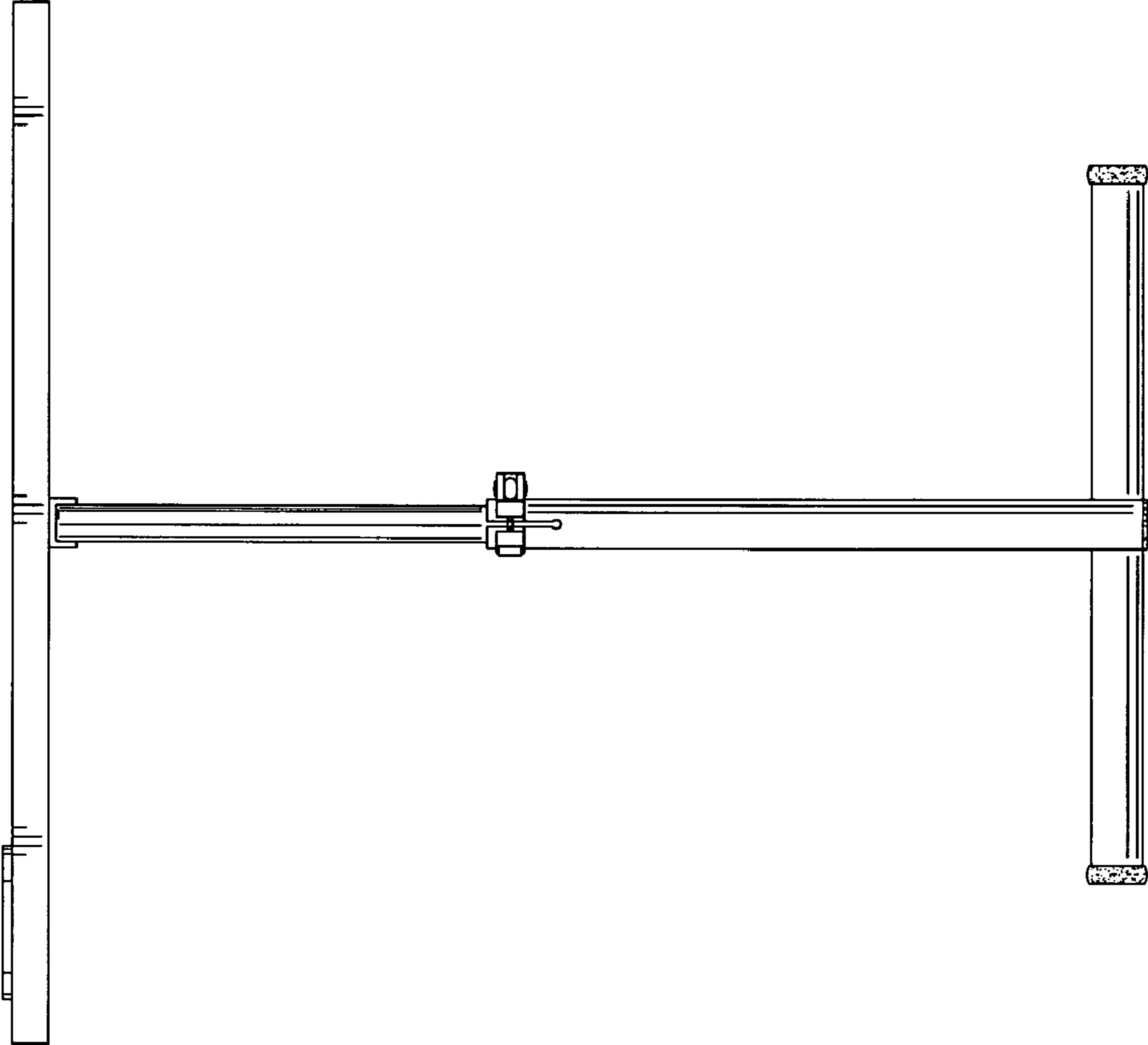


Fig. 3



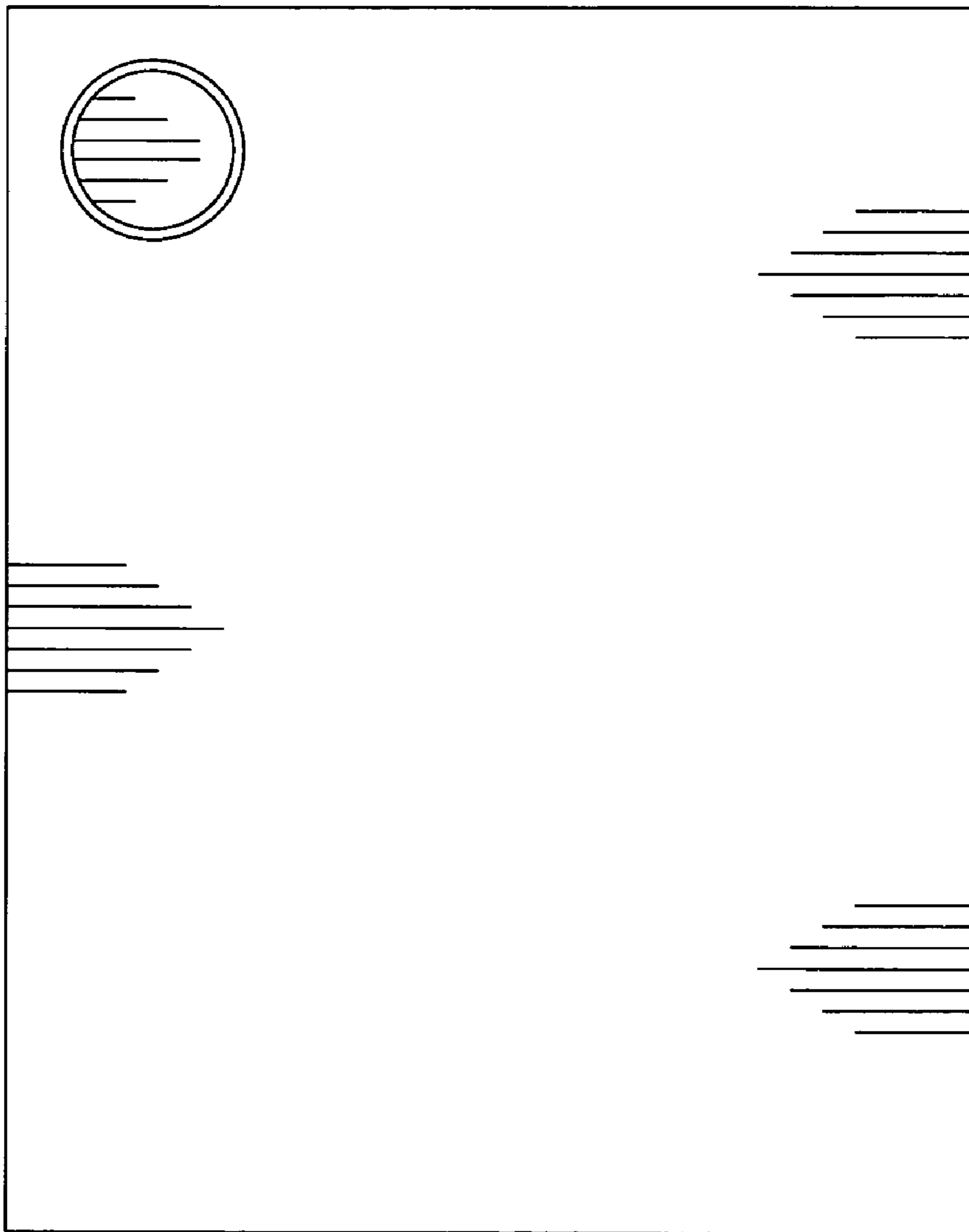


Fig. 4

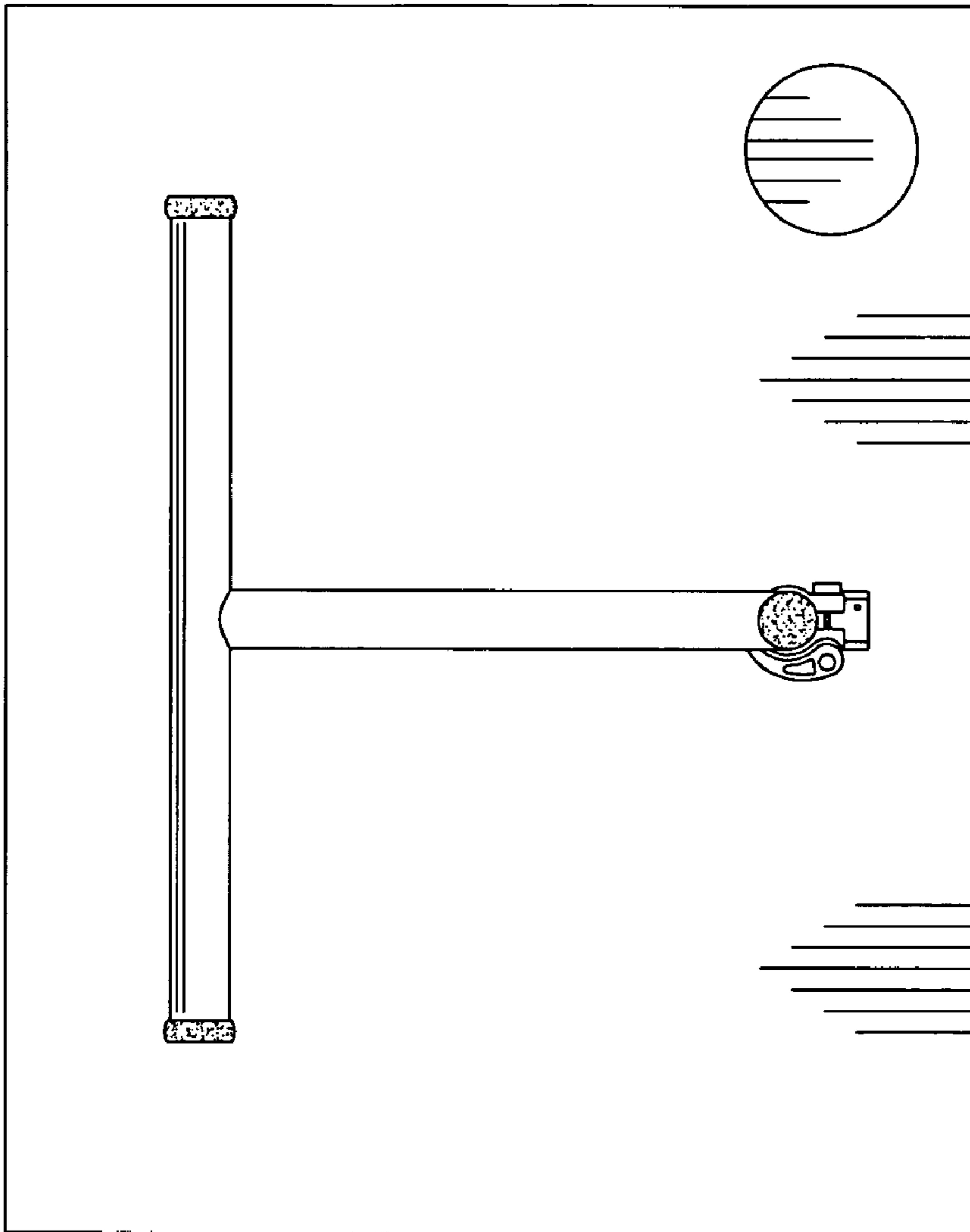
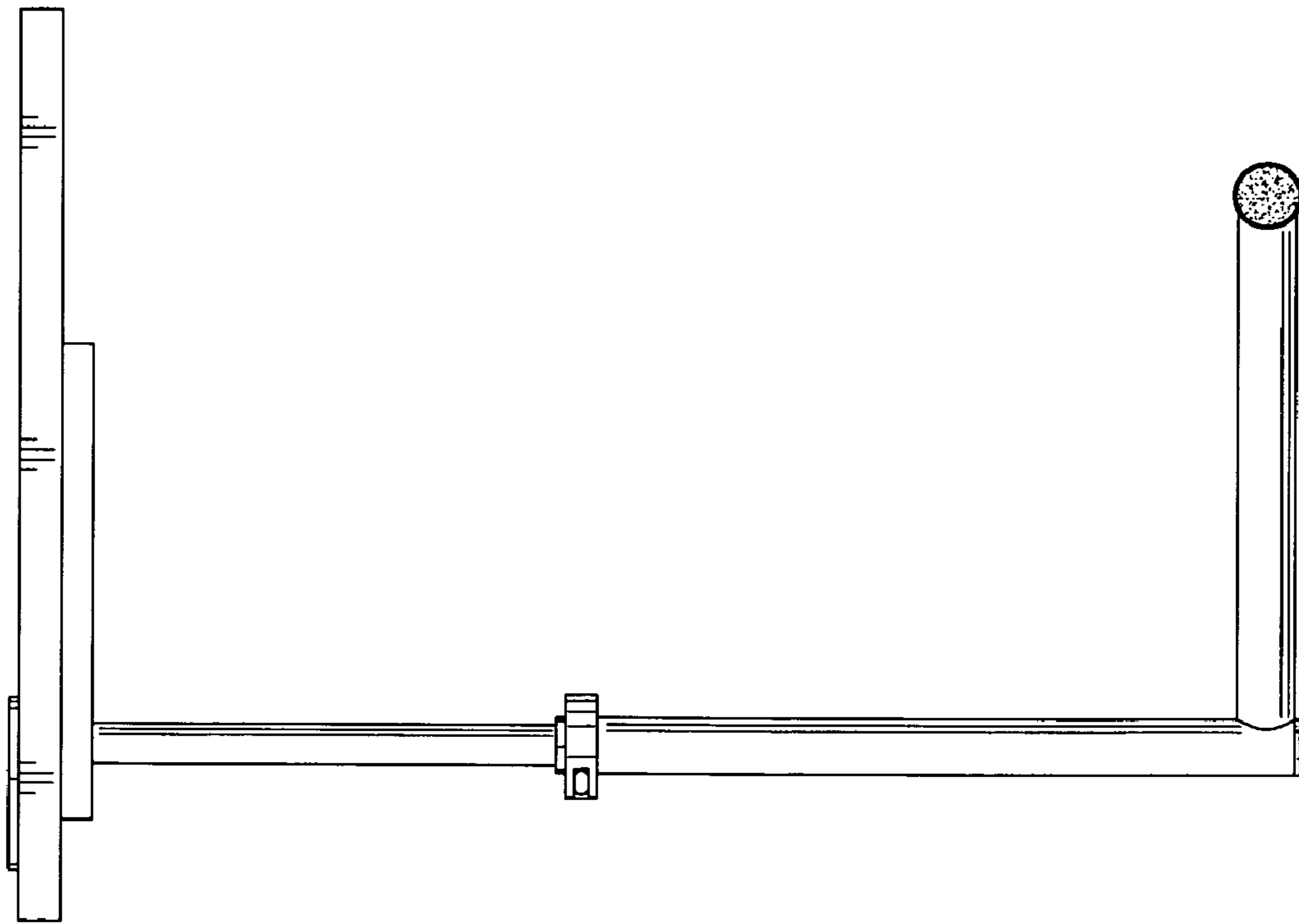


Fig. 5

Fig. 6



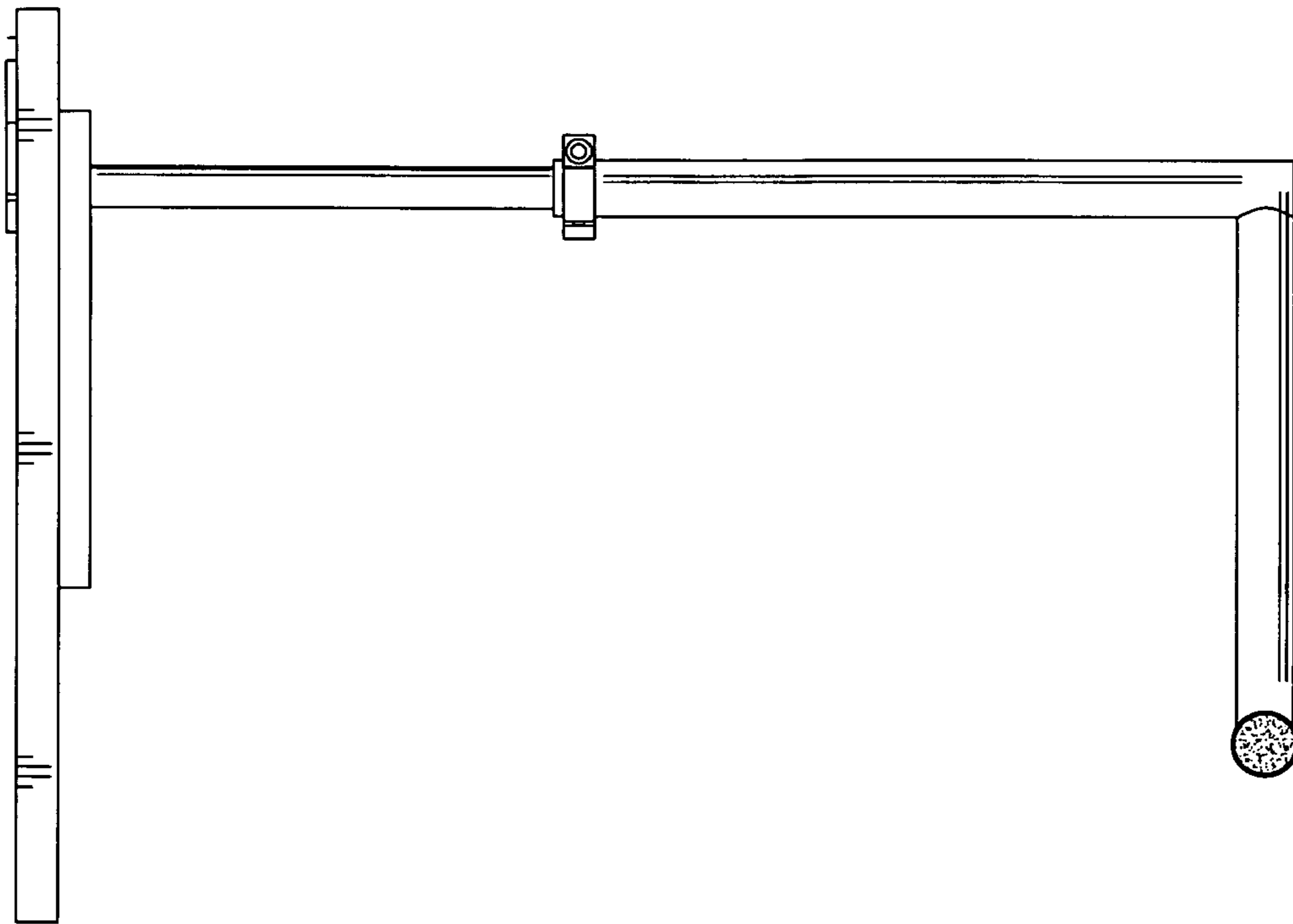


Fig. 7