



US00D581700S

(12) **United States Design Patent**
DePace et al.

(10) **Patent No.:** **US D581,700 S**
(45) **Date of Patent:** **** Dec. 2, 2008**

(54) **WIPES STAND WITH CONTAINER STORAGE**

D565,338 S * 4/2008 St. Peter et al. D6/552

(75) Inventors: **John G. DePace**, 513 Weston Ct.,
Copley, OH (US) 44321; **Doug Zlatic**,
5930 Wallings Rd., North Royalton, OH
(US) 44133

(73) Assignees: **John G. DePace**, Copley, OH (US);
Doug Zlatic, North Royalton, OH (US)

(**) Term: **14 Years**

(21) Appl. No.: **29/301,131**

(22) Filed: **Feb. 12, 2008**

(51) **LOC (8) Cl.** **06-04**

(52) **U.S. Cl.** **D6/449**

(58) **Field of Classification Search** D6/449,
D6/515, 396, 408, 411, 491, 496, 509; 211/45-48,
211/13.1, 86.01; 222/173-174, 180; 221/282,
221/284, 45; 248/205.1, 218.4, 346.01
See application file for complete search history.

(56) **References Cited**

U.S. PATENT DOCUMENTS

D435,379 S	*	12/2000	Nguyen	D6/515
D461,986 S	*	8/2002	Talley	D6/552
D463,183 S	*	9/2002	Tramontina	D6/515
D555,960 S	*	11/2007	Pena	D6/552
D562,588 S	*	2/2008	Bays et al.	D6/449

OTHER PUBLICATIONS

Picture of SaniCart Wipe Floor Stand, provided by Nice Pak, Inc.
Printed out from <http://www.nicepak.com/index.cfm?fuseaction=home.details&id=227>.

* cited by examiner

Primary Examiner—Brian N Vinson

(74) *Attorney, Agent, or Firm*—Renner, Kenner, Greive,
Bobak, Taylor & Weber

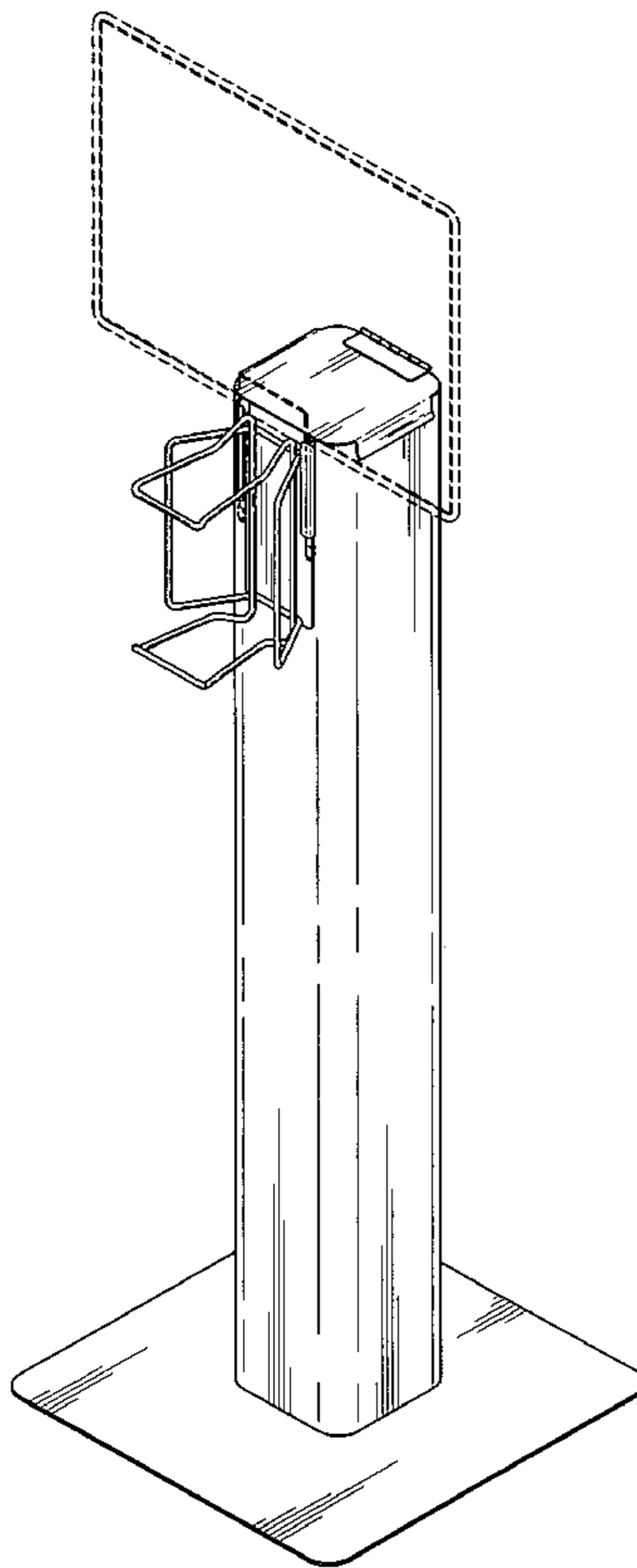
(57) **CLAIM**

We claim the ornamental design for a wipes stand with container storage, as shown and described.

DESCRIPTION

FIG. 1 is a perspective view showing my new design;
FIG. 2 is a front elevation thereof;
FIG. 3 is a right side elevation thereof;
FIG. 4 is a left side elevation thereof;
FIG. 5 is a rear elevation thereof;
FIG. 6 is a top plan view thereof; and,
FIG. 7 is a bottom plan thereof showing the claimed design.
The broken lines shown in the drawings are for the purpose of illustration and form no part of the claimed design.

1 Claim, 7 Drawing Sheets



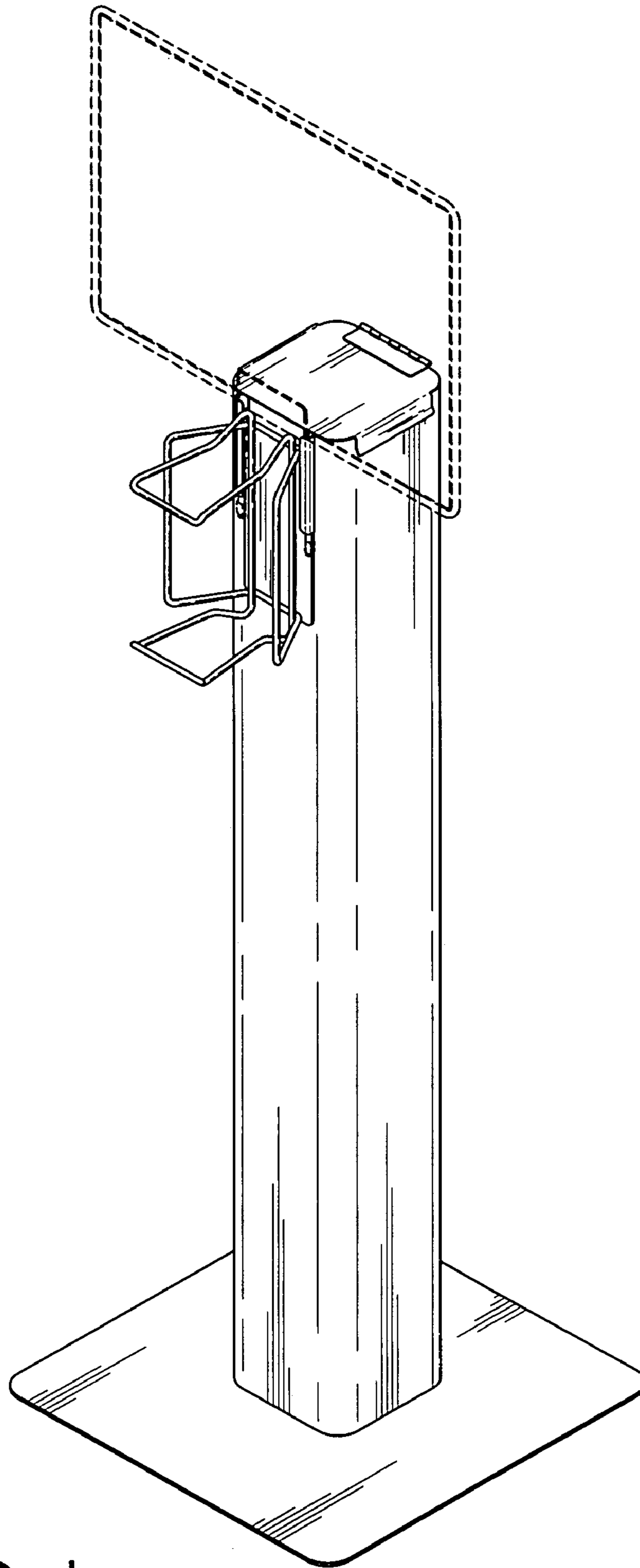


FIG.-1

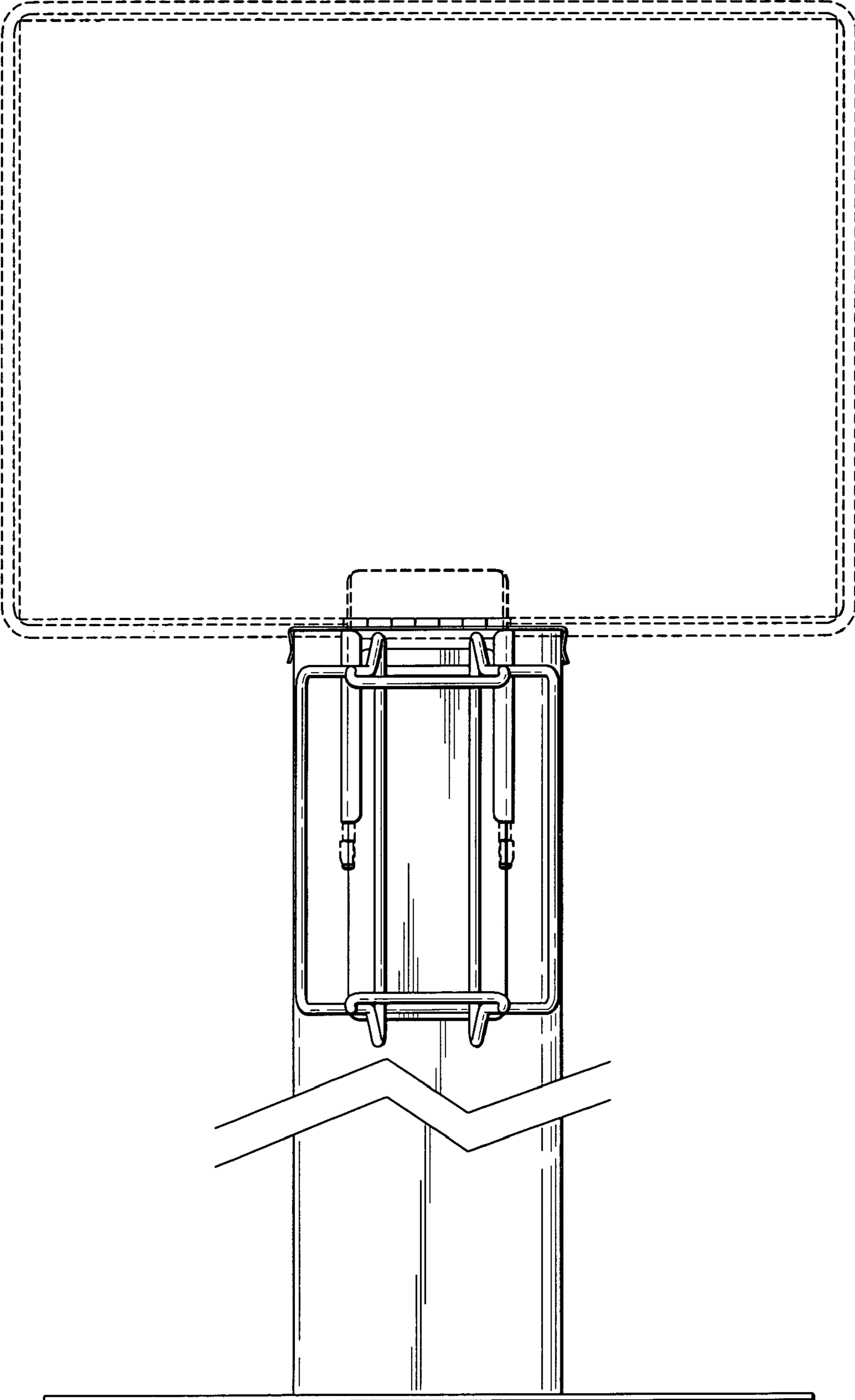


FIG.-2

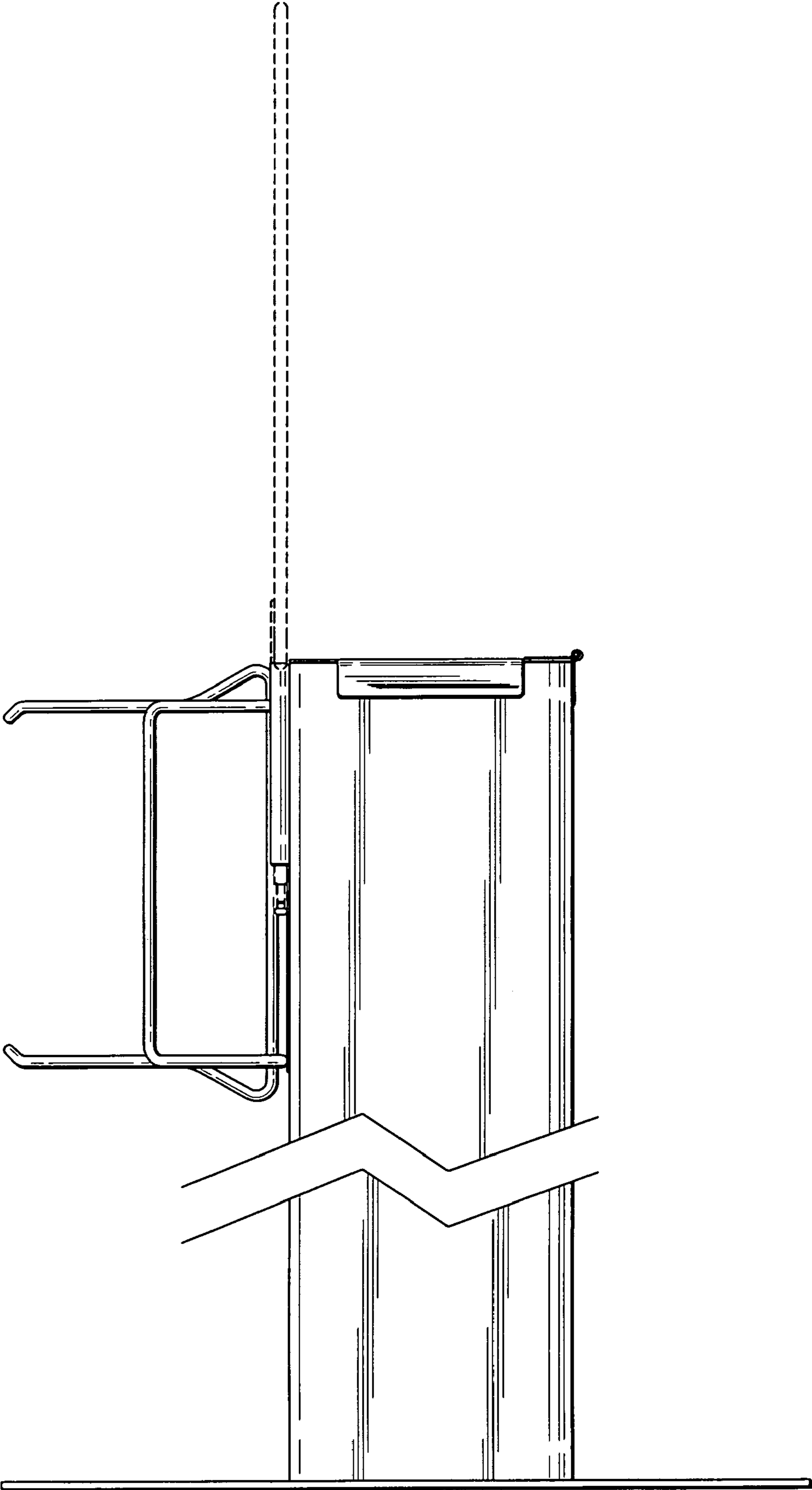


FIG.-3

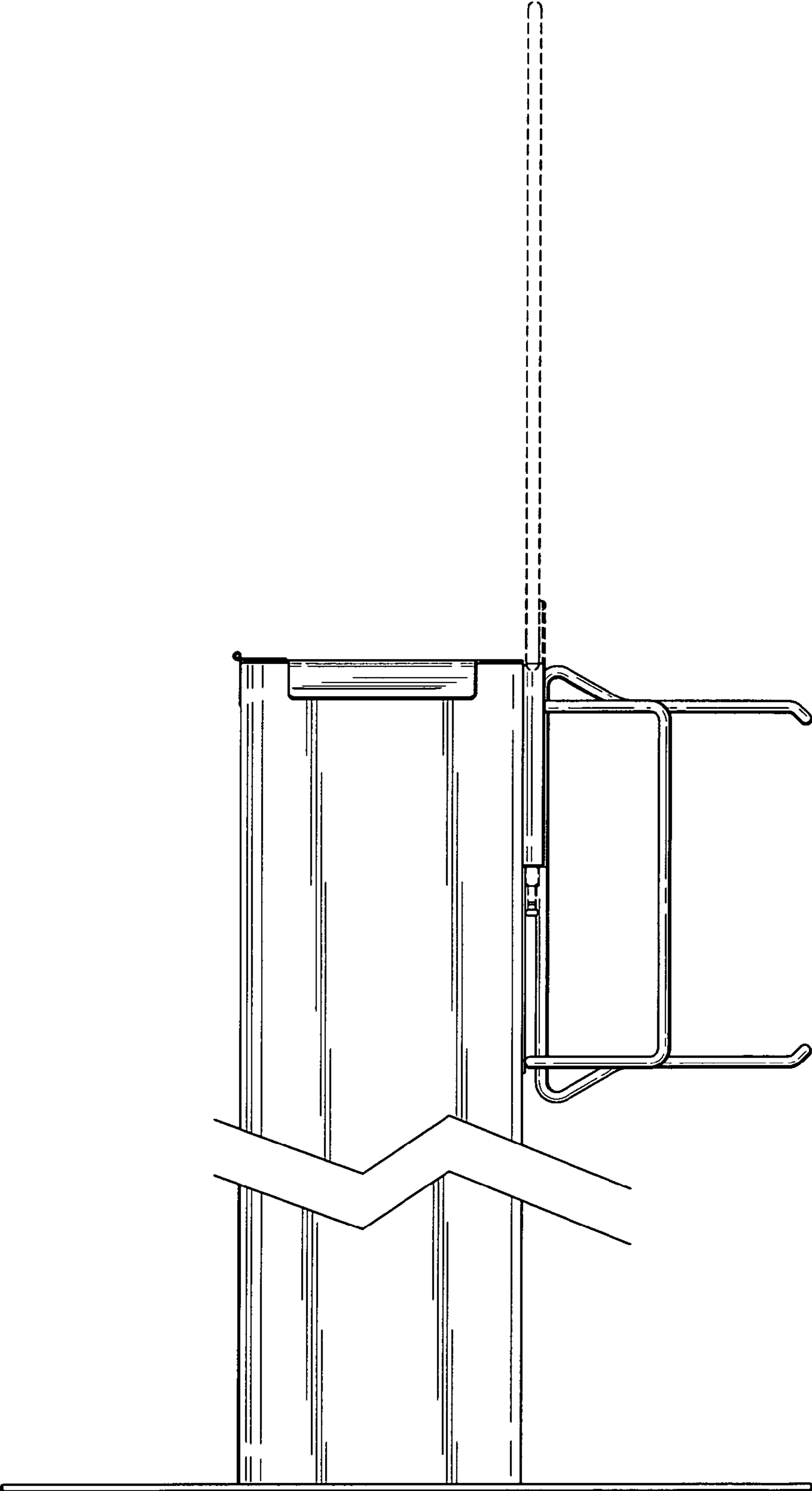


FIG.-4

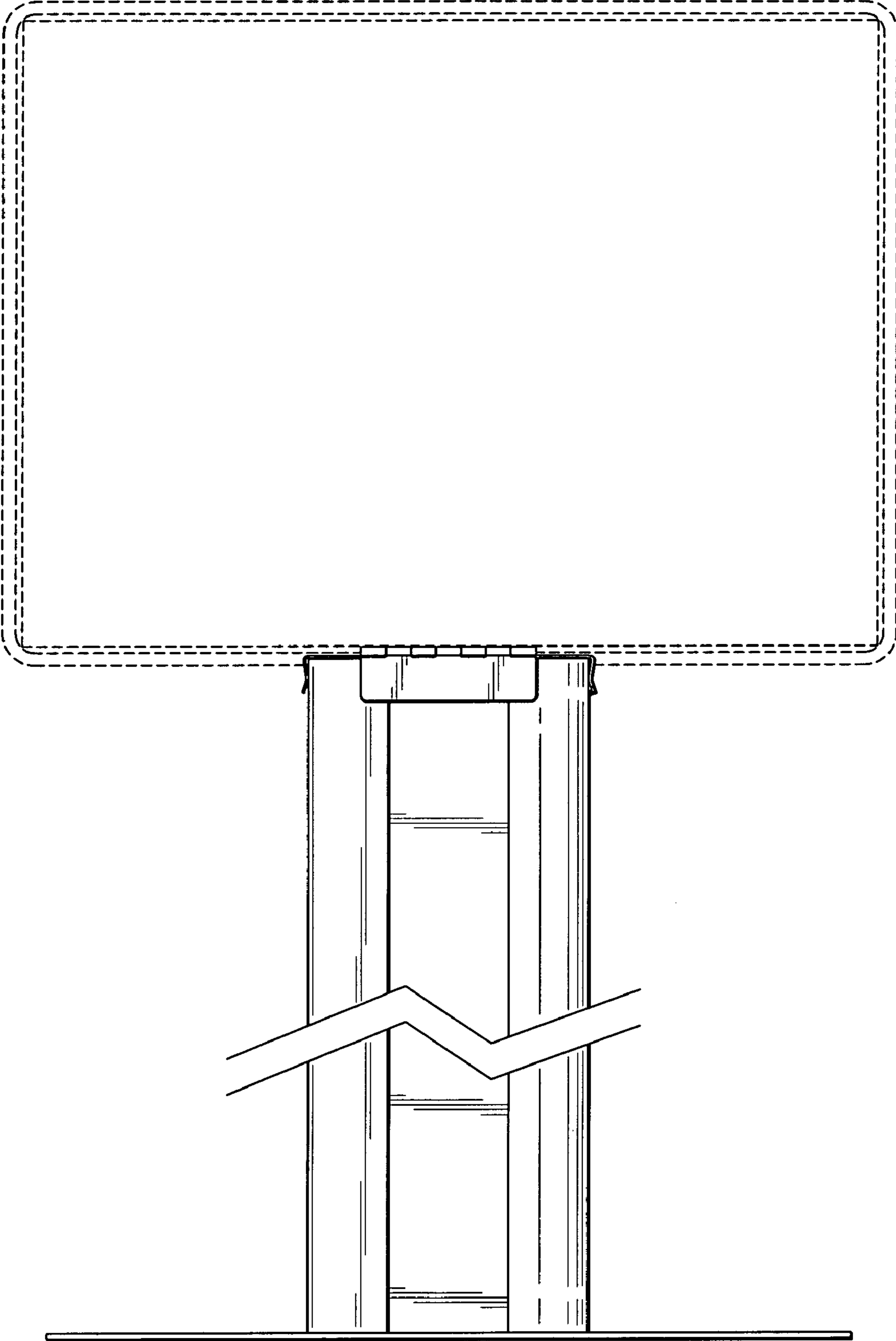


FIG.-5

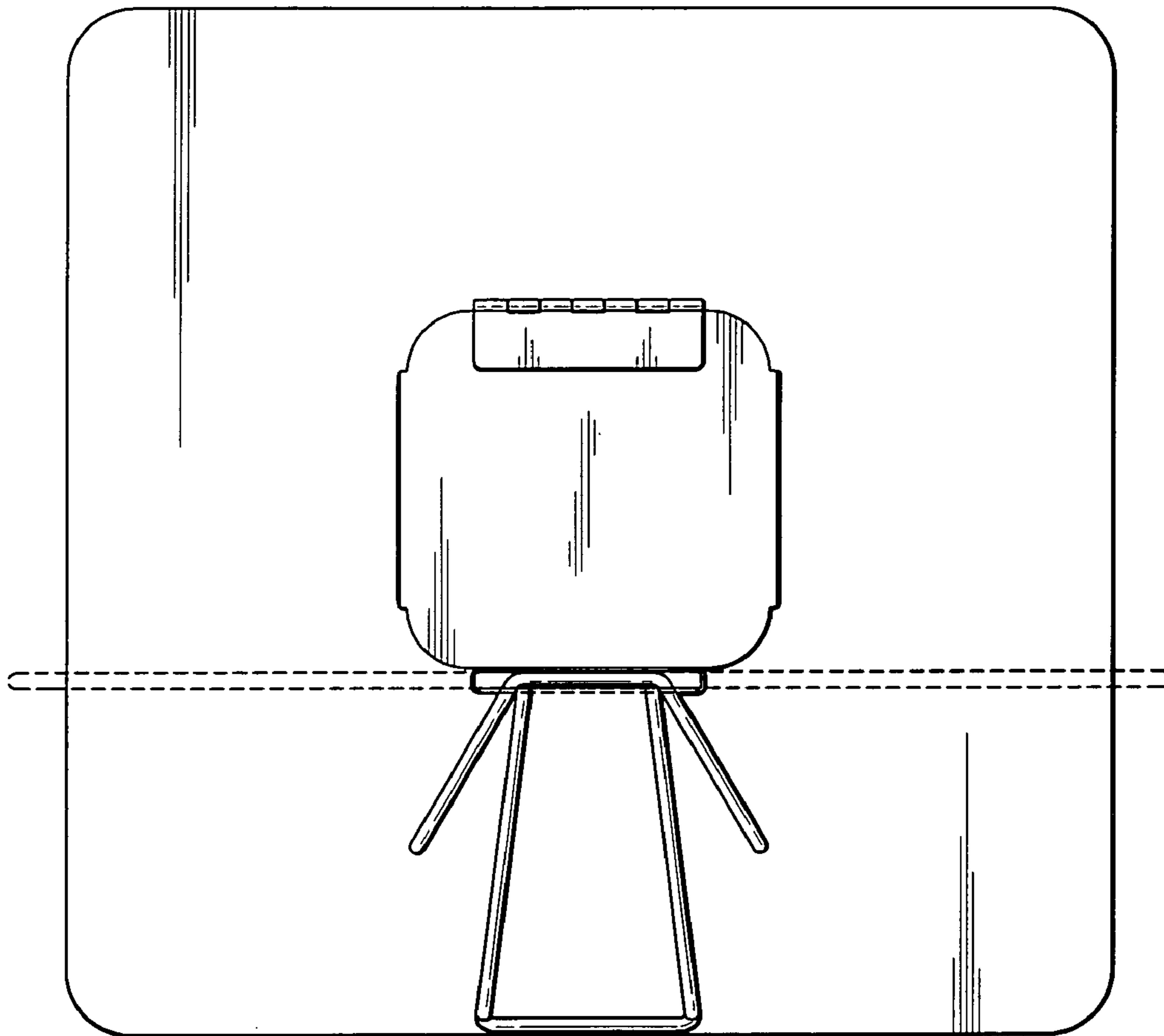


FIG.-6

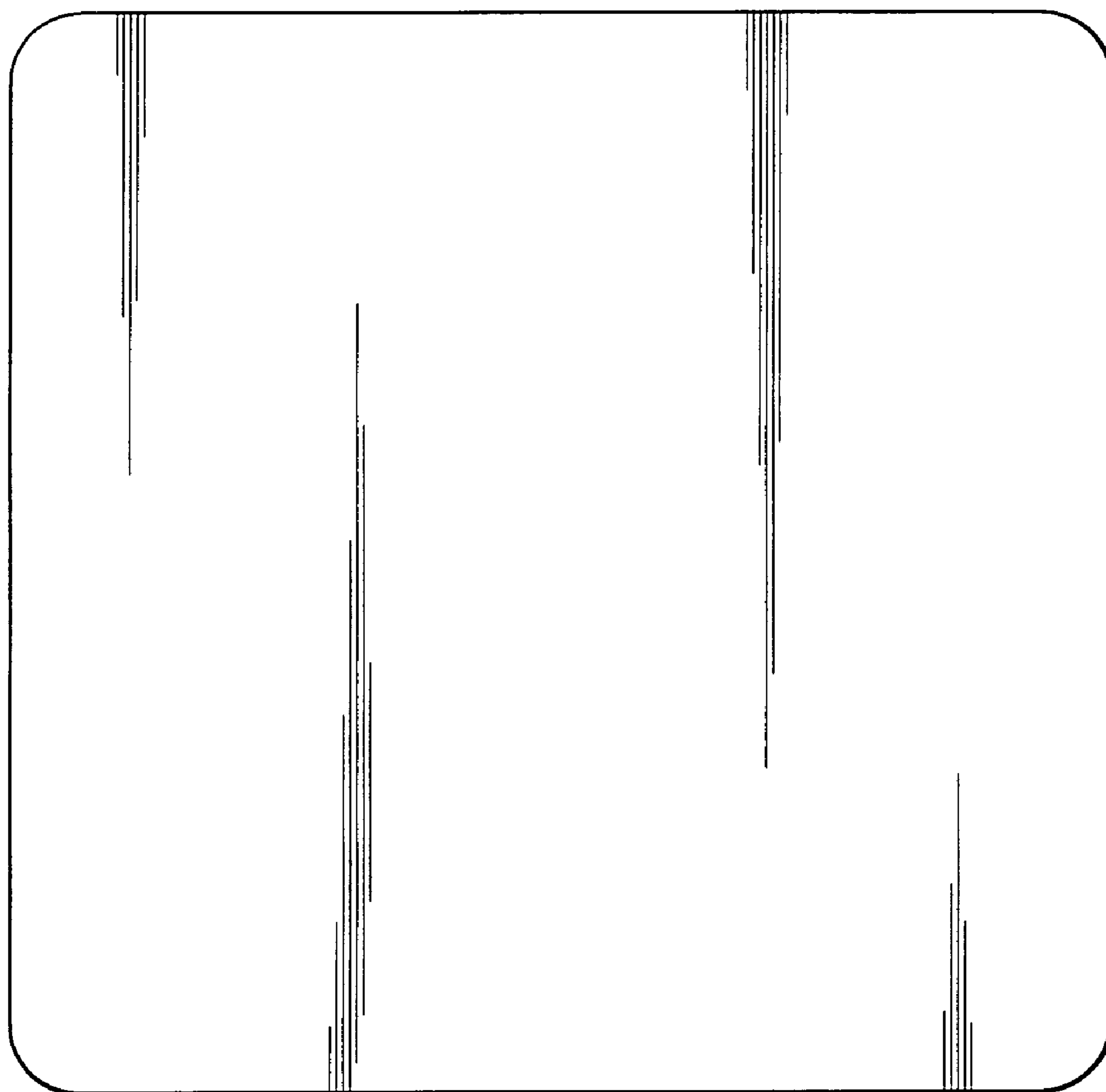


FIG.-7