



US00D581699S

(12) **United States Design Patent**  
**Harrison**

(10) **Patent No.:** **US D581,699 S**  
(45) **Date of Patent:** **\*\* Dec. 2, 2008**

(54) **STORAGE DEVICE FOR BOXED AND BOTTLED GOODS**

(76) Inventor: **Terrence Harrison**, 310 Christy Rd.,  
Eighty Four, PA (US) 15330

(\*\*) Term: **14 Years**

(21) Appl. No.: **29/288,500**

(22) Filed: **Jun. 13, 2007**

(51) **LOC (8) Cl.** ..... **06-04**

(52) **U.S. Cl.** ..... **D6/449**

(58) **Field of Classification Search** ..... D6/505,  
D6/480, 478, 476, 473, 471, 469, 468, 467,  
D6/466, 457, 454, 449, 436, 433, 429, 426,  
D6/425, 422, 419, 411, 409, 397, 396, 310,  
D6/300, 470, 455; D9/432, 455, 456; 206/765,  
206/533; 229/125.11; 211/72, 163, 131.1,  
211/10; D13/163, 164; D28/73; D7/501,  
D7/601, 590, 640

See application file for complete search history.

(56) **References Cited**

U.S. PATENT DOCUMENTS

1,878,302 A	9/1932	Tourtois	
2,281,849 A	5/1942	McCoppin	
2,553,880 A	5/1951	Stigler	
2,719,413 A	10/1955	Panzer	
2,723,763 A	11/1955	Panzer	
3,848,943 A	11/1974	Geesaman et al.	
4,083,452 A *	4/1978	Rossmo	206/533
D260,343 S *	8/1981	Blake et al.	D7/501
4,453,326 A	6/1984	Hoffman et al.	
D279,950 S	8/1985	Wan	
4,697,856 A	10/1987	Abraham	
4,753,340 A	6/1988	Blakeman et al.	
4,775,055 A	10/1988	Morse	
4,881,651 A	11/1989	Mimoun et al.	
4,915,239 A	4/1990	Persch	
D310,940 S	10/1990	Kastanek	
5,361,915 A	11/1994	Cohen et al.	
5,377,850 A	1/1995	Liaw	
D361,594 S *	8/1995	Salis	D19/35
D367,408 S	2/1996	Fordyce	
5,524,775 A	6/1996	Kaine	
D381,394 S *	7/1997	Lex et al.	D23/209

D407,753 S *	4/1999	Kwok	D19/77
5,921,394 A *	7/1999	Shroff	206/534
5,941,252 A	8/1999	Jenkins et al.	
D418,947 S	1/2000	Greiner	
6,029,028 A	2/2000	Inoue	
6,182,839 B1	2/2001	Robbins et al.	
6,189,711 B1	2/2001	Chang	
D438,674 S *	3/2001	Russell	D28/73
6,220,443 B1	4/2001	Damaskos	
D444,999 S	7/2001	Govrik et al.	
D454,982 S *	3/2002	Renfrew	D28/73
6,364,125 B1	4/2002	D'Angelo	
6,439,406 B1	8/2002	Duhon	
6,585,119 B2	7/2003	Palder	
6,588,609 B1	7/2003	Richet et al.	
D490,848 S	6/2004	Pope et al.	
6,742,674 B2	6/2004	Castleberry	
6,796,443 B2	9/2004	Lippman et al.	
D510,388 S	10/2005	Siegel	
7,156,226 B1	1/2007	Van Sickle	
D541,593 S *	5/2007	Kim	D7/601
D562,031 S *	2/2008	Riesenberg	D6/476
D566,770 S *	4/2008	Cetera	D19/77
D568,068 S *	5/2008	Riesenberg	D6/476
D575,986 S *	9/2008	Cetera	D7/501
2003/0121873 A1	7/2003	Lippman et al.	
2003/0196970 A1	10/2003	Jiang	
2003/0222042 A1	12/2003	Richet et al.	

\* cited by examiner

*Primary Examiner*—Cathron C Brooks

*Assistant Examiner*—Austin Murphy

(74) *Attorney, Agent, or Firm*—The Webb Law Firm

(57)

**CLAIM**

The ornamental design for a storage device for boxed and bottled goods, as shown and described.

**DESCRIPTION**

FIG. 1 is a perspective view of a storage device for boxed and bottled goods;

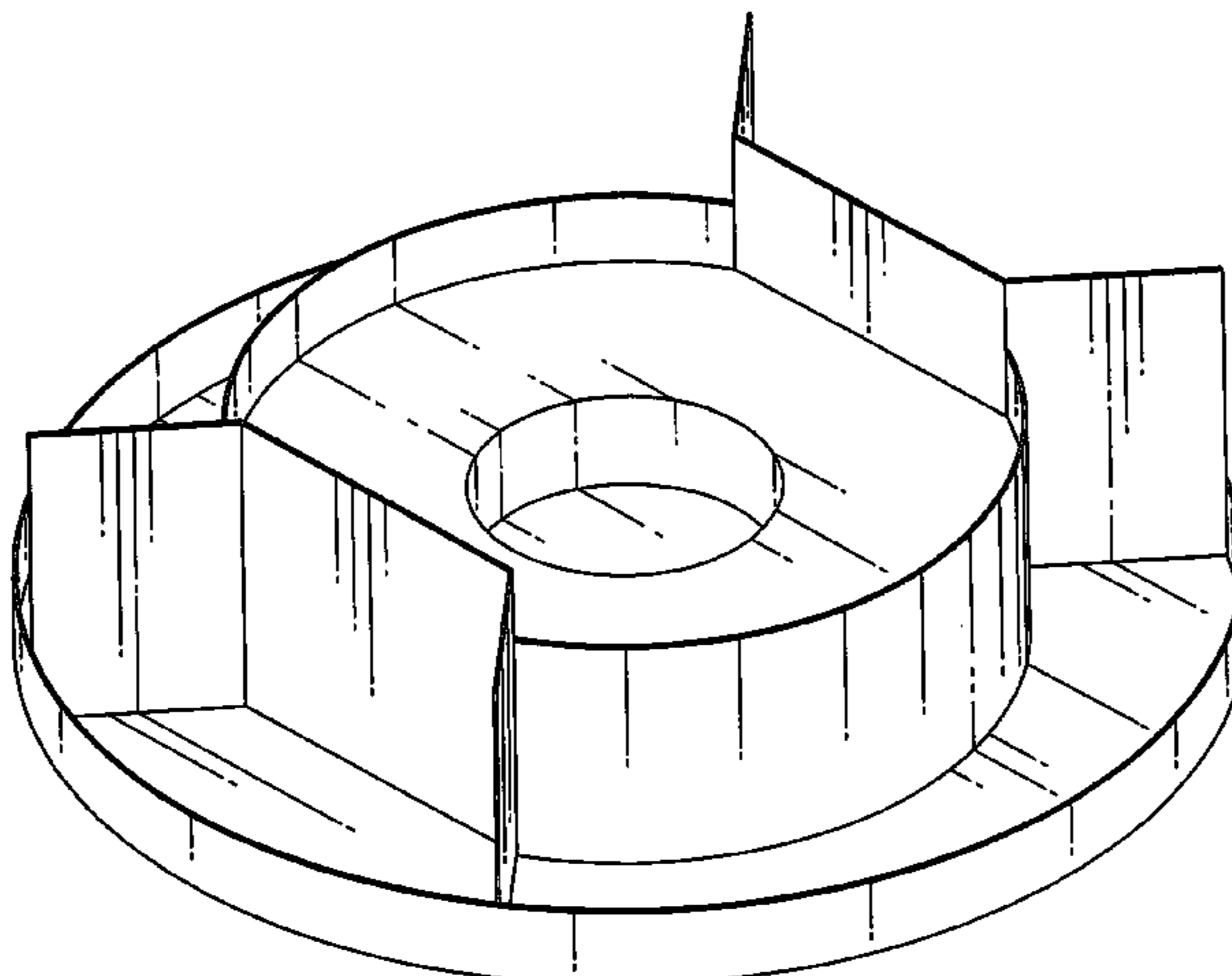
FIG. 2 is a top view of the storage device;

FIG. 3 is a front view of the storage device;

FIG. 4 is a side view of the storage device; and,

FIG. 5 is a bottom view of the storage device.

**1 Claim, 3 Drawing Sheets**



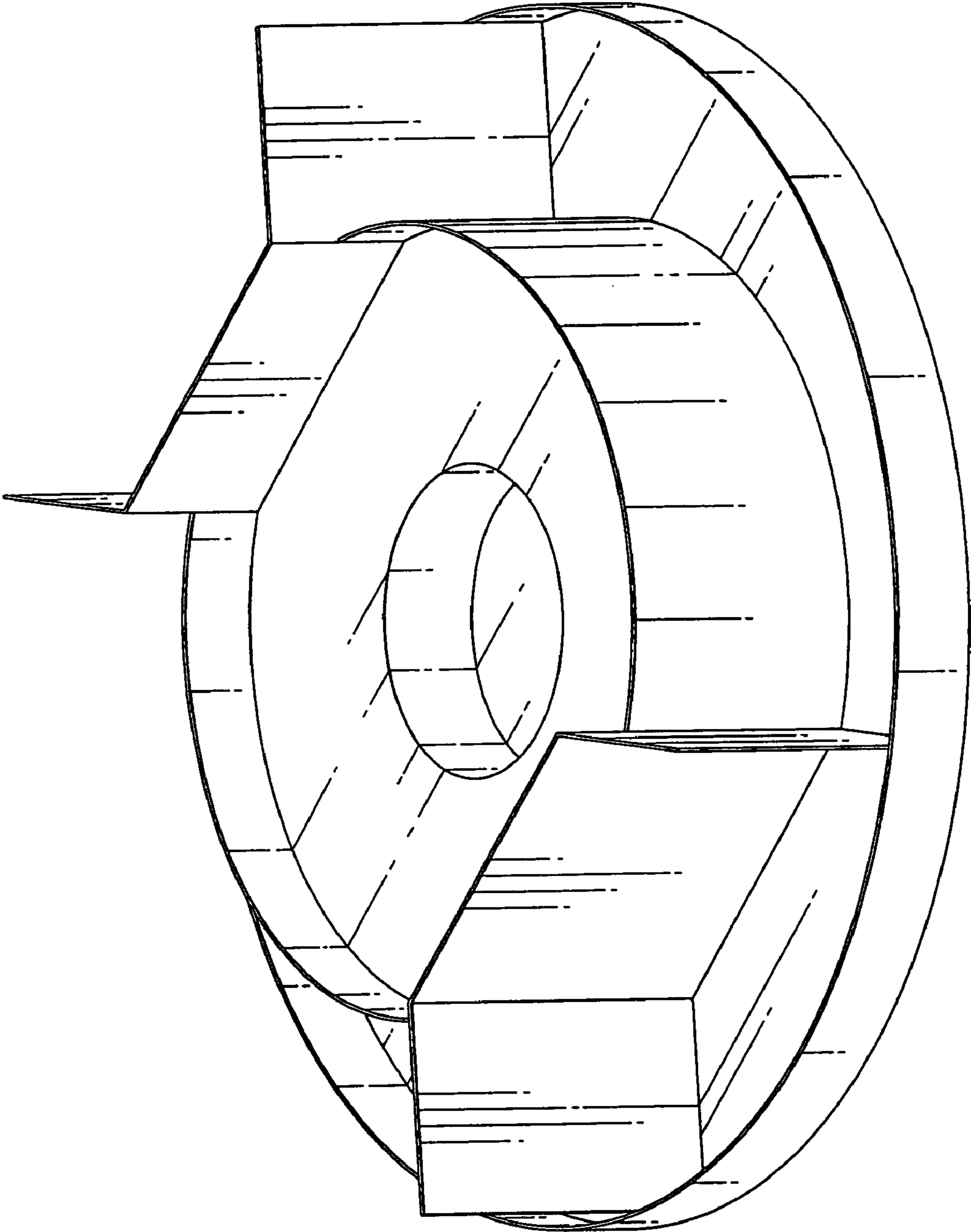
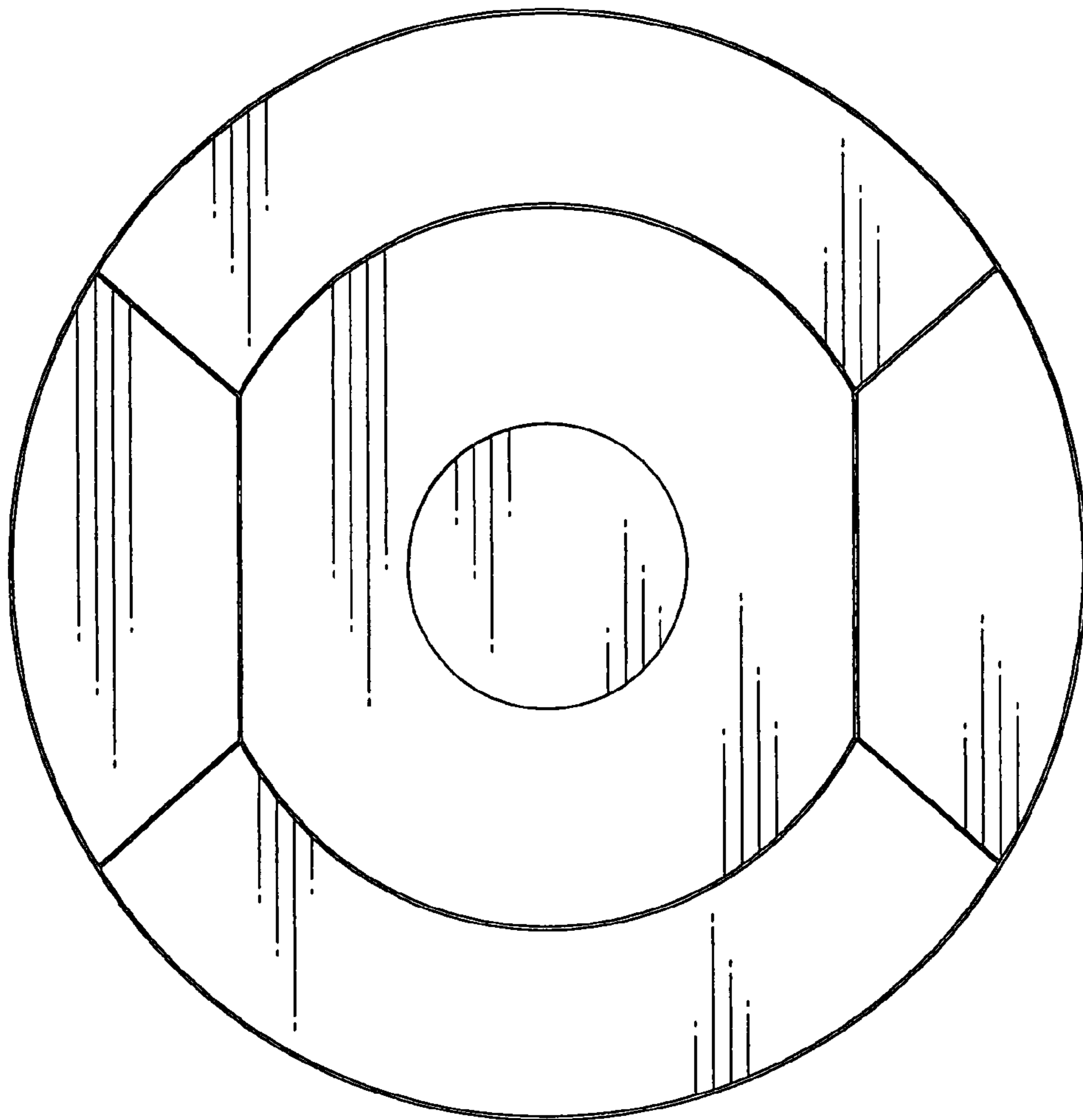
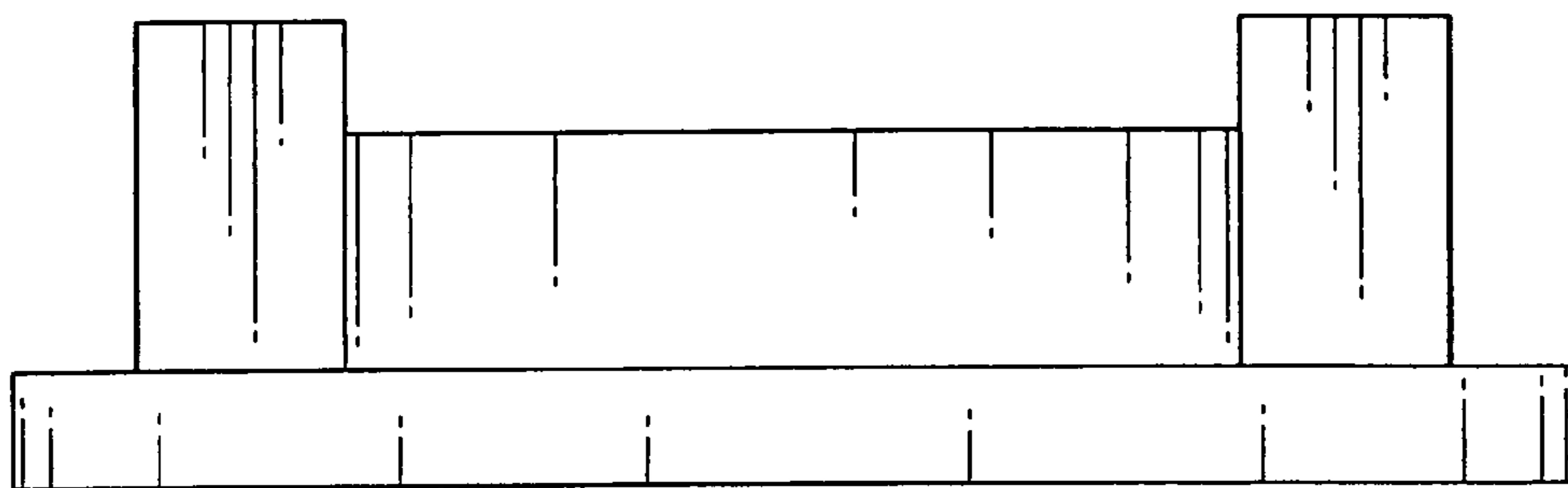


FIG. 1



*FIG. 2*



*FIG. 3*

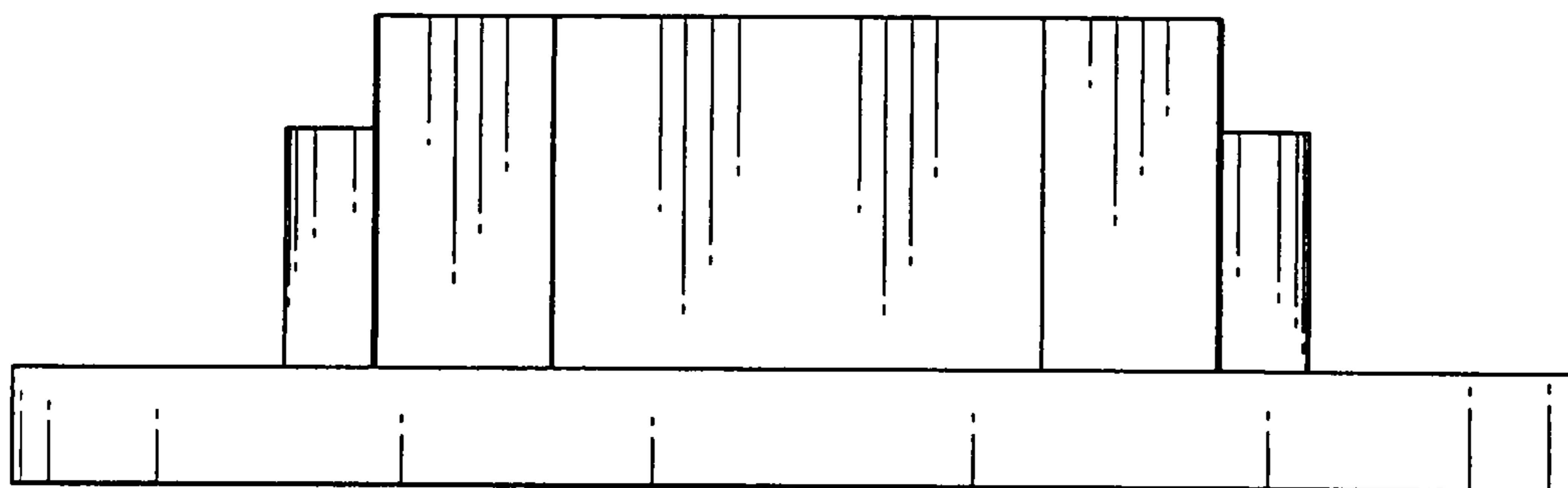


FIG. 4

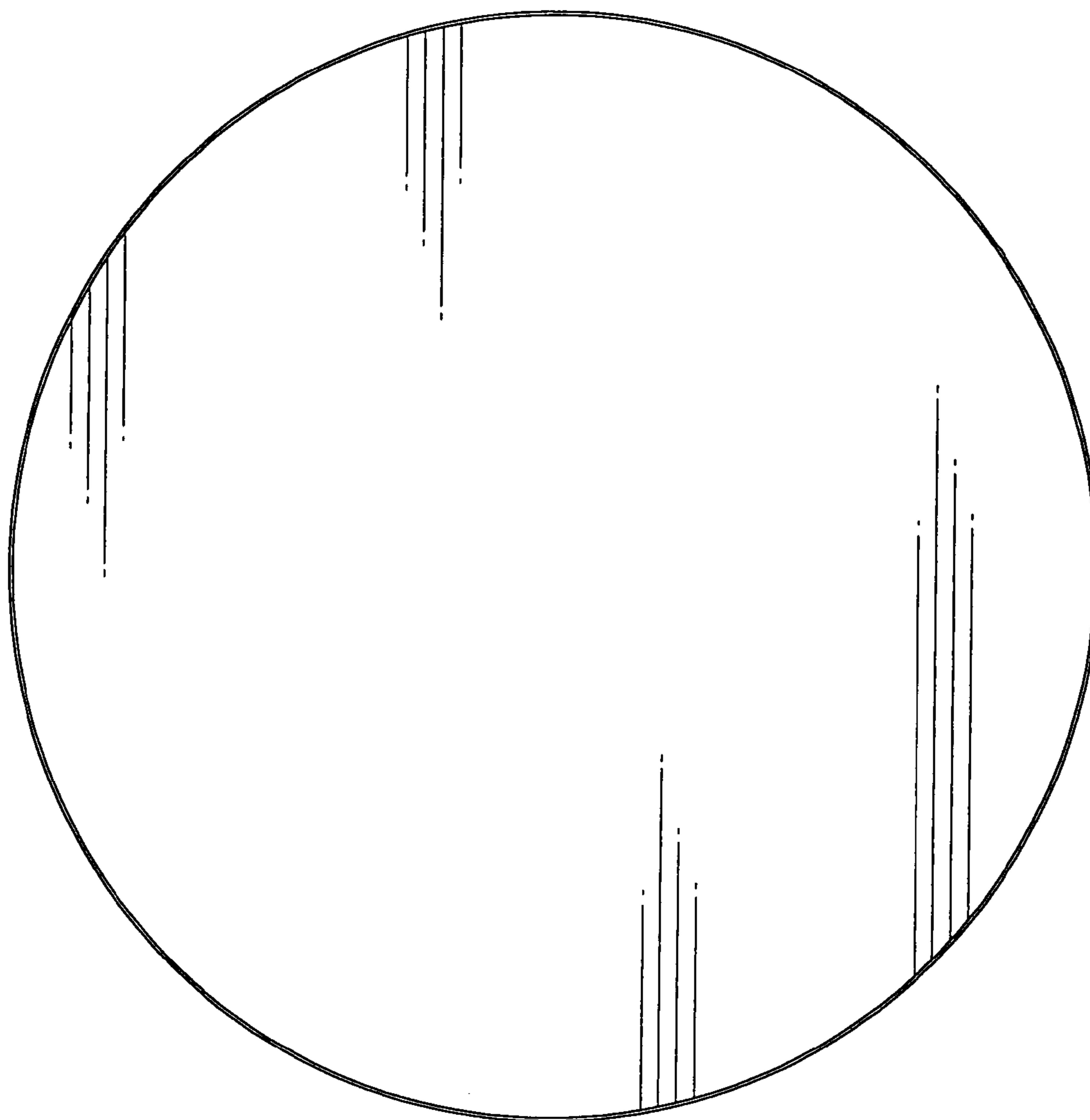


FIG. 5