



US00D581698S

(12) **United States Design Patent**  
**Fix**

(10) **Patent No.:** **US D581,698 S**

(45) **Date of Patent:** **\*\* Dec. 2, 2008**

(54) **SPEAKER STAND**

(75) Inventor: **Jerome C. Fix**, St. Louis, MO (US)

(73) Assignee: **Ameriwood Industries**, Wright City, MO (US)

(\*\*) Term: **14 Years**

(21) Appl. No.: **29/280,367**

(22) Filed: **May 24, 2007**

(51) **LOC (8) Cl.** ..... **06-04**

(52) **U.S. Cl.** ..... **D6/449**

(58) **Field of Classification Search** ..... D6/396,  
D6/419, 449, 451, 466, 474, 480–486, 495;  
381/87, 332; 181/198–199; 248/127, 146,  
248/176.1, 188.1, 188.2, 309.1, 346.01, 676–678,  
248/917; D14/151, 204, 211, 214, 221, 224  
See application file for complete search history.

(56) **References Cited**

**U.S. PATENT DOCUMENTS**

- 4,078,757 A \* 3/1978 Waters ..... 248/441.1
- D294,786 S \* 3/1988 Bossett, Jr. .... D6/450
- D318,280 S \* 7/1991 Sumrell et al. .... D14/224
- D318,672 S \* 7/1991 Derain ..... D14/224
- D328,898 S \* 8/1992 Christie ..... D14/211
- 5,362,019 A \* 11/1994 Swanson ..... 248/146

- D355,317 S \* 2/1995 Gutgsell ..... D6/495
- D360,887 S \* 8/1995 Karnaze ..... D14/224
- D400,735 S \* 11/1998 House et al. .... D6/466
- D454,263 S \* 3/2002 Worrall ..... D6/449
- D488,803 S \* 4/2004 Chin et al. .... D14/224

\* cited by examiner

*Primary Examiner*—Caron D. Veynar

*Assistant Examiner*—Abraham Bahta

(74) *Attorney, Agent, or Firm*—Chase Law Firm, L.C.

(57) **CLAIM**

The ornamental design for a speaker stand, as shown and described.

**DESCRIPTION**

FIG. 1 is a front elevational view of the speaker stand showing my new design;

FIG. 2 is a right side elevational view of FIG. 1, the left side view being a mirror image thereof;

FIG. 3 is a top view of FIG. 1;

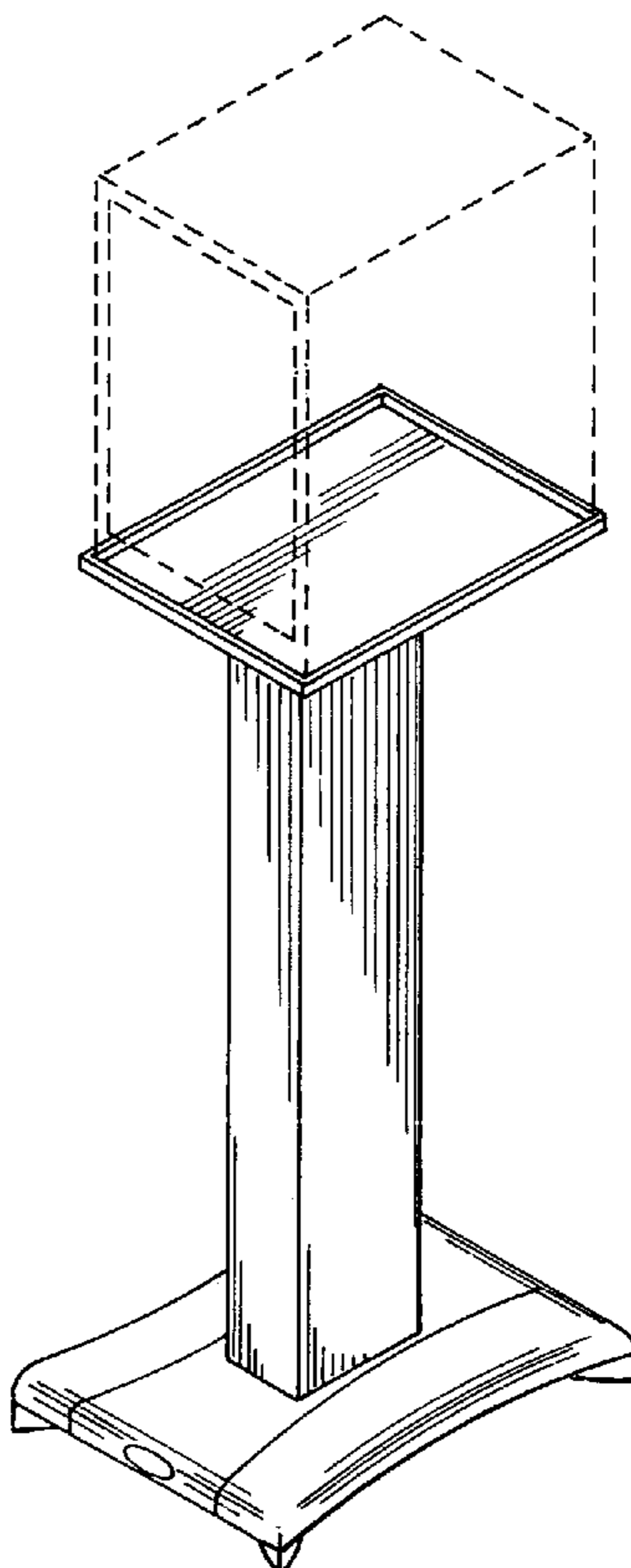
FIG. 4 is a top view of FIG. 1, with the pedestal removed;

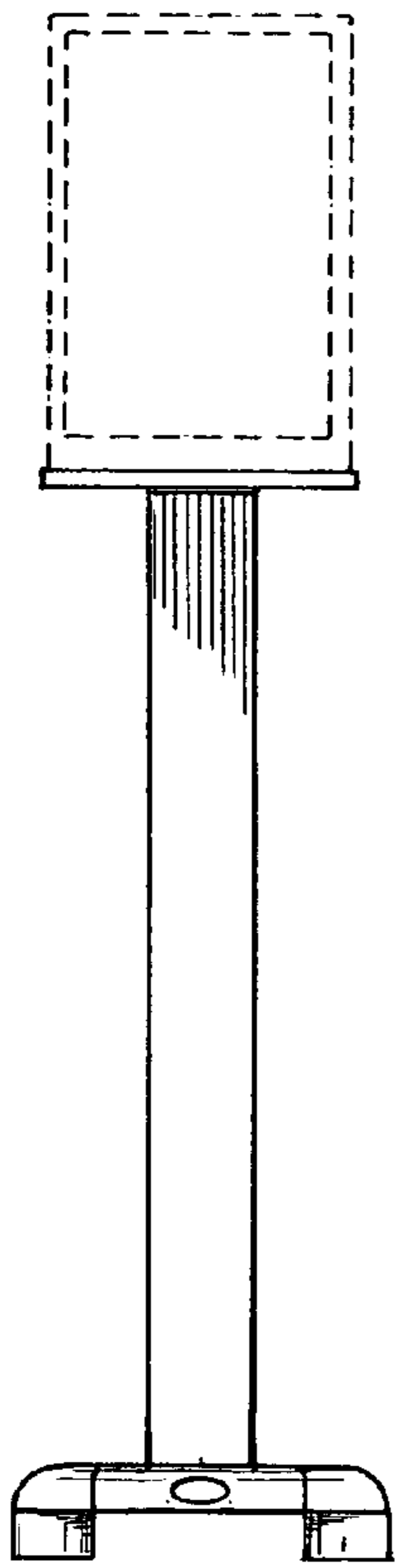
FIG. 5 is a bottom view of FIG. 1; and,

FIG. 6 is a perspective view of FIG. 1.

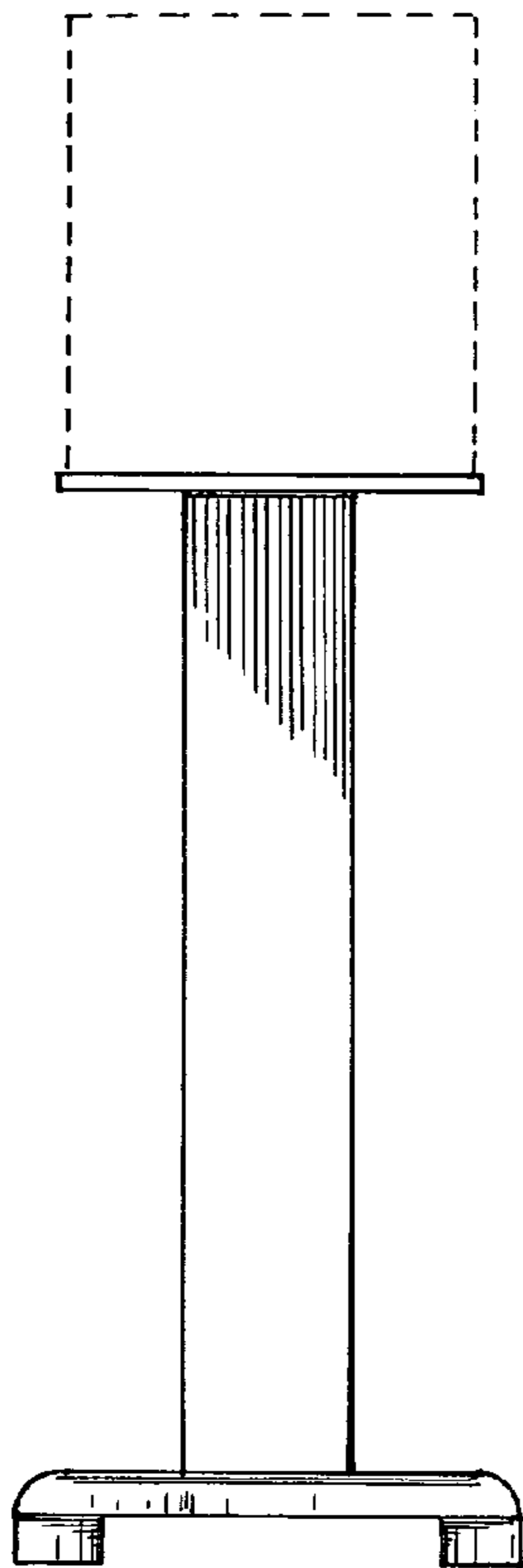
The broken lines shown in FIGS. 1, 2 and 6 are for illustrative purposes only and form no part of the claimed design.

**1 Claim, 1 Drawing Sheet**

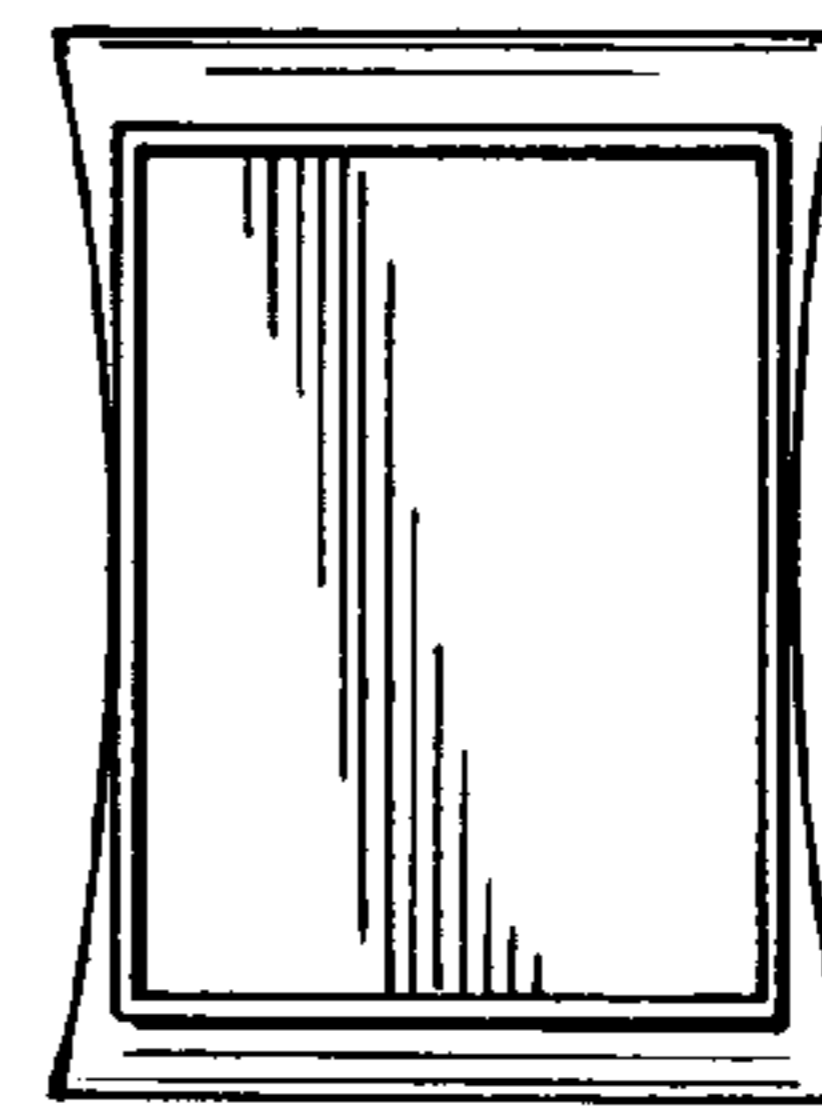




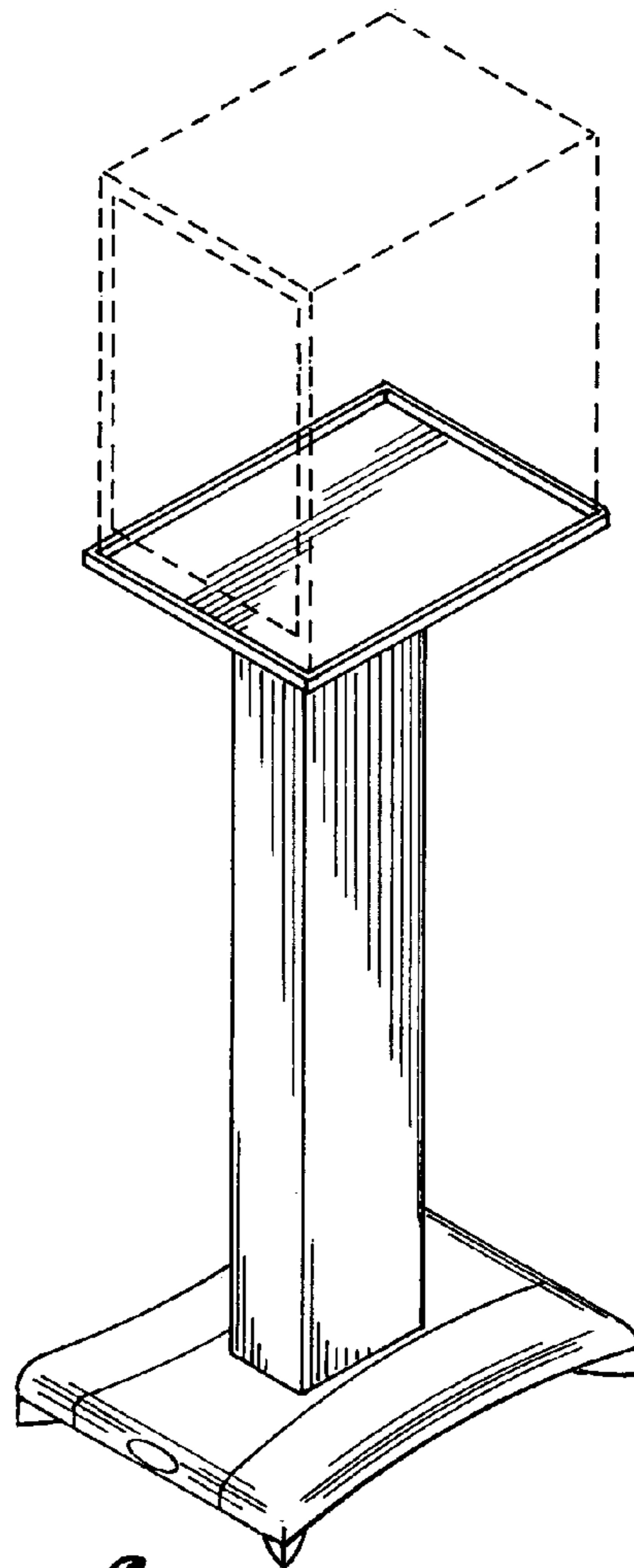
*Fig. 1*



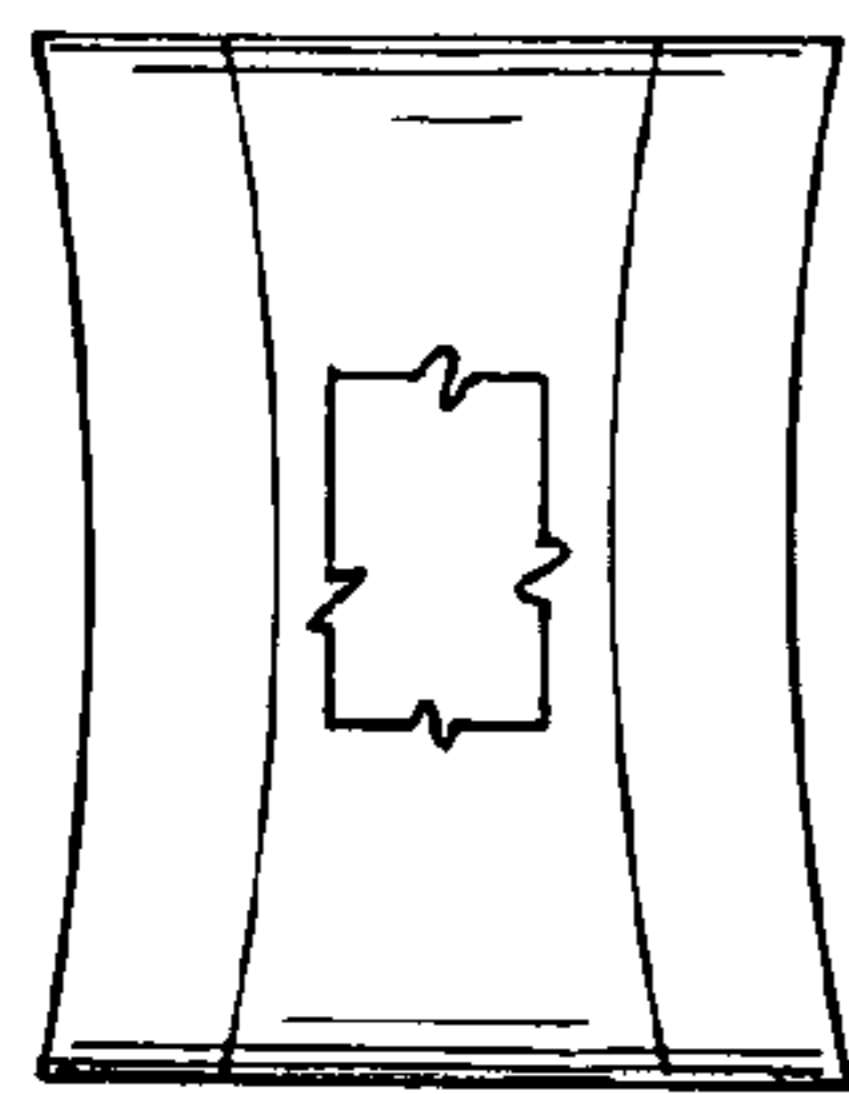
*Fig. 2*



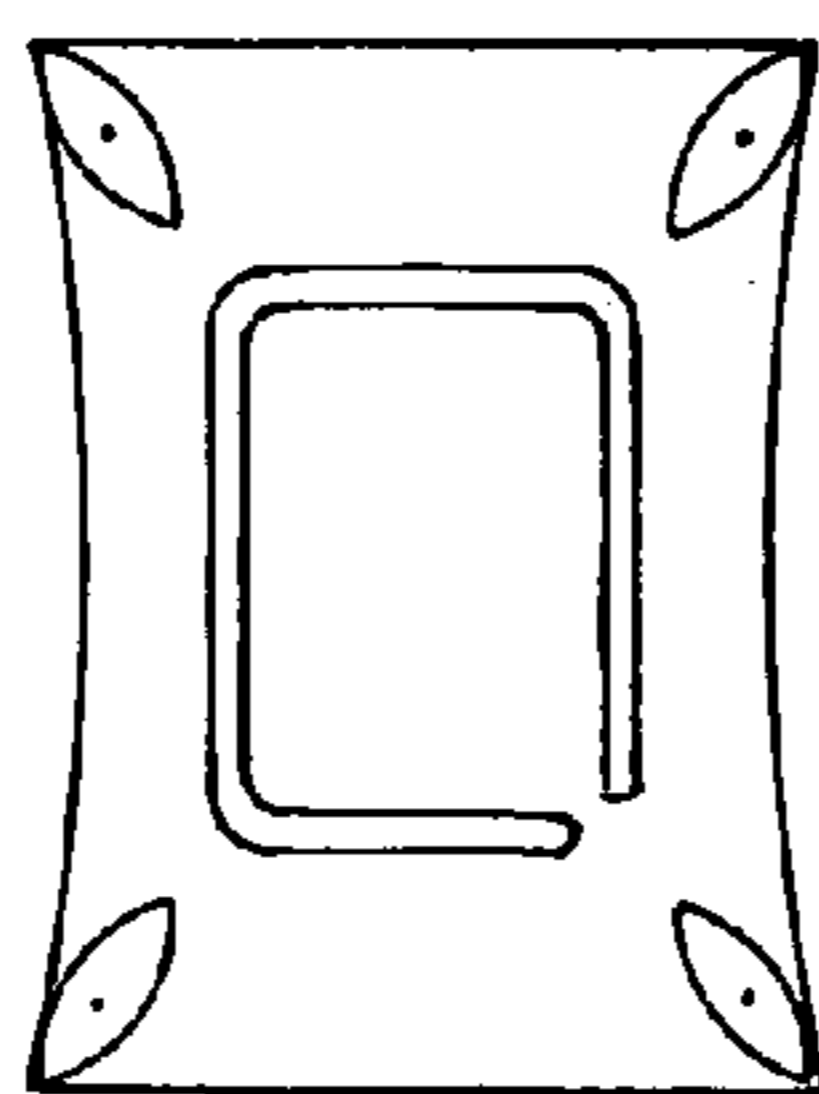
*Fig. 3*



*Fig. 6*



*Fig. 4*



*Fig. 5*