



US00D581696S

(12) **United States Design Patent**  
**Malley et al.**

(10) **Patent No.:** **US D581,696 S**  
(45) **Date of Patent:** **\*\* Dec. 2, 2008**

- (54) **TOOL CHEST**
- (75) Inventors: **John P. Malley**, Cedar Falls, IA (US);  
**Daniel L. Jackson**, Center Point, IA (US)
- (73) Assignee: **Waterloo Industries, Inc.**, Oak Creek, WI (US)
- (\*\*) Term: **14 Years**
- (21) Appl. No.: **29/279,856**
- (22) Filed: **May 9, 2007**
- (51) **LOC (8) Cl.** ..... **06-04**
- (52) **U.S. Cl.** ..... **D6/445; D6/441; D6/510**
- (58) **Field of Classification Search** ..... D6/396,  
D6/397, 432-448, 510; D3/275, 294-297,  
D3/903, 904, 905; 312/107, 117, 125, 204,  
312/209, 224, 249.1, 249.11, 249.12, 257.1,  
312/308

See application file for complete search history.

(56) **References Cited**

**U.S. PATENT DOCUMENTS**

- D205,522 S 8/1966 Doman
- D218,080 S 7/1970 Sierzega
- D229,262 S \* 11/1973 Pearson ..... D6/433
- 4,120,549 A 10/1978 Bureau
- D327,967 S 7/1992 Hikawa
- D341,253 S 11/1993 Ballman et al.
- 5,332,305 A 7/1994 Slivon et al.
- 5,443,311 A 8/1995 Kadlecek et al.
- D361,910 S 9/1995 Maple et al.
- D370,342 S 6/1996 Gwyther
- D370,572 S 6/1996 Lin
- D372,378 S 8/1996 Kruger
- 5,607,214 A 3/1997 Pierce et al.
- D381,166 S 7/1997 Bonazza
- D385,722 S 11/1997 Yemini
- D386,626 S 11/1997 Yemini
- 5,720,535 A 2/1998 Mehman
- D393,541 S 4/1998 Calmeise
- 5,857,757 A 1/1999 Bieker et al.
- D423,818 S 5/2000 Holcomb et al.
- D427,807 S 7/2000 Holcomb et al.
- 6,109,709 A 8/2000 Holcomb et al.

- D430,426 S 9/2000 Bieker et al.
- 6,176,559 B1 1/2001 Tiramani et al.
- D448,168 S 9/2001 Johnston
- D449,181 S 10/2001 Story et al.
- D453,074 S 1/2002 Johnston
- 6,347,847 B1 2/2002 Tiramani et al.
- D455,902 S 4/2002 Wolf
- D457,704 S 5/2002 Fiscus et al.
- D470,687 S 2/2003 Binse et al.
- D505,237 S 5/2005 Schmidt et al.
- D506,090 S 6/2005 Ben-Or
- D514,854 S 2/2006 Schmidt et al.
- D517,805 S 3/2006 Hosking
- D520,784 S 5/2006 Schmidt et al.
- D526,782 S 8/2006 Hosking
- D536,202 S \* 2/2007 Mehmen et al. .... D6/509
- D544,259 S \* 6/2007 Schmidt et al. .... D6/510
- D547,160 S 7/2007 Hand et al.
- D563,119 S \* 3/2008 Malley et al. .... D6/445
- D563,120 S \* 3/2008 Malley et al. .... D6/445
- D573,792 S \* 7/2008 Hand ..... D3/297
- 2002/0030425 A1 3/2002 Tiramani et al.
- 2002/0074905 A1 6/2002 Tiramani et al.

\* cited by examiner

*Primary Examiner*—Mimosa De

(74) *Attorney, Agent, or Firm*—Calfee, Halter & Griswold LLP

(57) **CLAIM**

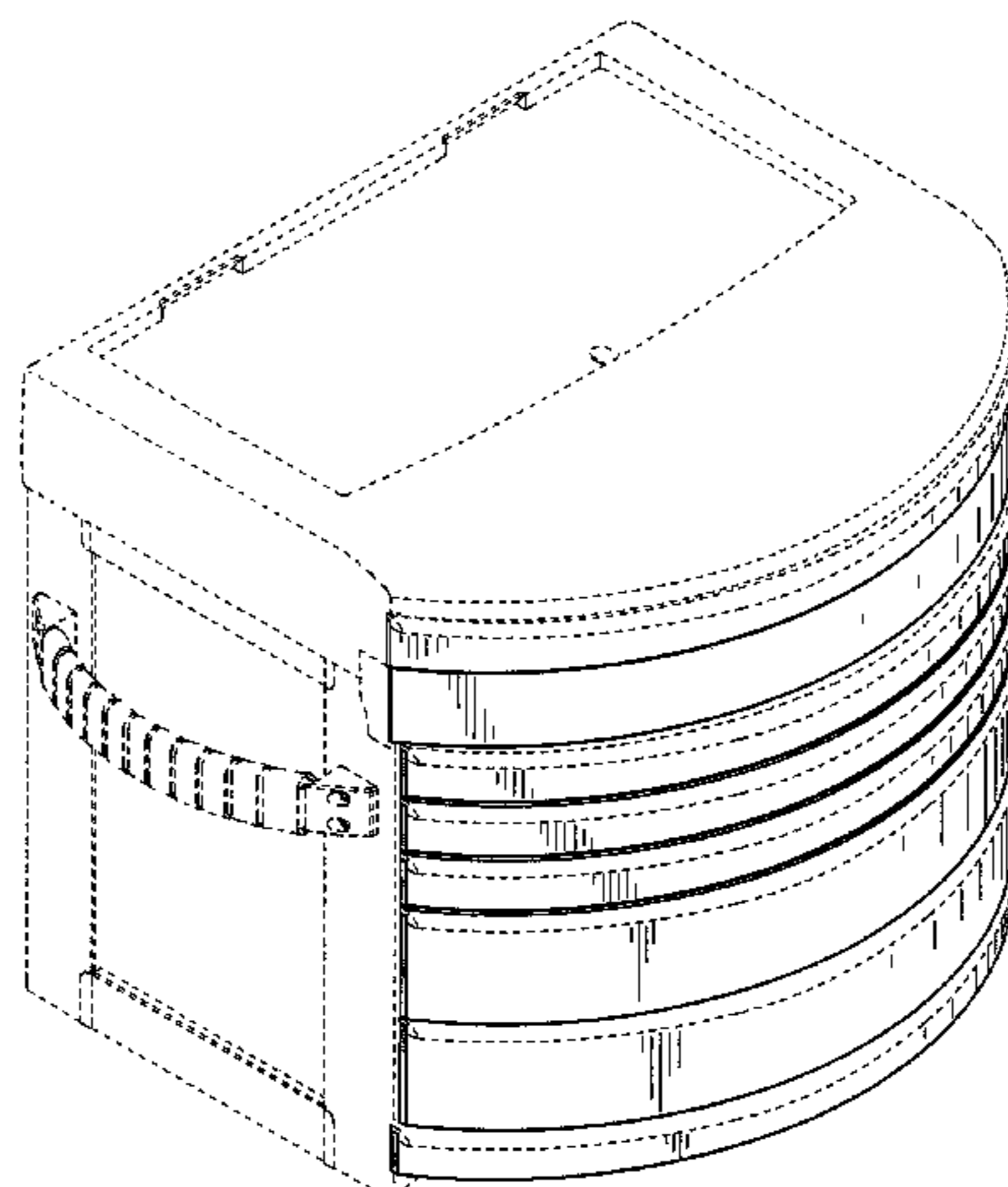
We claim the ornamental design for a tool chest, as shown and described.

**DESCRIPTION**

FIG. 1 is a perspective view of a tool chest of the new design;  
 FIG. 2 is a front elevation view of the tool chest of FIG. 1;  
 FIG. 3 is a rear view of the tool chest of FIG. 1;  
 FIG. 4 is a left side view of the tool chest of FIG. 1;  
 FIG. 5 is a right side view of the tool chest of FIG. 1;  
 FIG. 6 is a top view of the tool chest of FIG. 1; and  
 FIG. 7 is a bottom view of the tool chest of FIG. 1.

The portions of the Figures shown in phantom lines form no part of the claimed design and for illustrative purposes only.

**1 Claim, 4 Drawing Sheets ,**



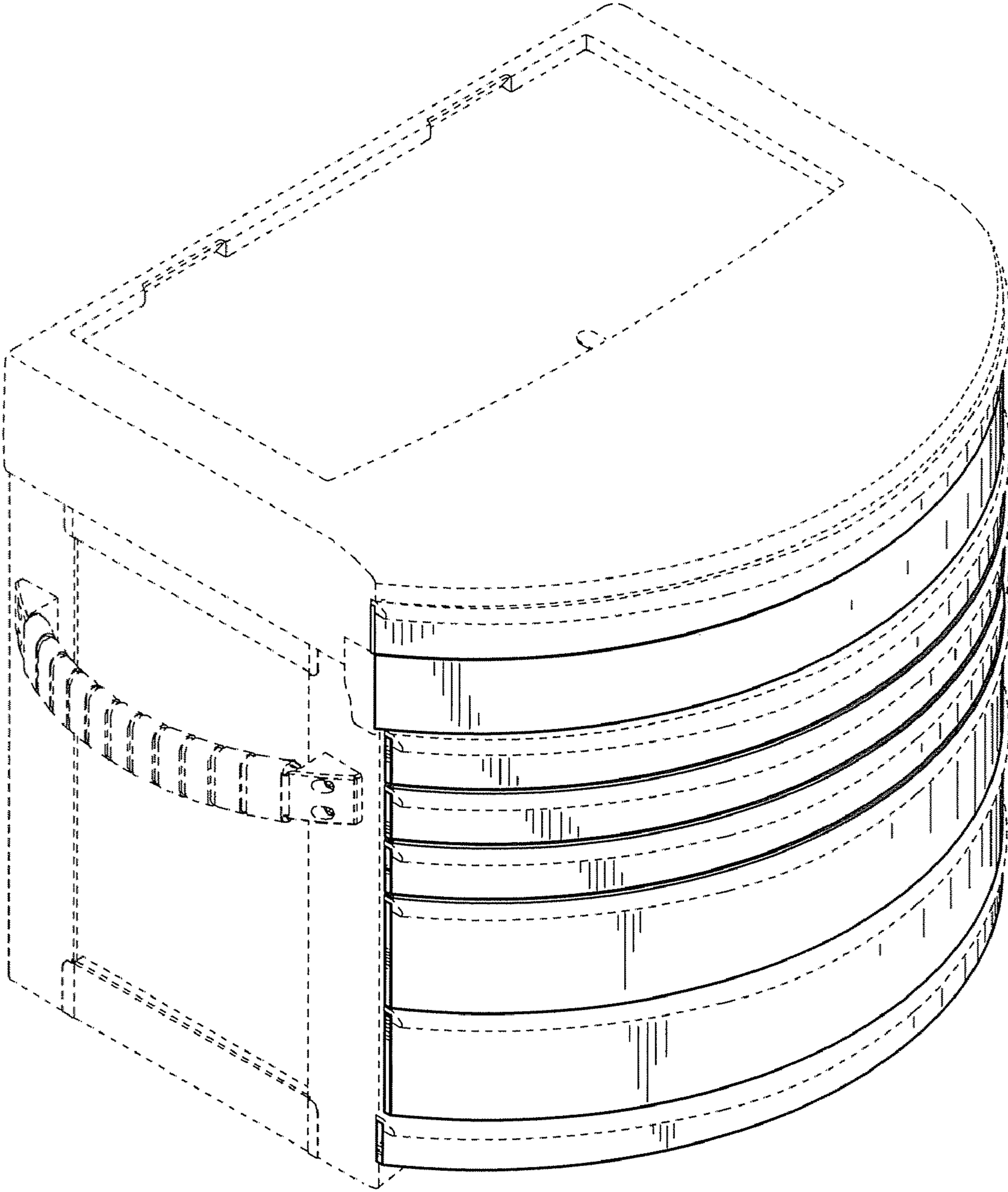


Fig. 1

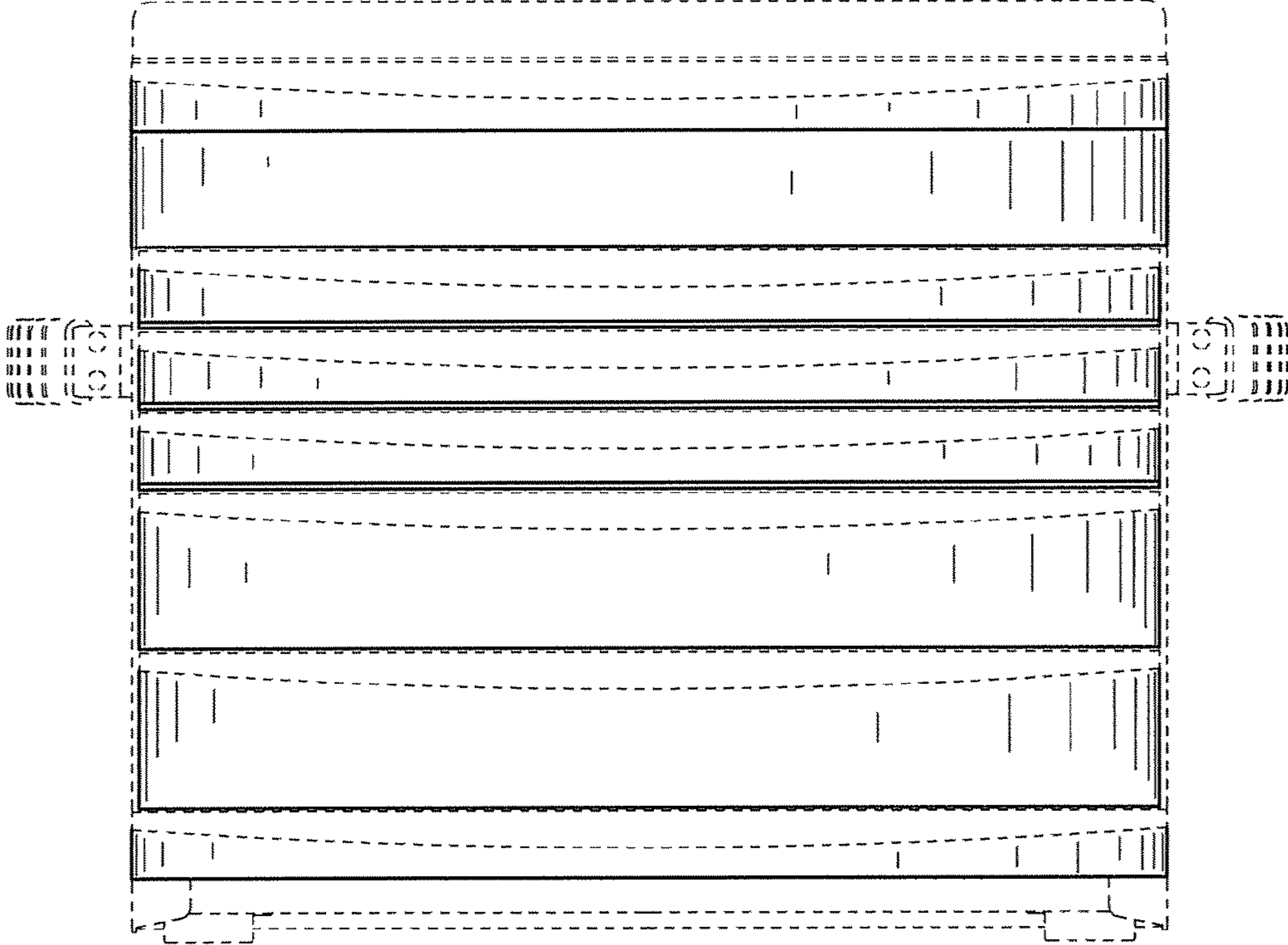


Fig. 2

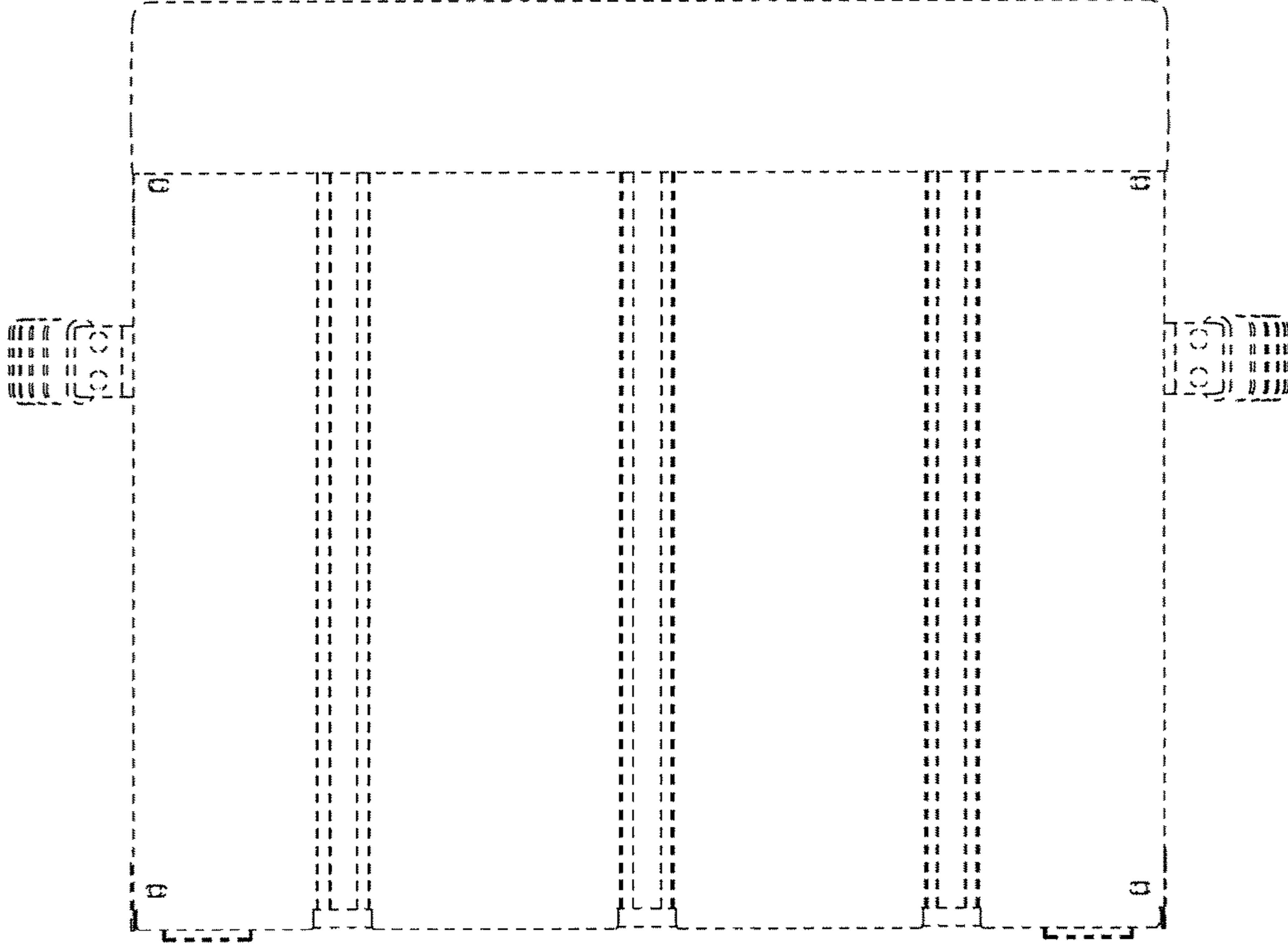


Fig. 3

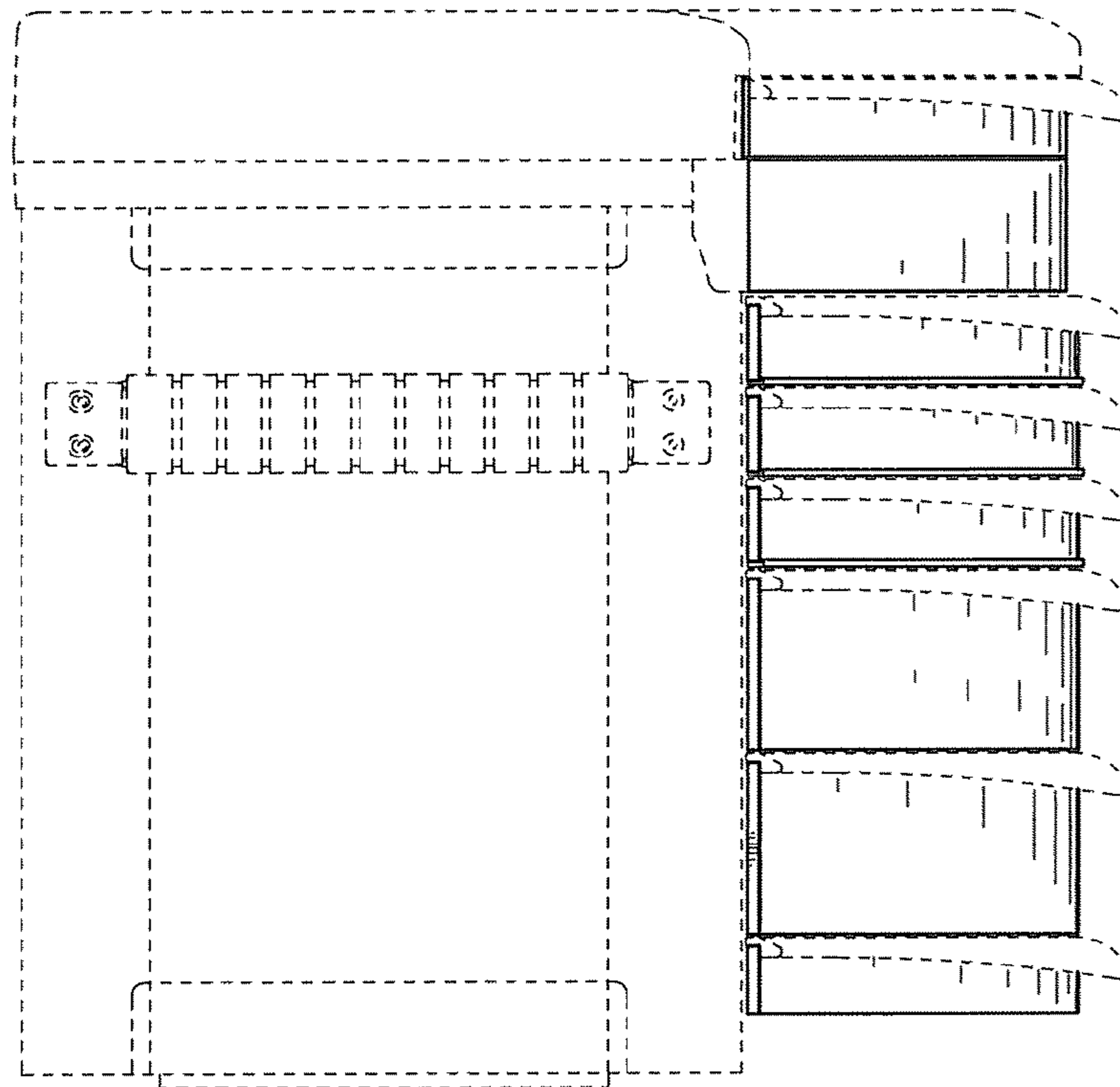


Fig. 4

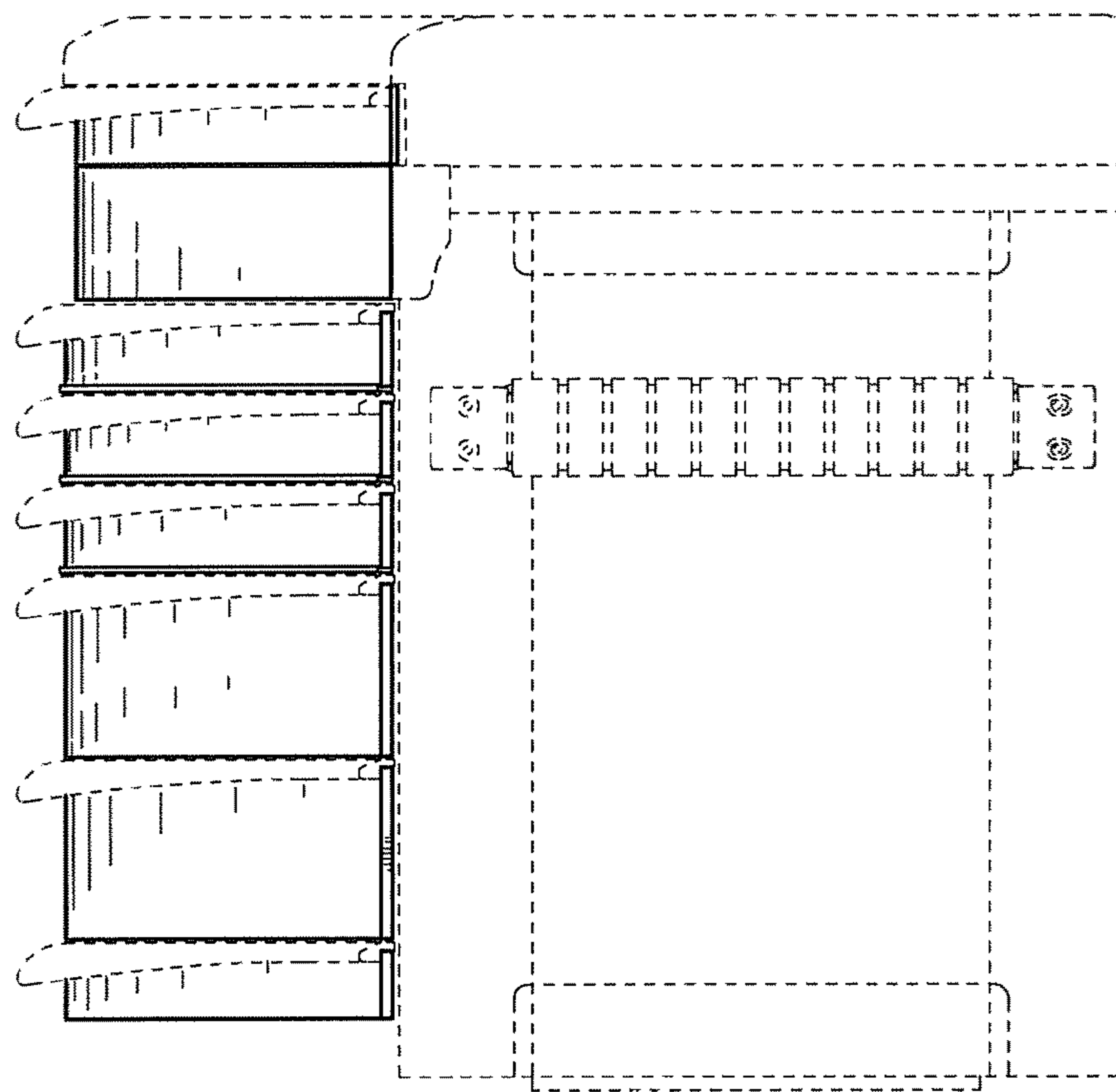


Fig. 5

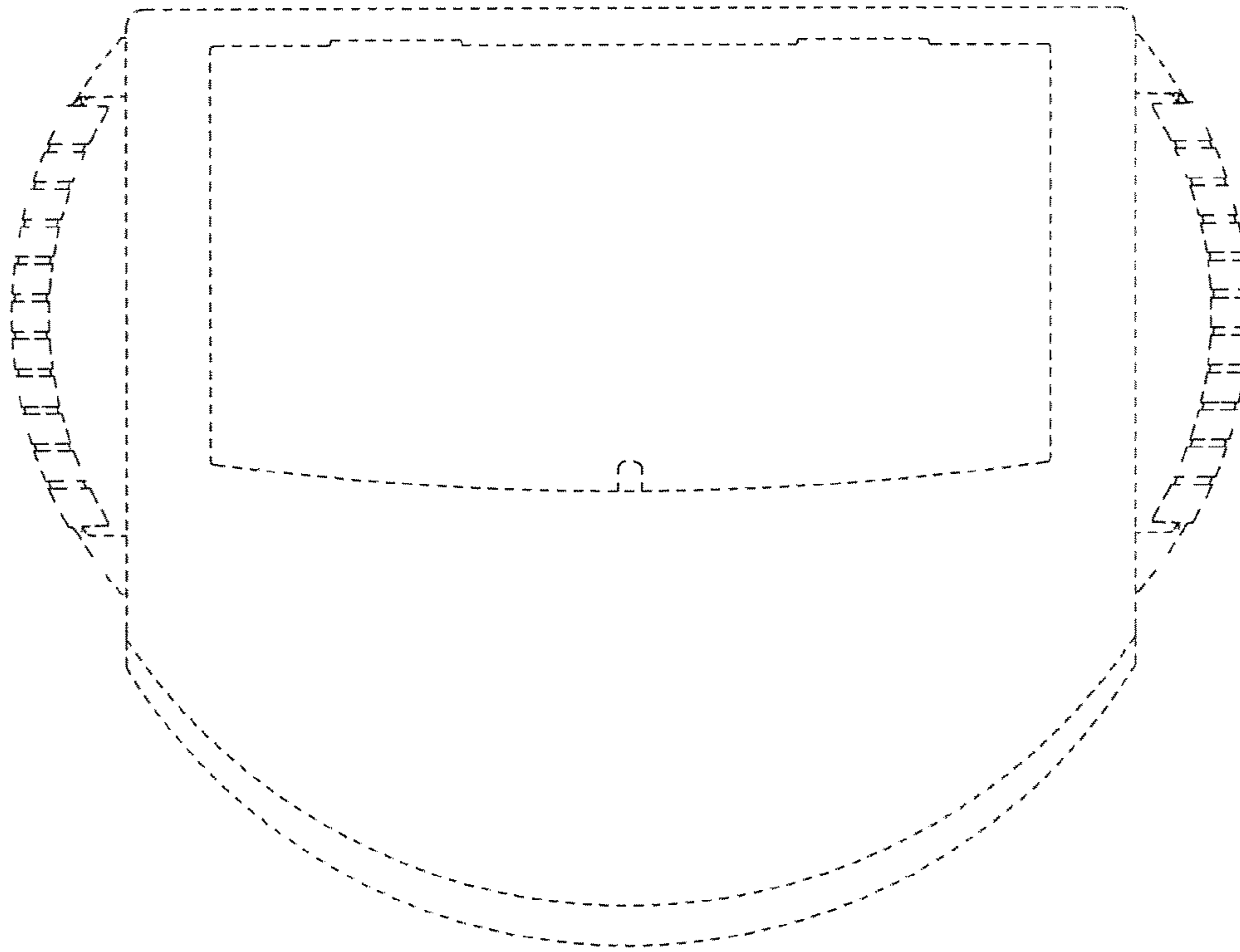


Fig. 6

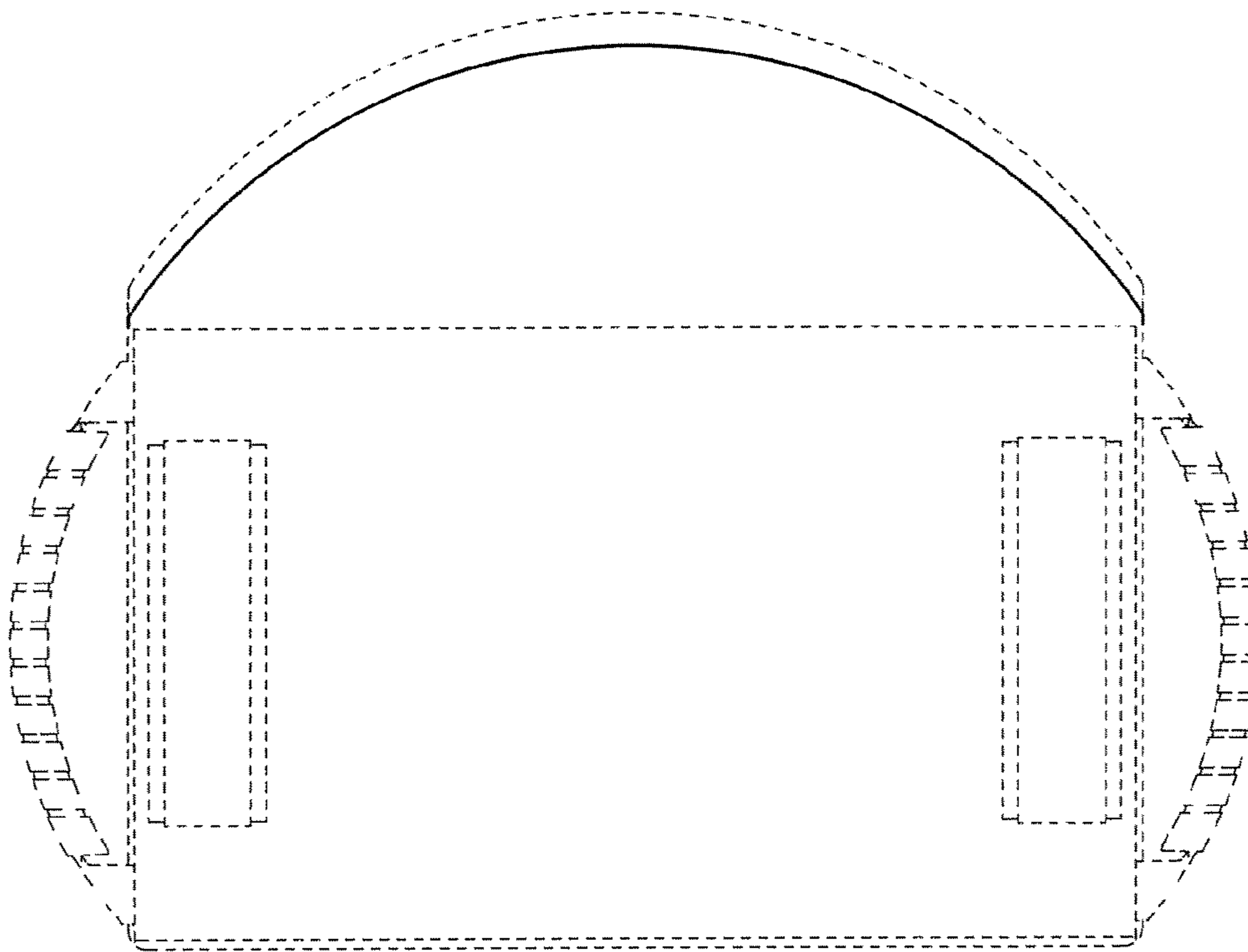


Fig. 7