

US00D581689S

(12) **United States Design Patent**  
**Marini**

(10) **Patent No.:** **US D581,689 S**  
(45) **Date of Patent:** **\*\* Dec. 2, 2008**

(54) **CHAIR**

(75) Inventor: **Conrad Marini**, Woodbridge (CA)

(73) Assignee: **HNI Technologies Inc.**, Muscatine, IA  
(US)

(\*\*) Term: **14 Years**

(21) Appl. No.: **29/284,853**

(22) Filed: **Sep. 17, 2007**

D464,495 S	10/2002	Chu	
D469,971 S	2/2003	Piretti	
D475,211 S *	6/2003	Neil .....	D6/374
D475,544 S	6/2003	Chadwick et al.	
D476,495 S	7/2003	Tsai	
D505,801 S *	6/2005	Cesaroni et al. ....	D6/379
D513,134 S	12/2005	Asano et al.	
D513,457 S	1/2006	Asano et al.	
D513,670 S	1/2006	Yamagata	
D513,902 S *	1/2006	Piretti .....	D6/380
D515,331 S	2/2006	Piretti	
D517,828 S	3/2006	Magnani et al.	
D519,292 S *	4/2006	Ashby .....	D6/368
D519,294 S *	4/2006	Frenkler et al. ....	D6/375

**Related U.S. Application Data**

(62) Division of application No. 29/247,216, filed on Jun. 6, 2006, now abandoned.

(51) **LOC (8) Cl.** ..... **06-01**

(52) **U.S. Cl.** ..... **D6/380**

(58) **Field of Classification Search** ..... D6/334-335,  
D6/379-380, 374-376, 364, 500-502; 297/239,  
297/445.1, 446.1, 452.18, 452.2

See application file for complete search history.

(56) **References Cited**

**U.S. PATENT DOCUMENTS**

D75,519 S	6/1928	Salomon	
D344,196 S *	2/1994	Snodgrass et al. ....	D6/380
D355,080 S *	2/1995	Lucci et al. ....	D6/372
D374,129 S *	10/1996	Timmons .....	D6/373
D418,322 S *	1/2000	Hock .....	D6/374
D433,578 S *	11/2000	Saul .....	D6/373
D447,353 S	9/2001	Peloquin	
D455,571 S *	4/2002	Van De Riet et al. ....	D6/374
D456,164 S *	4/2002	Vanderiet et al. ....	D6/374

\* cited by examiner

*Primary Examiner*—Caron Veynar

*Assistant Examiner*—Abraham Bahta

(74) *Attorney, Agent, or Firm*—Faegre & Benson, LLP

(57) **CLAIM**

The ornamental design for a chair, as shown and described.

**DESCRIPTION**

FIG. 1 is a perspective view of the chair showing my new design;

FIG. 2 is a front view thereof;

FIG. 3 is a side view thereof;

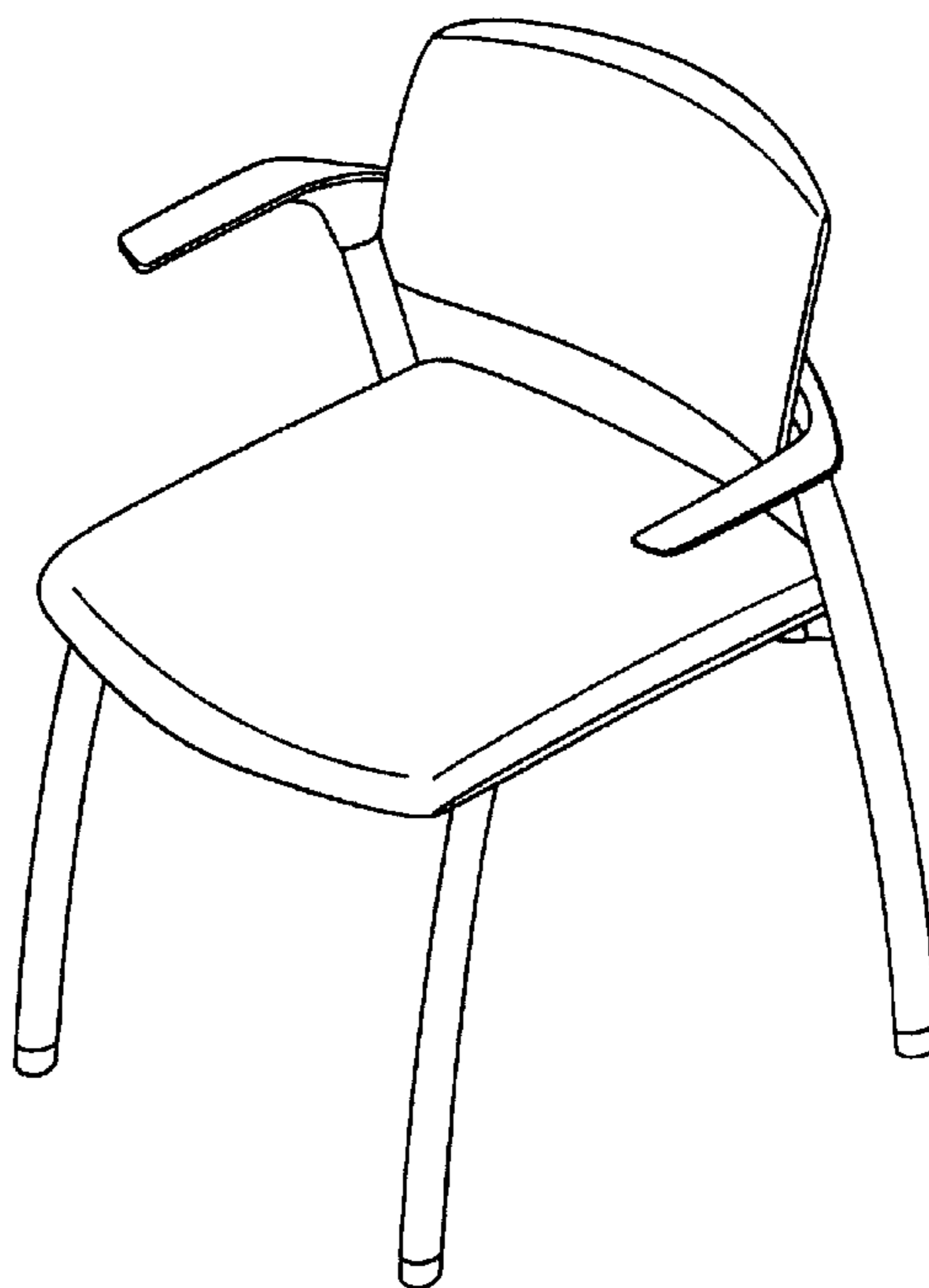
FIG. 4 is another side view thereof;

FIG. 5 is a back view thereof;

FIG. 6 is a top view thereof; and,

FIG. 7 is a bottom view thereof.

**1 Claim, 7 Drawing Sheets**



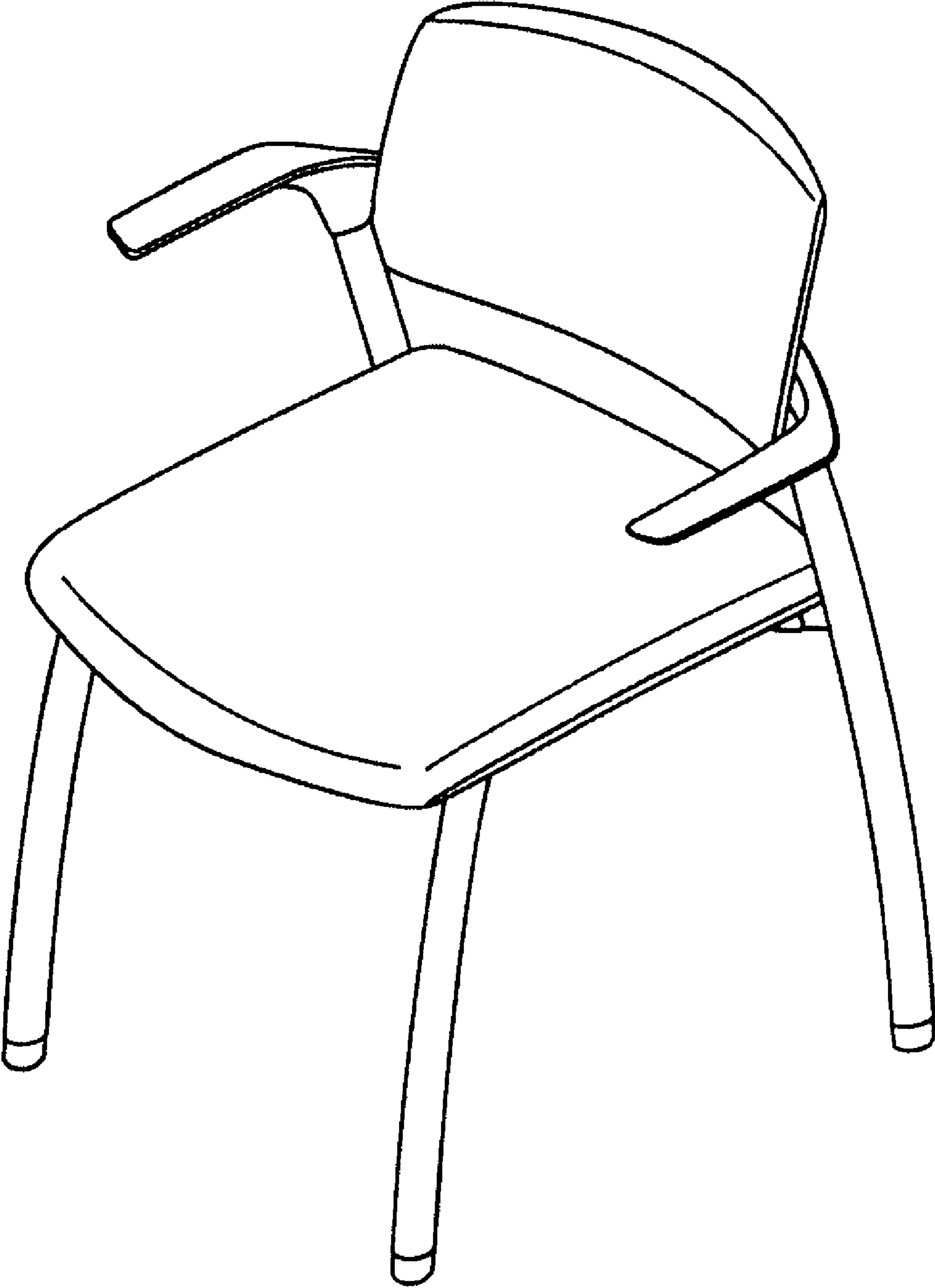


Figure 1

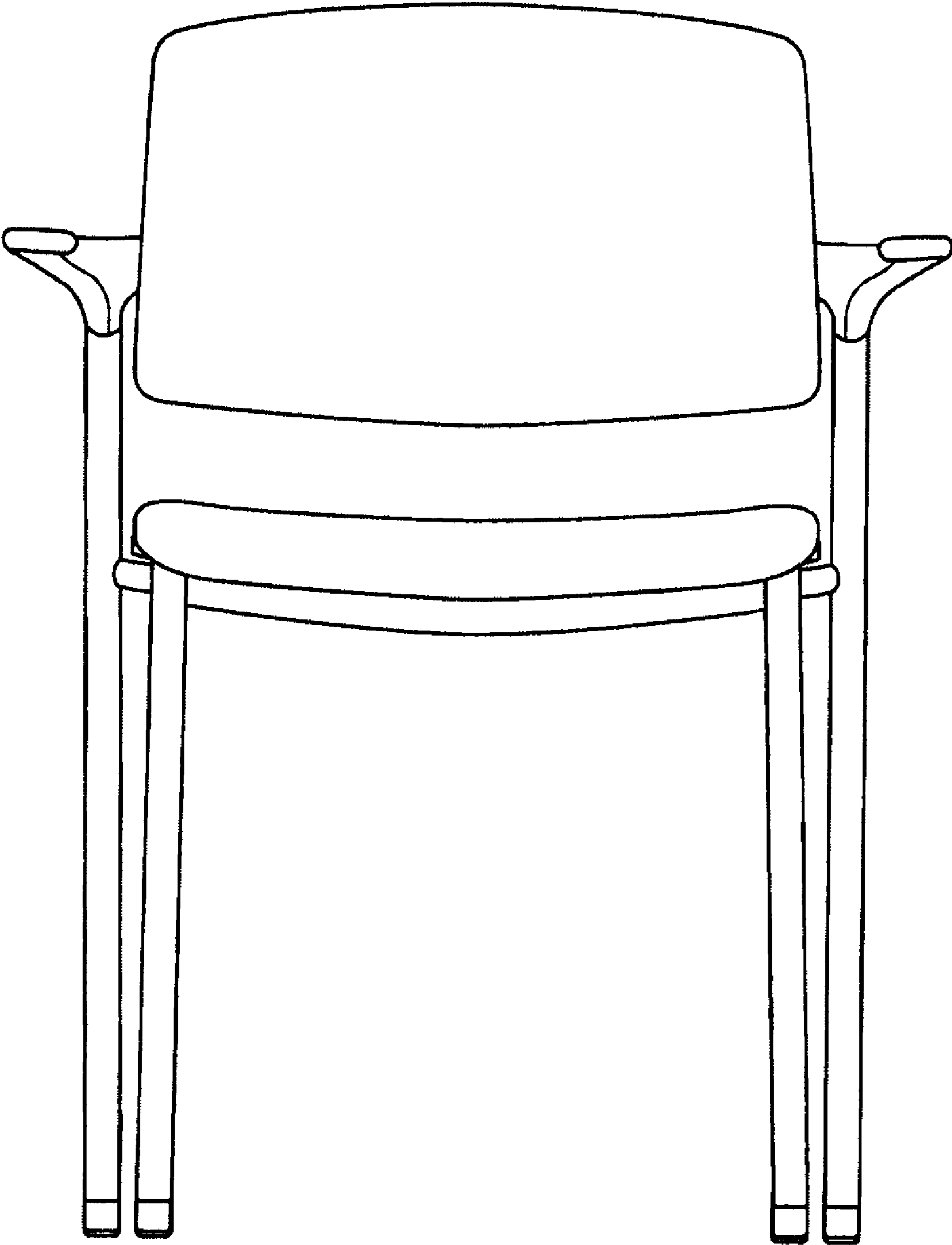


Figure 2

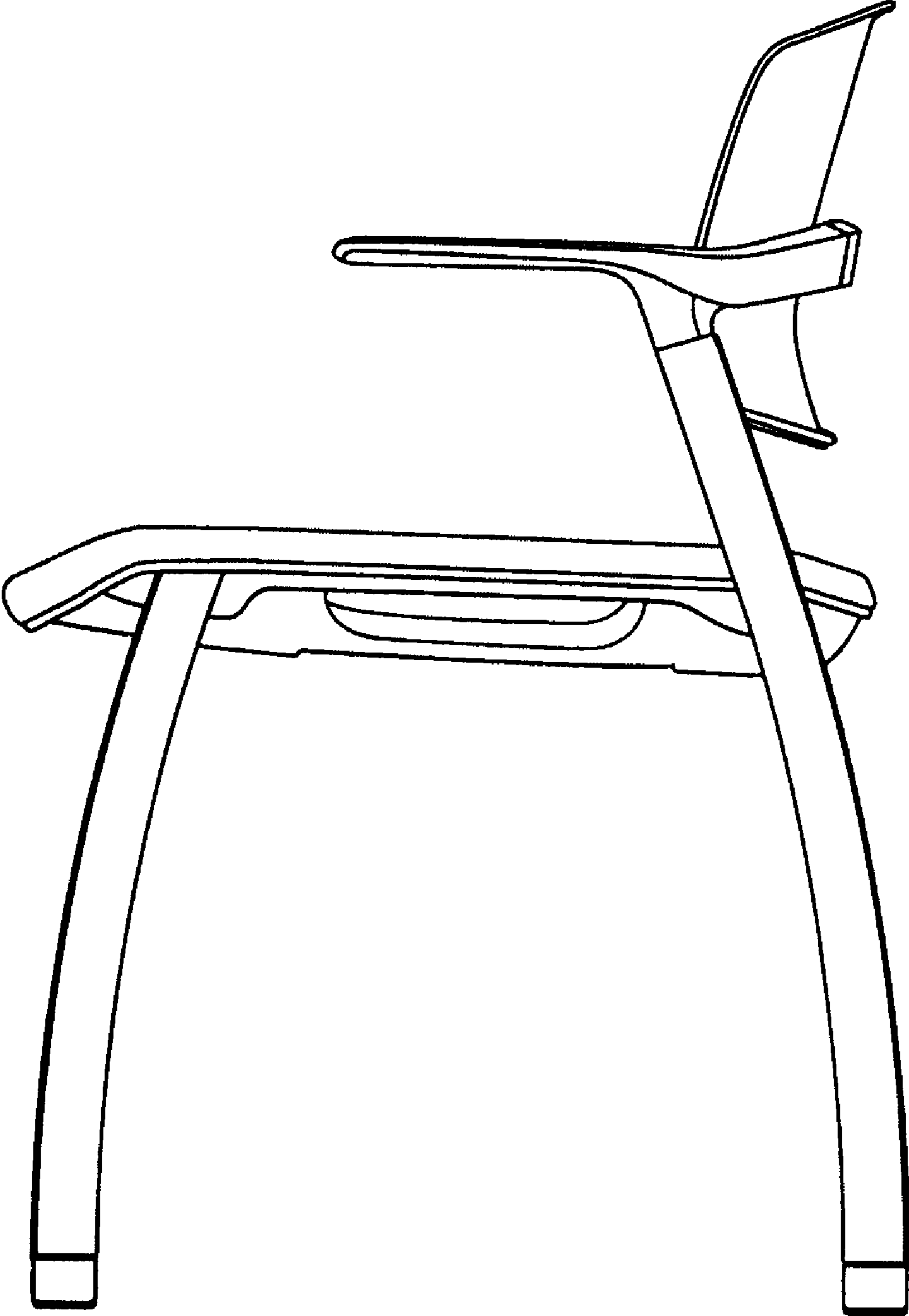


Figure 3

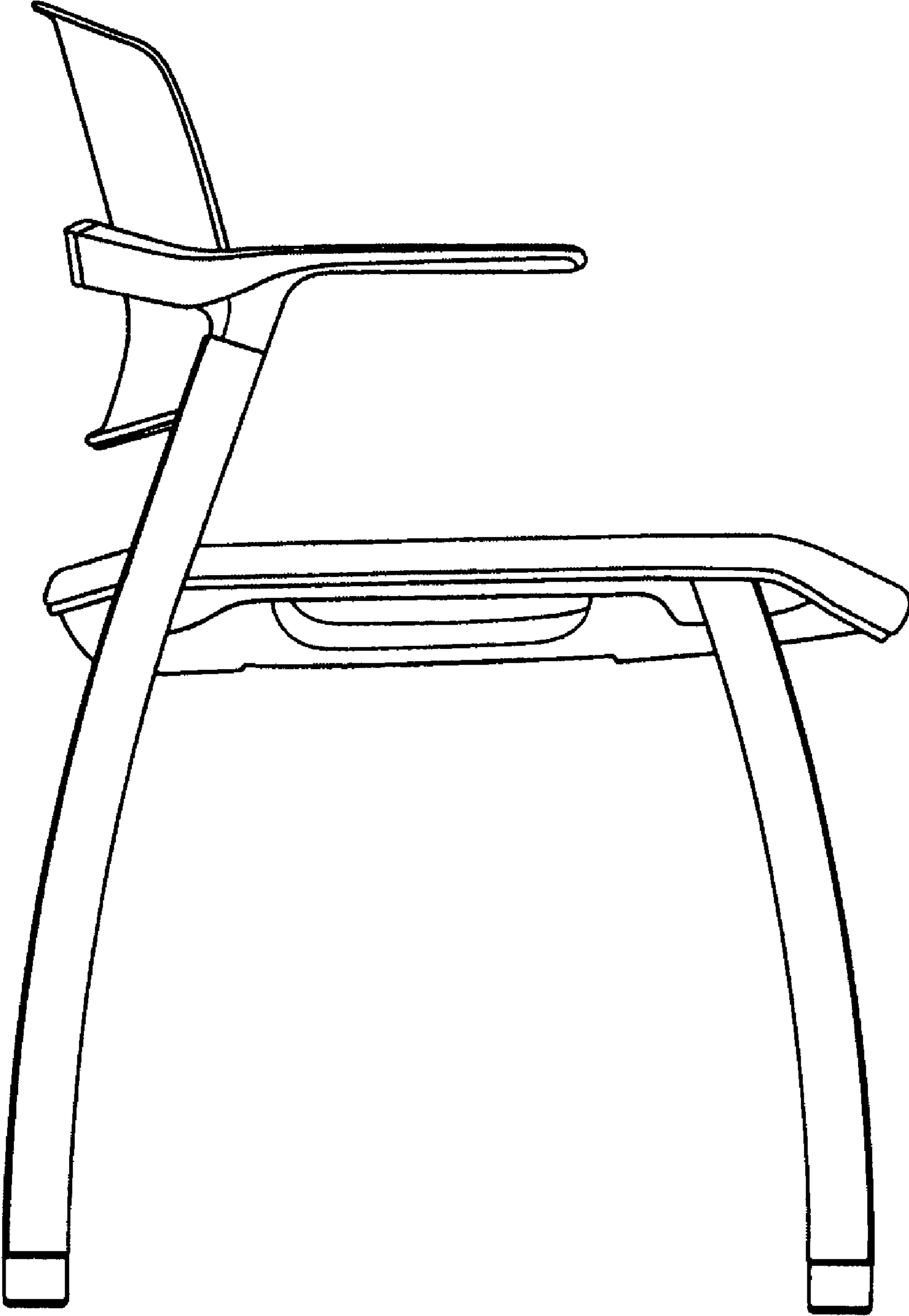


Figure 4

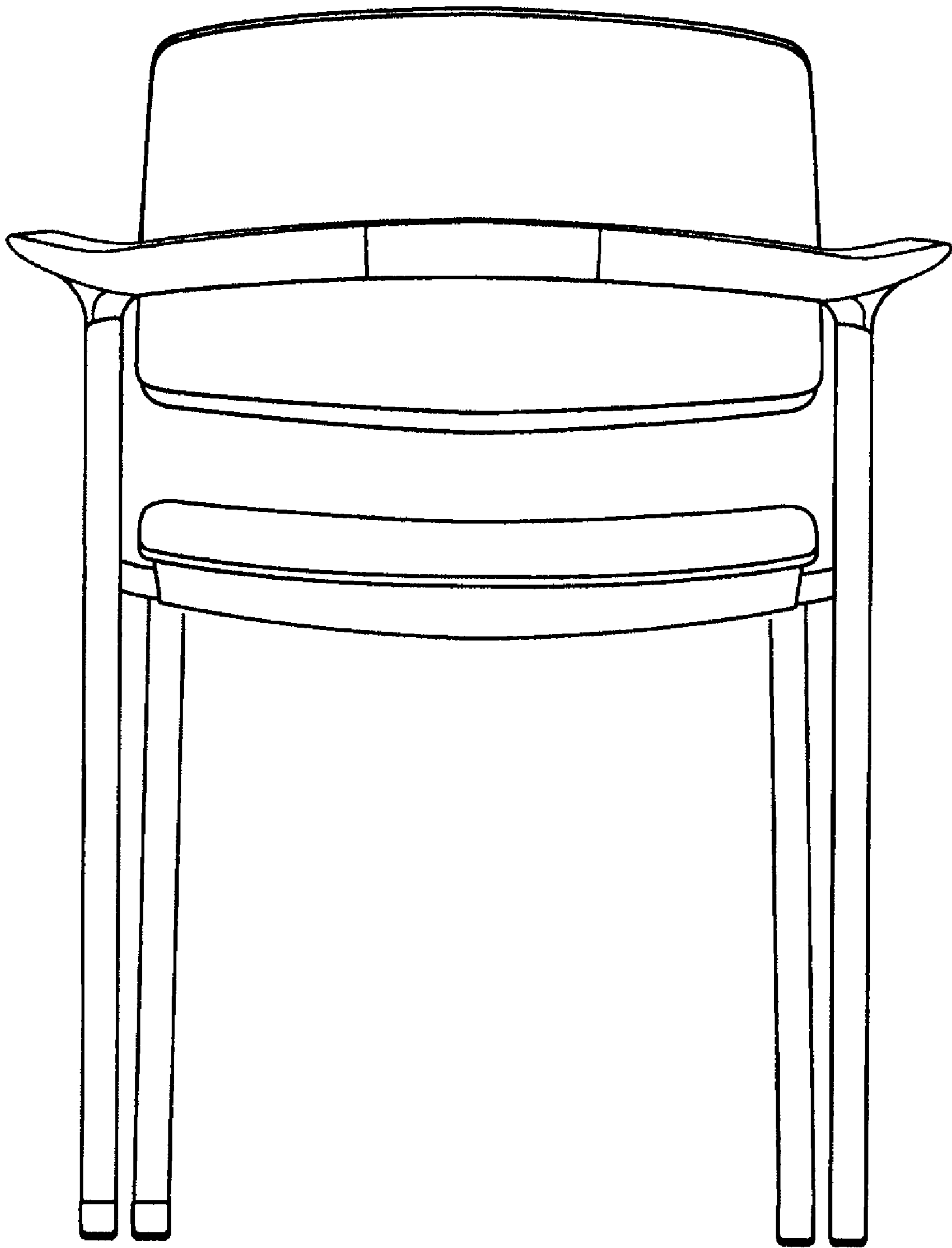


Figure 5

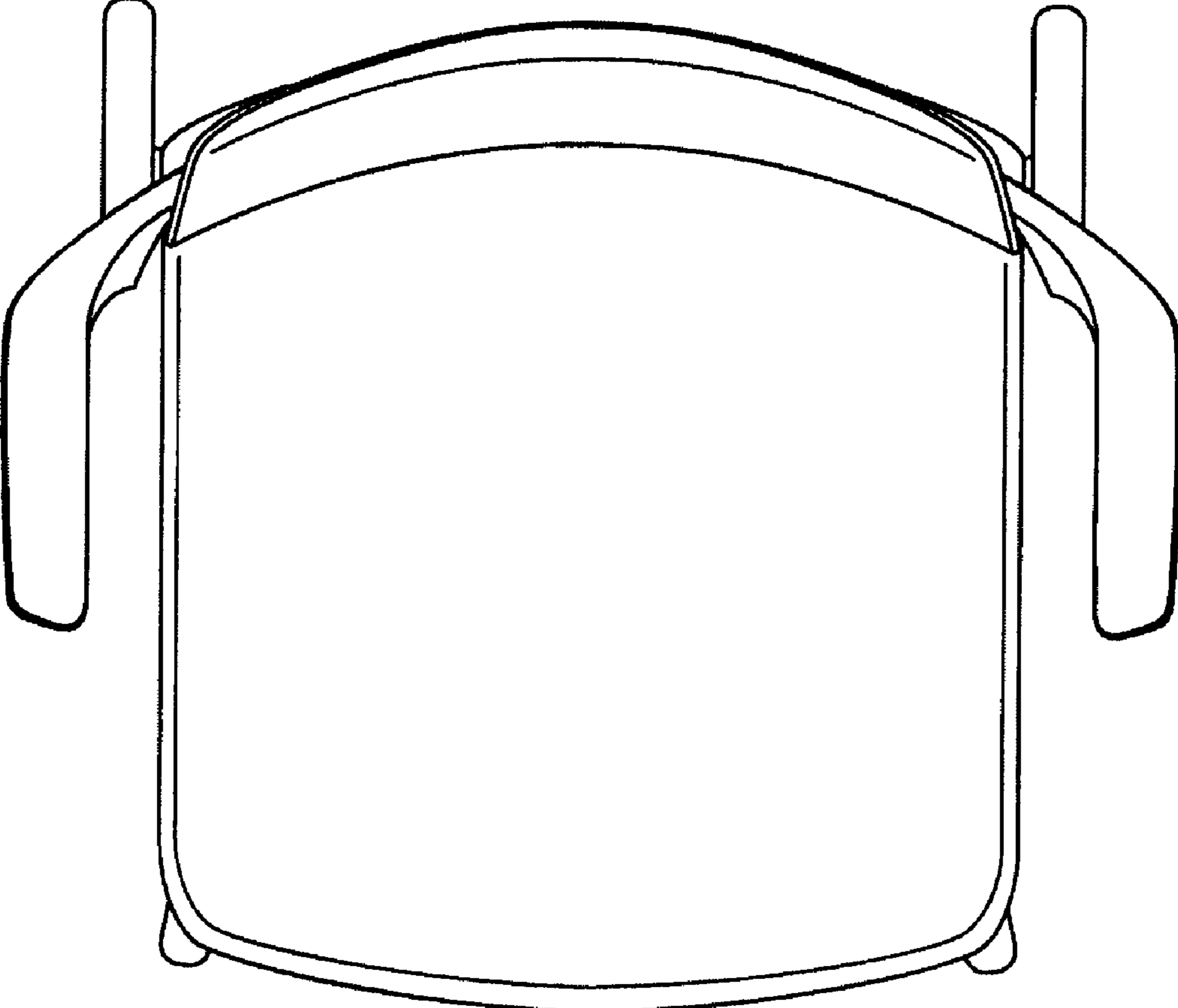


Figure 6

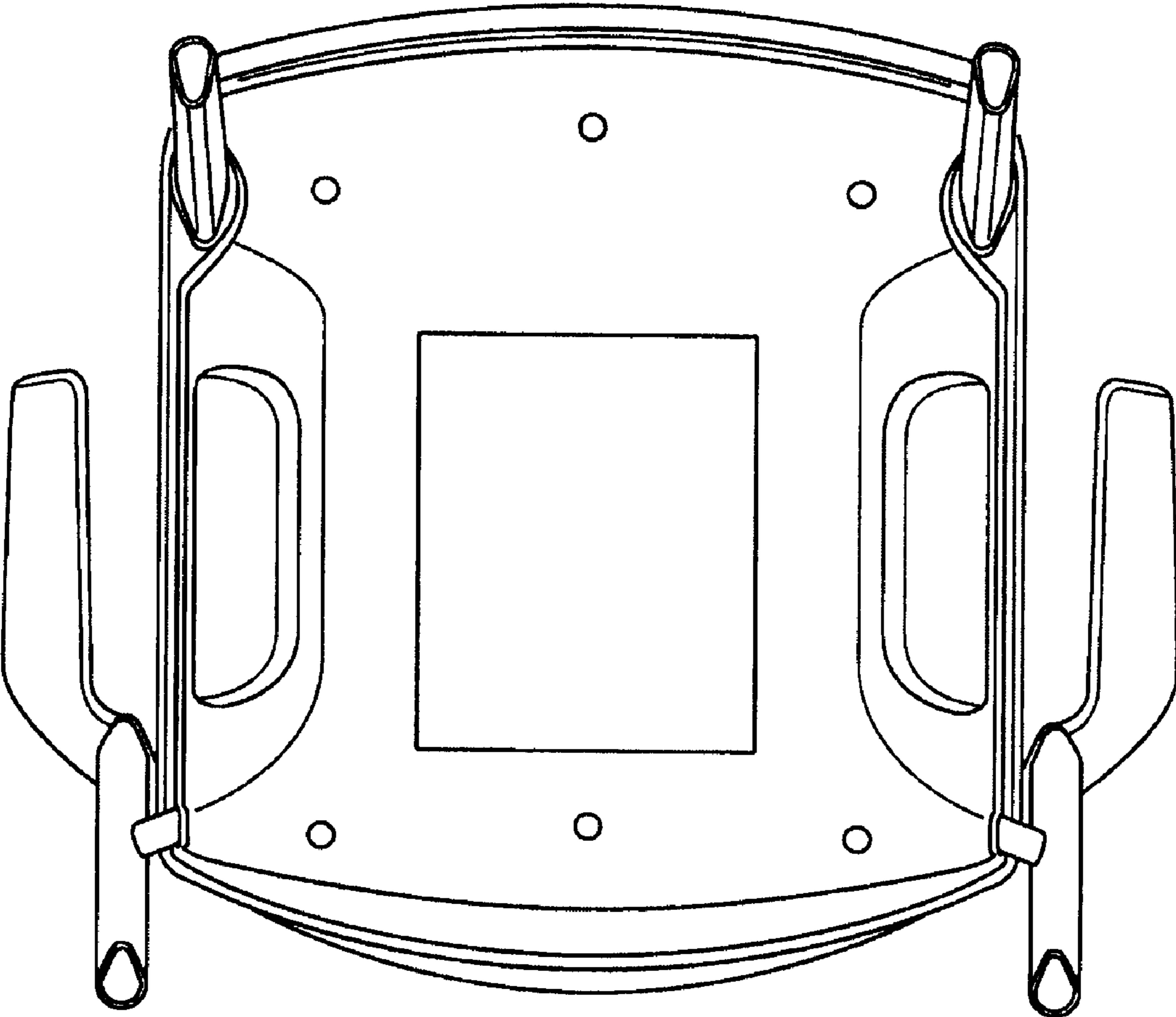


Figure 7