



US00D581688S

(12) **United States Design Patent**
Miller et al.

(10) **Patent No.:** **US D581,688 S**
(45) **Date of Patent:** **** Dec. 2, 2008**

(54) **CHAIR**

(75) Inventors: **David H. Miller**, Grand Rapids, MI (US); **Geoffrey J. Miller**, Ada, MI (US)

(73) Assignee: **Grand Rapids Chair Company**, Grand Rapids, MI (US)

(**) Term: **14 Years**

(21) Appl. No.: **29/279,742**

(22) Filed: **May 7, 2007**

(51) **LOC (8) Cl.** **06-01**

(52) **U.S. Cl.** **D6/375**

(58) **Field of Classification Search** D6/334-336, D6/360, 371-374, 375, 376, 379, 380, 499, D6/500-502; 297/DIG. 2, 239, 445.1, 446.1, 297/447.1, 447.2, 448.1, 452.12, 452.19
See application file for complete search history.

(56) **References Cited**

U.S. PATENT DOCUMENTS

- D156,376 S * 12/1949 Schladermundt et al. D6/375
- D215,427 S * 9/1969 Strassle D6/375
- D339,006 S * 9/1993 Schneider D6/375
- D374,130 S * 10/1996 Braun D6/375
- D390,026 S * 2/1998 Biecher D6/374
- D417,794 S * 12/1999 Schmidt-Bandelow D6/375

- D462,536 S * 9/2002 Levy D6/375
- D463,149 S * 9/2002 Levy D6/375
- D503,560 S * 4/2005 Rowland et al. D6/375
- D518,657 S * 4/2006 Gehry D6/375
- D566,412 S * 4/2008 Van Severen et al. D6/375

* cited by examiner

Primary Examiner—Mimosa De

(74) *Attorney, Agent, or Firm*—Dickinson Wright PLLC

(57) **CLAIM**

The ornamental design for the chair, as shown and described.

DESCRIPTION

FIG. 1 is a perspective view of the chair embodying the new design;

FIG. 2 is a front elevational view thereof;

FIG. 3 is a rear elevational view thereof;

FIG. 4 is a left elevational view thereof;

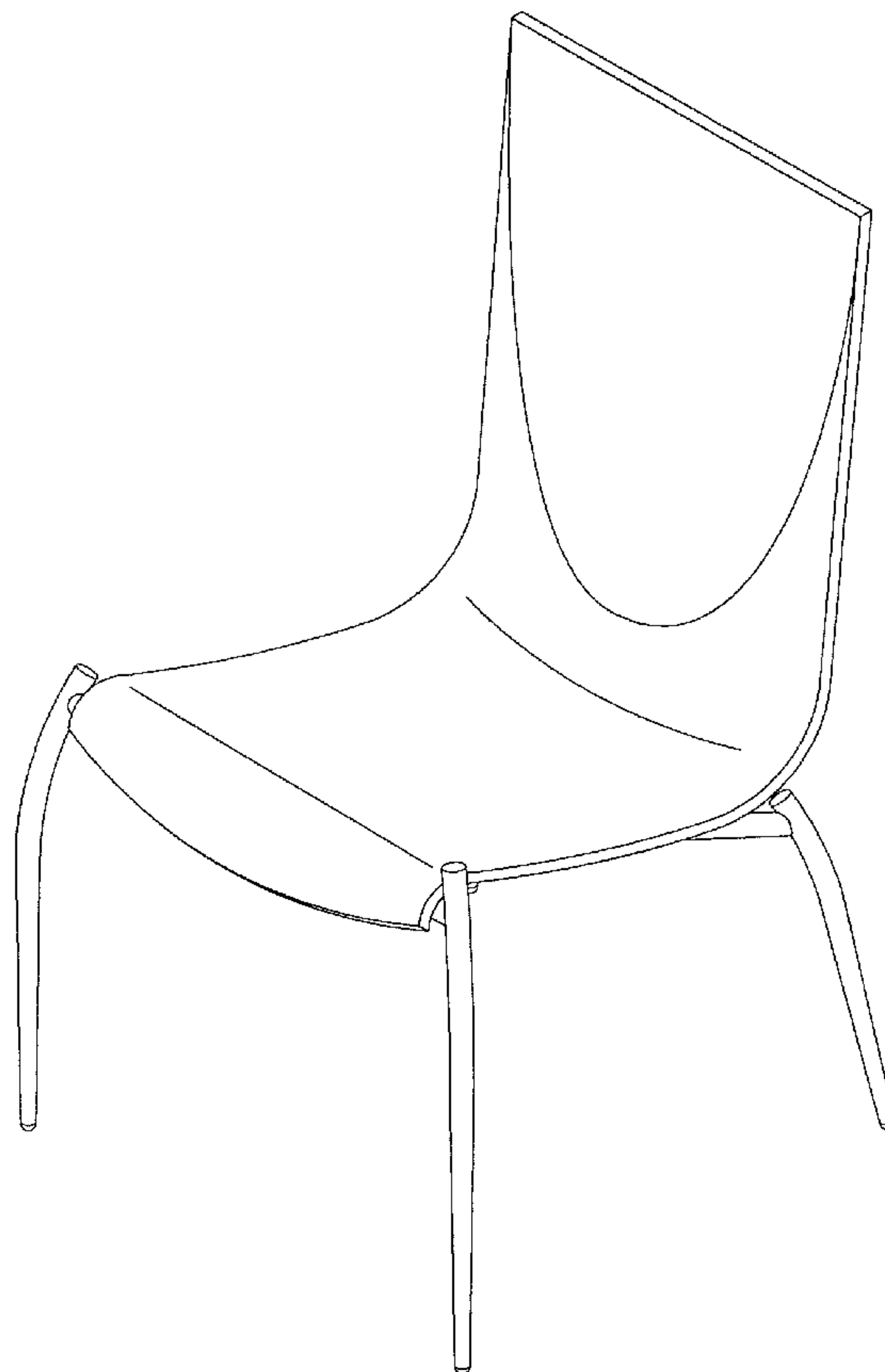
FIG. 5 is a right elevational view thereof;

FIG. 6 is a top plan view thereof; and,

FIG. 7 is a bottom plan view thereof with hidden lines.

FIG. 7 shows features of a support structure in phantom lines. These features are shown for environmental purposes and do not form any part of the claimed design.

1 Claim, 4 Drawing Sheets



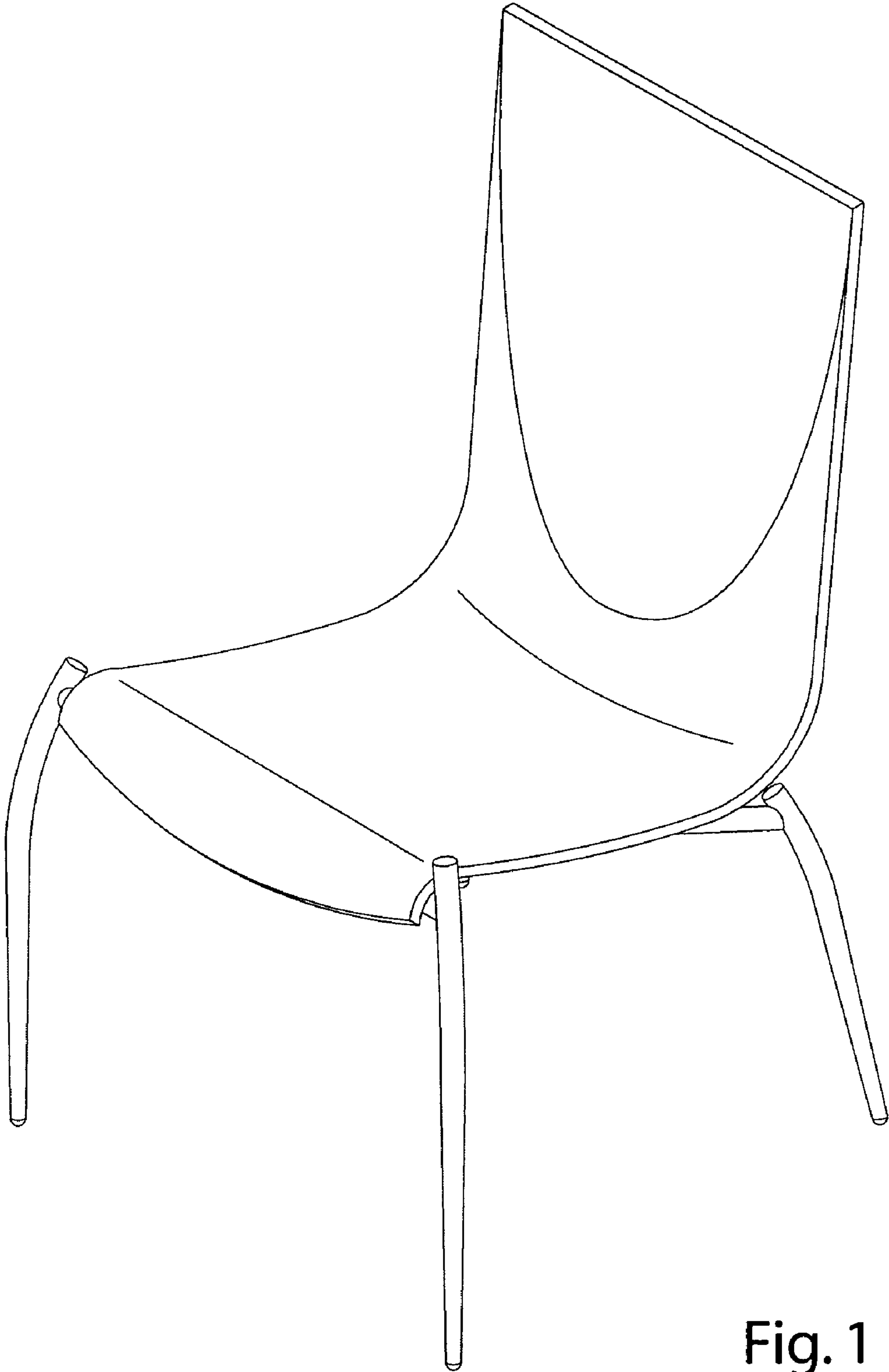


Fig. 1

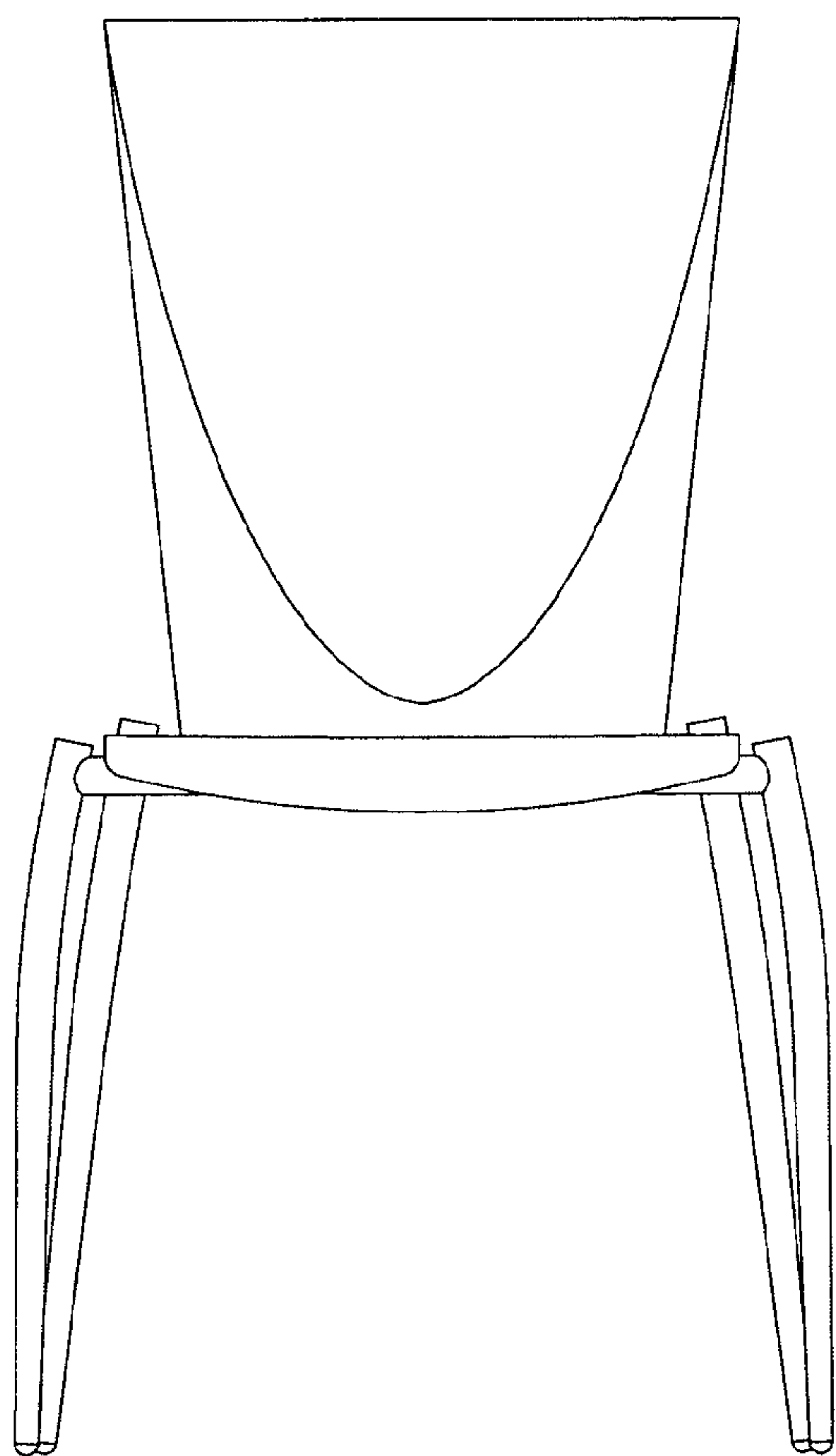


Fig. 2

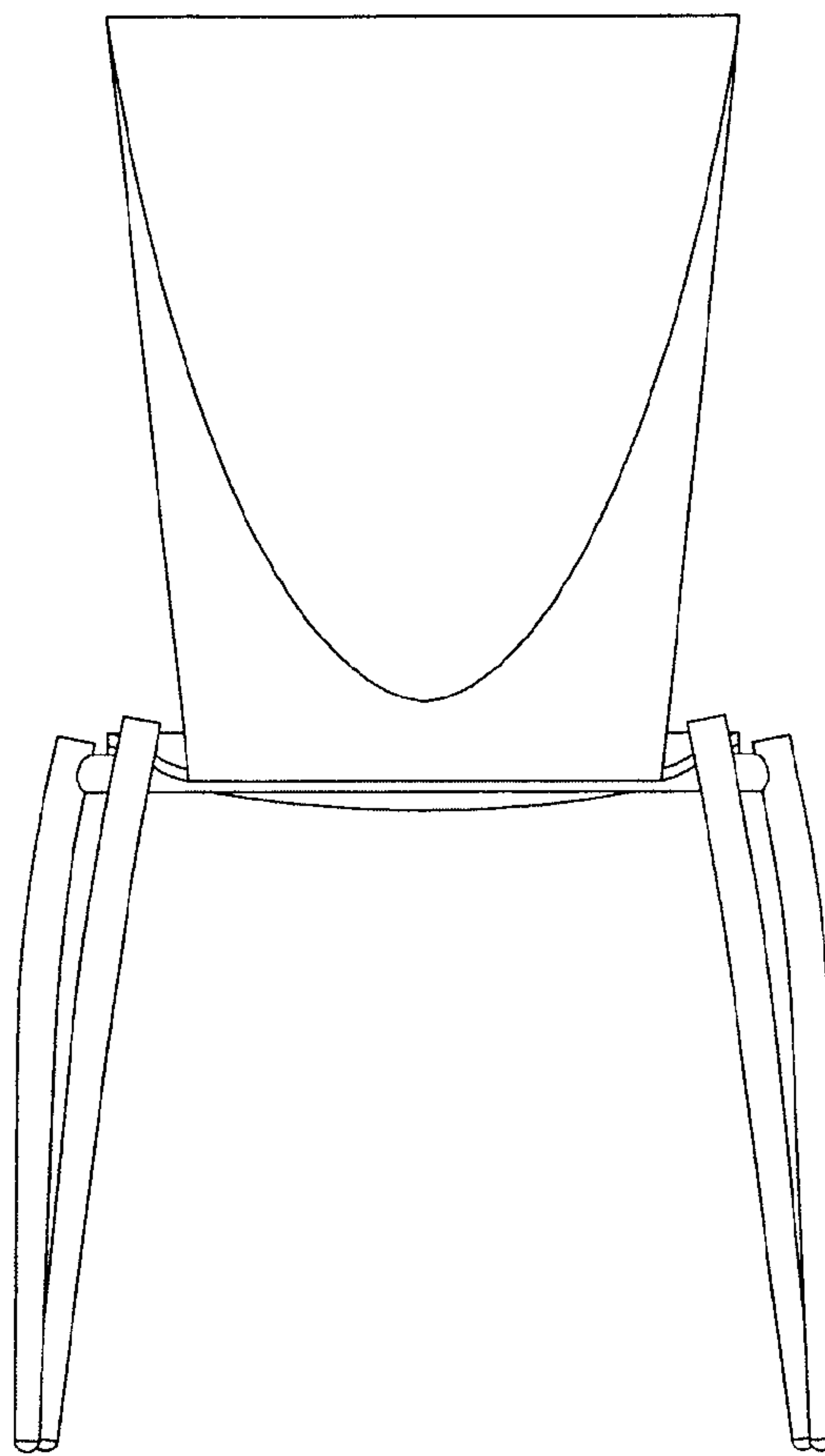


Fig. 3

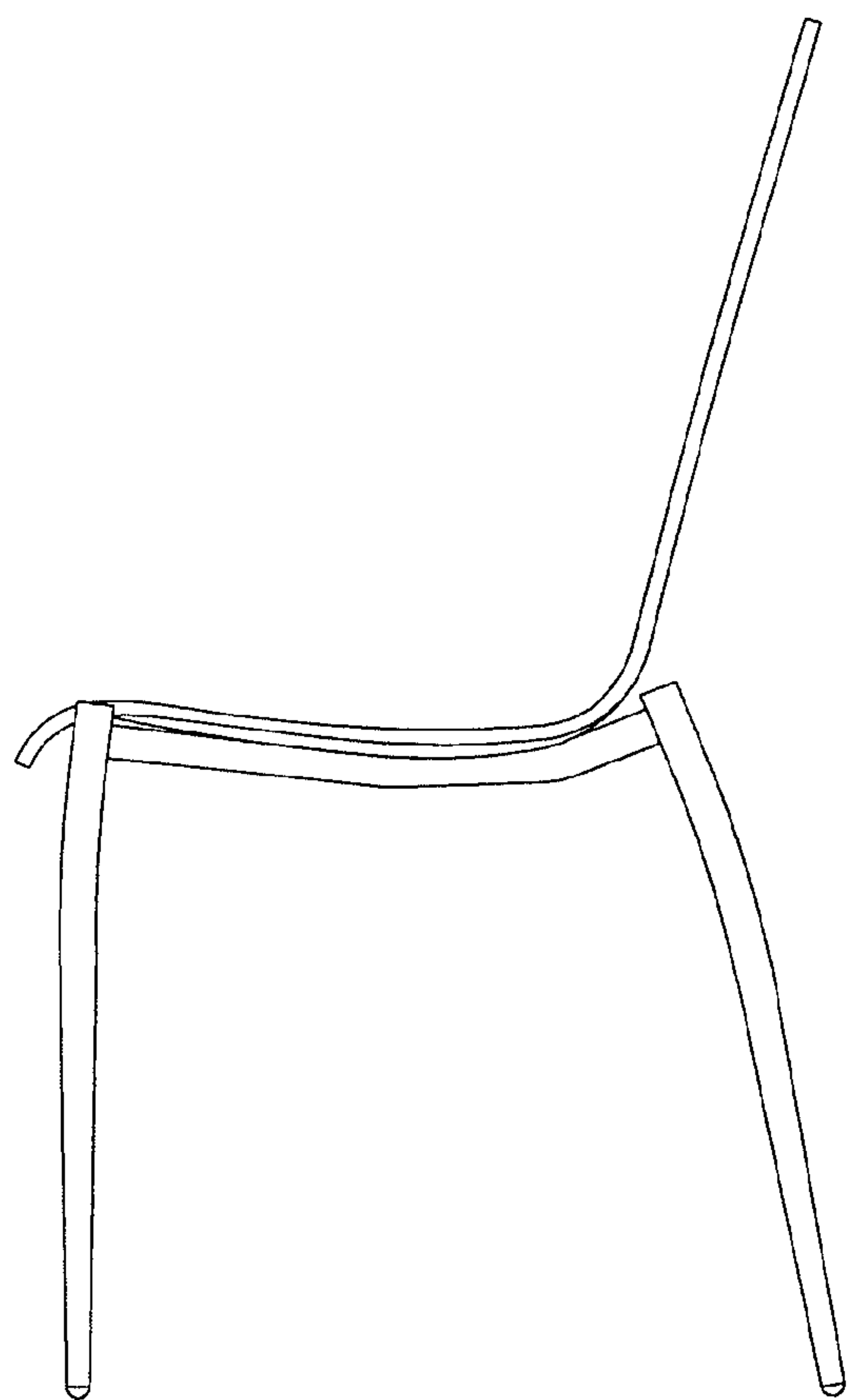


Fig. 4

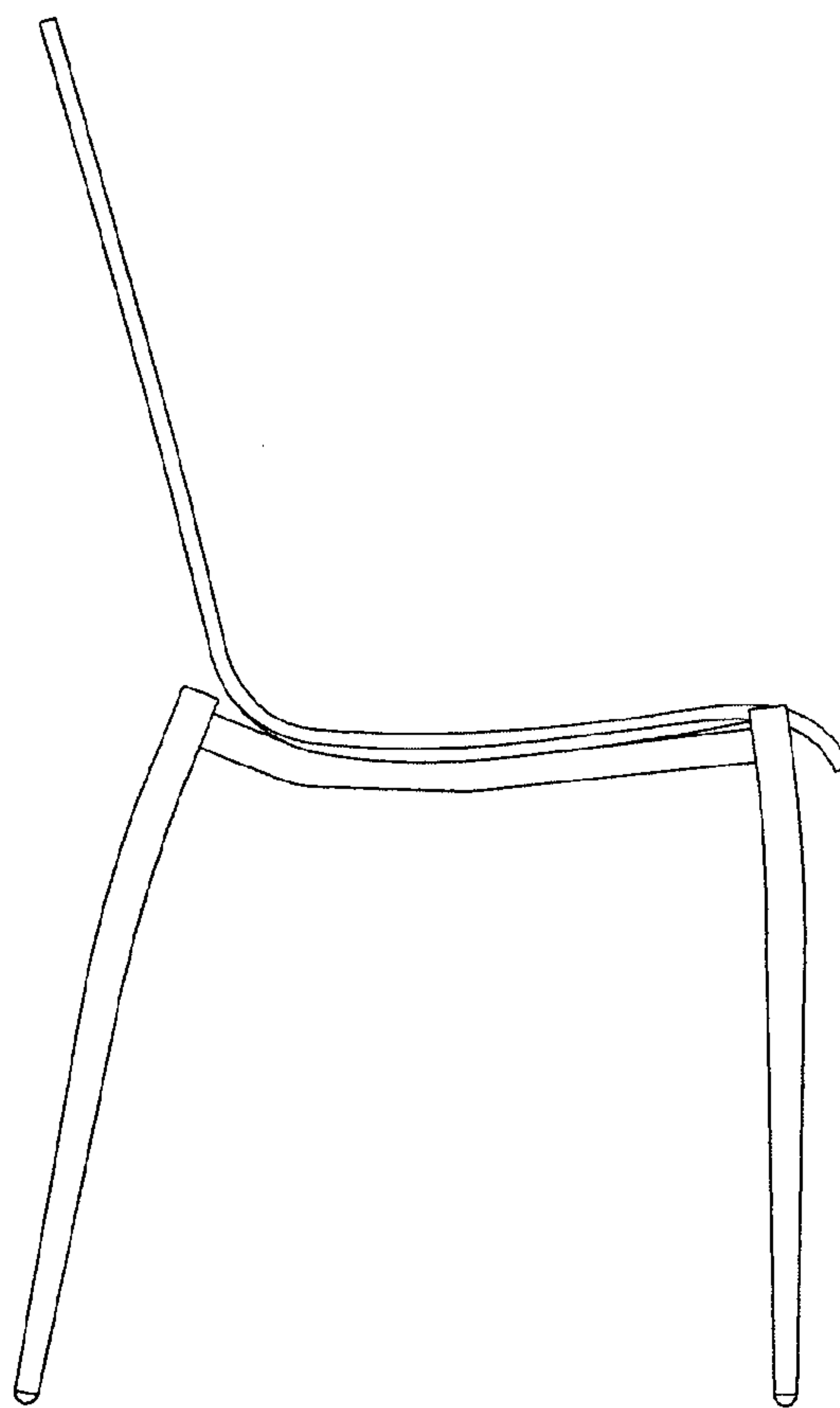


Fig. 5

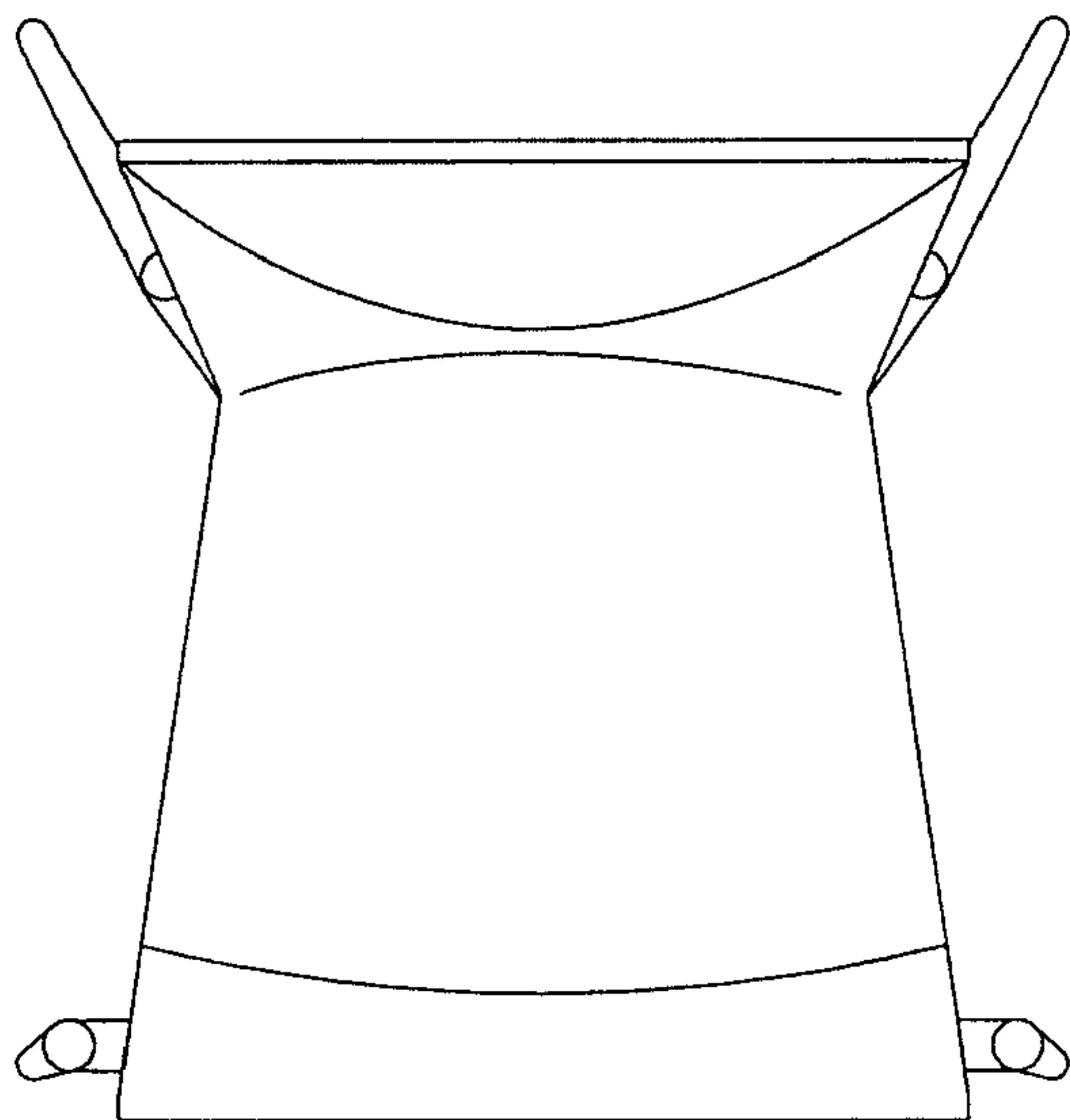


Fig. 6

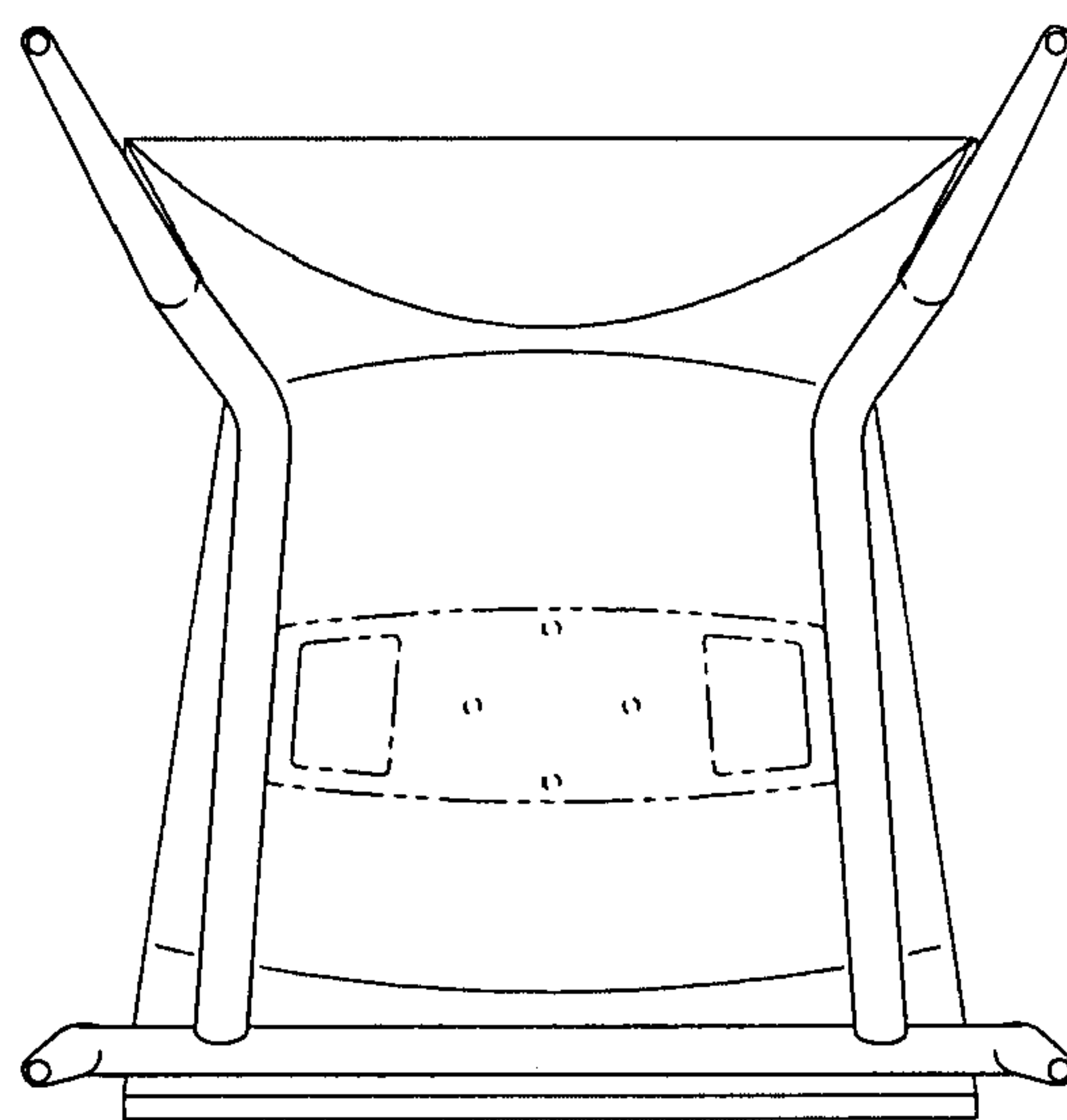


Fig. 7