



US00D581683S

(12) **United States Design Patent**
Chen

(10) **Patent No.:** **US D581,683 S**

(45) **Date of Patent:** **** *Dec. 2, 2008**

(54) **BABY BED**

(75) Inventor: **Shun-Min Chen**, Taipei (TW)

(73) Assignee: **Wonderland Nursery Goods Co., Ltd.**,
Neihu, Taipei (TW)

(*) Notice: This patent is subject to a terminal disclaimer.

(**) Term: **14 Years**

(21) Appl. No.: **29/193,511**

(22) Filed: **Nov. 10, 2003**

(51) **LOC (8) Cl.** **06-07**

(52) **U.S. Cl.** **D6/331**

(58) **Field of Classification Search** D6/491,
D6/495-496, 499; 5/93.1, 93.2, 99.1, 100
See application file for complete search history.

(56) **References Cited**

U.S. PATENT DOCUMENTS

- 3,886,607 A * 6/1975 Dunn 5/104
- 5,867,851 A * 2/1999 Mariol et al. 5/99.1
- 6,076,205 A * 6/2000 Yang 5/99.1
- D494,393 S * 8/2004 Chen D6/503

D495,523 S * 9/2004 Harwanko D6/410
2003/0066129 A1 * 4/2003 Hsia 5/99.1

* cited by examiner

Primary Examiner—Caron Veynar

Assistant Examiner—Sydney R Buffalow

(74) *Attorney, Agent, or Firm*—DLA Piper LLP (US)

(57) **CLAIM**

The ornamental design for baby bed, as shown and described.

DESCRIPTION

FIG. 1 is a perspective view of baby bed showing my new design;

FIG. 2 is a front elevational view thereof;

FIG. 3 is a rear elevational view thereof;

FIG. 4 is a left side elevational view thereof;

FIG. 5 is a right side elevational view thereof;

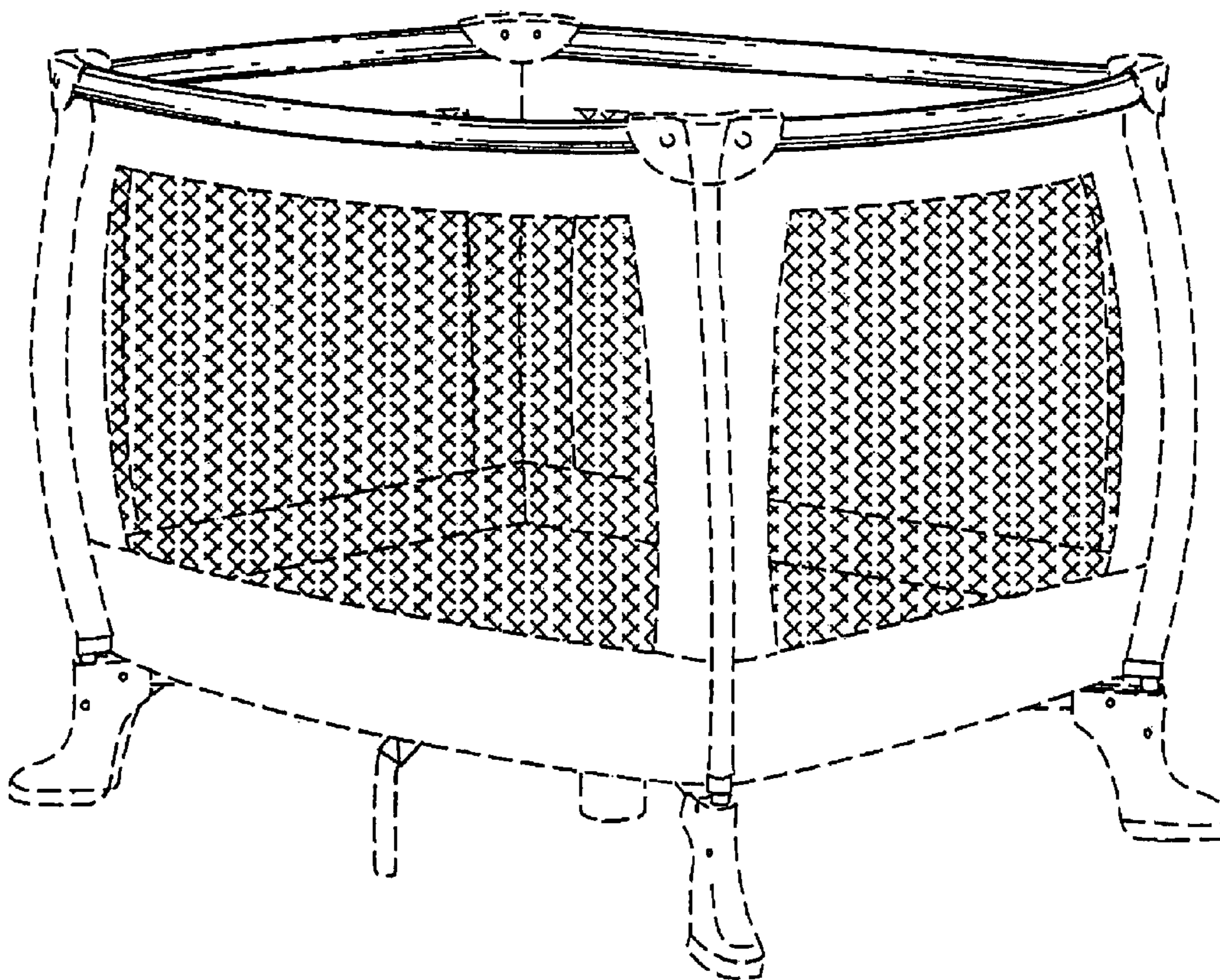
FIG. 6 is a top plan view thereof; and

FIG. 7 is a bottom plan view thereof; and

FIG. 8 is another perspective view in use.

The broken lines showing the baby bed are for illustrative purposes only and form no part of the claimed design.

1 Claim, 7 Drawing Sheets



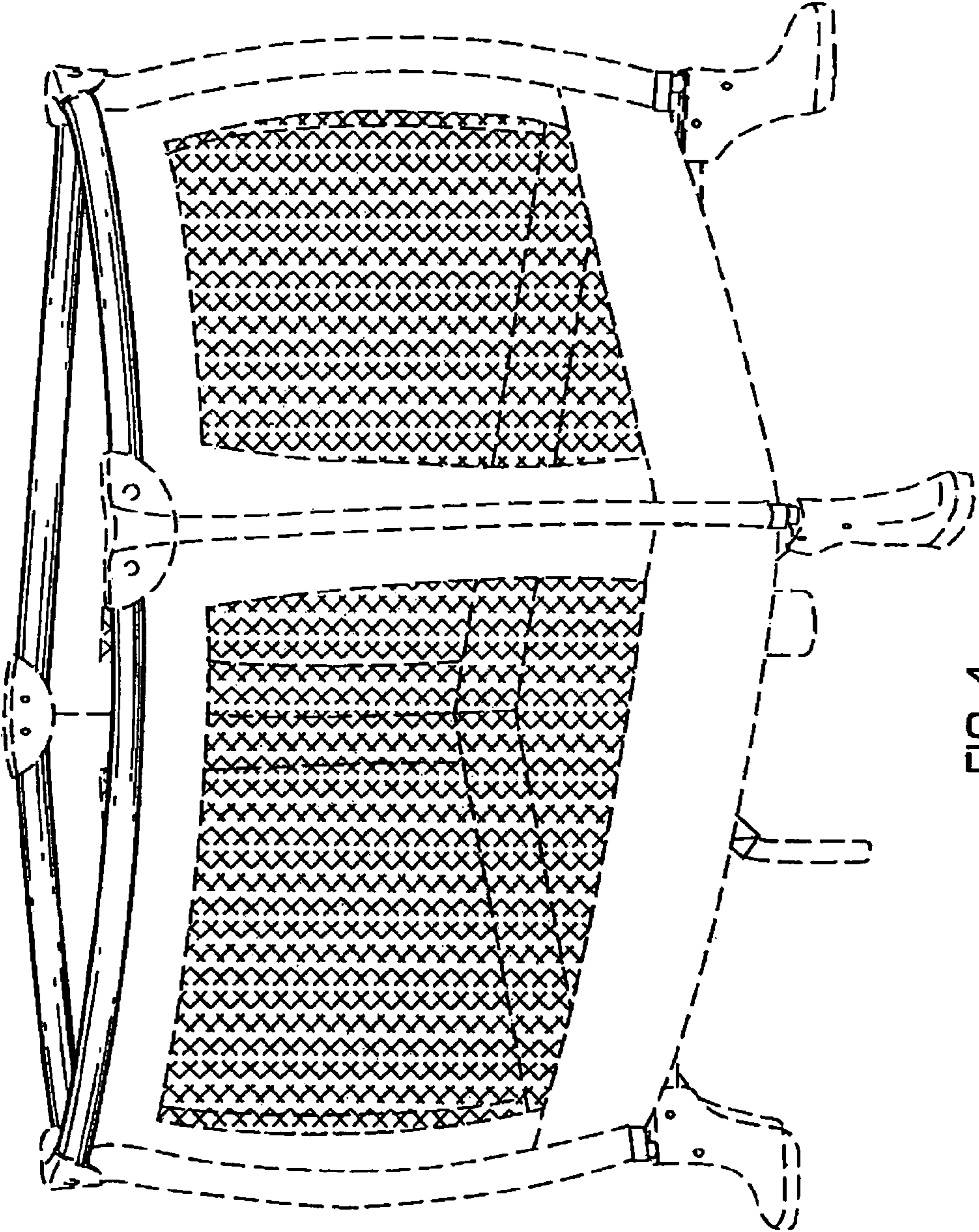


FIG. 1

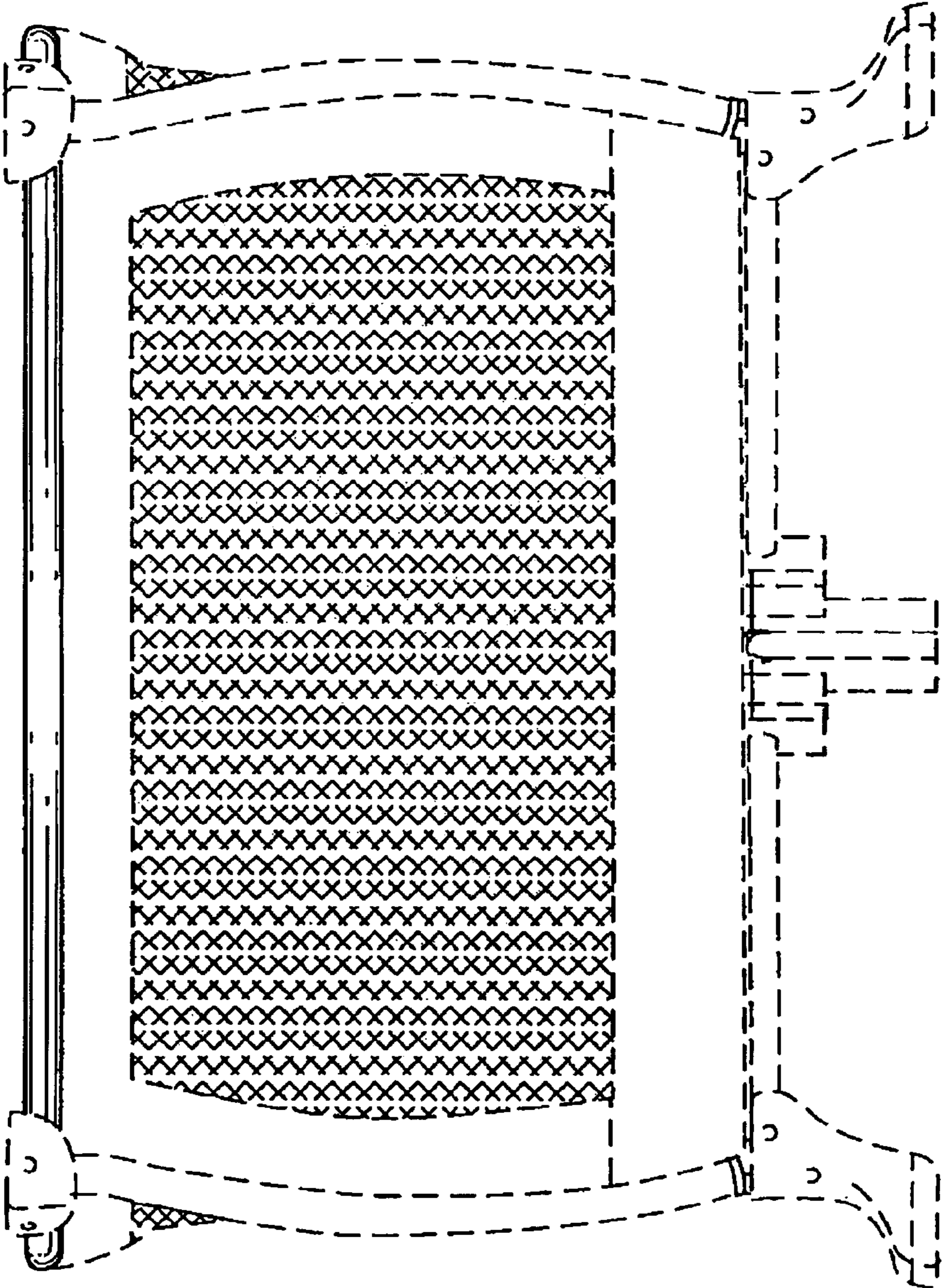


FIG. 2

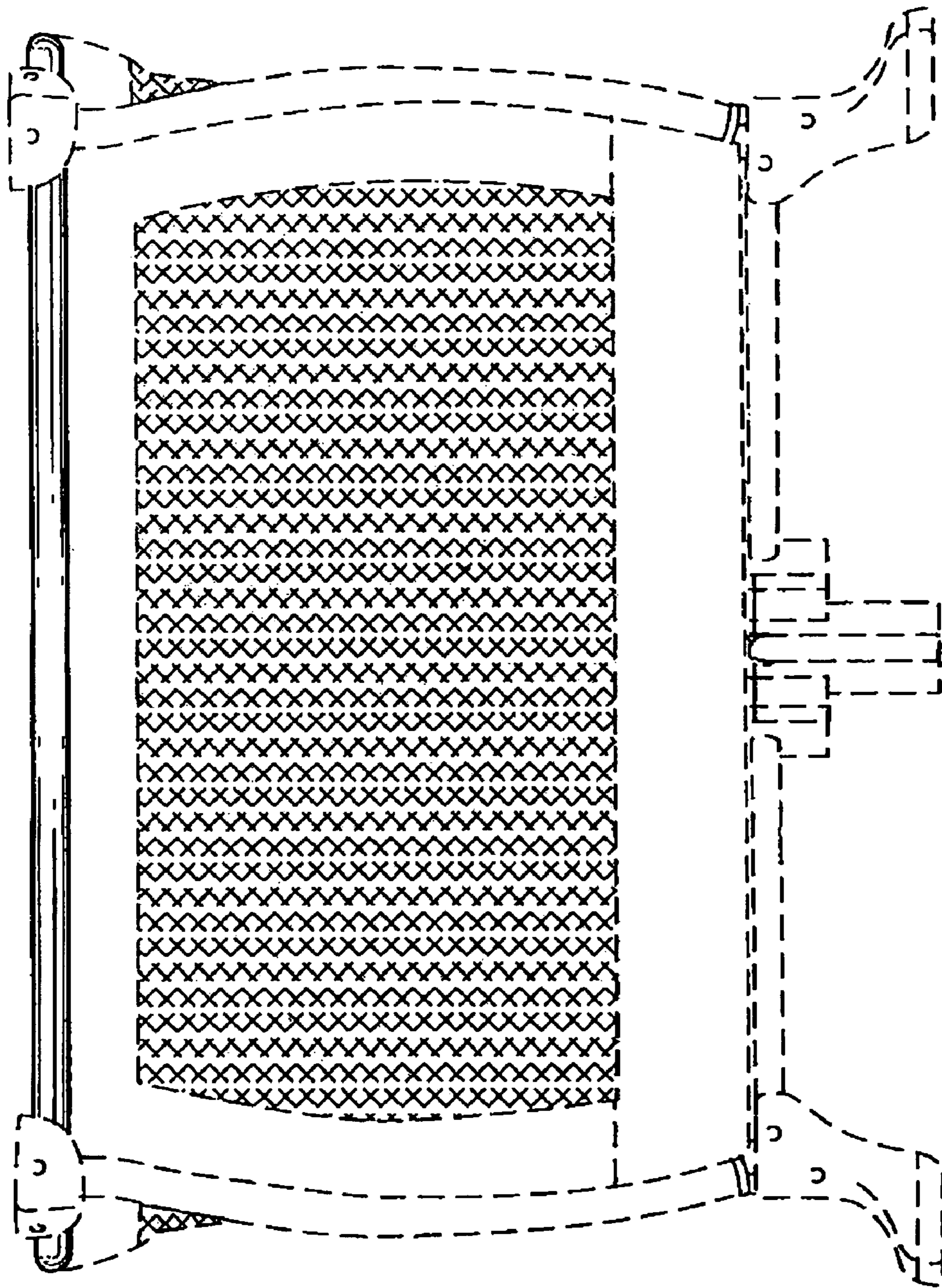


FIG. 3

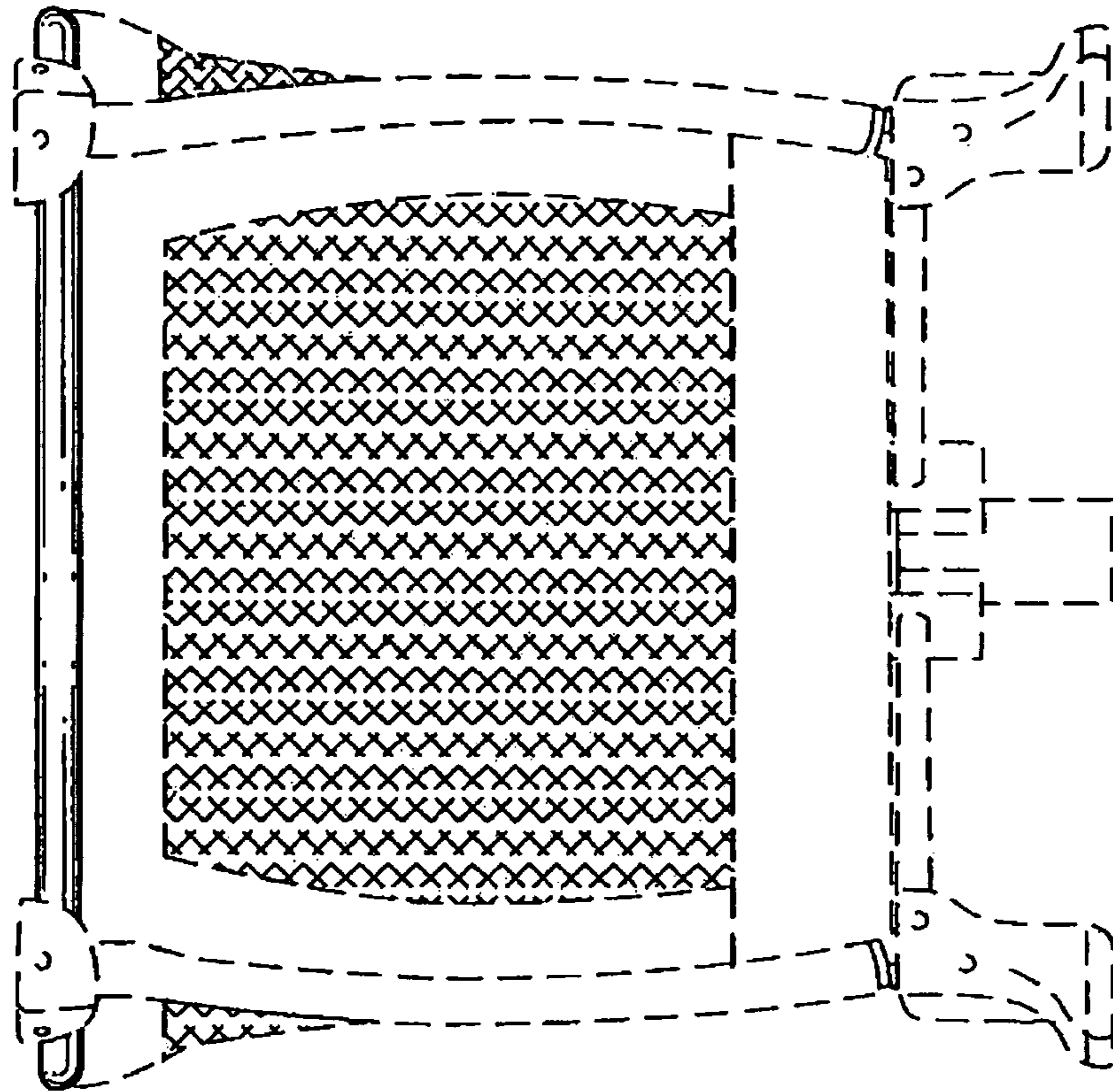


FIG. 5

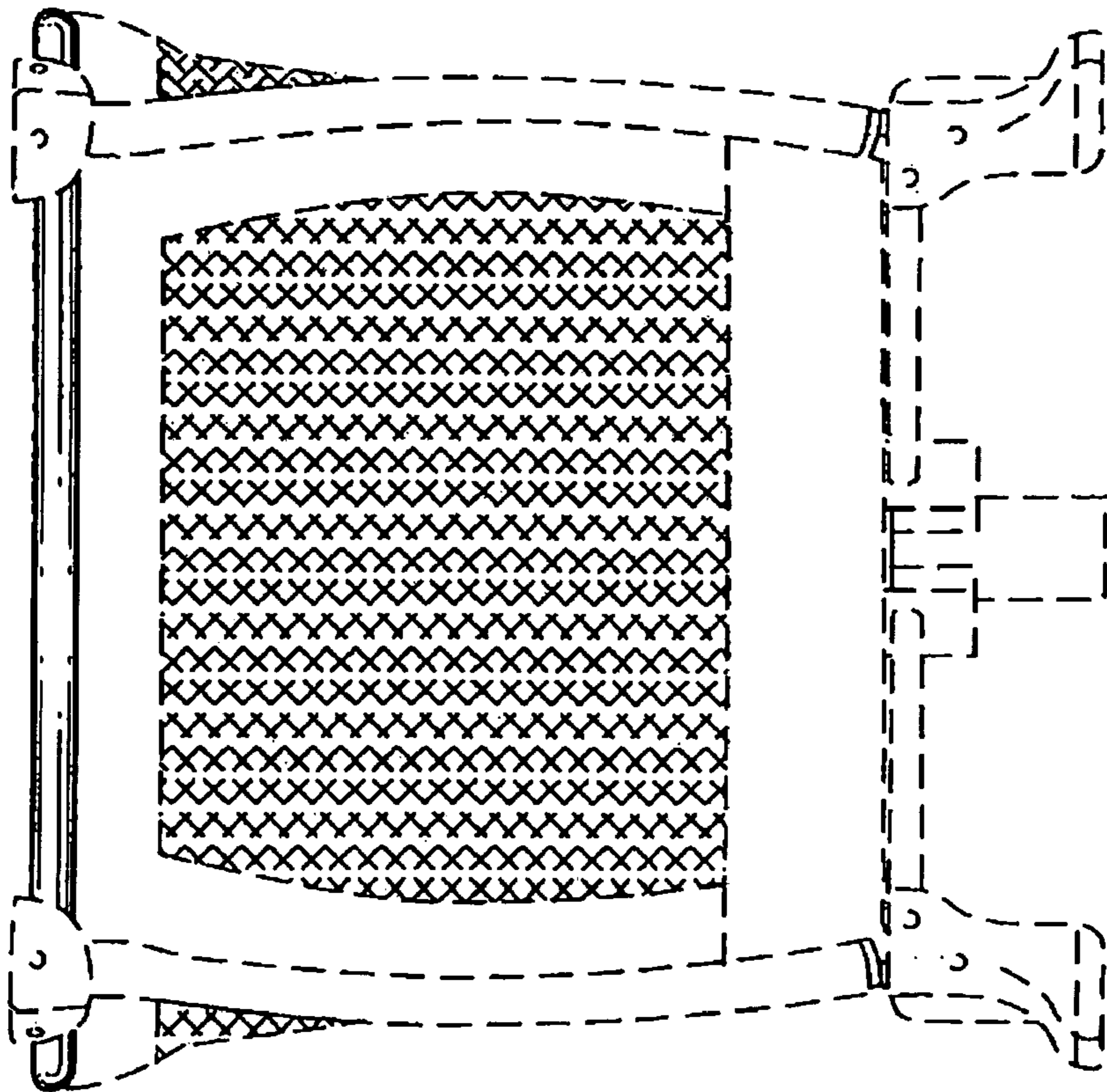


FIG. 4

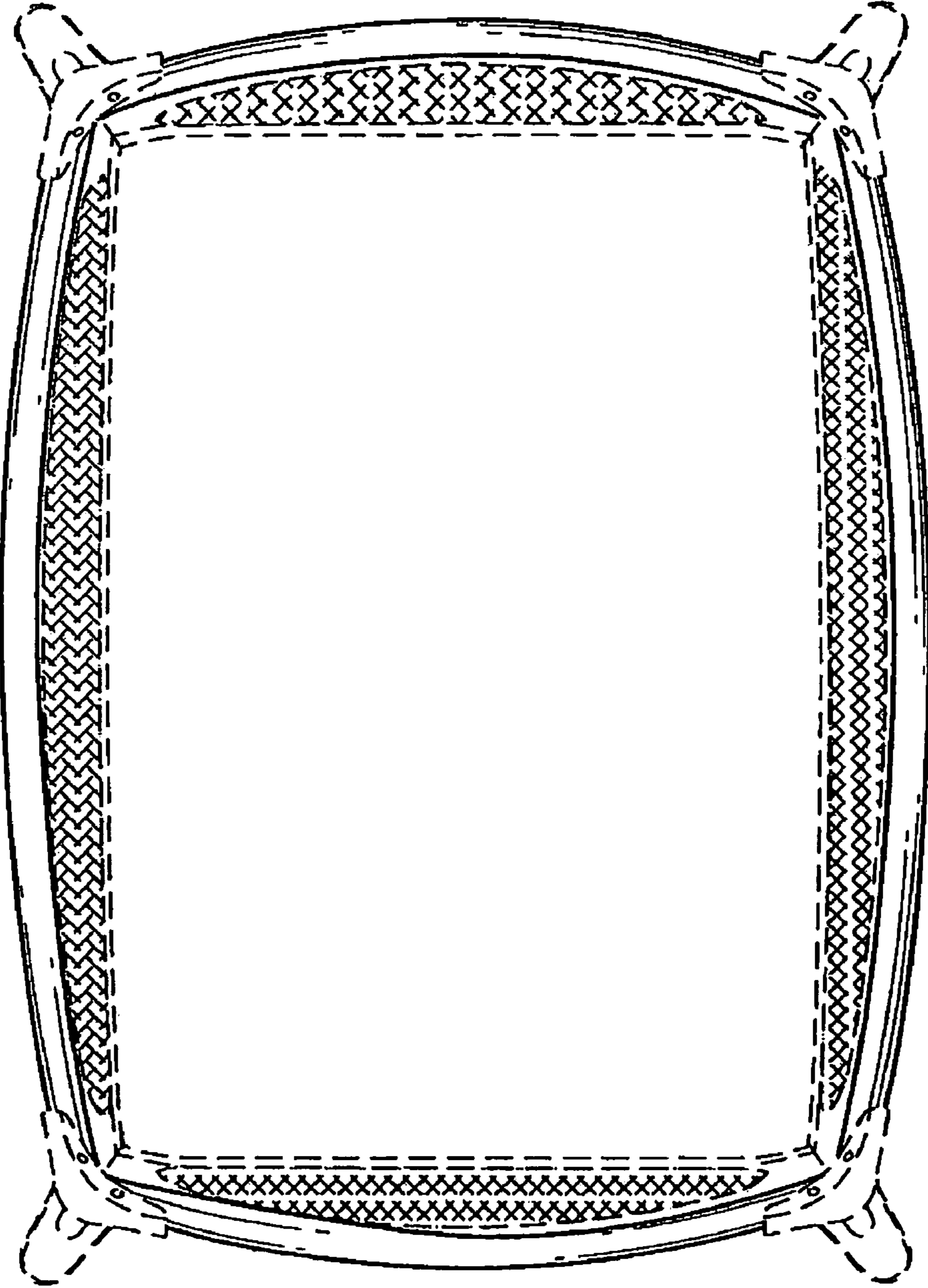


FIG. 6

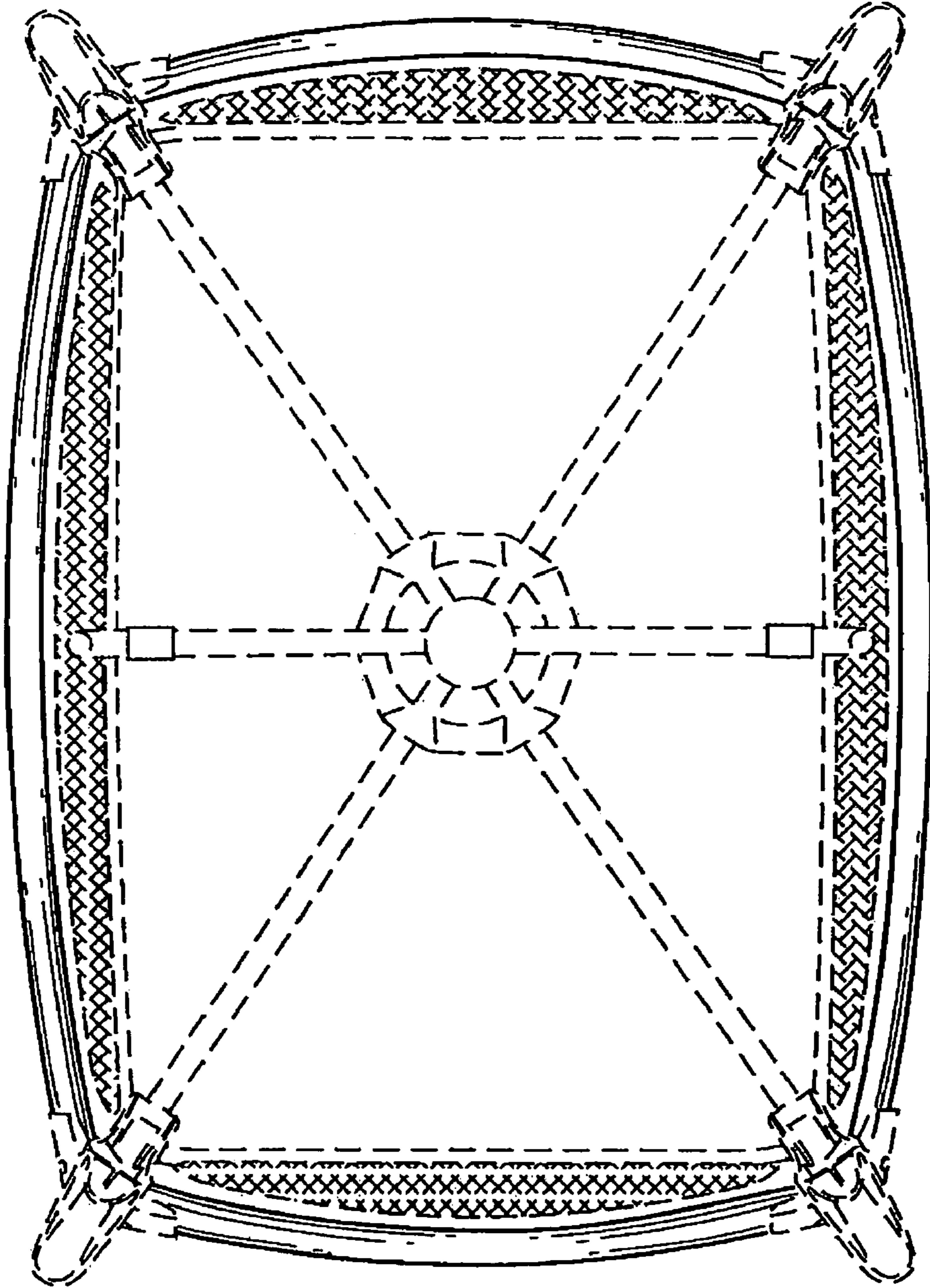


FIG. 7

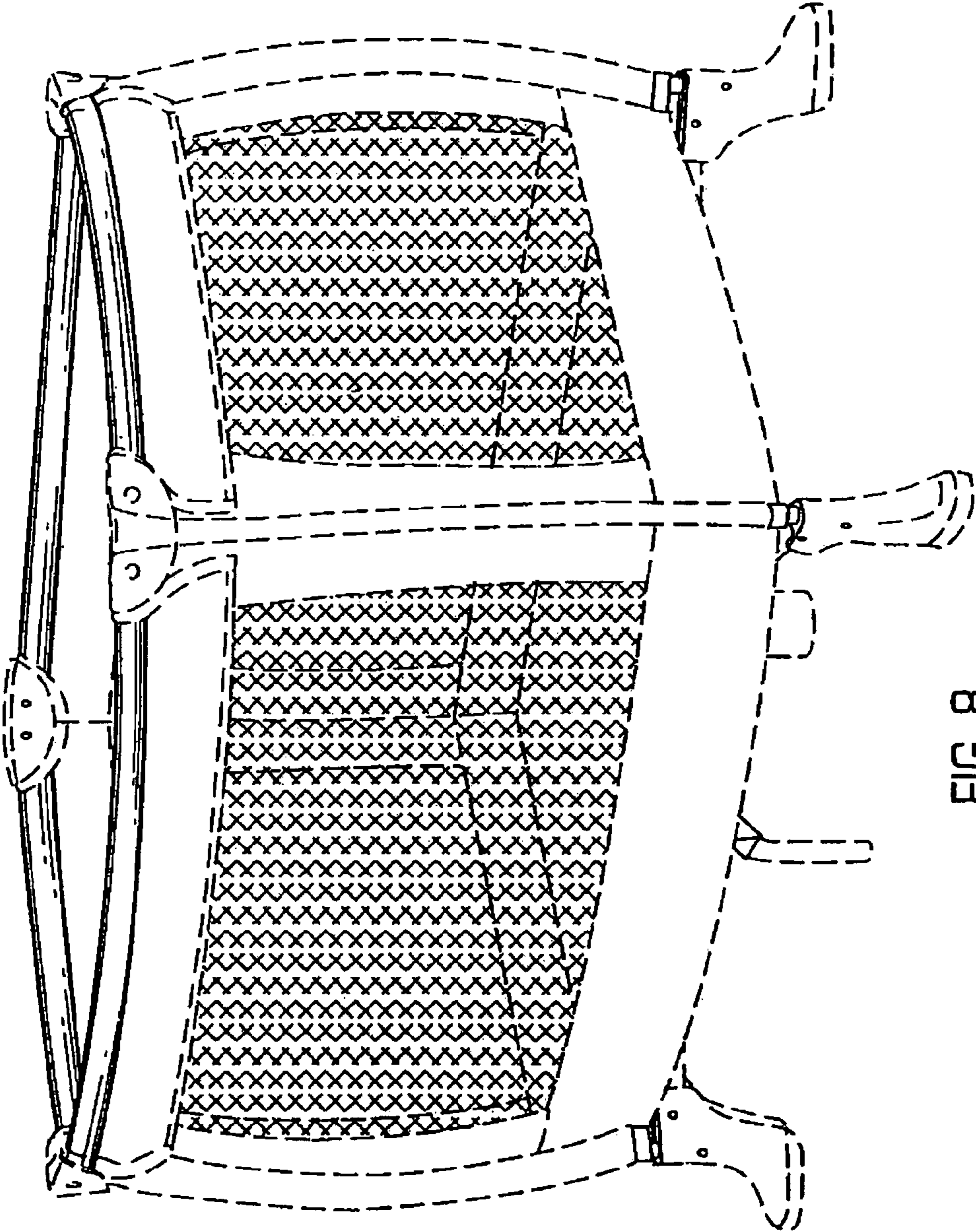


FIG. 8