



US00D581682S

(12) **United States Design Patent**
Madlinger

(10) **Patent No.:** **US D581,682 S**

(45) **Date of Patent:** **** Dec. 2, 2008**

(54) **MOLD HANGER INSERT**

D536,539 S * 2/2007 Chen D6/328

(76) Inventor: **John L. Madlinger**, 4245 Virginia Ave.,
St. Louis, MO (US) 63111

* cited by examiner

(**) Term: **14 Years**

Primary Examiner—Stella M Reid

Assistant Examiner—Shanda C Hill

(21) Appl. No.: **29/297,133**

(74) *Attorney, Agent, or Firm*—Grace J. Fishel

(22) Filed: **Nov. 5, 2007**

(57) **CLAIM**

The ornamental design for a mold hanger insert, as shown and described.

(51) **LOC (8) Cl.** **06-08**

(52) **U.S. Cl.** **D6/328**

(58) **Field of Classification Search** D6/315,
D6/328; D8/349, 354, 367, 382; 211/106.01,
211/183; 248/62, 65, 121, 200, 534; 223/85–98
See application file for complete search history.

DESCRIPTION

FIG. 1 is a perspective view of a mold hanger Insert showing my new design;

FIG. 2 is a front elevation thereof;

FIG. 3 is a rear elevation thereof;

FIG. 4 is a top plan view thereof, the bottom plan view being a mirror image;

FIG. 5 is a left end elevation thereof as viewed in FIG. 1; and,

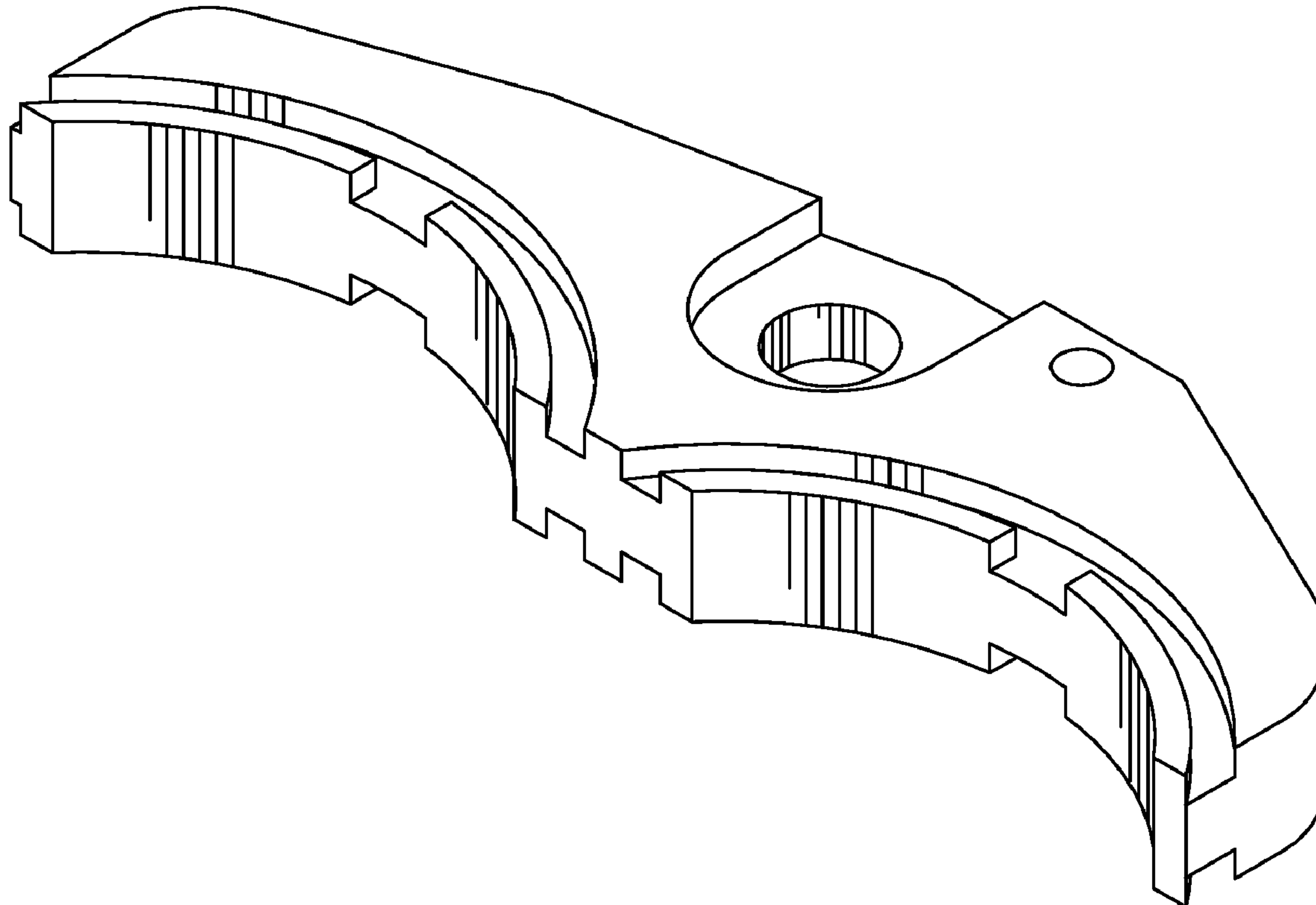
FIG. 6 is a right end elevation thereof as viewed in FIG. 1.

(56) **References Cited**

U.S. PATENT DOCUMENTS

D308,579 S *	6/1990	Benedict et al.	D6/328
D383,910 S *	9/1997	Maxwell	D6/328
D478,499 S *	8/2003	Winig et al.	D8/367
D495,243 S *	8/2004	Winig et al.	D8/367
D495,944 S *	9/2004	Winig et al.	D8/367

1 Claim, 2 Drawing Sheets



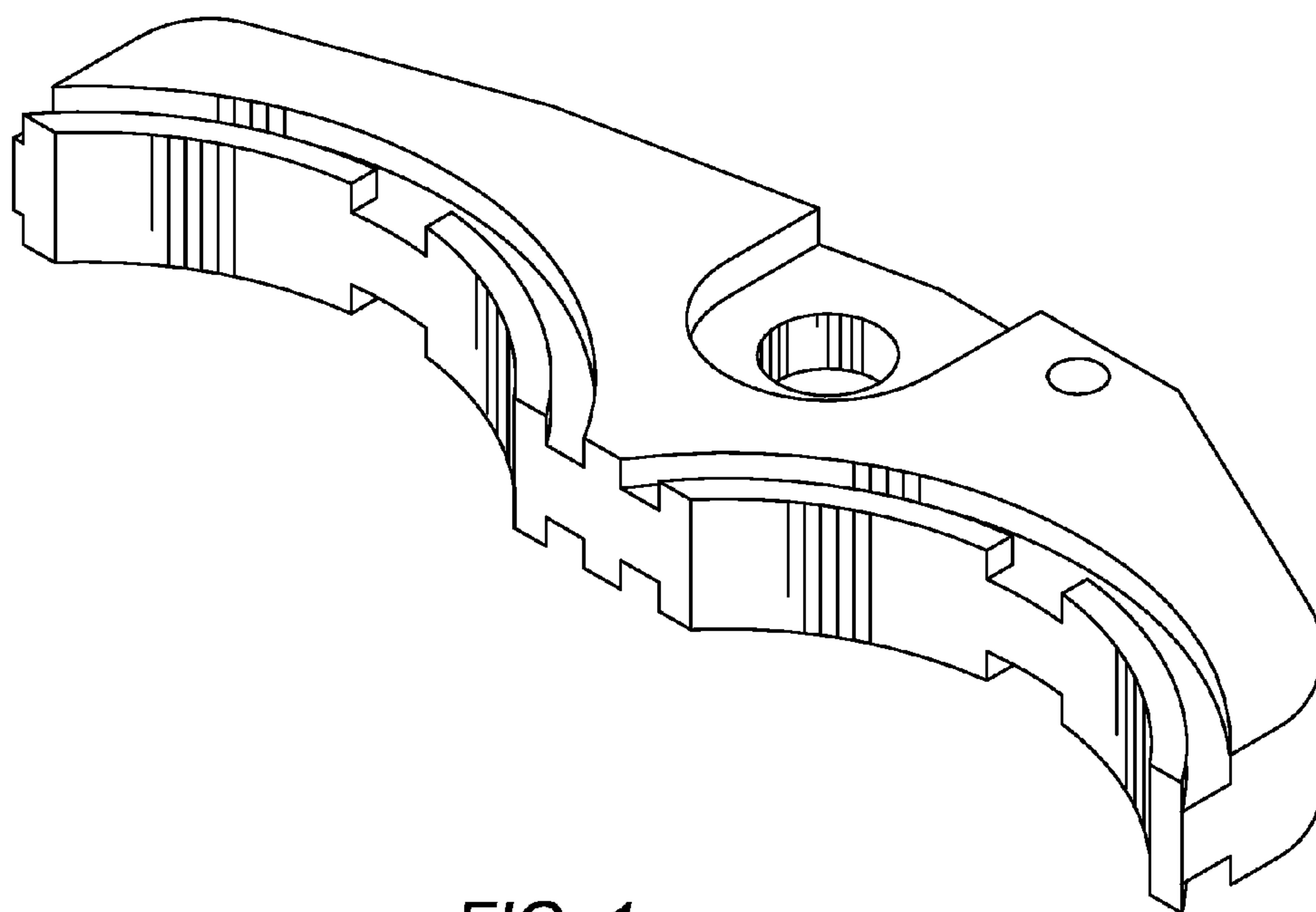


FIG. 1

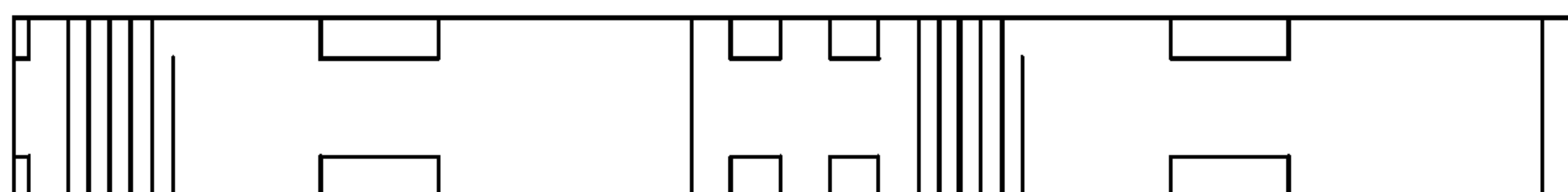


FIG. 2

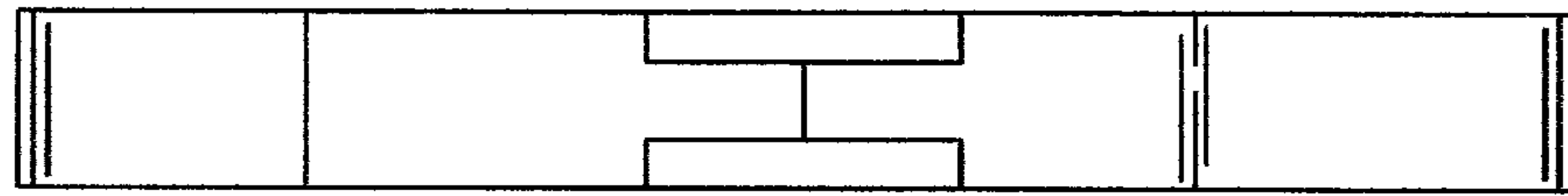


FIG. 3

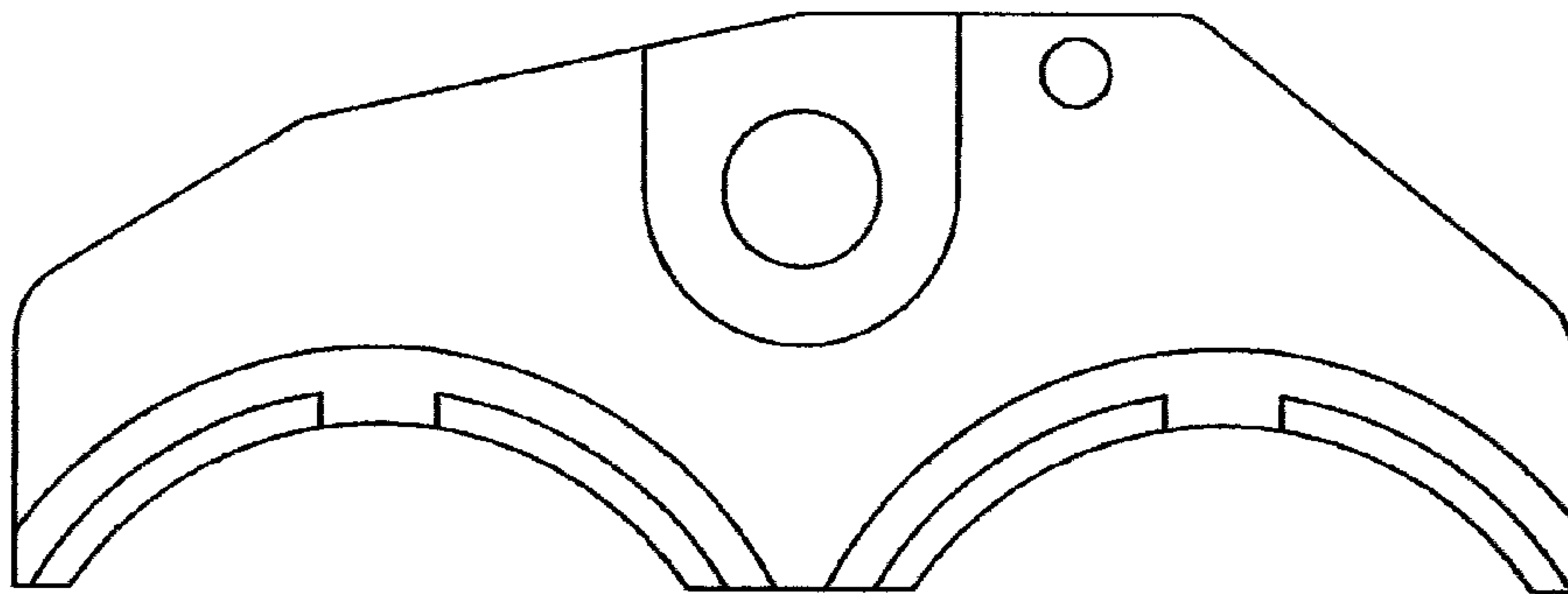


FIG. 4



FIG. 5

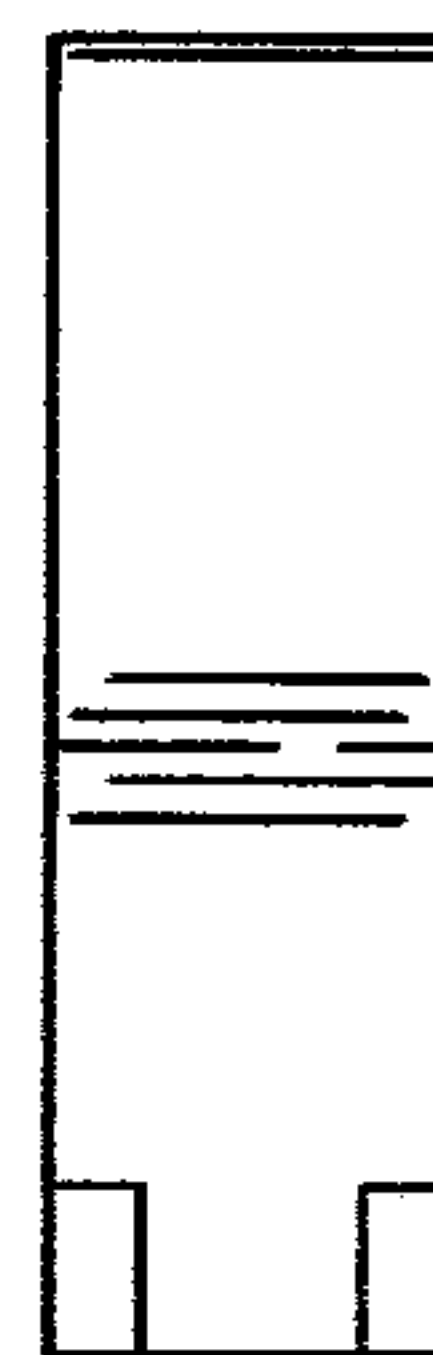


FIG. 6