



US00D581675S

(12) **United States Design Patent**
Murray

(10) **Patent No.:** **US D581,675 S**
(45) **Date of Patent:** **** Dec. 2, 2008**

(54) **HANDLE FOR A POWER SCRUBBER**

(75) Inventor: **Christopher J. Murray**, Baltimore, MD (US)

(73) Assignee: **Black & Decker Inc.**, Newark, DE (US)

(**) Term: **14 Years**

(21) Appl. No.: **29/288,943**

(22) Filed: **Jun. 27, 2007**

(51) **LOC (8) Cl.** **04-01**

(52) **U.S. Cl.** **D4/138; D4/102**

(58) **Field of Classification Search** D4/114, D4/122, 128, 138, 100, 102; D23/213, 223, D23/228; 15/23, 24, 26, 27, 179; 401/137, 401/138, 144, 197, 220, 268, 270, 281
See application file for complete search history.

(56) **References Cited**

U.S. PATENT DOCUMENTS

3,024,487	A	3/1962	Jones et al.	
3,748,678	A *	7/1973	Ballou	15/24
D262,670	S *	1/1982	Wellin	D4/102
4,409,755	A	10/1983	Maddock	
4,552,476	A	11/1985	Heraty et al.	
4,778,298	A	10/1988	Shin et al.	
D314,649	S *	2/1991	Campbell et al.	D32/17
4,997,302	A *	3/1991	Simonette	401/170
5,735,620	A	4/1998	Ford	
D417,552	S *	12/1999	Snetting et al.	D4/138
6,425,701	B1	7/2002	Jacobs	
7,044,674	B2	5/2006	Dixon et al.	

2007/0089252 A1* 4/2007 Wilkins 15/50.3

* cited by examiner

Primary Examiner—Cathron Brooks

Assistant Examiner—Lavone D Tabor

(74) *Attorney, Agent, or Firm*—John Yun; Bruce S. Shapiro; Wesley Muller

(57) **CLAIM**

The ornamental design for a handle for a power scrubber, as shown and described.

DESCRIPTION

FIG. 1 is a top perspective view of a handle for a power scrubber of the present invention.

FIG. 2 is a front view of the handle for a power scrubber according to FIG. 1.

FIG. 3 is a rear view of the handle for a power scrubber according to FIG. 1.

FIG. 4 is a right side view of the handle for a power scrubber according to FIG. 1.

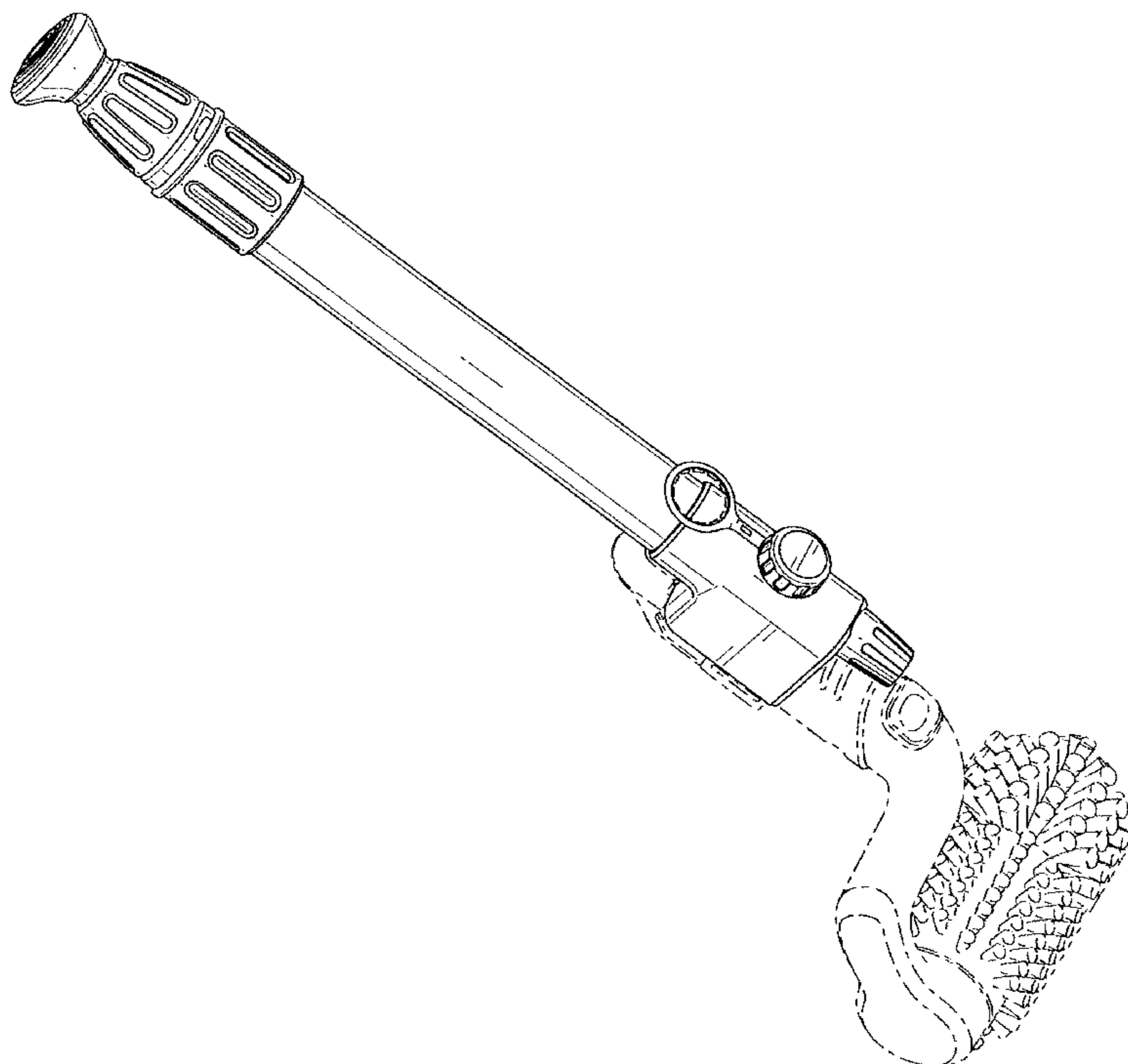
FIG. 5 is a left side view of the handle for a power scrubber according to FIG. 1.

FIG. 6 is a top view of the handle for a power scrubber according to FIG. 1; and,

FIG. 7 is a bottom view of the handle for a power scrubber according to FIG. 1.

In the above drawings the broken lines and the areas within the broken lines form no part of the claimed design.

1 Claim, 4 Drawing Sheets



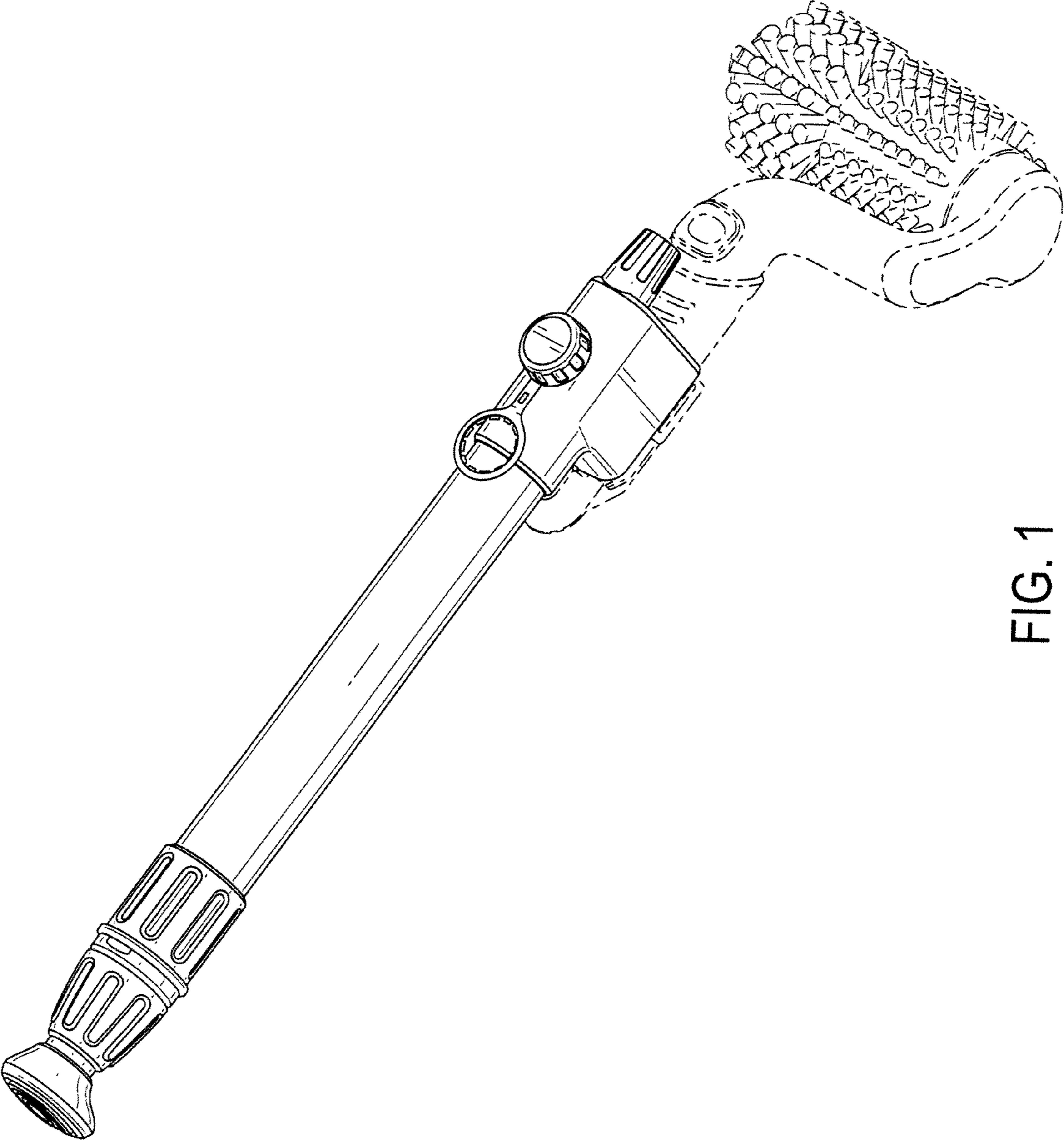


FIG. 1

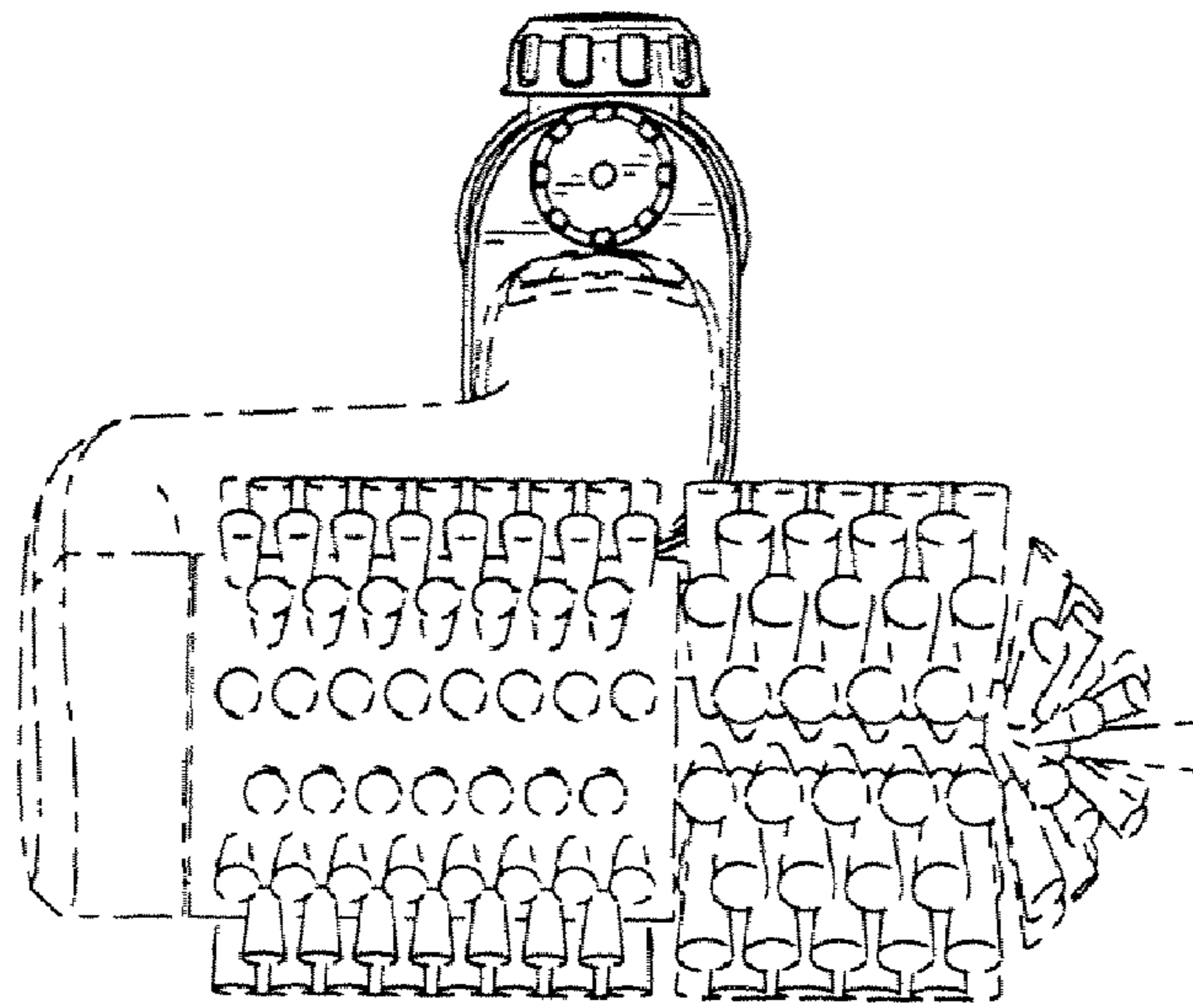


FIG. 2

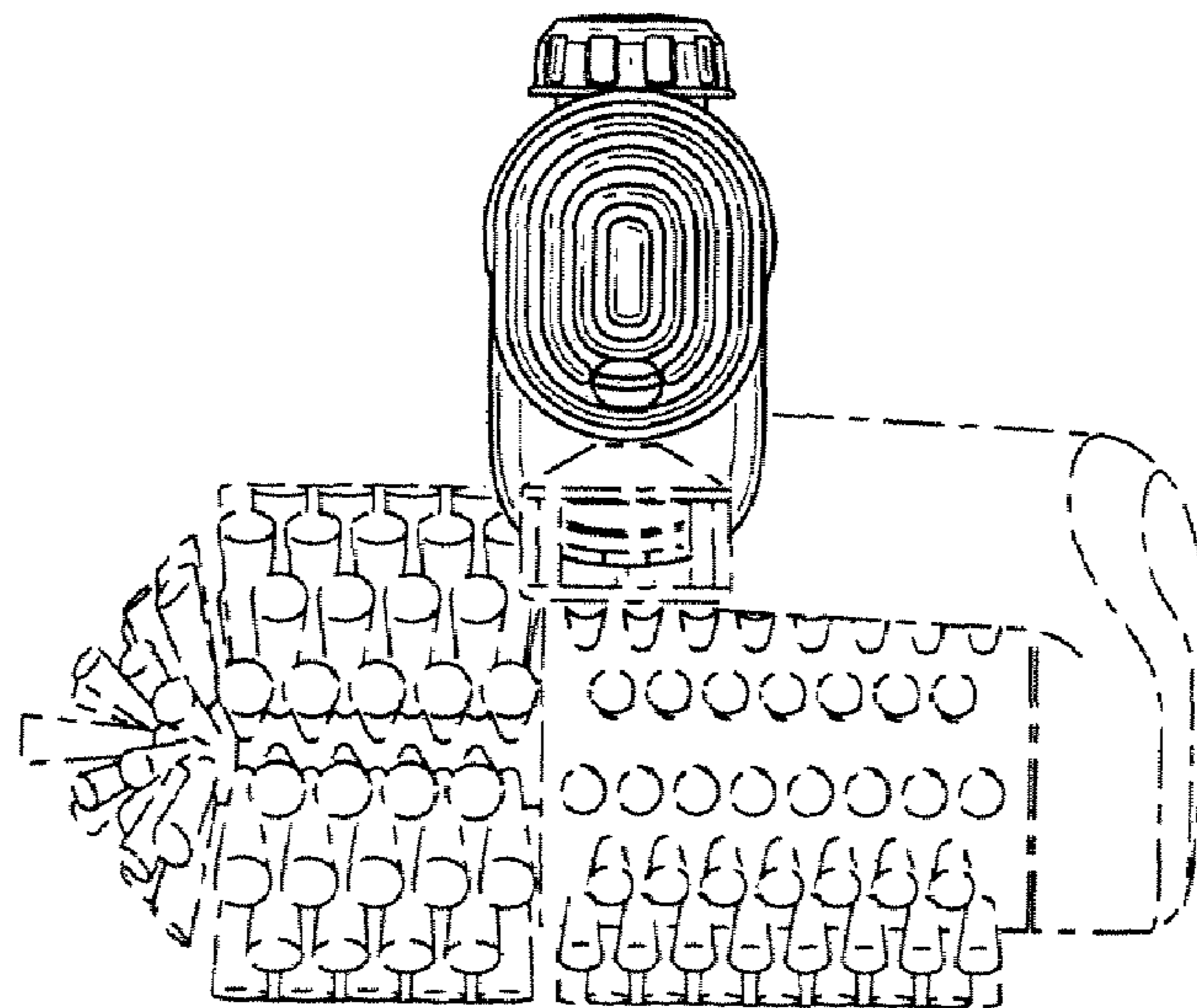


FIG. 3

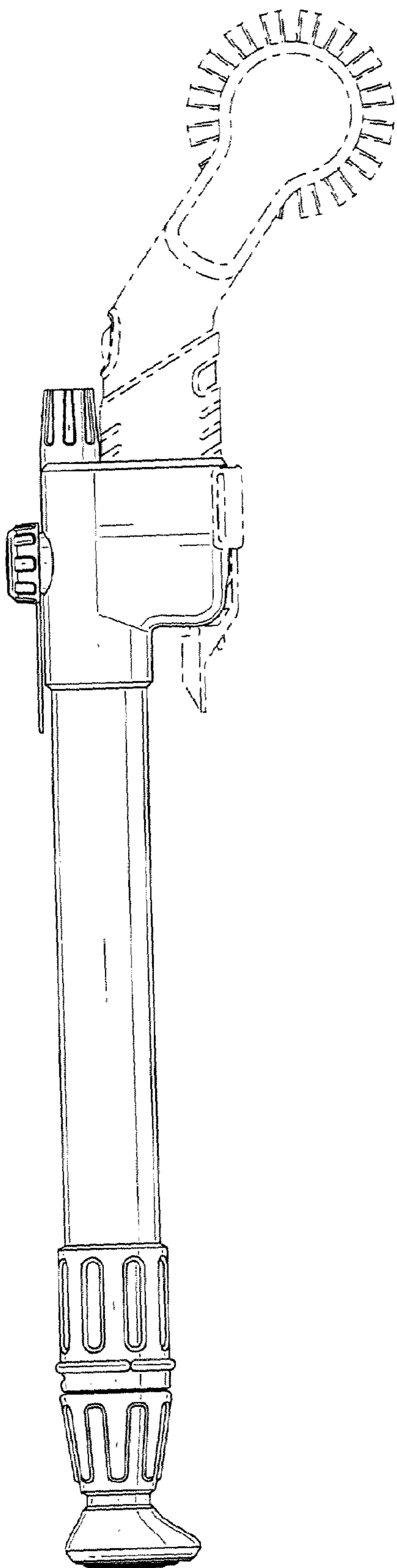


FIG. 4

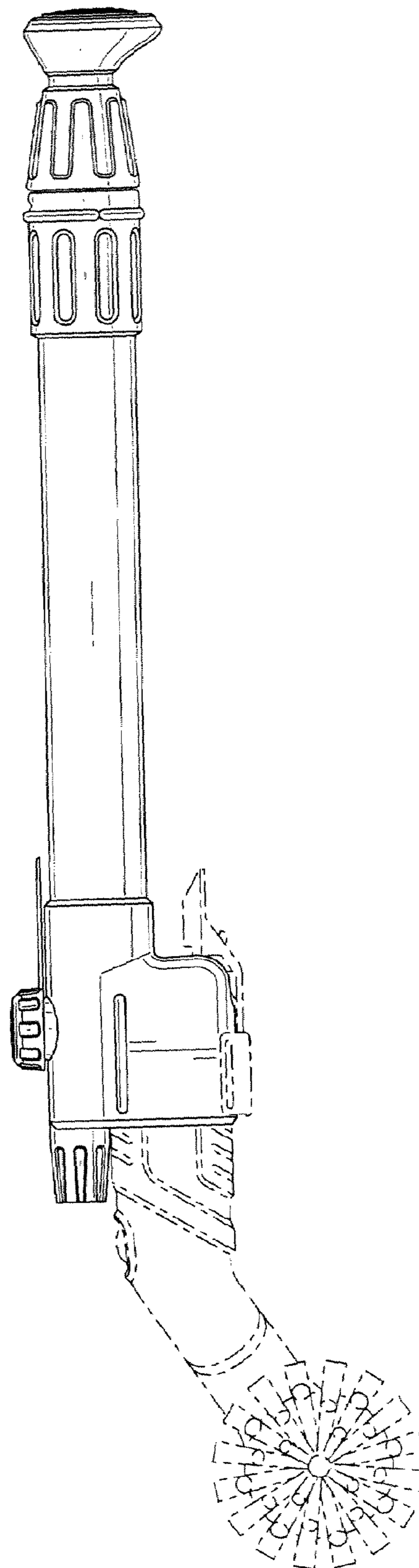


FIG. 5

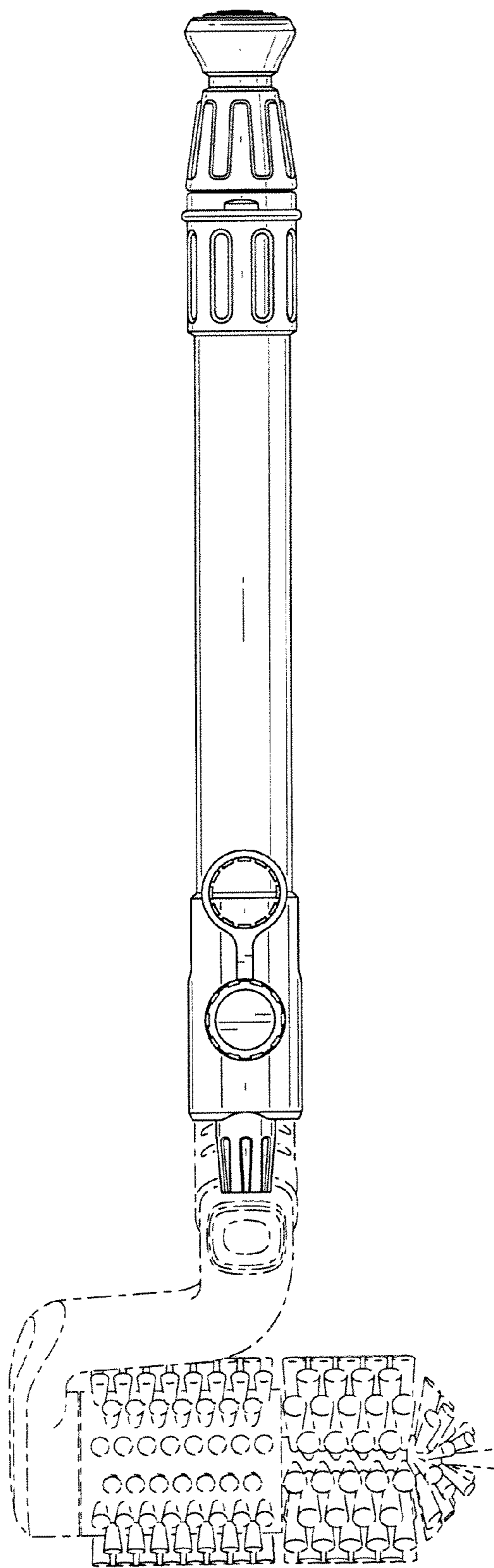


FIG. 6

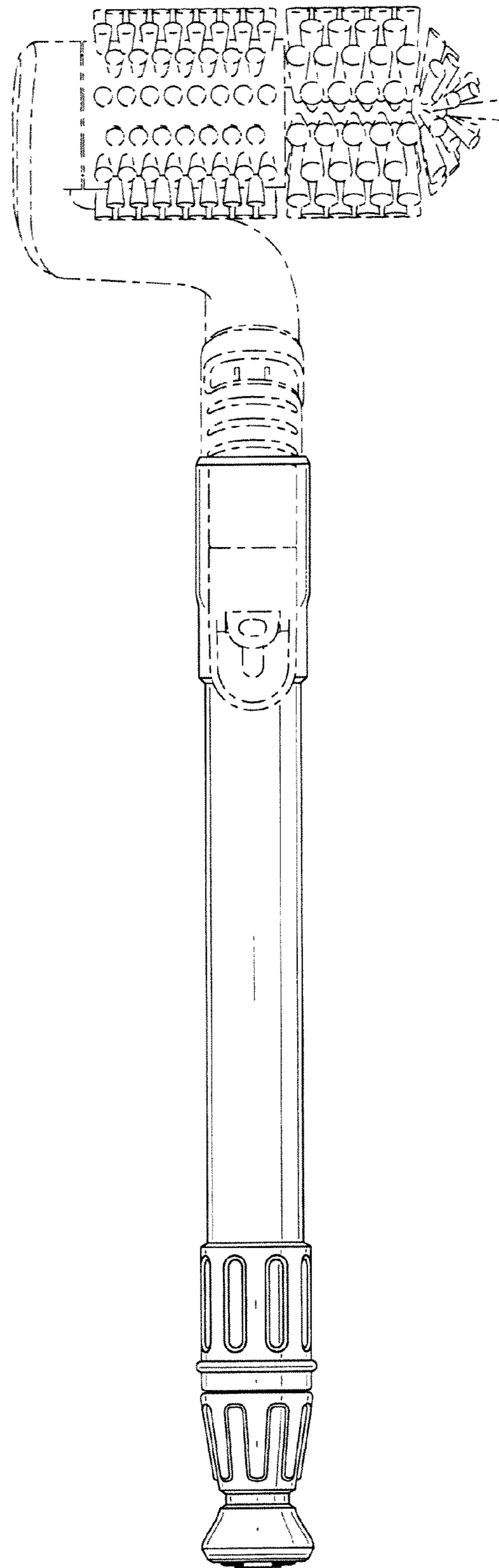


FIG. 7