



US00D581673S

(12) **United States Design Patent**
Dumler et al.

(10) **Patent No.:** **US D581,673 S**
(45) **Date of Patent:** **** Dec. 2, 2008**

(54) **MASCARA BRUSH**

(75) Inventors: **Norbert Dumler**, Ansbach (DE);
Daniela Kulik, Feuchtwangen (DE)

(73) Assignee: **Geka Brush GmbH**,
Bechhofen-Waizendorf (DE)

(**) Term: **14 Years**

(21) Appl. No.: **29/269,761**

(22) Filed: **Dec. 8, 2006**

(30) **Foreign Application Priority Data**

Jun. 8, 2006 (EM) 000540869-0003

(51) **LOC (8) Cl.** **04-02**

(52) **U.S. Cl.** **D4/128; D4/136**

(58) **Field of Classification Search** 15/207.2,
15/206, DIG. 15, 27, 188; 132/218, 317,
132/320; 401/122, 126, 127, 129; D4/128,
D4/136; D28/7

See application file for complete search history.

(56) **References Cited**

U.S. PATENT DOCUMENTS

5,345,644 A * 9/1994 Gueret 132/218
5,709,230 A * 1/1998 Miraglia 132/218
6,616,366 B1 * 9/2003 Weihrauch 132/218
2003/0172485 A1 * 9/2003 Dumler et al. 132/218

2005/0034740 A1 * 2/2005 Eckers et al. 132/218
2006/0002758 A1 * 1/2006 Gueret 401/129
2006/0260633 A1 * 11/2006 Wyatt et al. 132/218
2006/0289027 A1 * 12/2006 Wyatt et al. 132/218
2007/0033759 A1 * 2/2007 Dumler 15/187
2007/0034223 A1 * 2/2007 Dumler et al. 132/218
2007/0062551 A1 * 3/2007 De Brouwer et al. 132/218

* cited by examiner

Primary Examiner—Jennifer Rivard

(74) *Attorney, Agent, or Firm*—Browdy and Neimark,
P.L.L.C.

(57) **CLAIM**

The ornamental design for mascara brush, as shown and described.

DESCRIPTION

FIG. 1 is an enlarged view of the identified portion of the mascara brush of FIG. 4 showing our new design;

FIG. 2 is a top view of the mascara brush of FIG. 4;

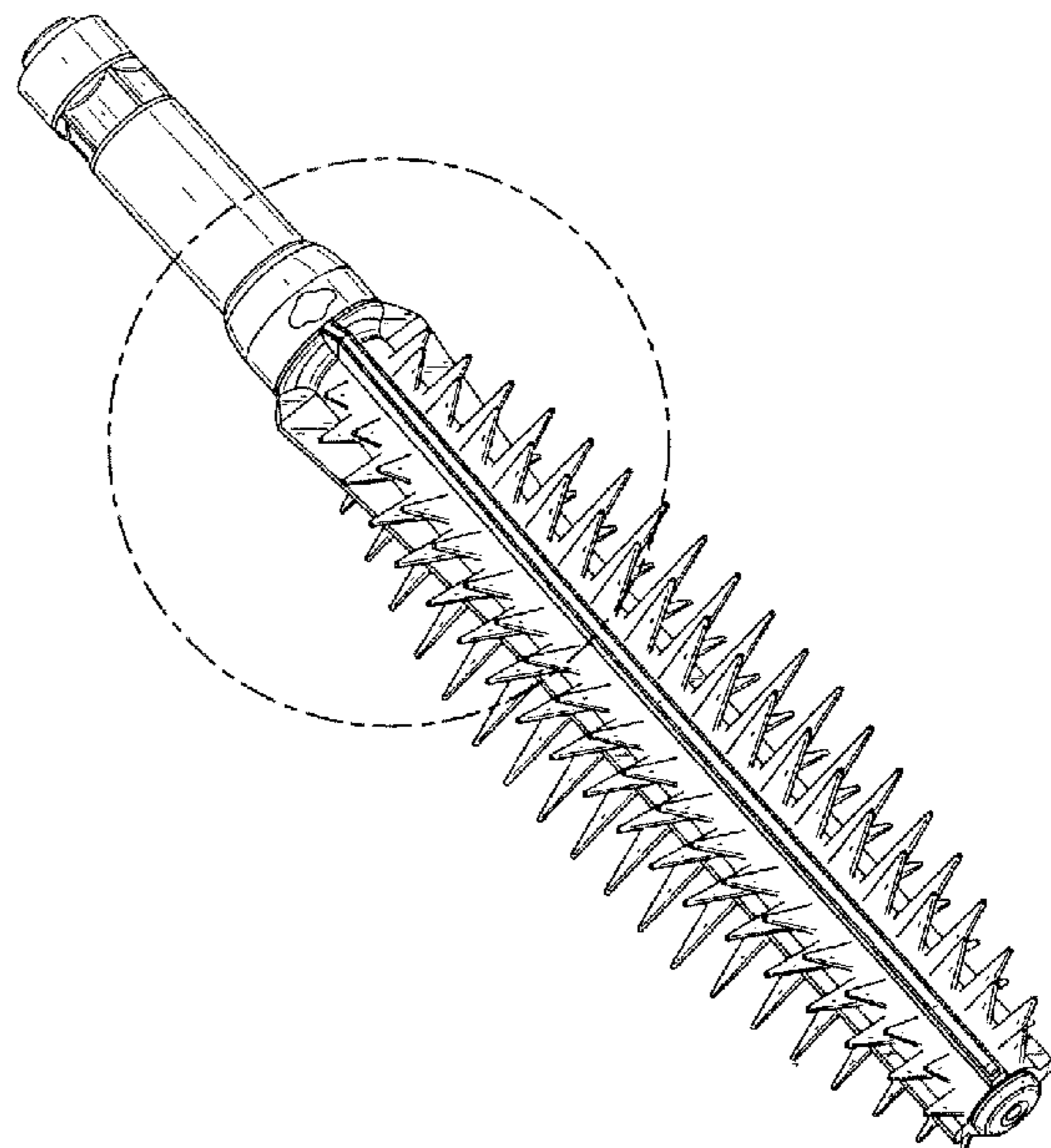
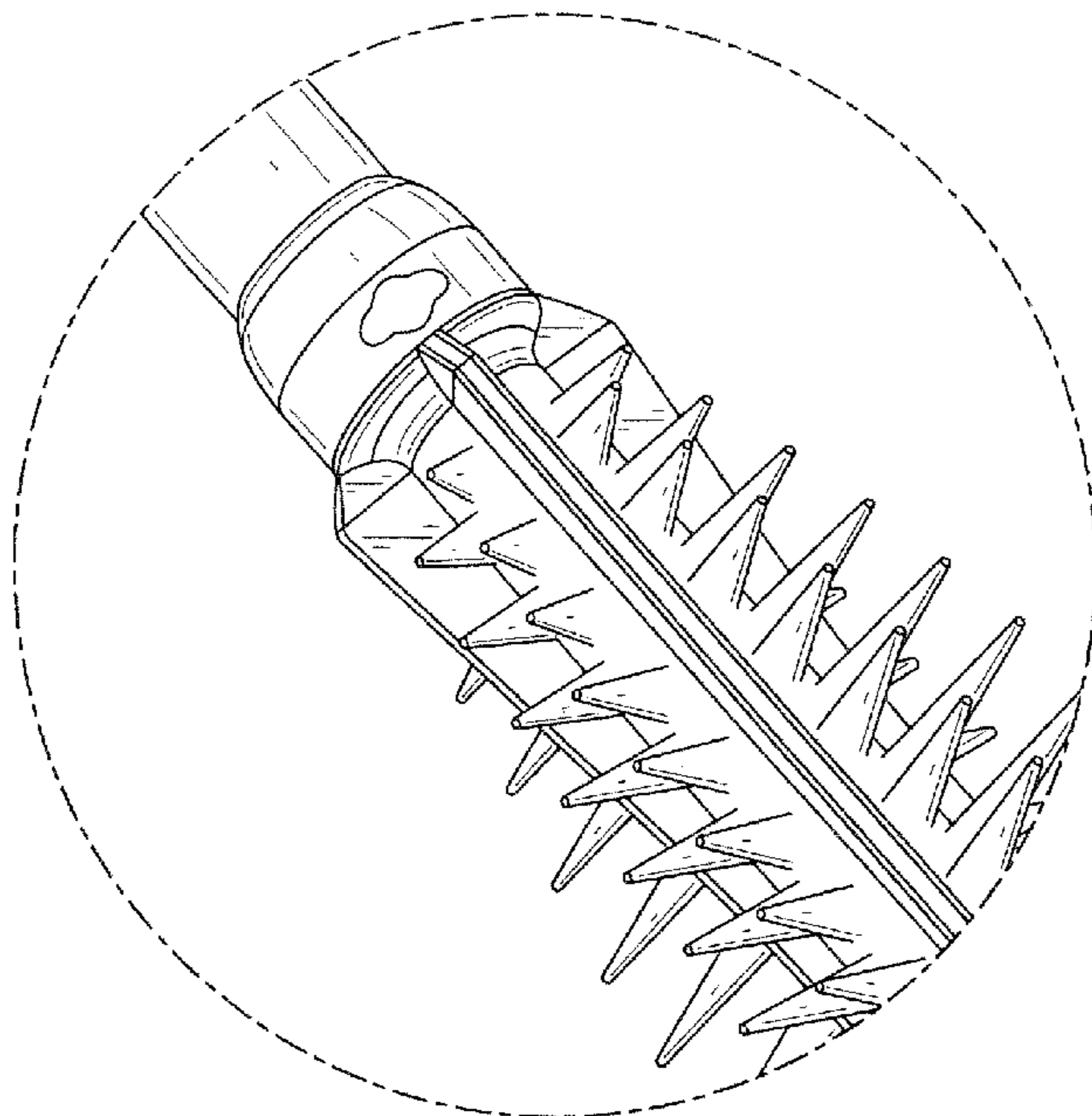
FIG. 3 is a rear view of the mascara brush of FIG. 4;

FIG. 4 is a perspective view of the mascara brush showing our new design;

FIG. 5 is a lateral view (right side) of the mascara brush of FIG. 4; and,

FIG. 6 is a lateral view (left side) of the mascara brush of FIG. 4.

1 Claim, 6 Drawing Sheets



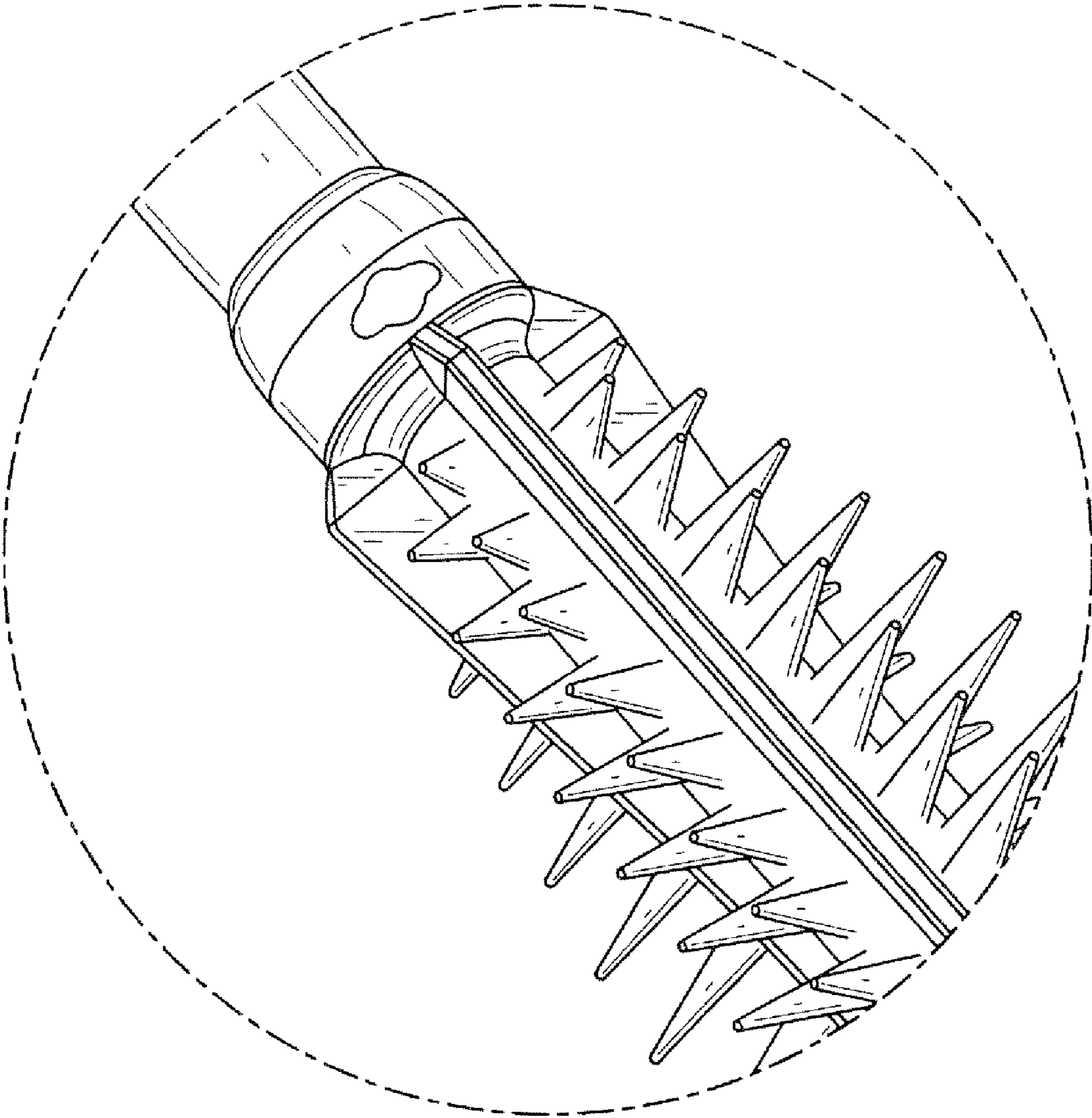


FIG. 1

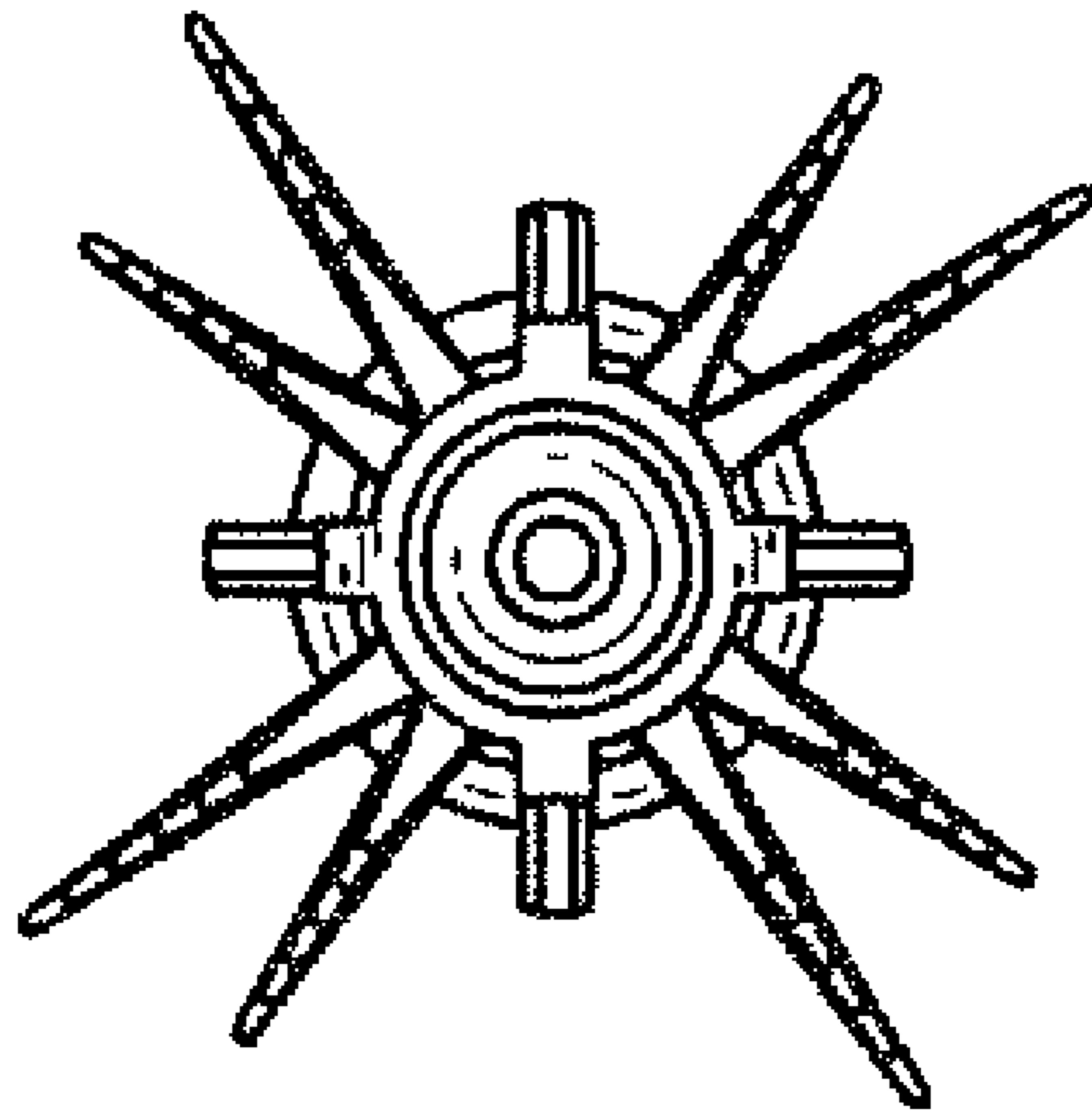


FIG. 2

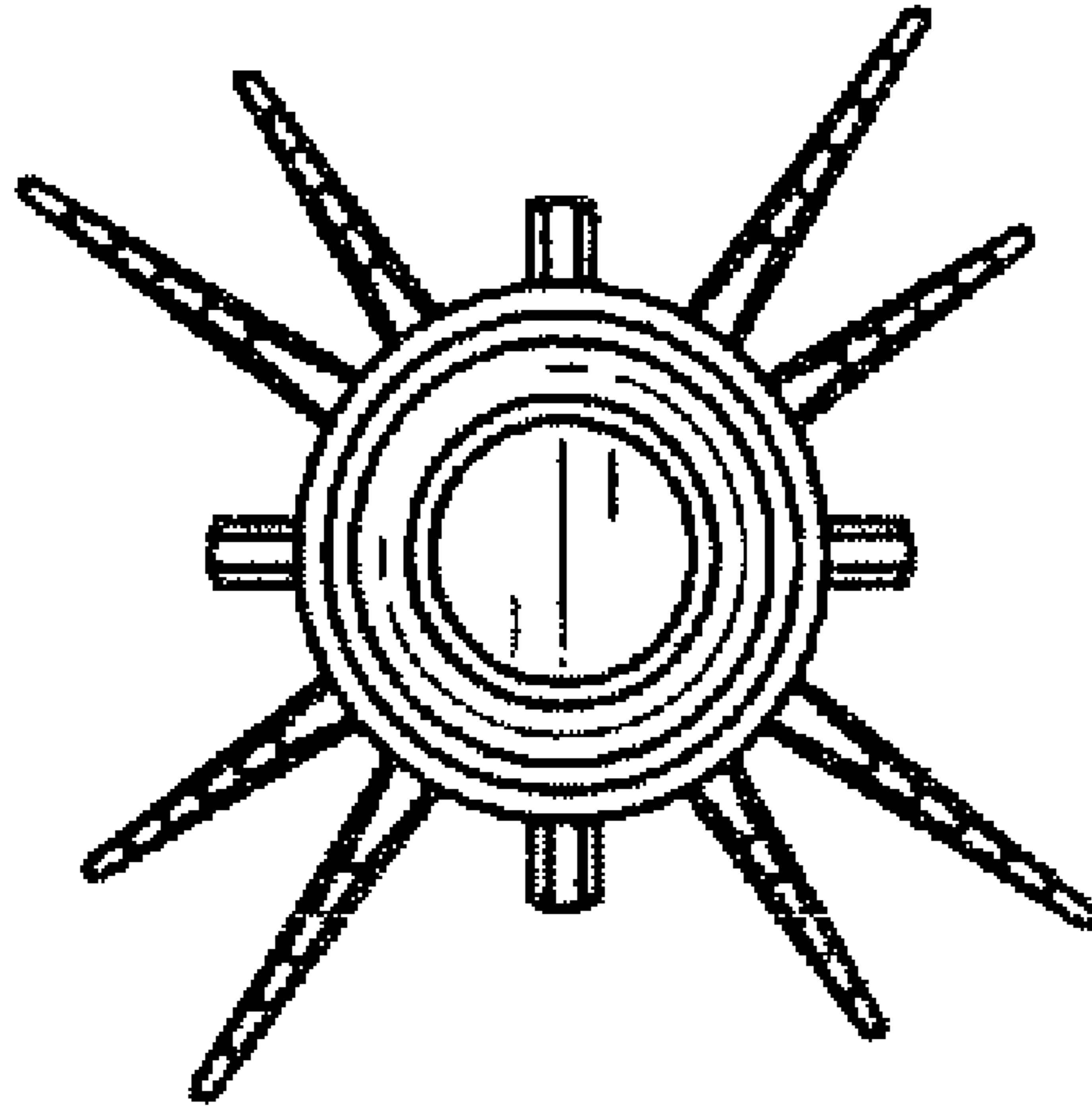


FIG. 3

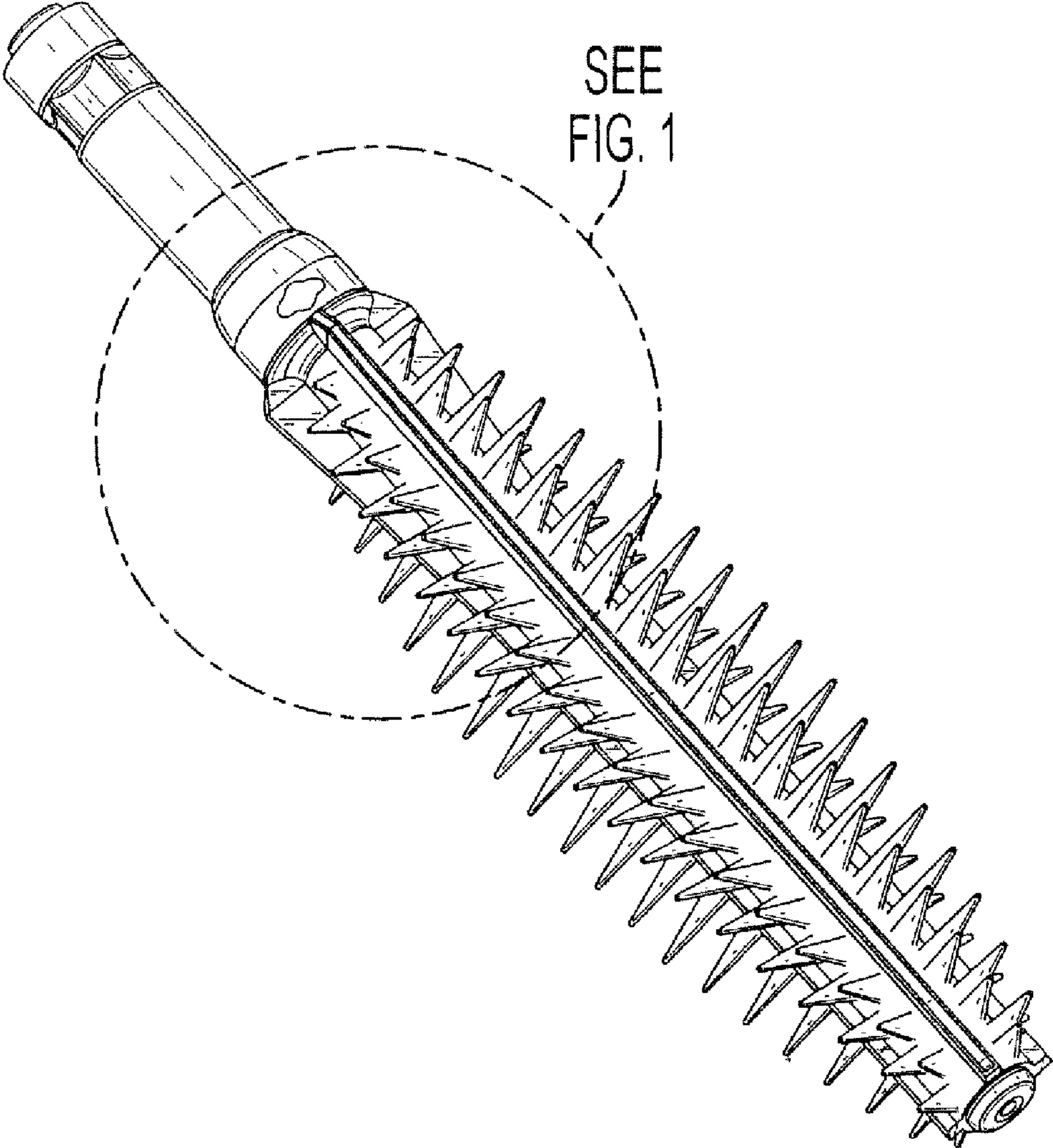


FIG. 4

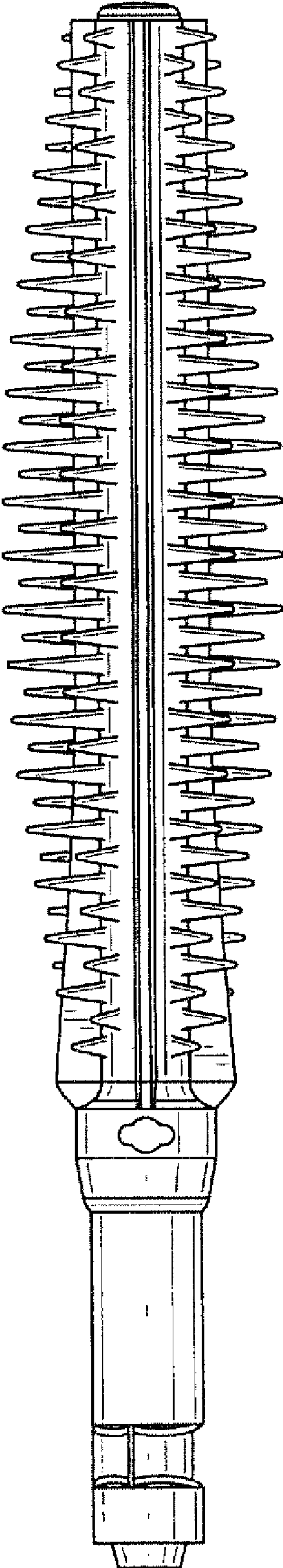


FIG. 5

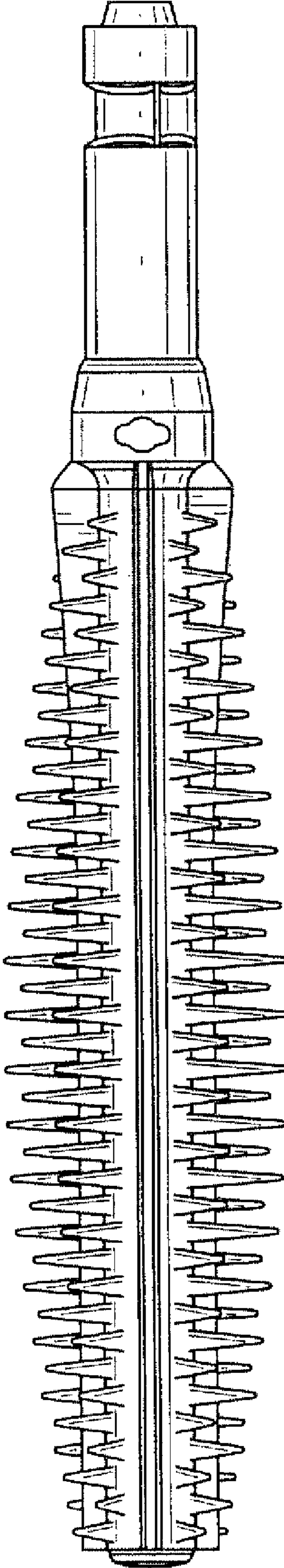


FIG. 6