



US00D581671S

(12) **United States Design Patent**
Gonzalez

(10) **Patent No.:** **US D581,671 S**
(45) **Date of Patent:** **** Dec. 2, 2008**

(54) **HANDBAG**

(75) Inventor: **Alvaro Gonzalez**, Florence (IT)

(73) Assignee: **J. Choo Limited**, London (GB)

(**) Term: **14 Years**

(21) Appl. No.: **29/294,108**

(22) Filed: **Dec. 20, 2007**

(30) **Foreign Application Priority Data**

Jul. 4, 2007 (EM) 000756051-0001

(51) **LOC (8) Cl.** **03-01**

(52) **U.S. Cl.** **D3/322**

(58) **Field of Classification Search** D3/232-234,
D3/240-246, 318, 322, 324; 150/100, 103-104,
150/107-110, 114, 118-119

See application file for complete search history.

(56) **References Cited**

U.S. PATENT DOCUMENTS

D383,000 S *	9/1997	Fendi	D3/324
D507,882 S *	8/2005	Gonzalez	D3/326
D513,880 S *	1/2006	Domotor et al.	D3/322
D518,959 S *	4/2006	Gonzalez	D3/318
D532,200 S *	11/2006	Gonzalez	D3/326
D549,963 S *	9/2007	Gonzalez	D3/324

OTHER PUBLICATIONS

Cecile Mop, photograph, first disclosed Jul. 12, 2007.

Cloude, photograph, first disclosed Jul. 12, 2007.

U.S. Appl. No. 29/301,313, filed Feb. 22, 2008.

U.S. Appl. No. 29/289,257, filed Jul. 13, 2007.

U.S. Appl. No. 29/262,980, filed Jul. 14, 2006.

U.S. Appl. No. 29/263,036, filed Jul. 14, 2006.

* cited by examiner

Primary Examiner—Holly H Baynham

(74) *Attorney, Agent, or Firm*—Fross Zelnick, Lehrman & Zissu, P.C.; Lawrence E. Apolzon, Esq.

(57) **CLAIM**

The ornamental design for a handbag, as shown and described.

DESCRIPTION

FIG. 1 is a front perspective view of a handbag showing my new design;

FIG. 2 is a front view of the handbag shown in FIG. 1;

FIG. 3 is a rear view of the handbag shown in FIG. 1;

FIG. 4 is a right side view of the handbag shown in FIG. 1 (with the left side view being a mirror image thereof);

FIG. 5 is a top view of the handbag shown in FIG. 1;

FIG. 6 is a bottom view of the handbag shown in FIG. 1;

FIG. 7 is a front perspective view of an alternative embodiment of the handbag shown in FIG. 1;

FIG. 8 is a front view of the alternative embodiment of the handbag shown in FIG. 7;

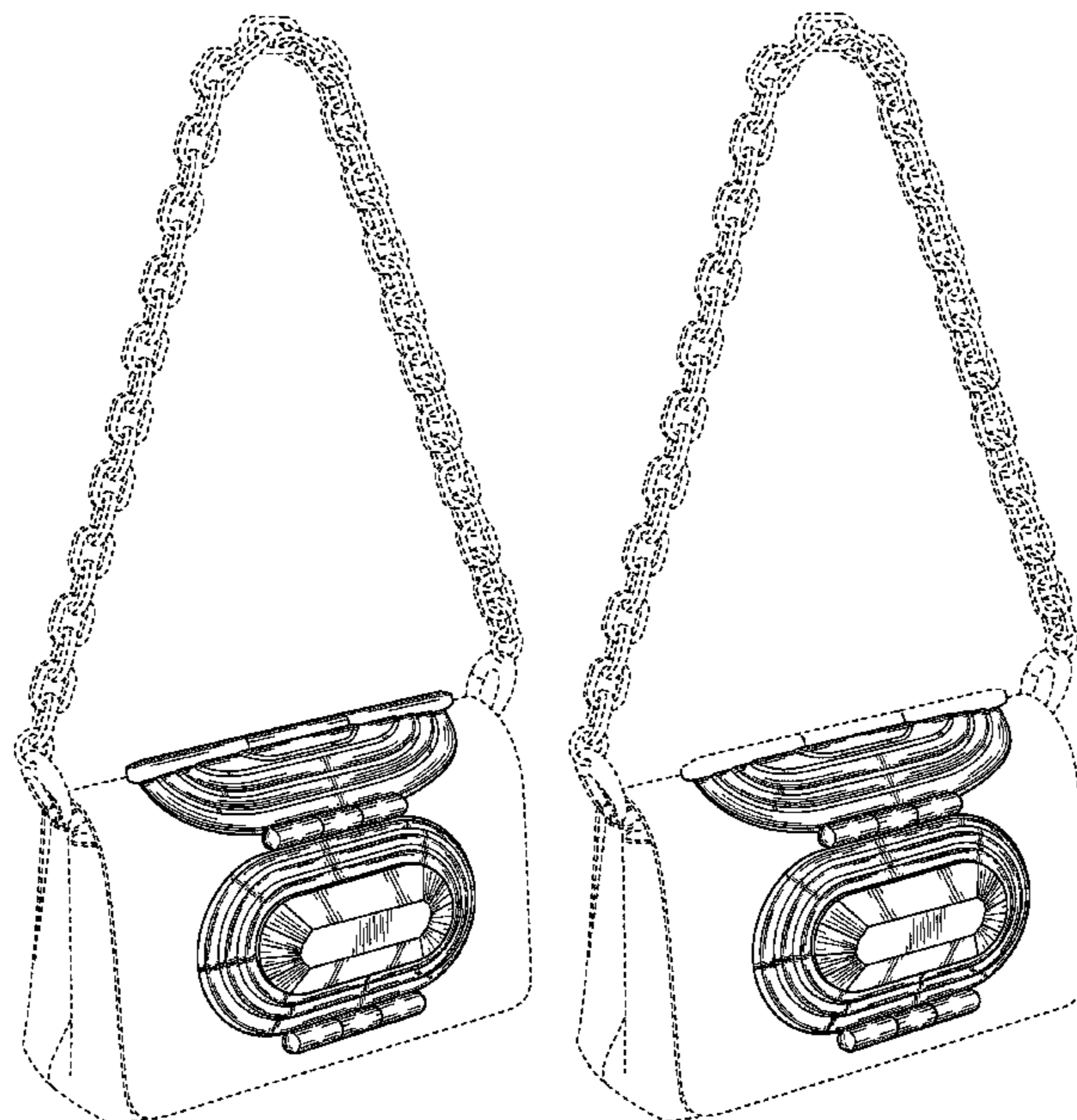
FIG. 9 is a right side view of the alternative embodiment of the handbag shown in FIG. 7 (with the left side view being a mirror image thereof);

FIG. 10 is a top view of the alternative embodiment of the handbag shown in FIG. 7; and,

FIG. 11 is a bottom view of the alternative embodiment of the handbag shown in FIG. 7.

The broken line showing of the body of the bag, handle of bag, top bar and rear side jewel piece is for illustrative purposes only and forms no part of the claimed design.

1 Claim, 11 Drawing Sheets



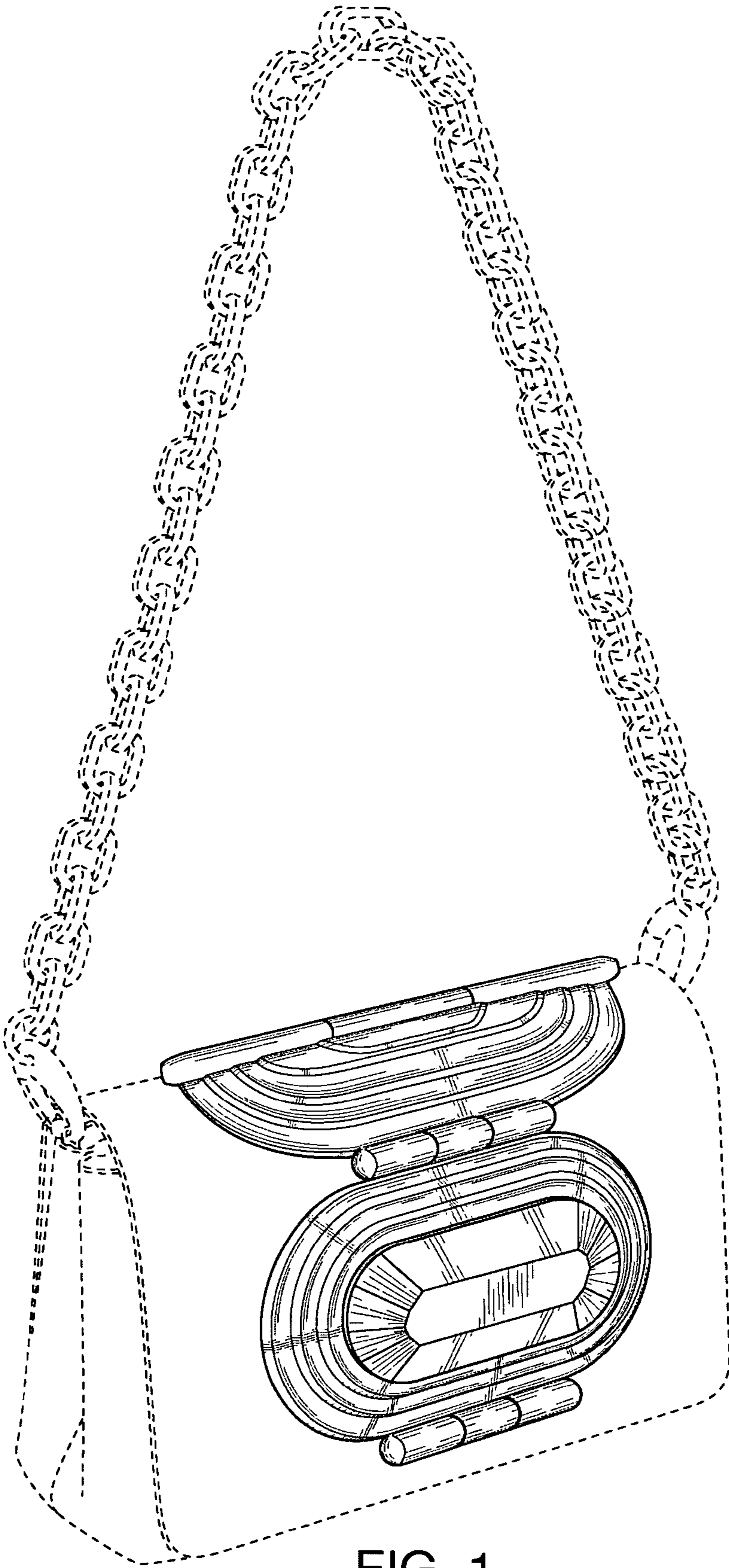


FIG. 1

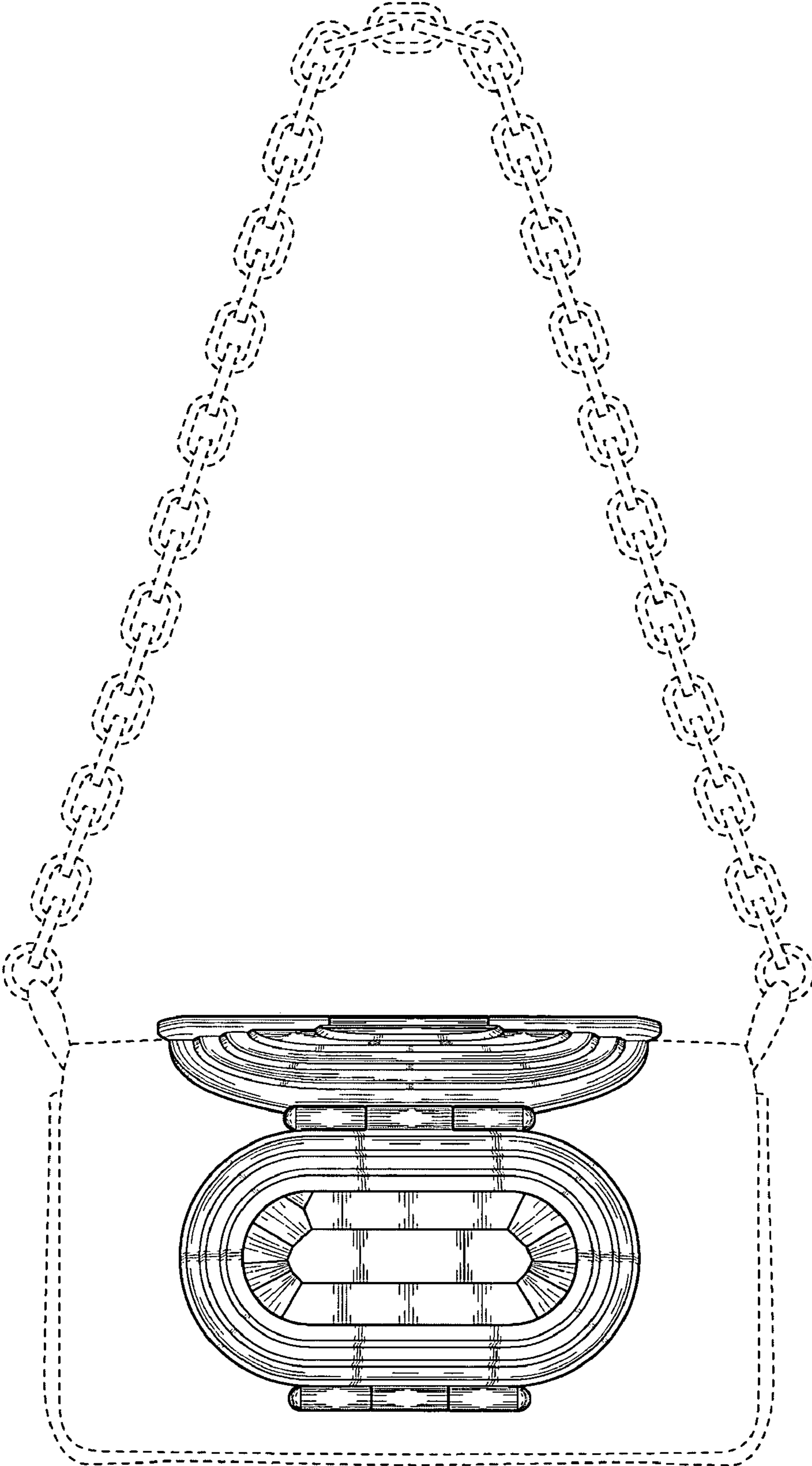


FIG. 2

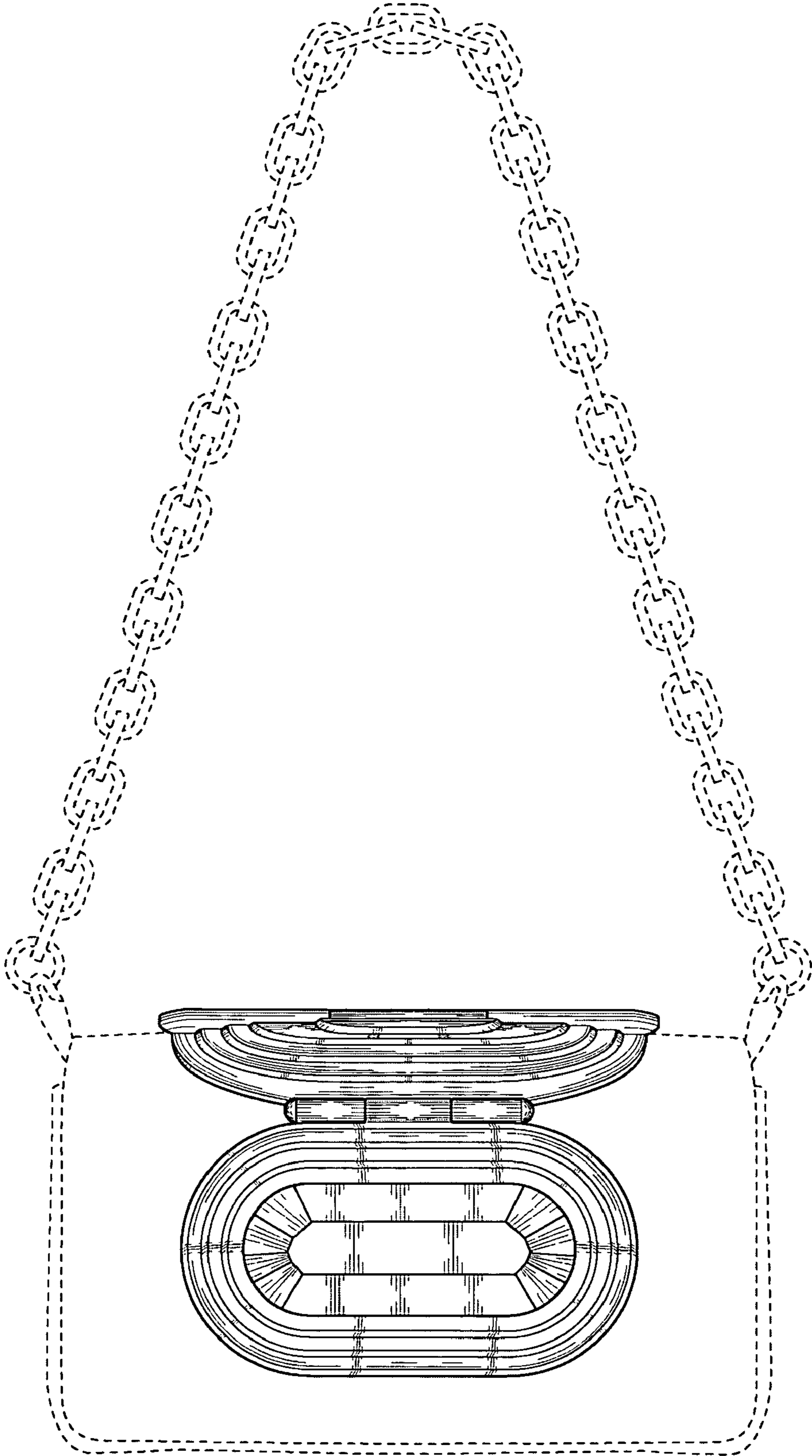


FIG. 3

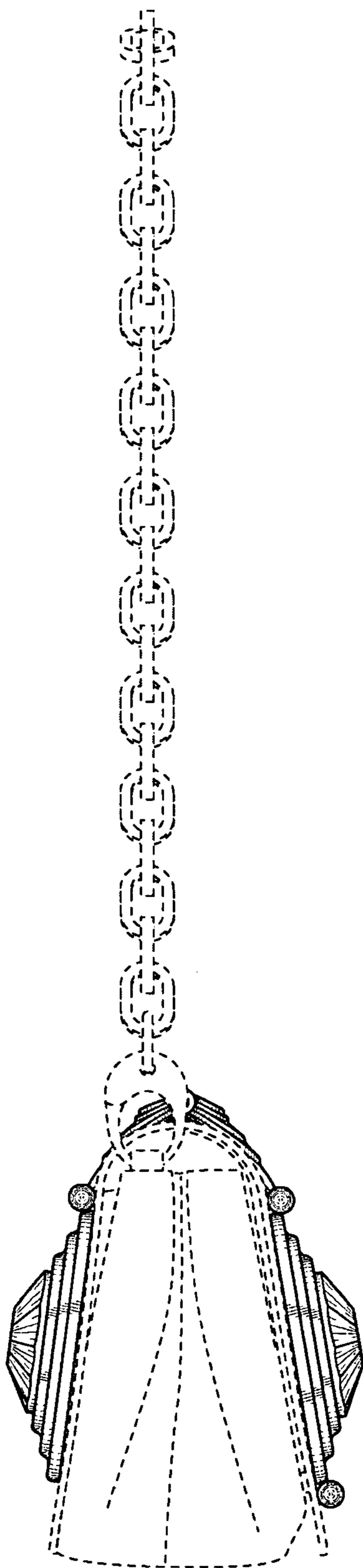


FIG. 4

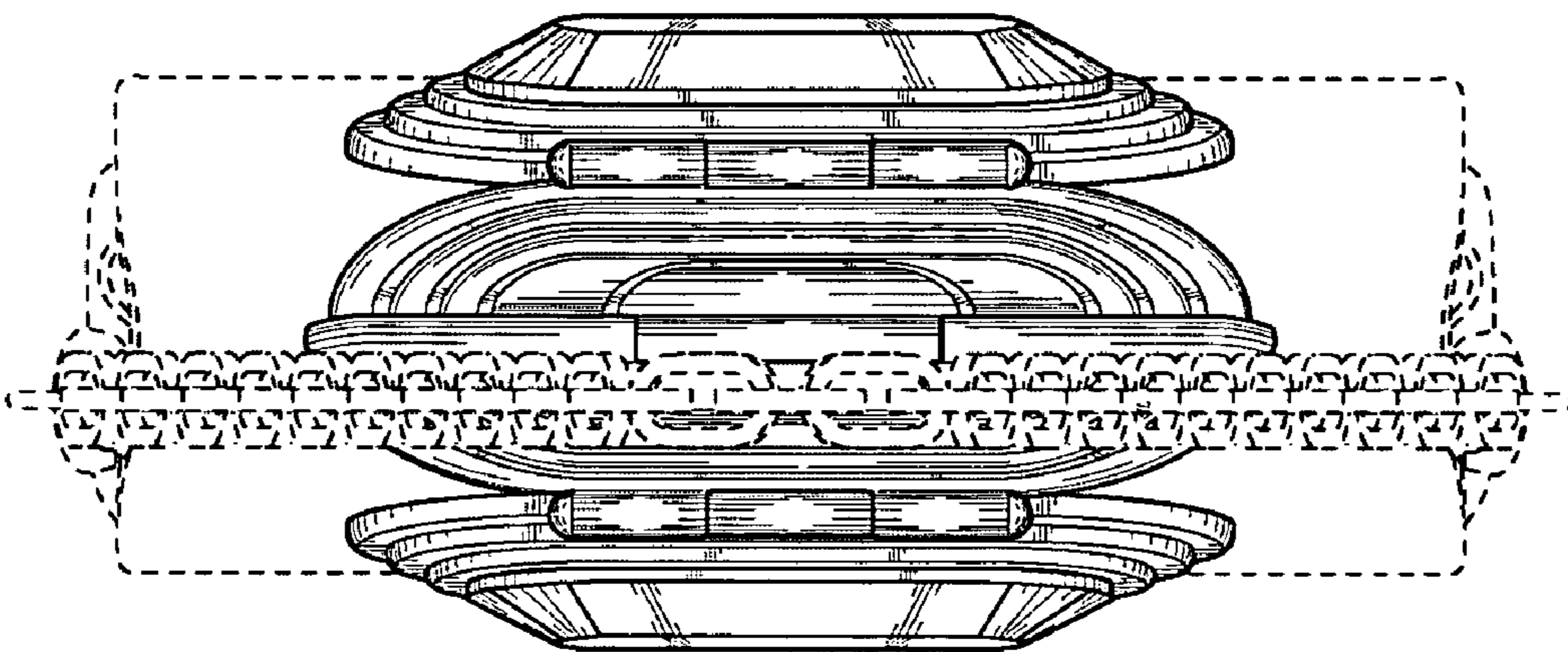


FIG. 5

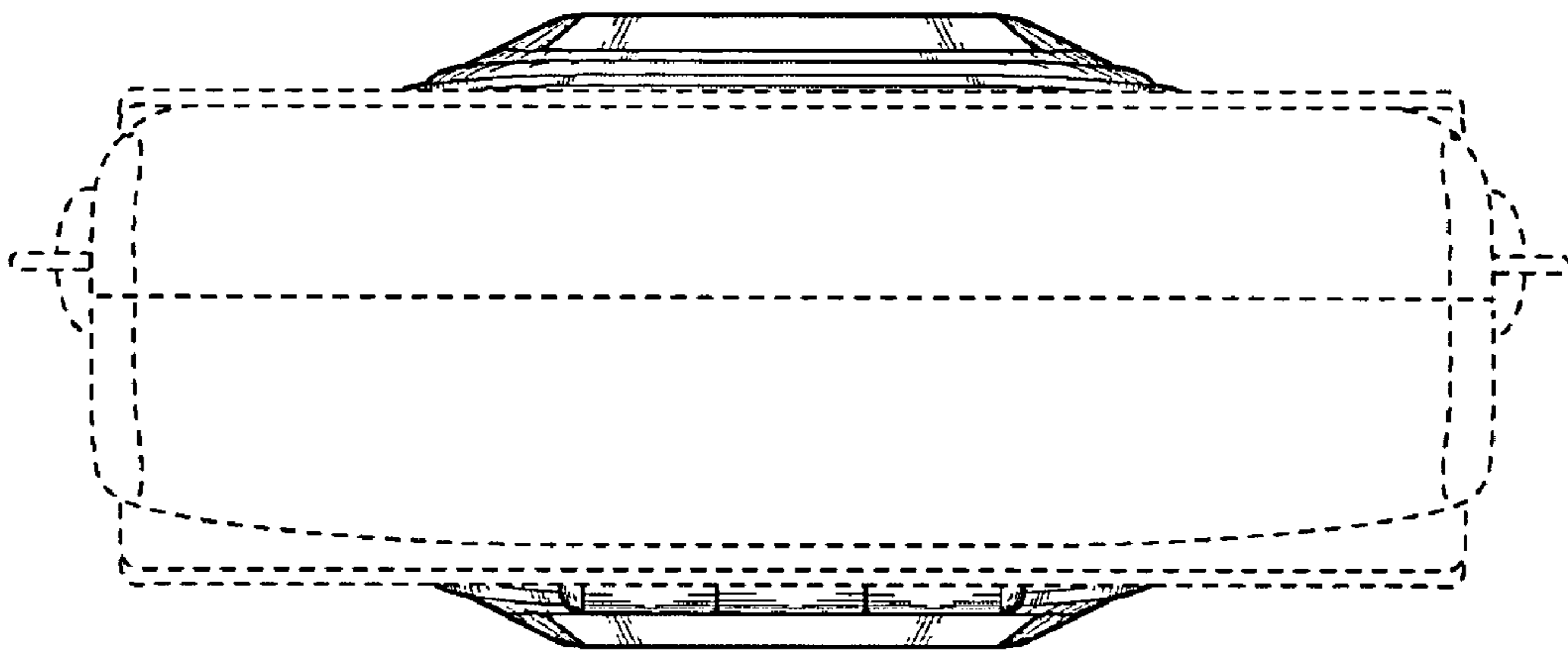


FIG. 6

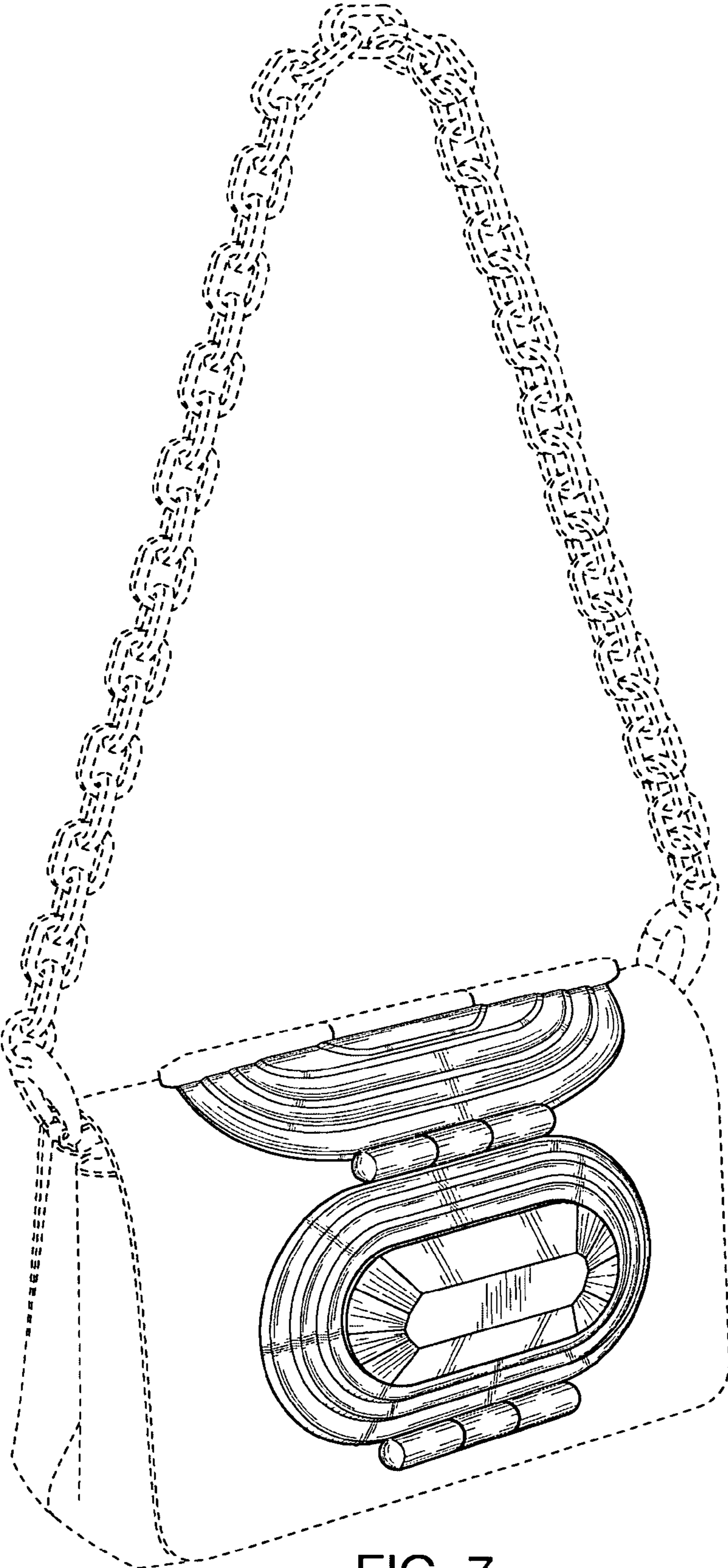


FIG. 7

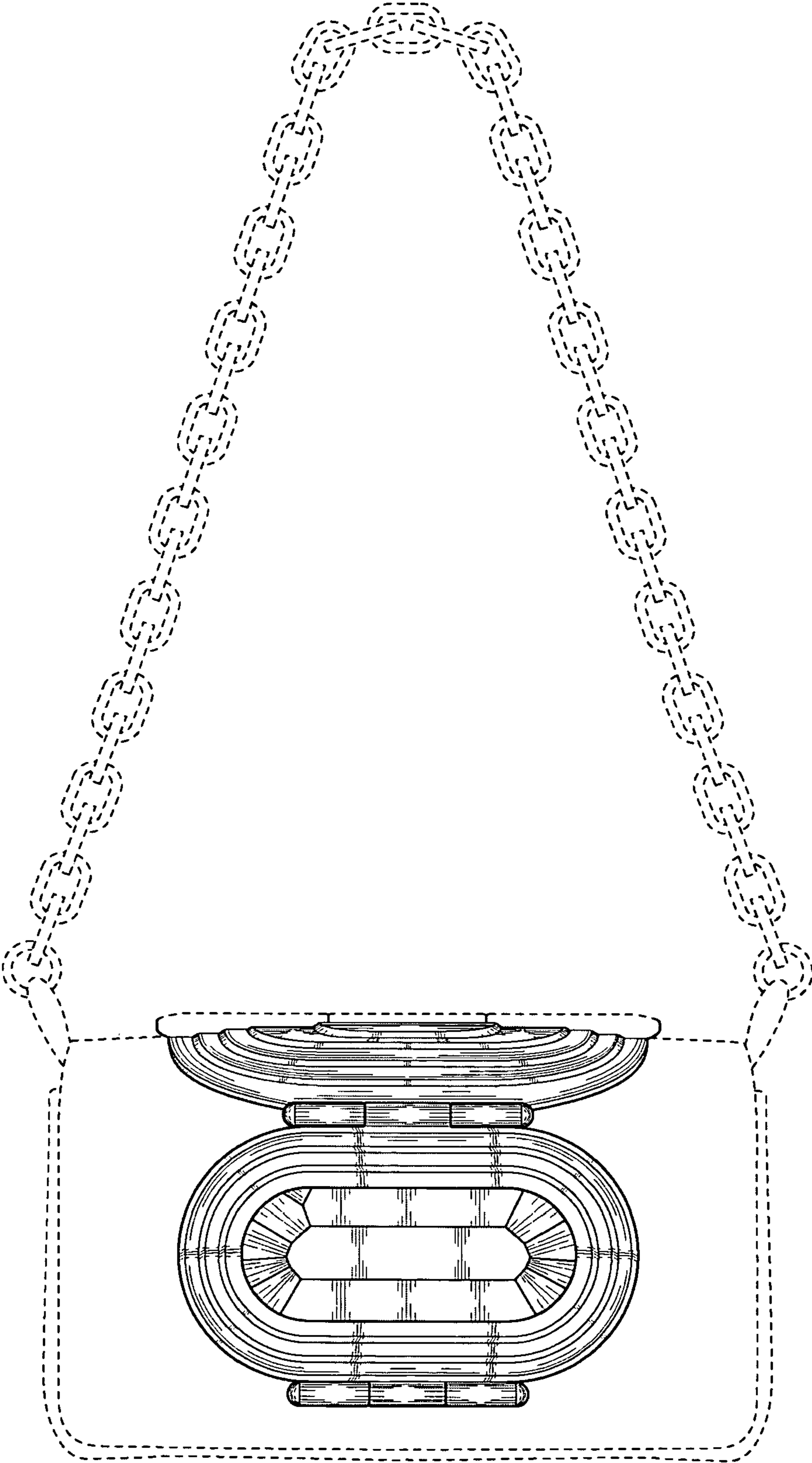


FIG. 8

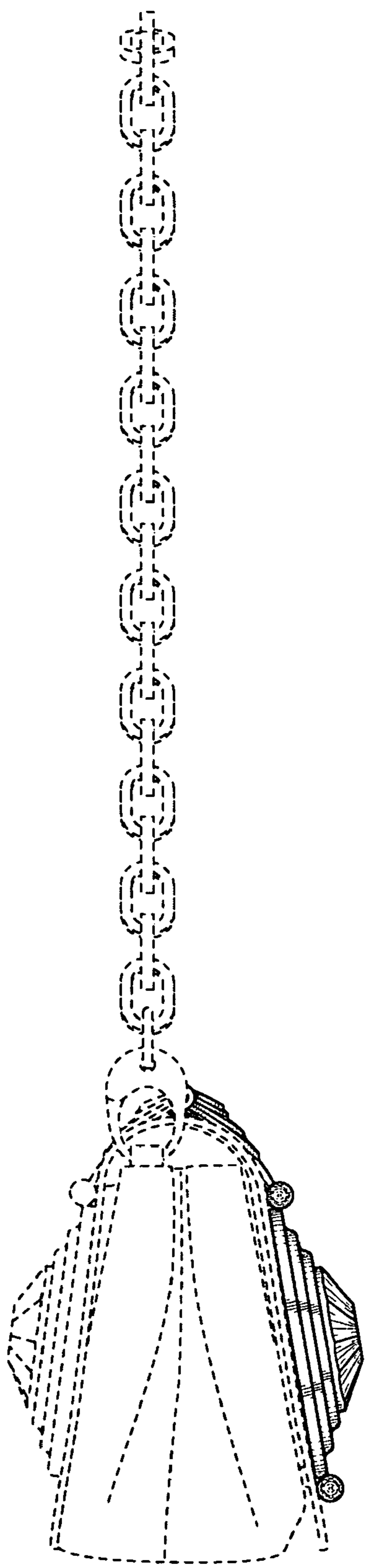


FIG. 9

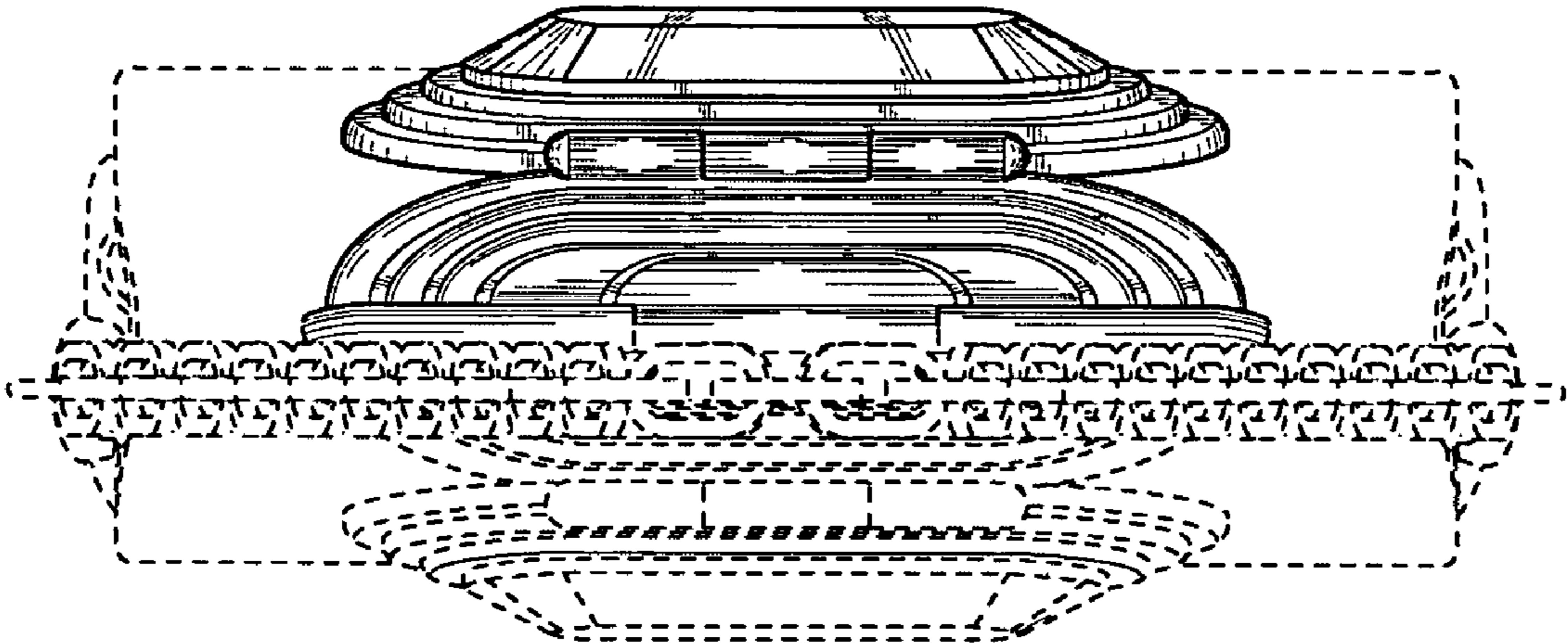


FIG. 10

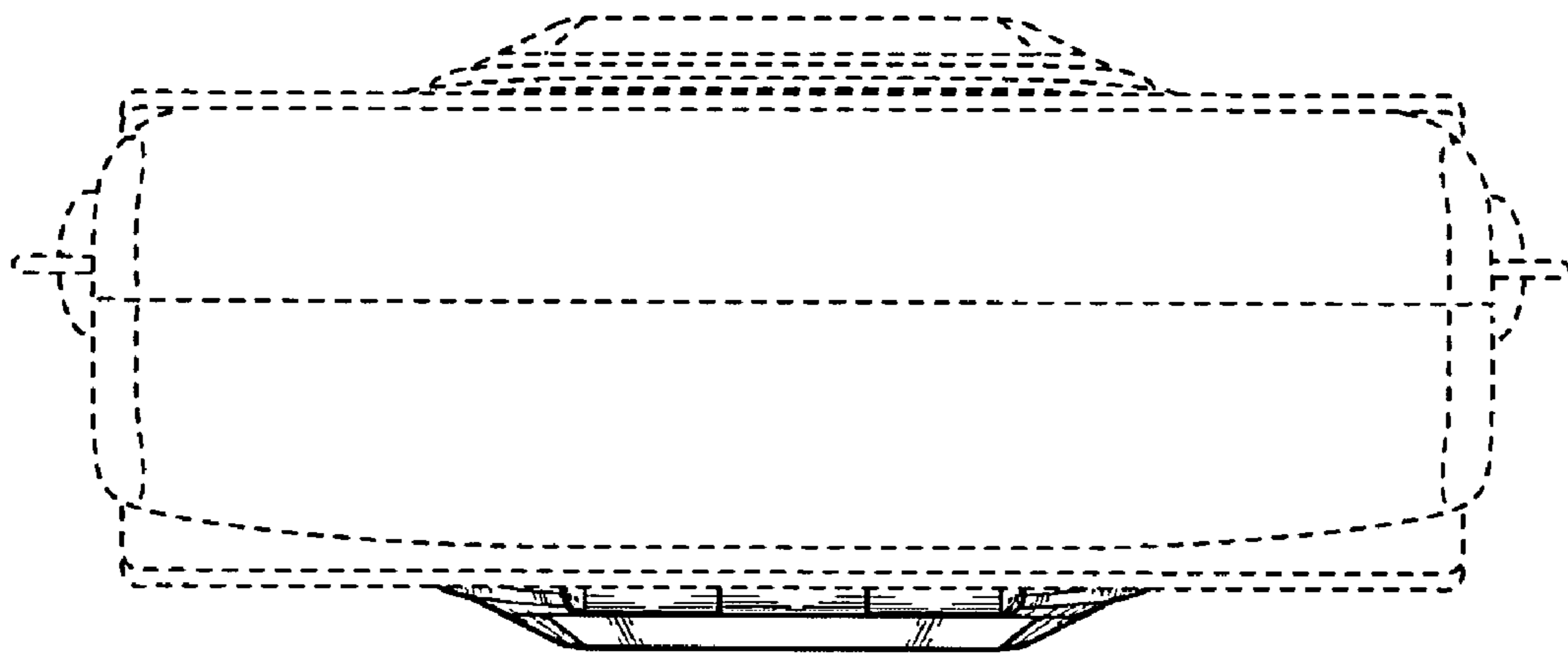


FIG. 11