



US00D581670S

(12) **United States Design Patent**
Neilsen

(10) **Patent No.:** **US D581,670 S**
(45) **Date of Patent:** **** Dec. 2, 2008**

- (54) **BOX**
- (75) Inventor: **Timothy Neilsen**, Brookfield (AU)
- (73) Assignee: **Slatbox Pty Ltd**, Brookfield Old (AU)
- (**) Term: **14 Years**
- (21) Appl. No.: **29/306,965**
- (22) Filed: **Apr. 20, 2008**
- (51) **LOC (8) Cl.** **03-01**
- (52) **U.S. Cl.** **D3/304**
- (58) **Field of Classification Search** D3/304-315,
D3/201, 203.1-203.3; D6/525; D19/75,
D19/77, 86, 90, 92, 100; 206/315.1, 370,
206/439, 503, 505; 229/100, 914, 913, 406;
D7/550, 553-555; 220/501, 507, 553, 555
See application file for complete search history.

5,445,397 A *	8/1995	Evans	280/47.18
D395,165 S *	6/1998	Wilkening et al.	D3/304
D446,391 S *	8/2001	Sterling et al.	D3/304
D490,259 S *	5/2004	Schumann et al.	D6/510

FOREIGN PATENT DOCUMENTS

CN	200830008323.0	2/2008
EP	000883400	3/2008

* cited by examiner

Primary Examiner—Joel Sincavage
Assistant Examiner—Eric L Goodman
(74) *Attorney, Agent, or Firm*—Ming Chow Sinorica, LLC

(56) **References Cited**

U.S. PATENT DOCUMENTS

D192,271 S *	2/1962	Gelland	D3/313
D274,012 S *	5/1984	Williams	D3/304
D315,757 S *	3/1991	Klitsner	D21/536
D327,560 S *	6/1992	Hradisky	D3/307
D327,561 S *	6/1992	Hradisky	D3/307
D331,307 S *	11/1992	McConnell	D3/308
D336,243 S *	6/1993	Evans	D3/294

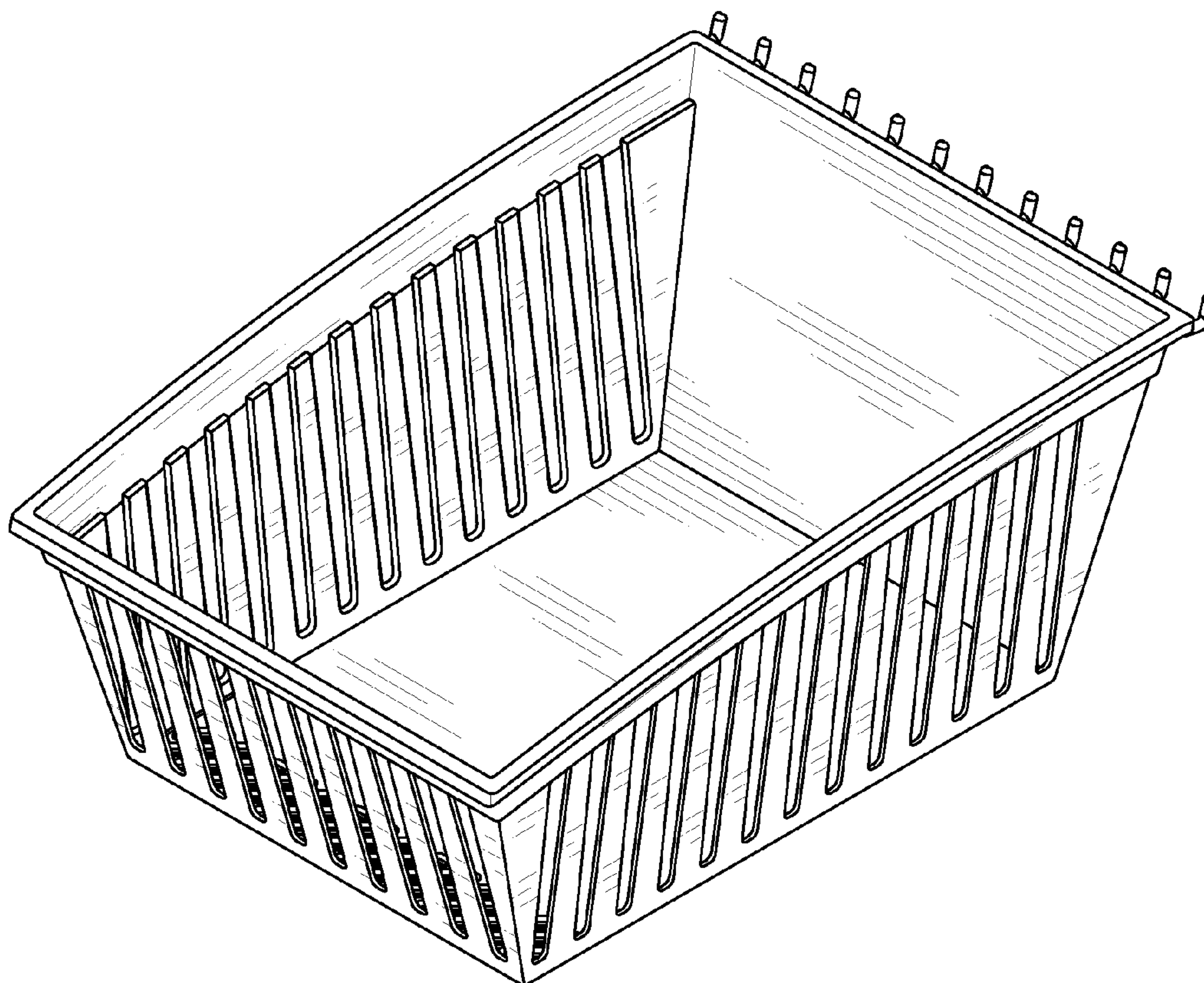
(57) **CLAIM**

The ornamental design for a box, as shown and described.

DESCRIPTION

FIG. 1 is a perspective view of the box, showing my design;
FIG. 2 is a front elevation view thereof;
FIG. 3 is a rear elevation view thereof;
FIG. 4 is a left side elevation view thereof;
FIG. 5 is a right side elevation view thereof;
FIG. 6 is a top plan view thereof; and,
FIG. 7 is a bottom plan elevation view thereof.

1 Claim, 7 Drawing Sheets



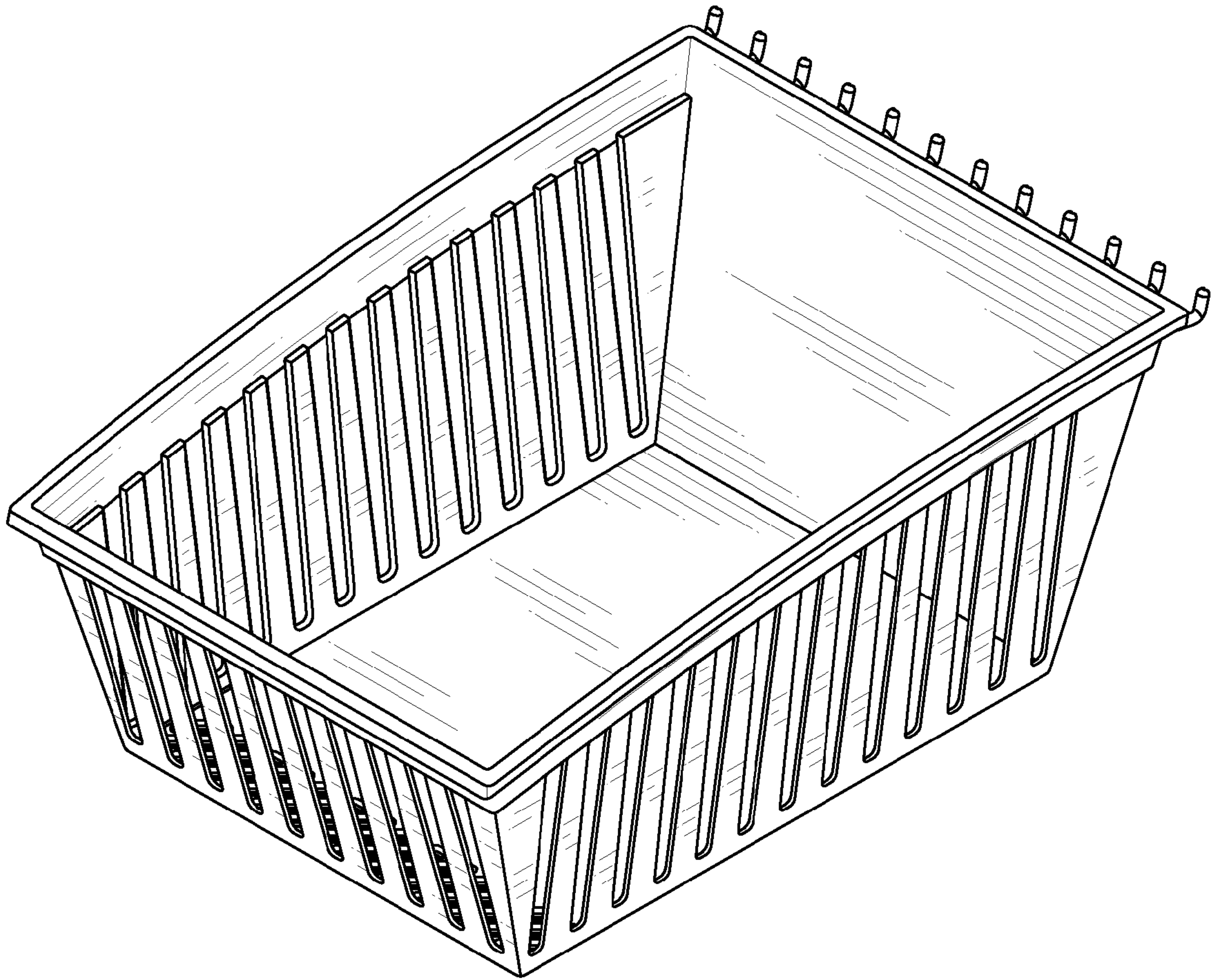


FIG. 1

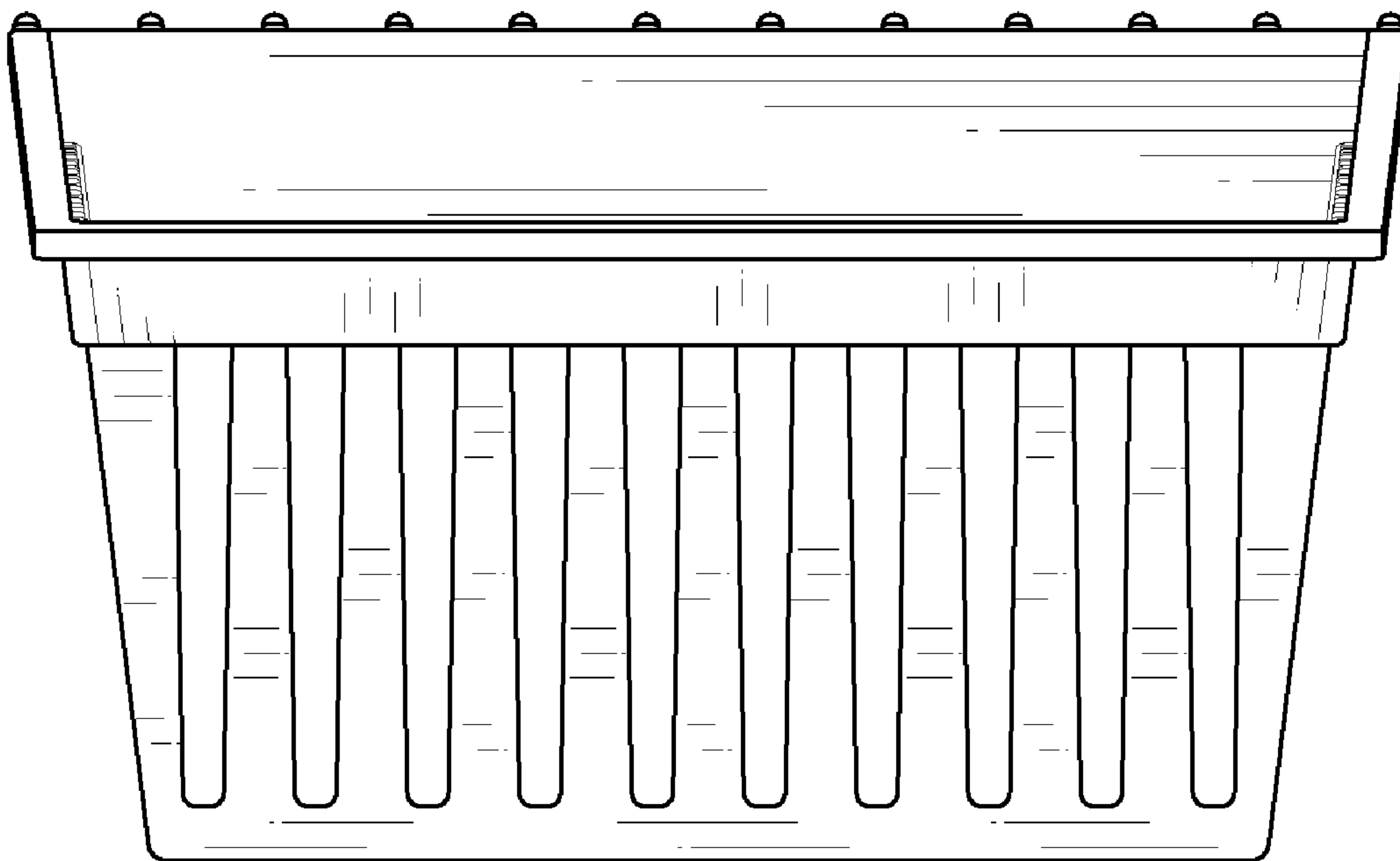


FIG. 2

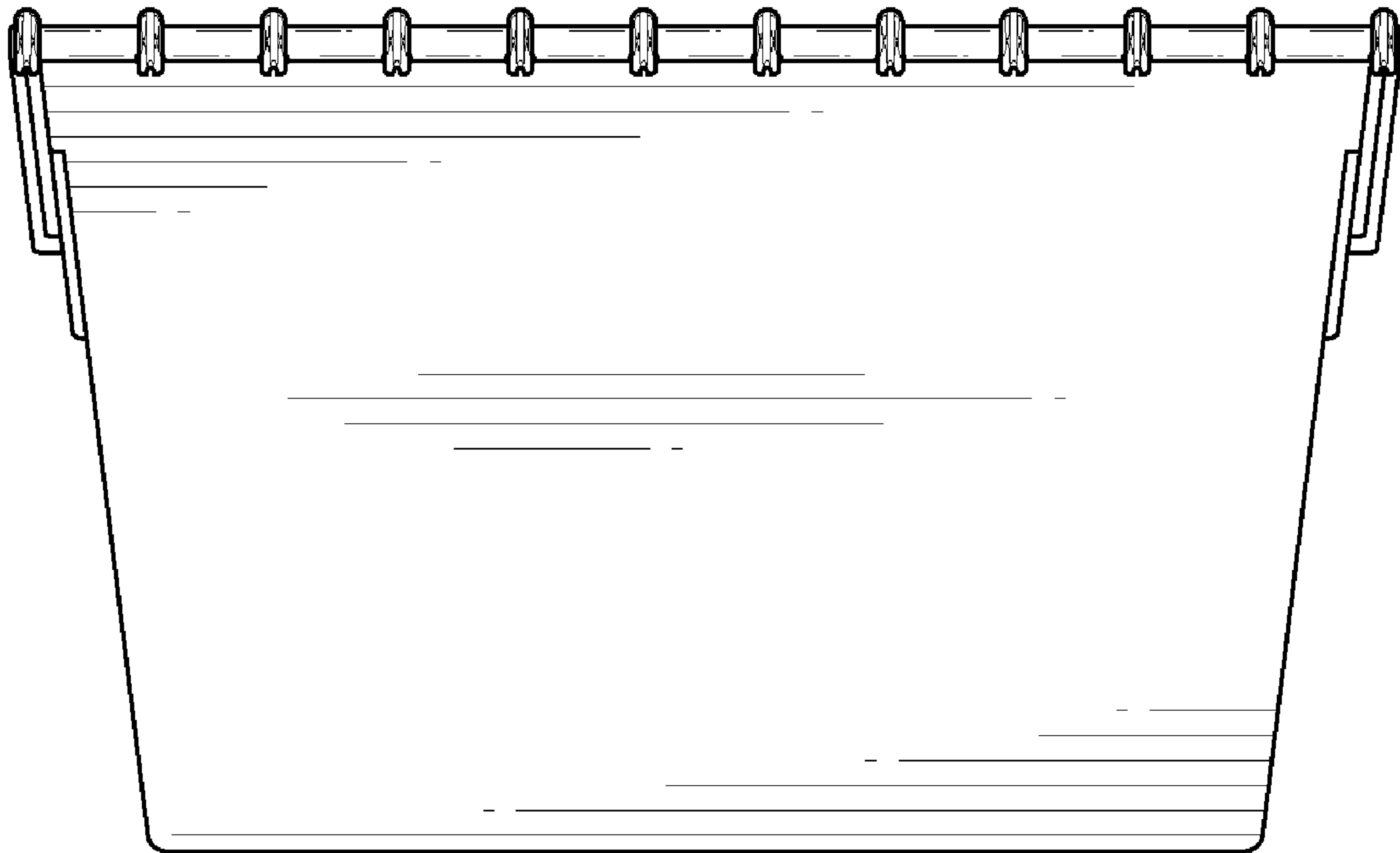


FIG. 3

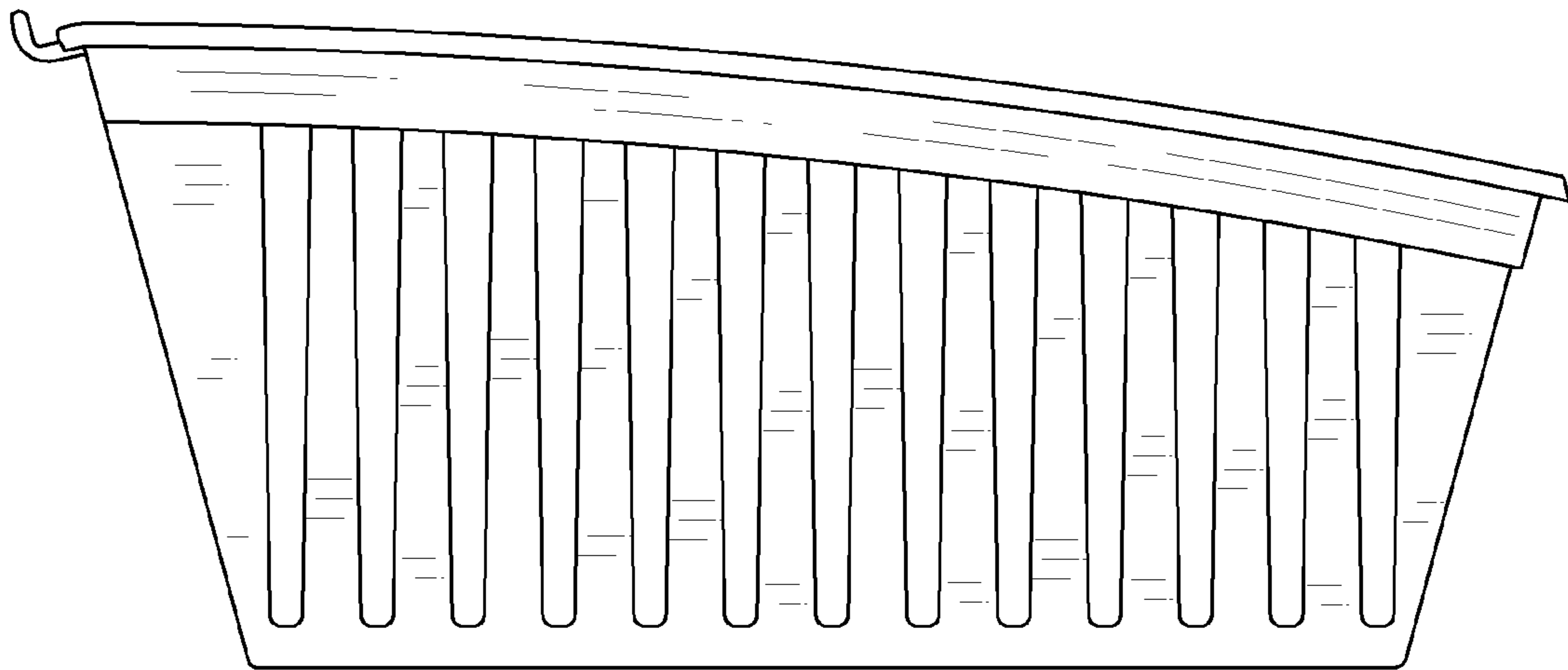


FIG. 4

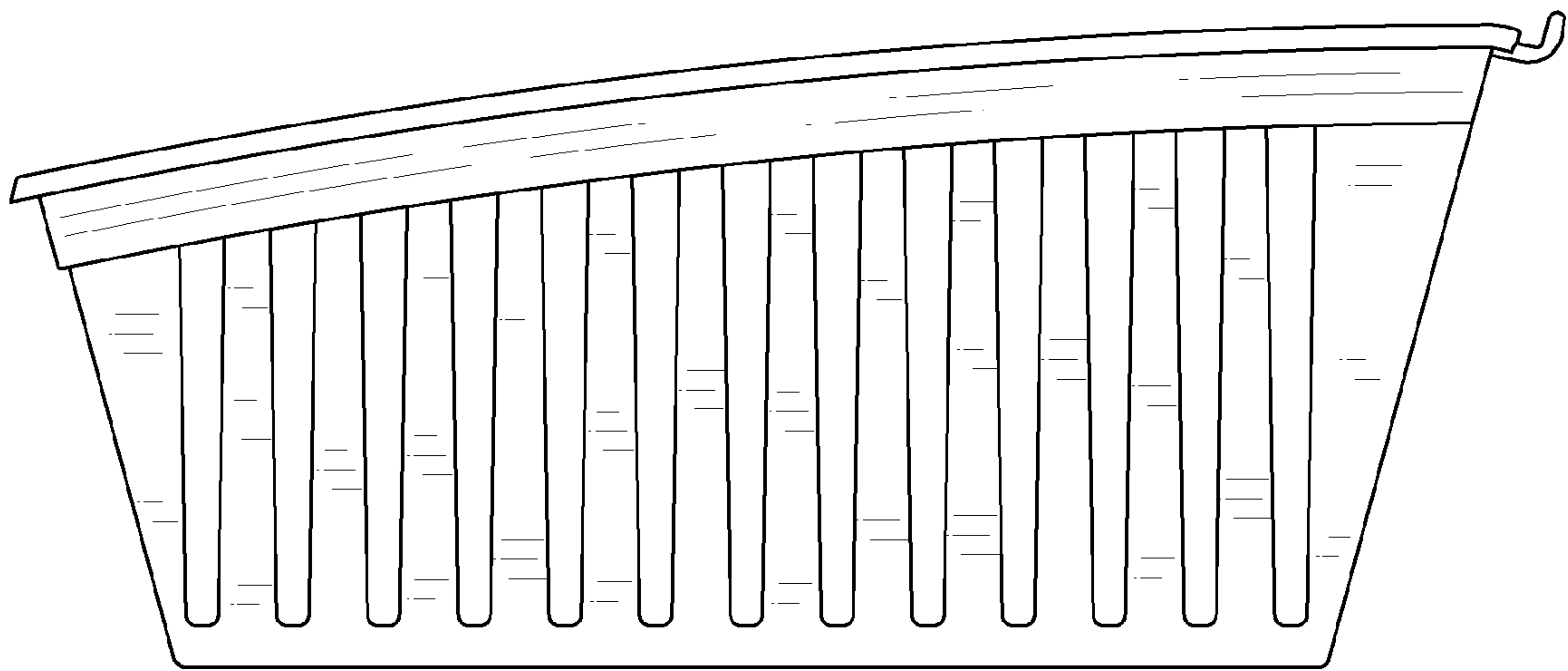


FIG. 5

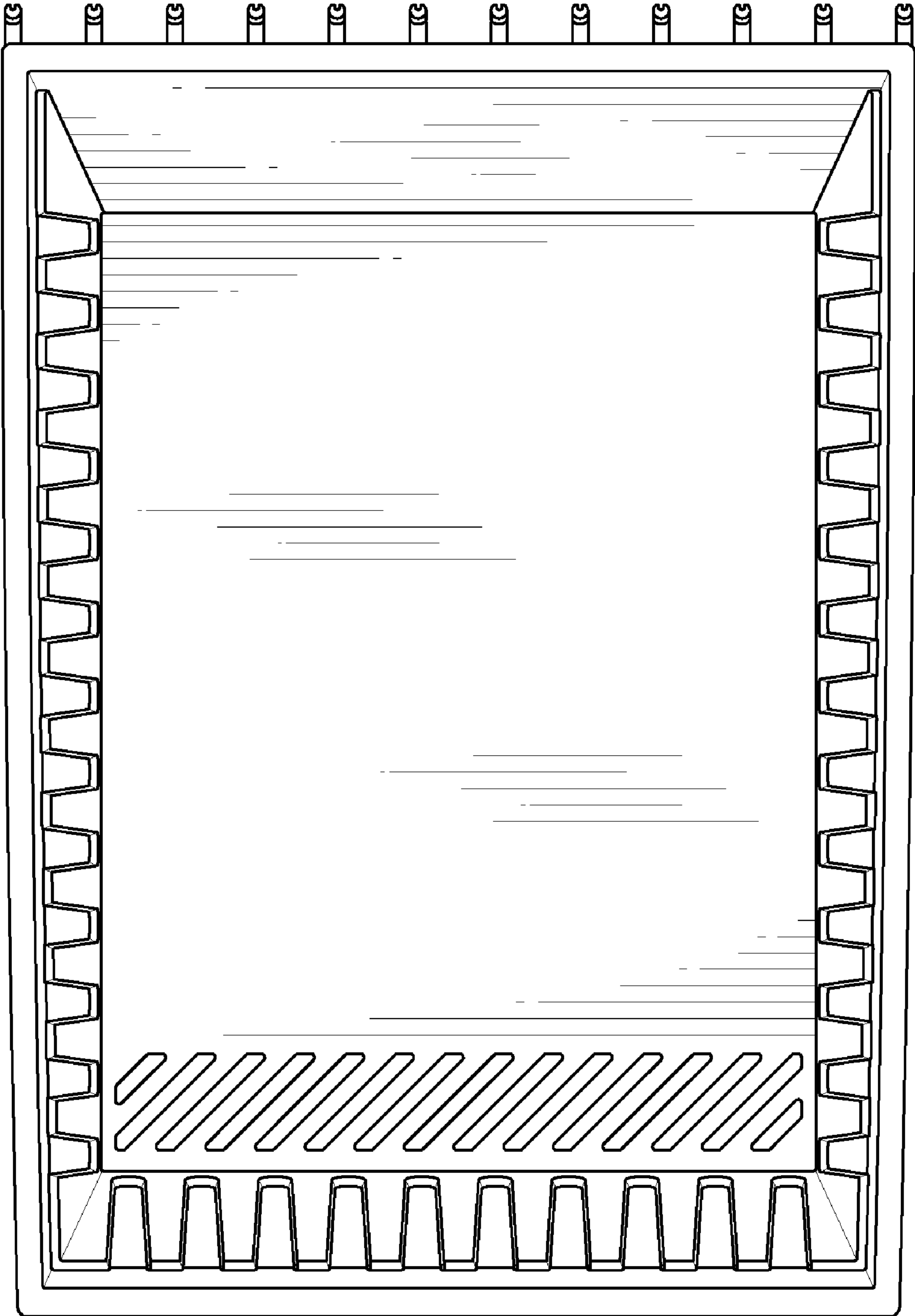


FIG. 6

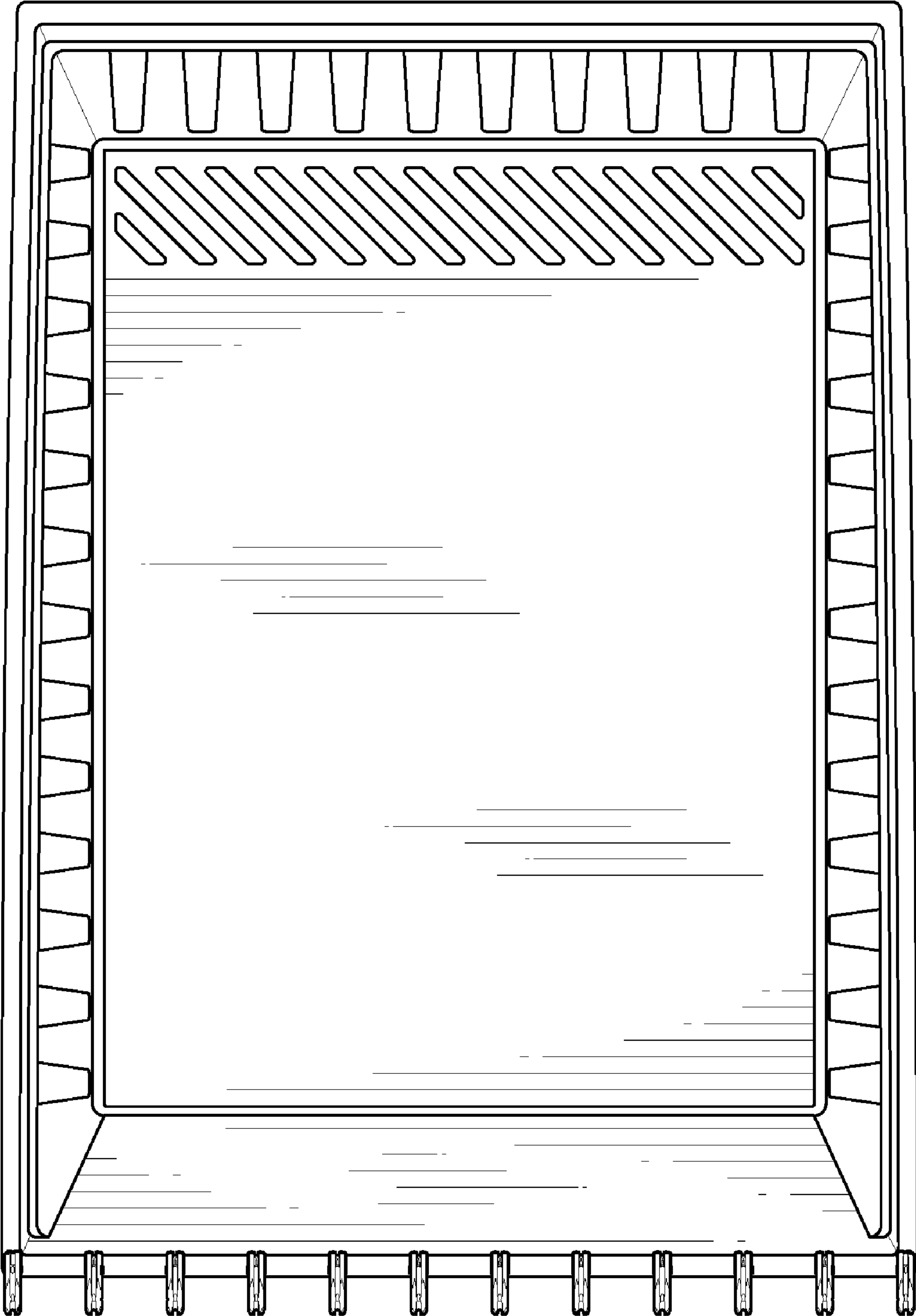


FIG. 7