

US00D581667S

(12) **United States Design Patent**  
**Yeh**

(10) **Patent No.:** **US D581,667 S**  
(45) **Date of Patent:** **\*\* Dec. 2, 2008**

(54) **SUITCASE**

D554,862 S \* 11/2007 Hsieh ..... D3/279

(75) Inventor: **Cathy Yeh**, Taipei (TW)

(73) Assignee: **FTI Corporation Limited**, Hong Kong (HK)

(\*\*) Term: **14 Years**

(21) Appl. No.: **29/317,524**

(22) Filed: **Apr. 30, 2008**

(51) **LOC (8) Cl.** ..... **03-01**

(52) **U.S. Cl.** ..... **D3/279; D3/289**

(58) **Field of Classification Search** ..... D3/272,  
D3/276-279, 283-286, 289, 318, 321, 902;  
190/19, 21, 23, 25, 37, 100, 103, 109-112,  
190/115, 119, 120, 122, 124, 127, 903  
See application file for complete search history.

(56) **References Cited**

**U.S. PATENT DOCUMENTS**

D82,596 S	*	11/1930	Apter	.....	D3/272
D82,782 S	*	12/1930	Apter	.....	D3/272
2,218,052 A	*	10/1940	Rosen	.....	190/37
D354,166 S	*	1/1995	Lin	.....	D3/276
D358,031 S	*	5/1995	Aumasson	.....	D3/318
D414,933 S	*	10/1999	Yu	.....	D3/282
D479,042 S	*	9/2003	Szyf et al.	.....	D3/279
D498,361 S	*	11/2004	Badaan	.....	D3/279
D507,876 S	*	8/2005	Fadely	.....	D3/279
D517,804 S	*	3/2006	Davenport et al.	.....	D3/279
D541,530 S	*	5/2007	Sijmons	.....	D3/279
D554,861 S	*	11/2007	Udall et al.	.....	D3/279

**OTHER PUBLICATIONS**

Plexer Int'l Toolcase. Downloaded at [http://www.hktdc.com/sourcing/company\\_product\\_detail.htm?companyid=1X008YX9&productid=262951&pathid=808&isothernode=false&entryPoint=1&locale=en](http://www.hktdc.com/sourcing/company_product_detail.htm?companyid=1X008YX9&productid=262951&pathid=808&isothernode=false&entryPoint=1&locale=en) on Jul. 17, 2008.\*

Co-op Ind'l Travel Case. Downloaded at [http://www.hktdc.com/sourcing/company\\_product\\_detail.htm?companyid=1X00AHD8&productid=369434&pathid=808&isothernode=false&entryPoint=1&locale=en](http://www.hktdc.com/sourcing/company_product_detail.htm?companyid=1X00AHD8&productid=369434&pathid=808&isothernode=false&entryPoint=1&locale=en) on Jul. 17, 2008.\*

\* cited by examiner

*Primary Examiner*—Philip Hyder

*Assistant Examiner*—Roselyne Cody

(74) *Attorney, Agent, or Firm*—Rabin & Berdo, PC

(57) **CLAIM**

The ornamental design for a suitcase, as shown and described.

**DESCRIPTION**

FIG. 1 is a perspective view of a suitcase showing my new design;

FIG. 2 is a front view thereof;

FIG. 3 is a rear view thereof;

FIG. 4 is a left side view thereof;

FIG. 5 is a right side view thereof;

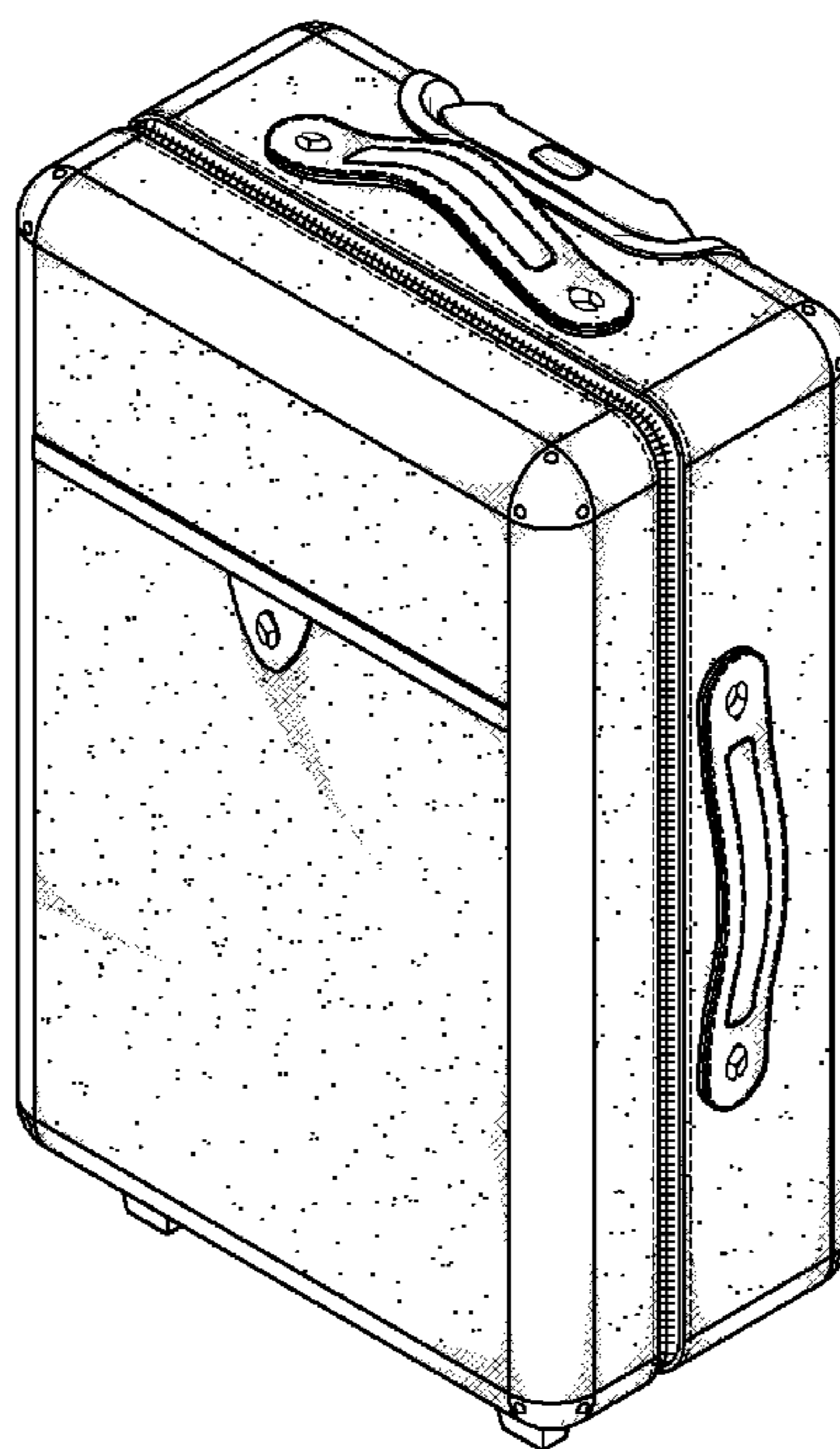
FIG. 6 is a top view thereof;

FIG. 7 is a bottom view thereof; and,

FIG. 8 is a view showing when suitcase is in use.

The broken lines in the drawings indicate stitching and form part of the claimed design.

**1 Claim, 8 Drawing Sheets**



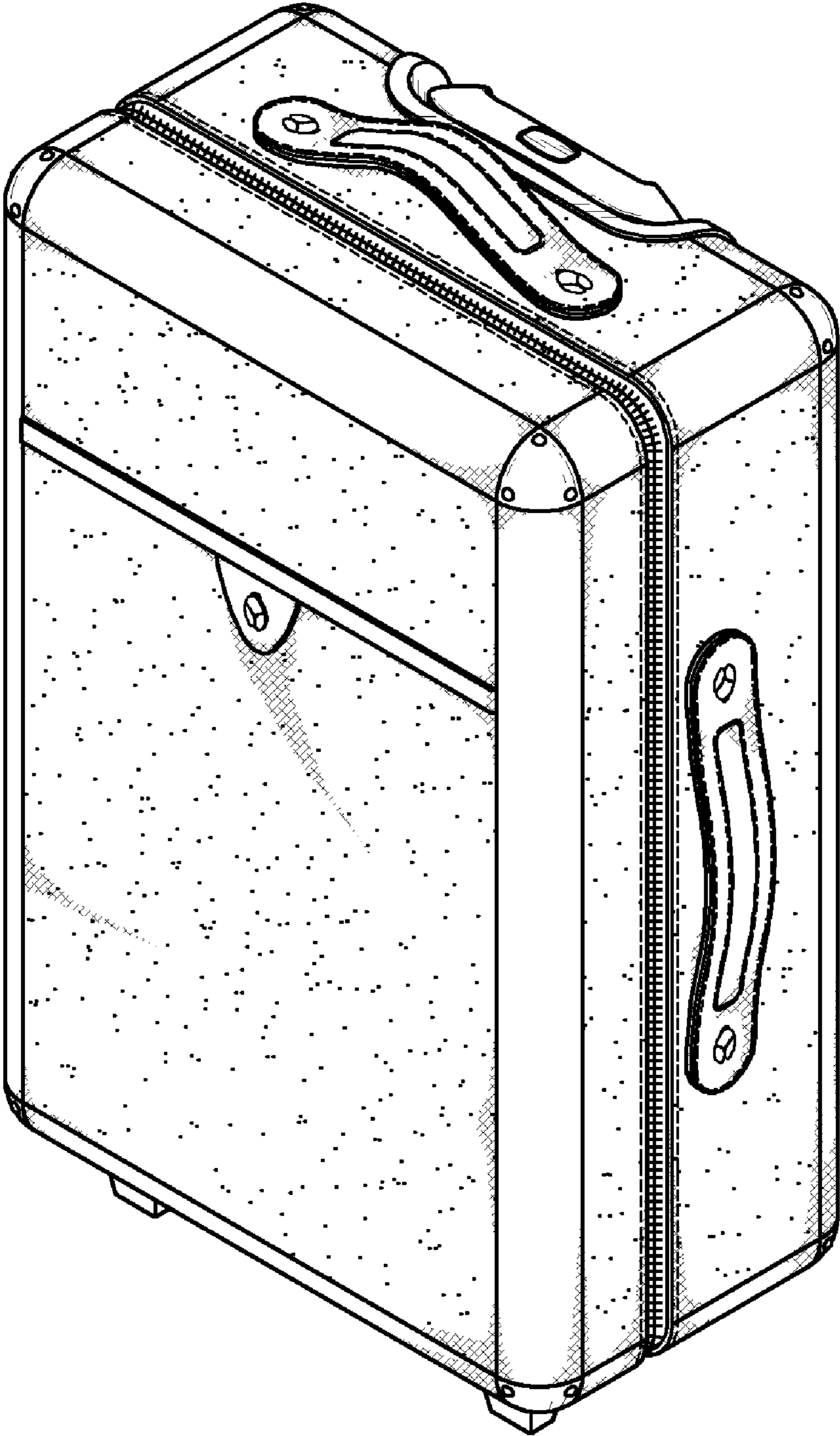


FIG. 1

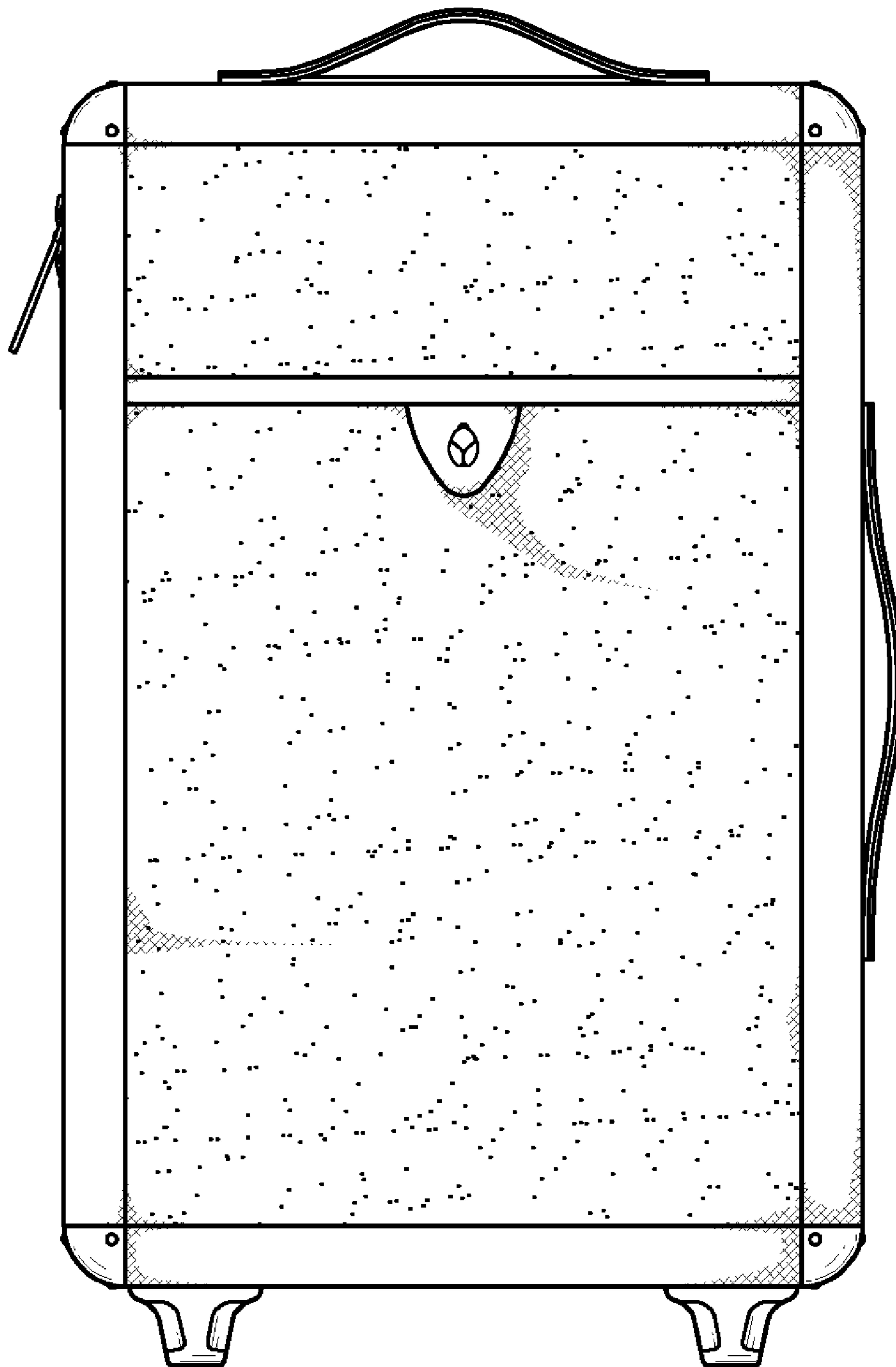


FIG. 2

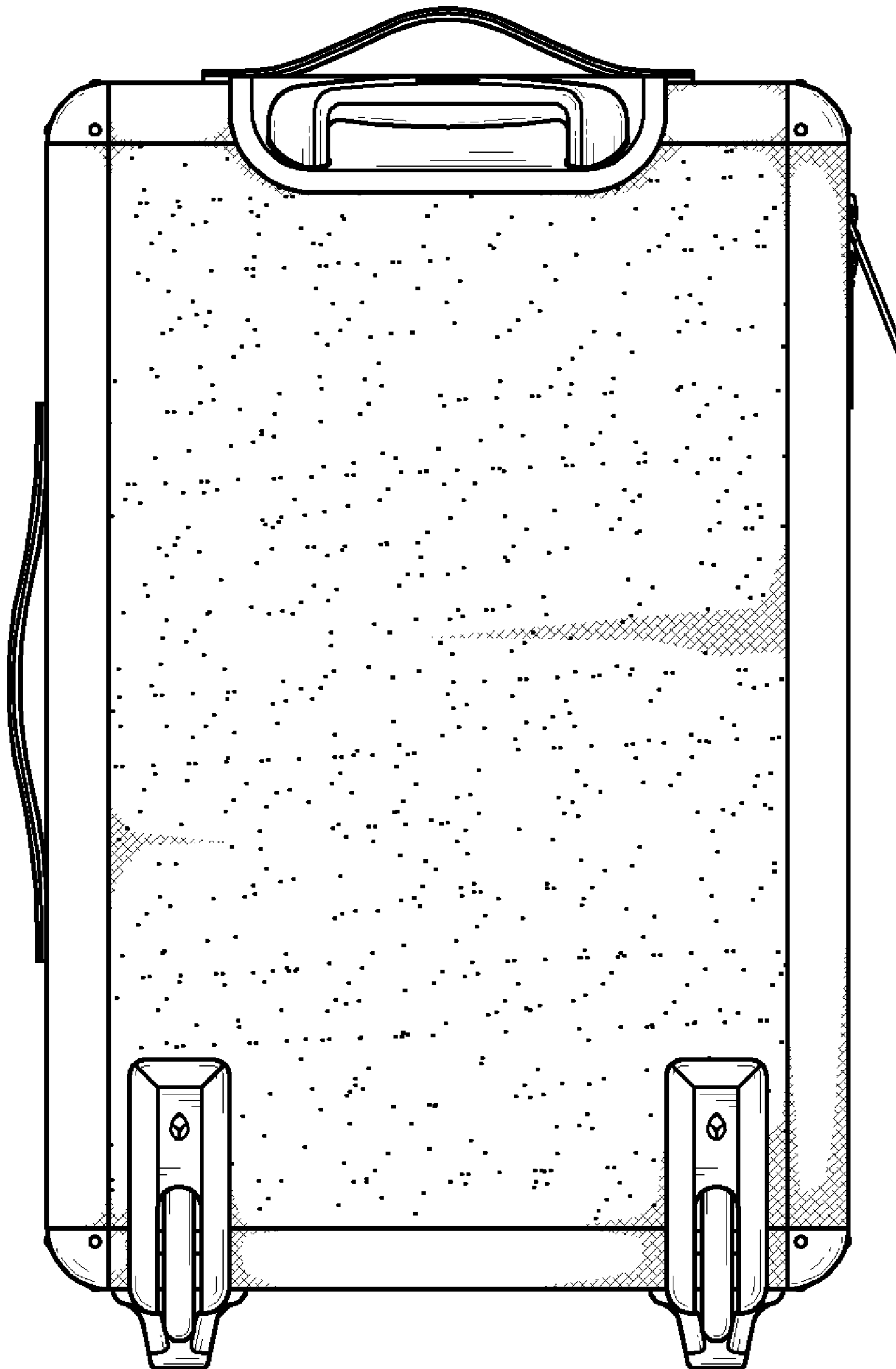
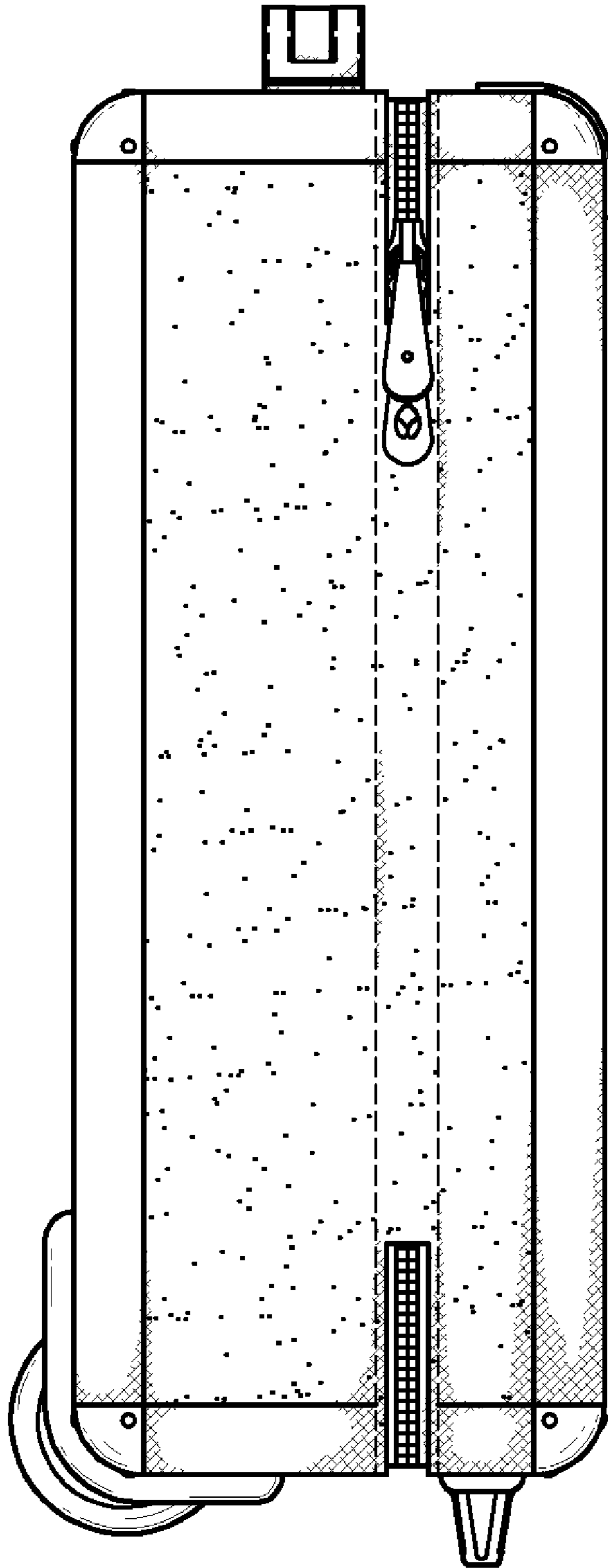
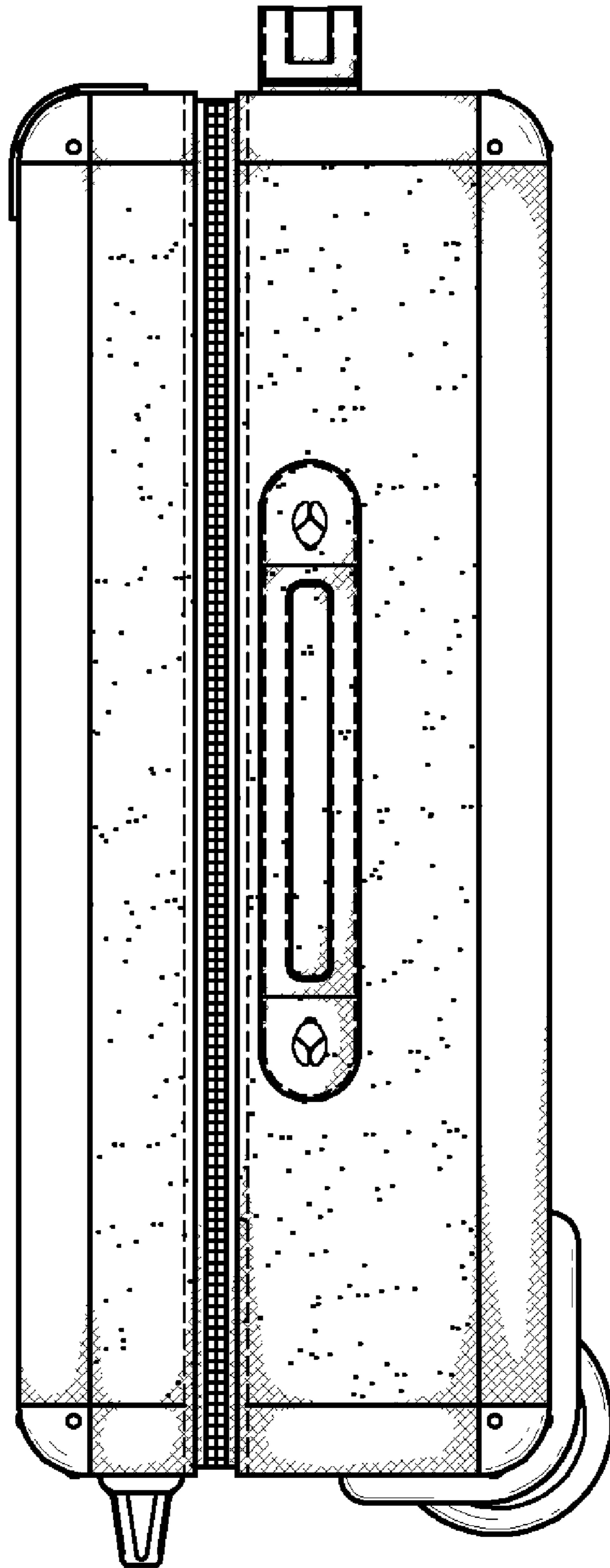


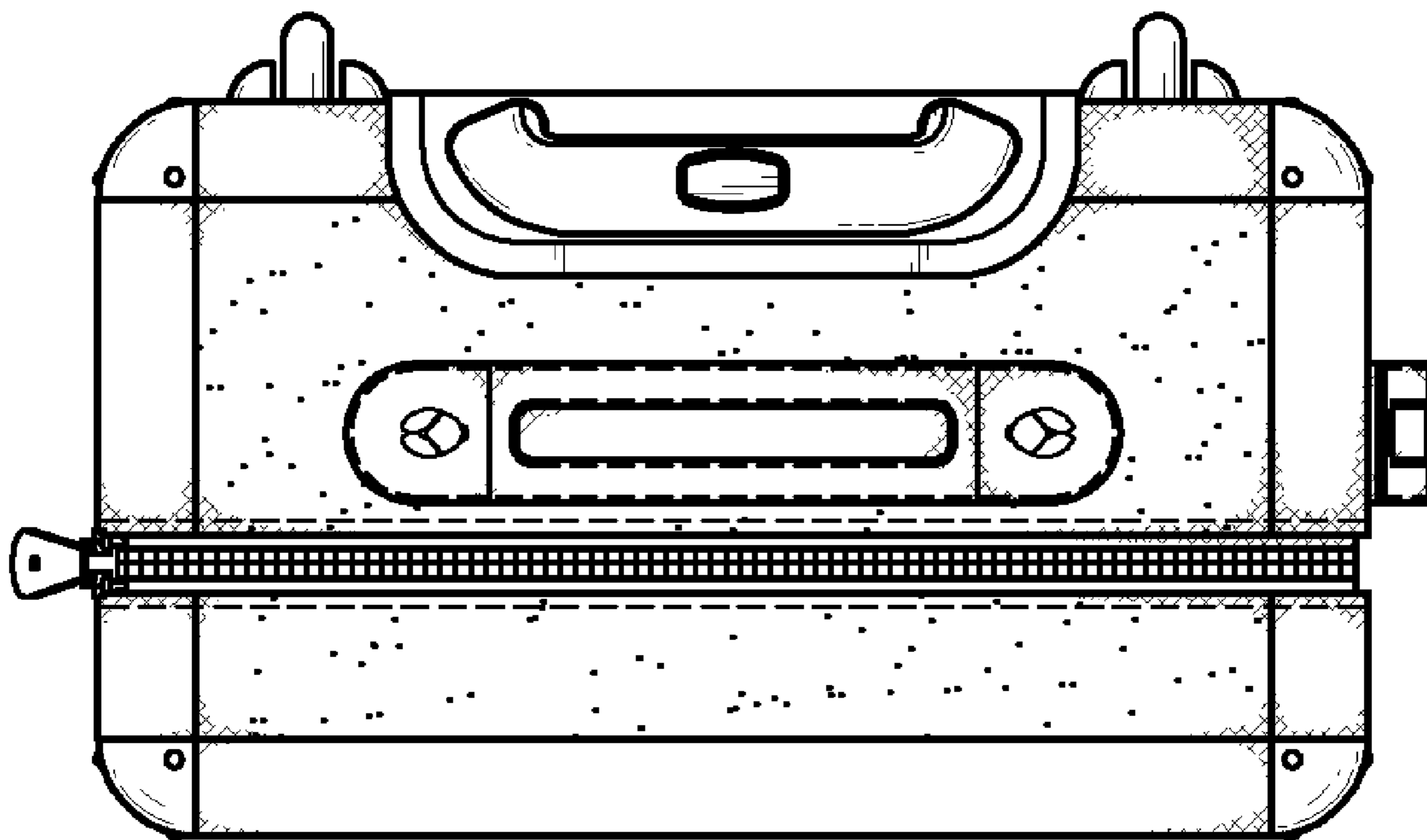
FIG. 3



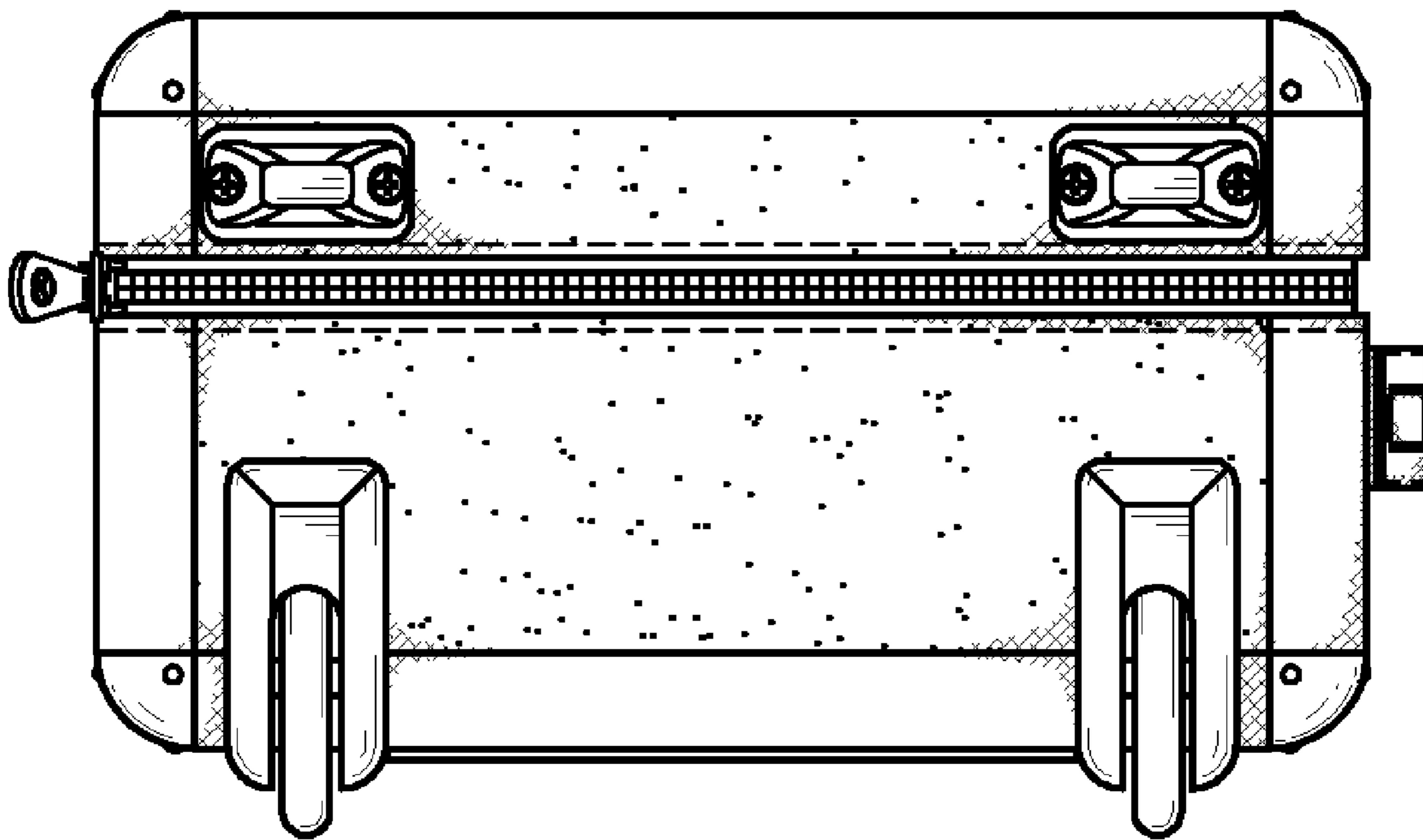
*FIG. 4*



*FIG. 5*



*FIG. 6*



*FIG. 7*



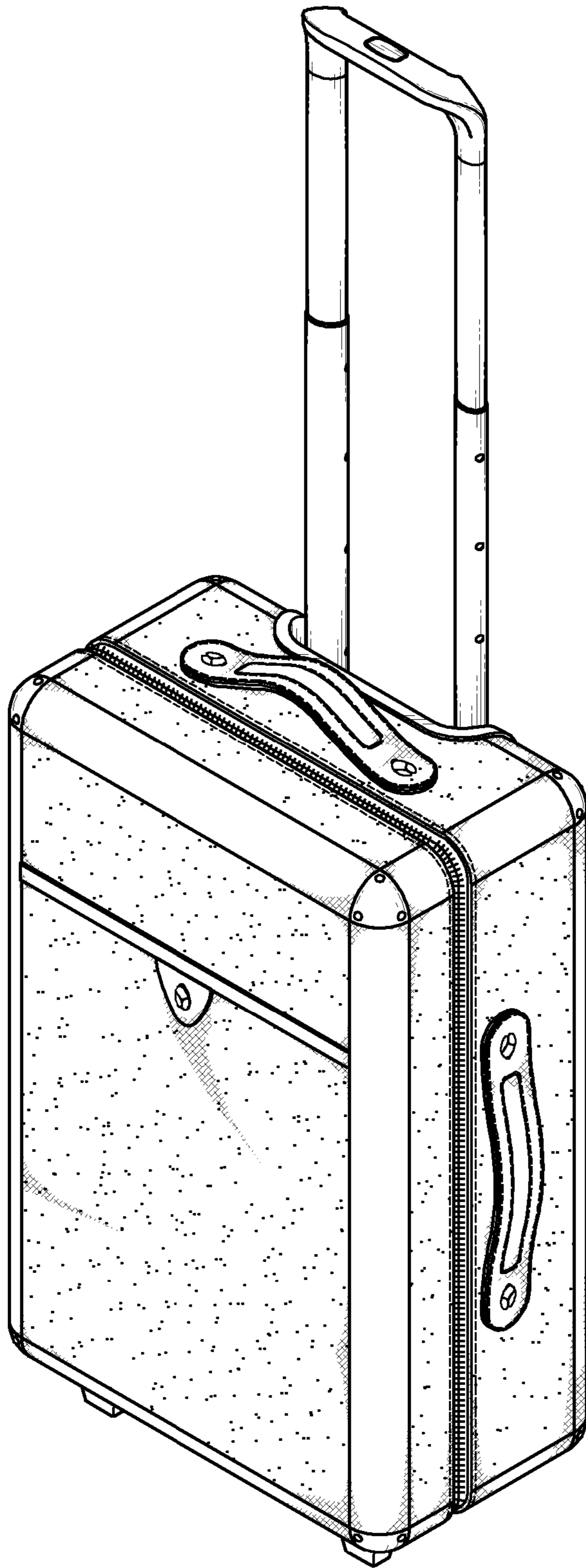


FIG. 8