



US00D581665S

(12) **United States Design Patent**
Gerbi

(10) **Patent No.:** **US D581,665 S**

(45) **Date of Patent:** **** Dec. 2, 2008**

(54) **PURSE**

(75) Inventor: **Valérie Gerbi**, Paris (FR)

(73) Assignee: **Design Sportswears**, Paris (FR)

(**) Term: **14 Years**

(21) Appl. No.: **29/301,435**

(22) Filed: **Feb. 29, 2008**

(51) **LOC (8) Cl.** **03-01**

(52) **U.S. Cl.** **D3/245; D3/252**

(58) **Field of Classification Search** D3/232-234,
D3/240-247, 249-252, 318, 322, 324; 150/100,
150/103-104, 107-110, 114, 118-119
See application file for complete search history.

(56) **References Cited**

U.S. PATENT DOCUMENTS

48,727 A * 7/1865 Saarbach 150/118
237,890 A * 2/1881 Menahan 150/118

D315,830 S * 4/1991 Roberts D3/243
D456,604 S * 5/2002 Plummer D3/233
D525,784 S * 8/2006 Handley D3/243

* cited by examiner

Primary Examiner—Holly H Baynham

(74) *Attorney, Agent, or Firm*—Abelman, Frayne & Schwab

(57) **CLAIM**

The ornamental design for purse, as shown and described.

DESCRIPTION

FIG. 1 is a left, front perspective view showing my new purse design;

FIG. 2 is a front view thereof;

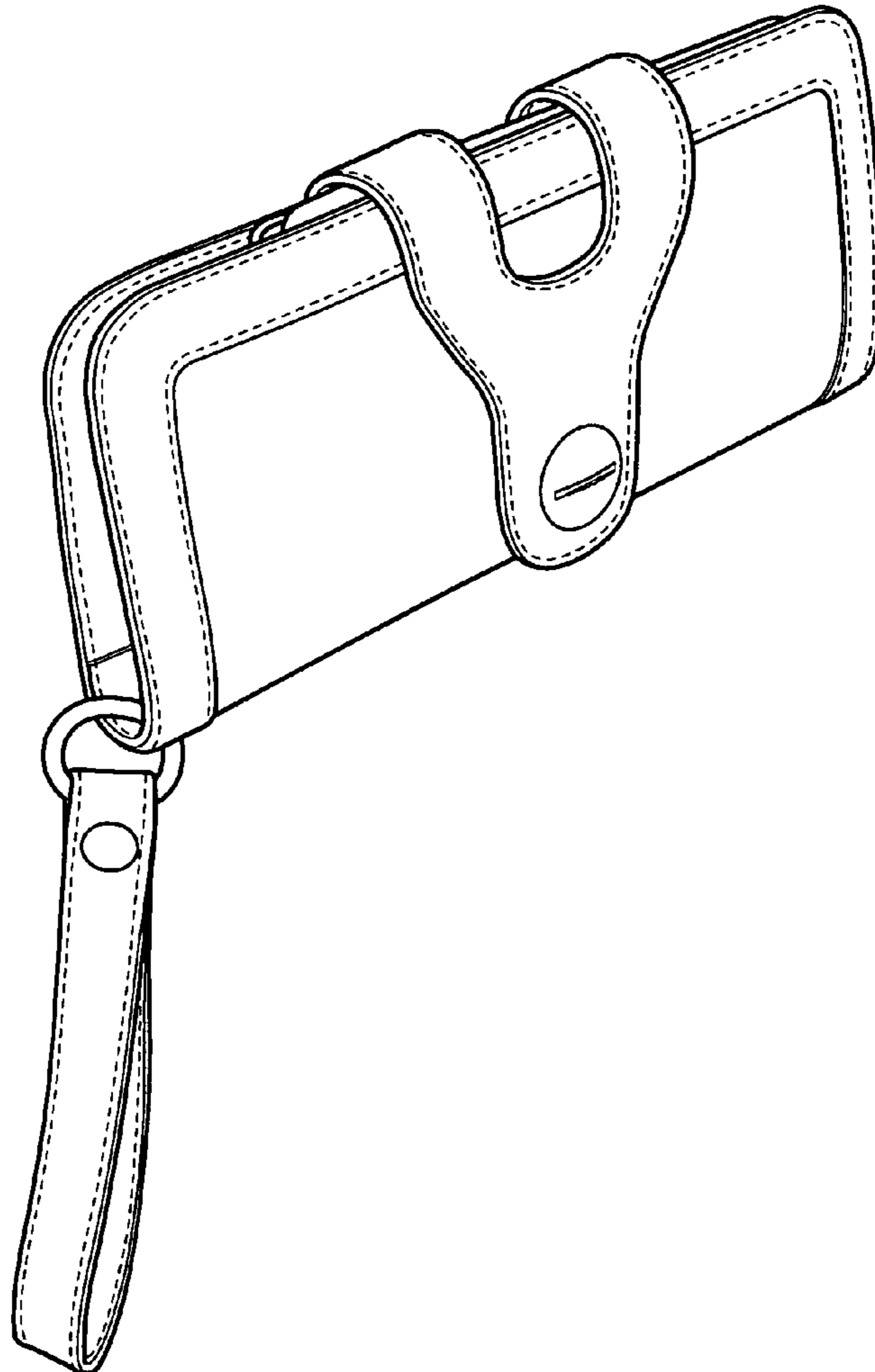
FIG. 3 is a rear view thereof;

FIG. 4 is top view thereof;

FIG. 5 is a left-side view thereof; and,

FIG. 6 is a right-side view thereof.

1 Claim, 6 Drawing Sheets



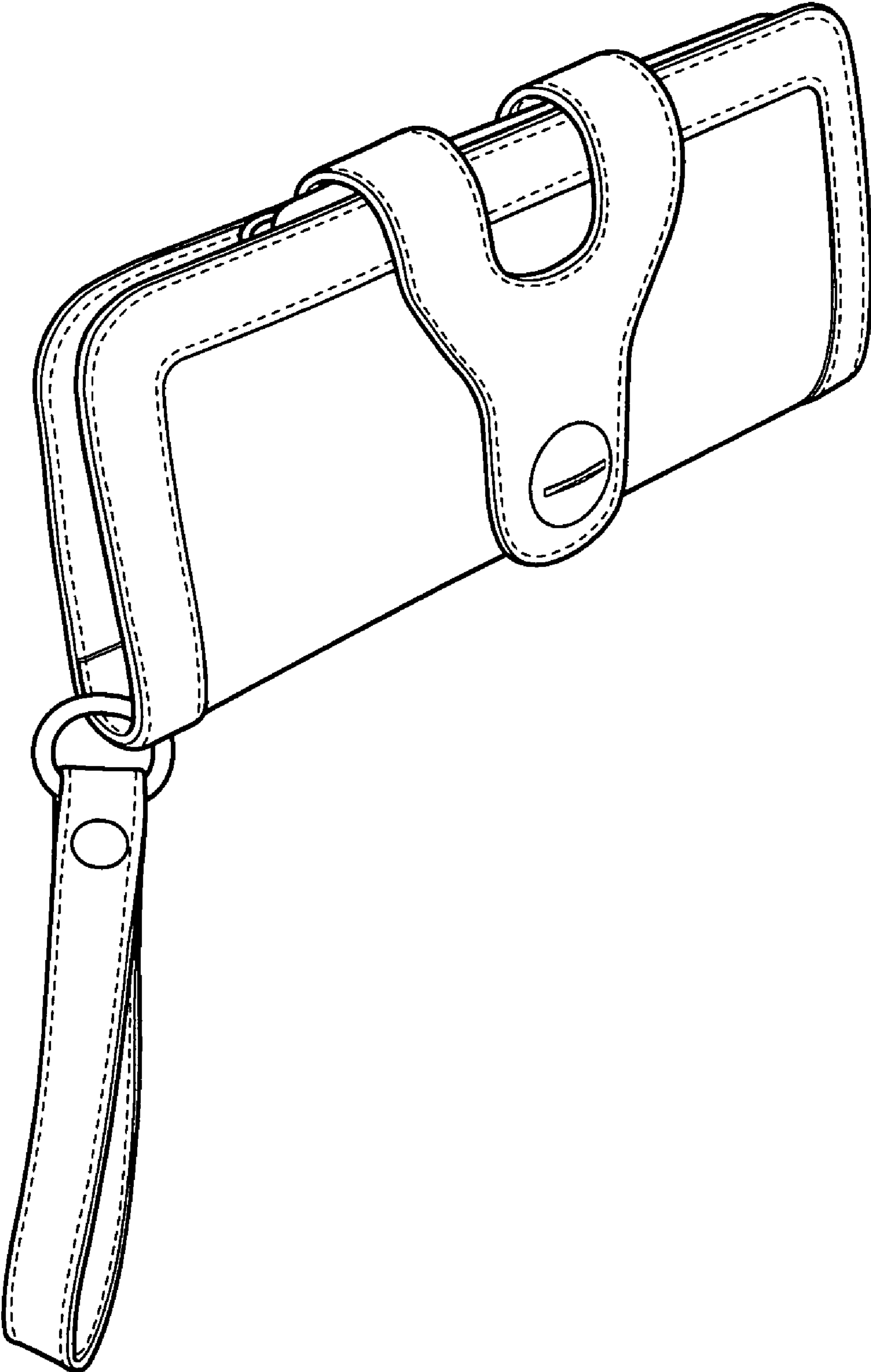


Fig. 1

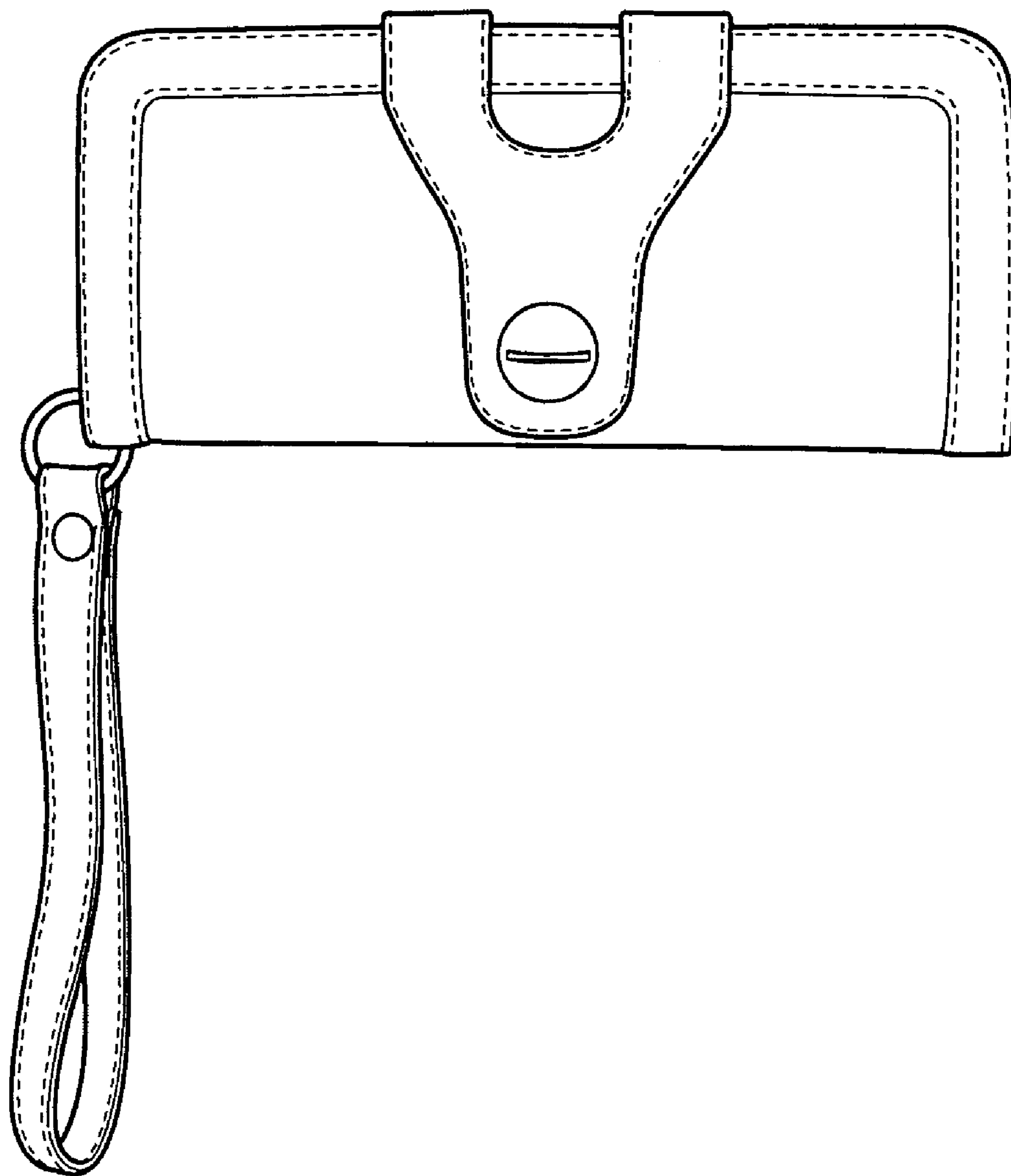


Fig. 2

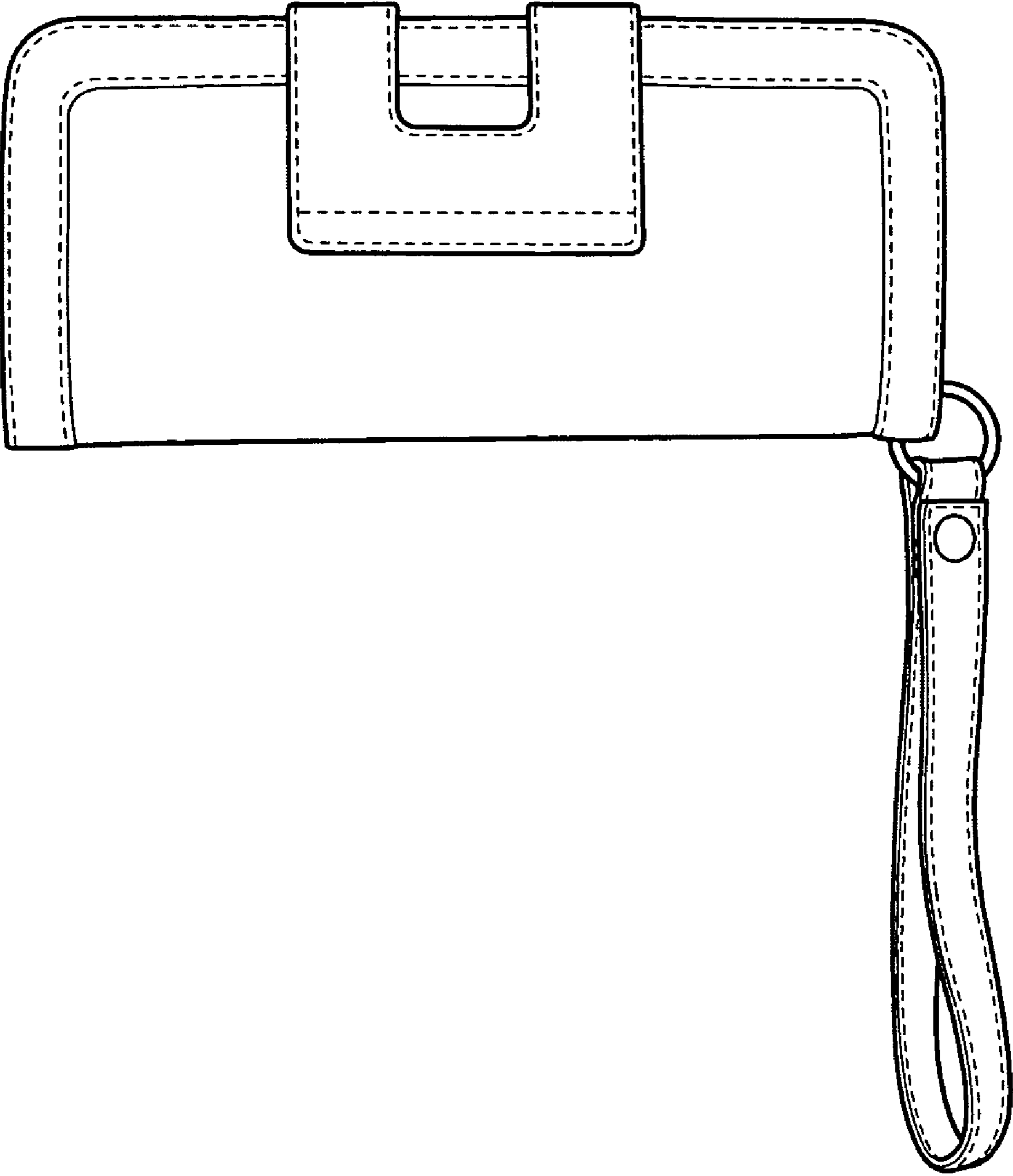


Fig. 3

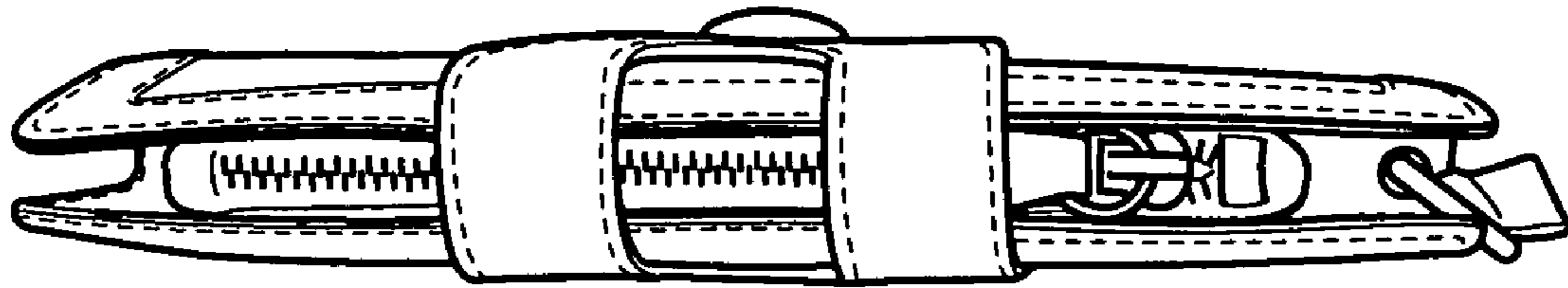


Fig. 4

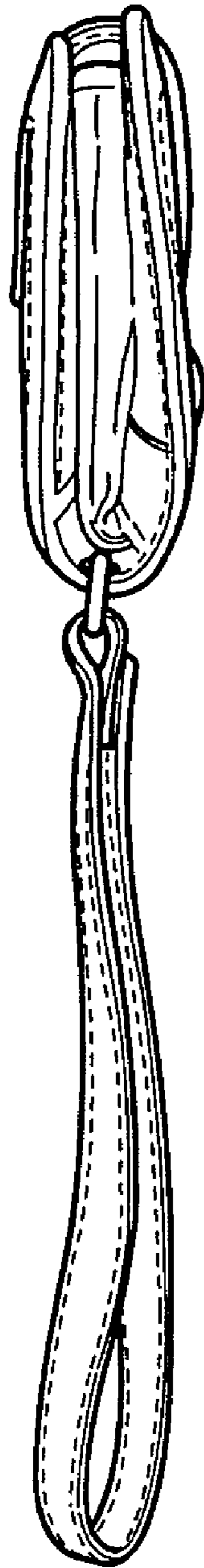


Fig. 5

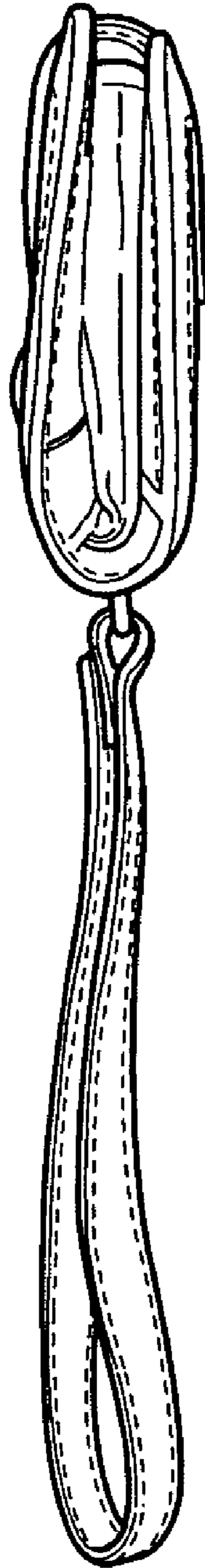


Fig. 6