



US00D581655S

(12) **United States Design Patent**
Johnson

(10) **Patent No.:** **US D581,655 S**
(45) **Date of Patent:** **** Dec. 2, 2008**

(54) **KEY-SHAPED CLIP DESIGN FOR PERMITTING KEY RINGS AND THE LIKE TO BE ATTACHED THERETO**

(76) Inventor: **Kathleen K. Johnson**, 1400 Colorado St., #C, Boulder City, NV (US) 89005

(**) Term: **14 Years**

(21) Appl. No.: **29/282,422**

(22) Filed: **Jul. 19, 2007**

(51) **LOC (8) Cl.** **03-01**

(52) **U.S. Cl.** **D3/211**

(58) **Field of Classification Search** D11/1, D11/2, 7, 40-50, 53, 56, 57, 59-61, 63, 65, D11/75-78, 79-84, 86, 95-117; 63/1.11, 63/1.16, 13, 14.1, 18-20, 35, 38-39; D3/201-211
See application file for complete search history.

(56) **References Cited**

U.S. PATENT DOCUMENTS

5,365,760	A	*	11/1994	Song	70/460
D364,269	S	*	11/1995	Sabosky	D3/207
D439,401	S	*	3/2001	Johnson	D3/211
D478,207	S	*	8/2003	Johnson	D3/207
D499,543	S	*	12/2004	Johnson	D3/211
D523,237	S	*	6/2006	Kiriakides	D3/211

* cited by examiner

Primary Examiner—R. Seifert

(74) *Attorney, Agent, or Firm*—Veronica-Adele R. Cao; Weiss & Moy, P.C.

(57) **CLAIM**

The ornamental design an improved key-shaped clip design for permitting key rings and the like to be attached thereto, as shown and described.

DESCRIPTION

FIG. 1 is a perspective view of one embodiment of the improved key-shaped clip design for permitting key rings and the like to be attached thereto of this invention.

FIG. 2 is a front view of the improved key-shaped clip design for permitting key rings and the like to be attached thereto of FIG. 1.

FIG. 3 is a left side view of the improved key-shaped clip design for permitting key rings and the like to be attached thereto of FIG. 1.

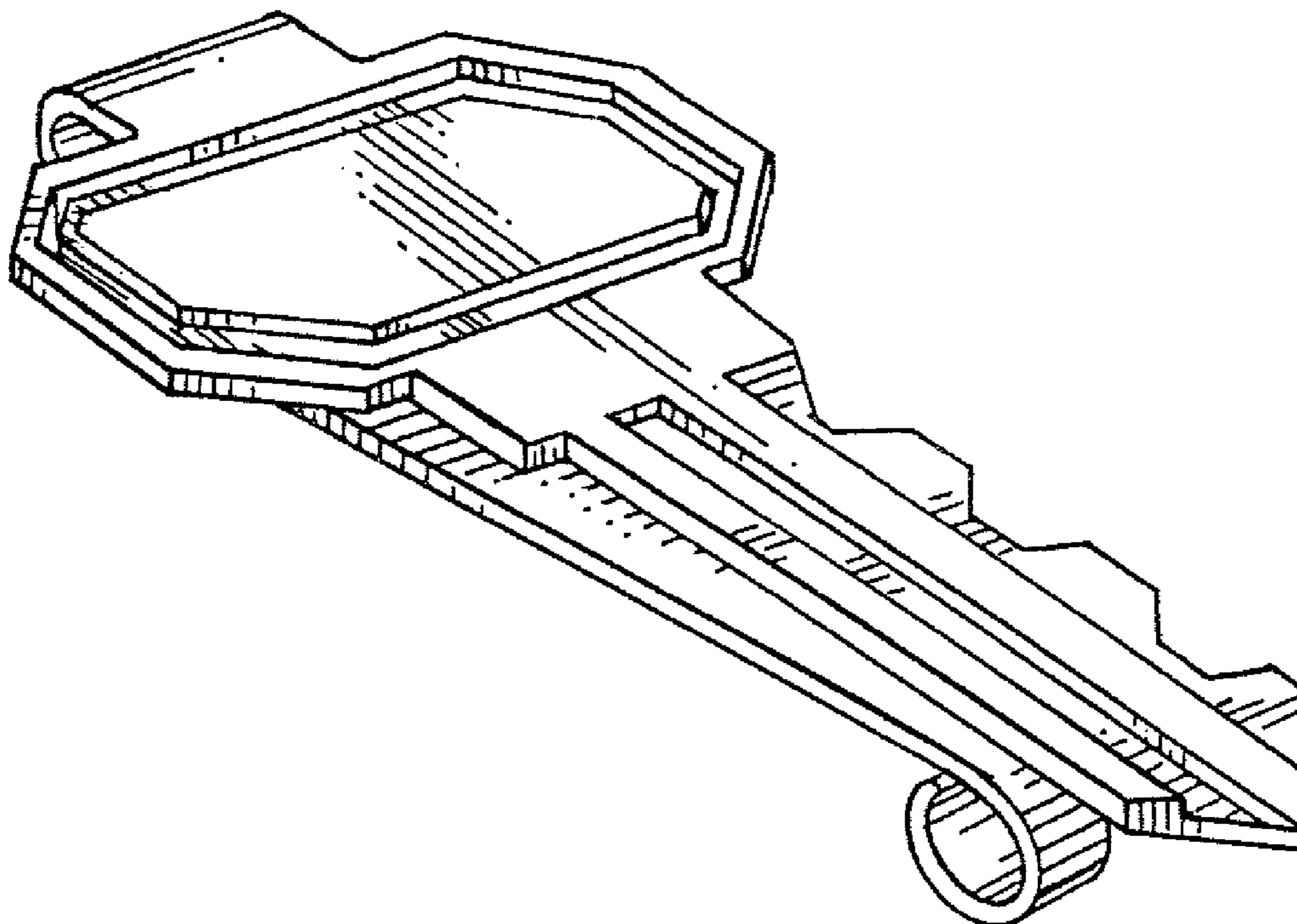
FIG. 4 is a rear view of the improved key-shaped clip design for permitting key rings and the like to be attached thereto of FIG. 1.

FIG. 5 is a right side view of the improved key-shaped clip design for permitting key rings and the like to be attached thereto of FIG. 1.

FIG. 6 is a bottom end view of the improved key-shaped clip design for permitting key rings and the like to be attached thereto of FIG. 1; and,

FIG. 7 is a top end view of the improved key-shaped clip design for permitting key rings and the like to be attached thereto of FIG. 1.

1 Claim, 1 Drawing Sheet



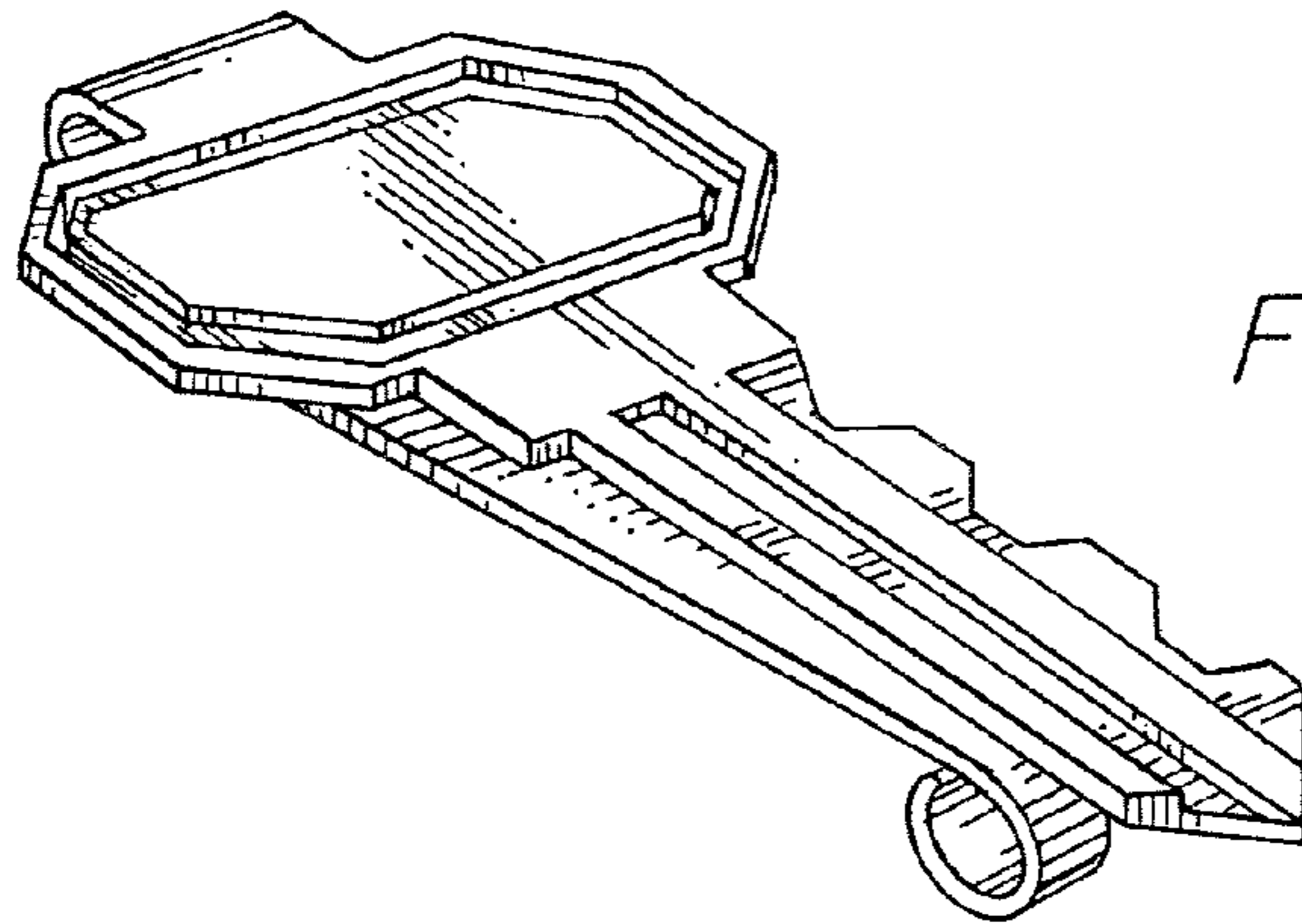


Fig. 1

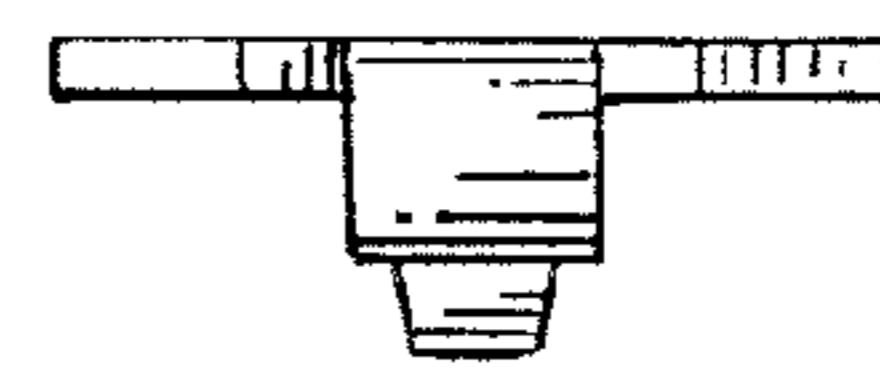


Fig. 7

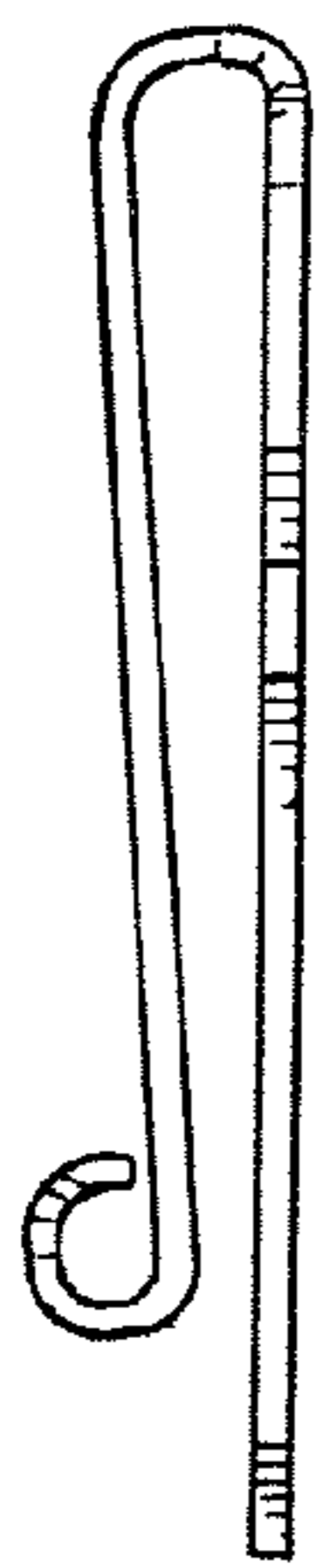


Fig. 5

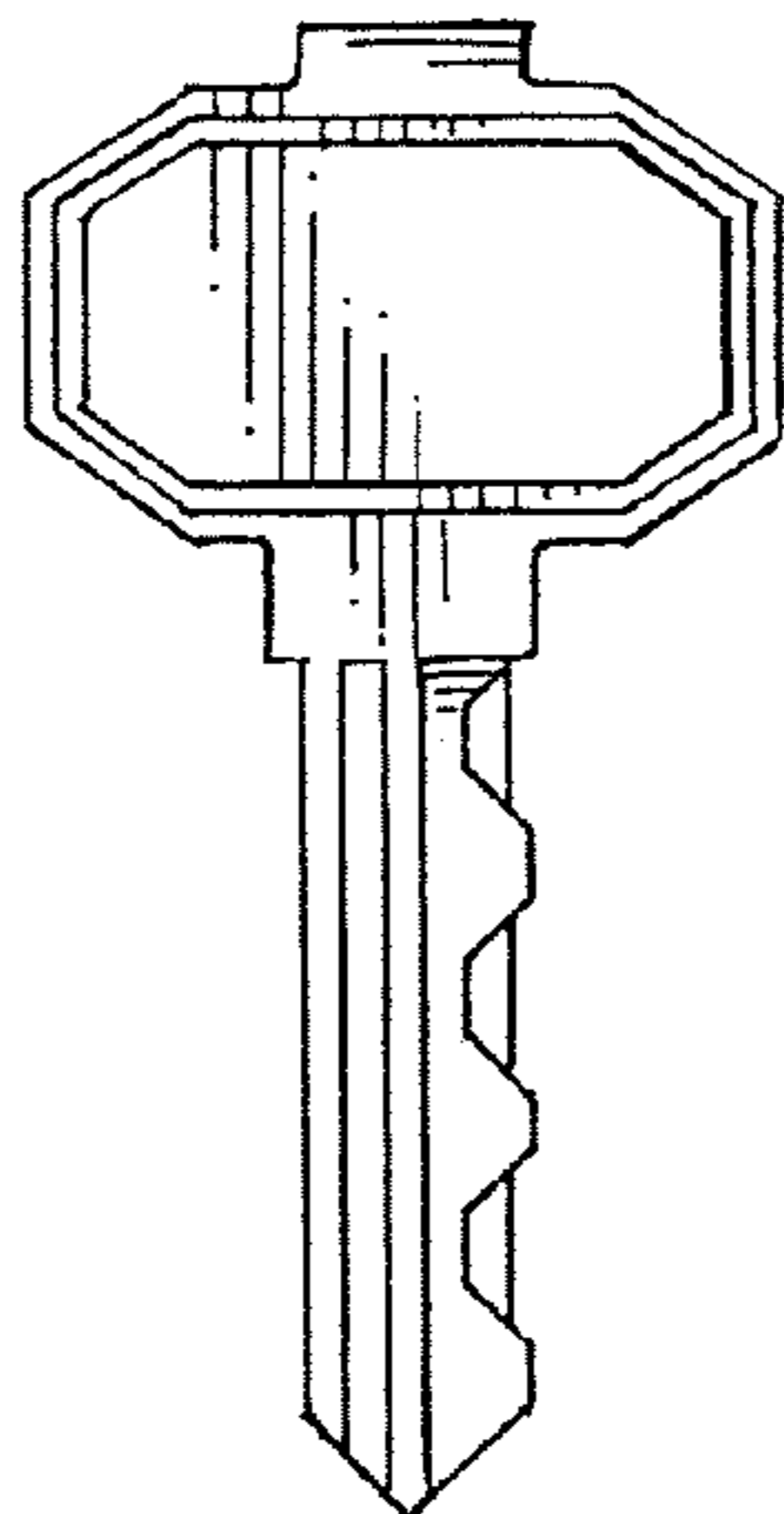


Fig. 2

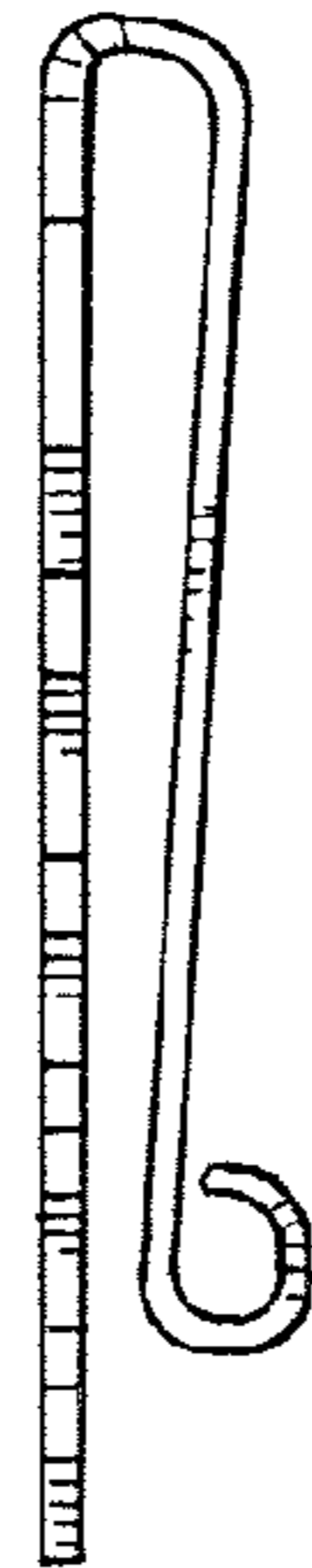


Fig. 3

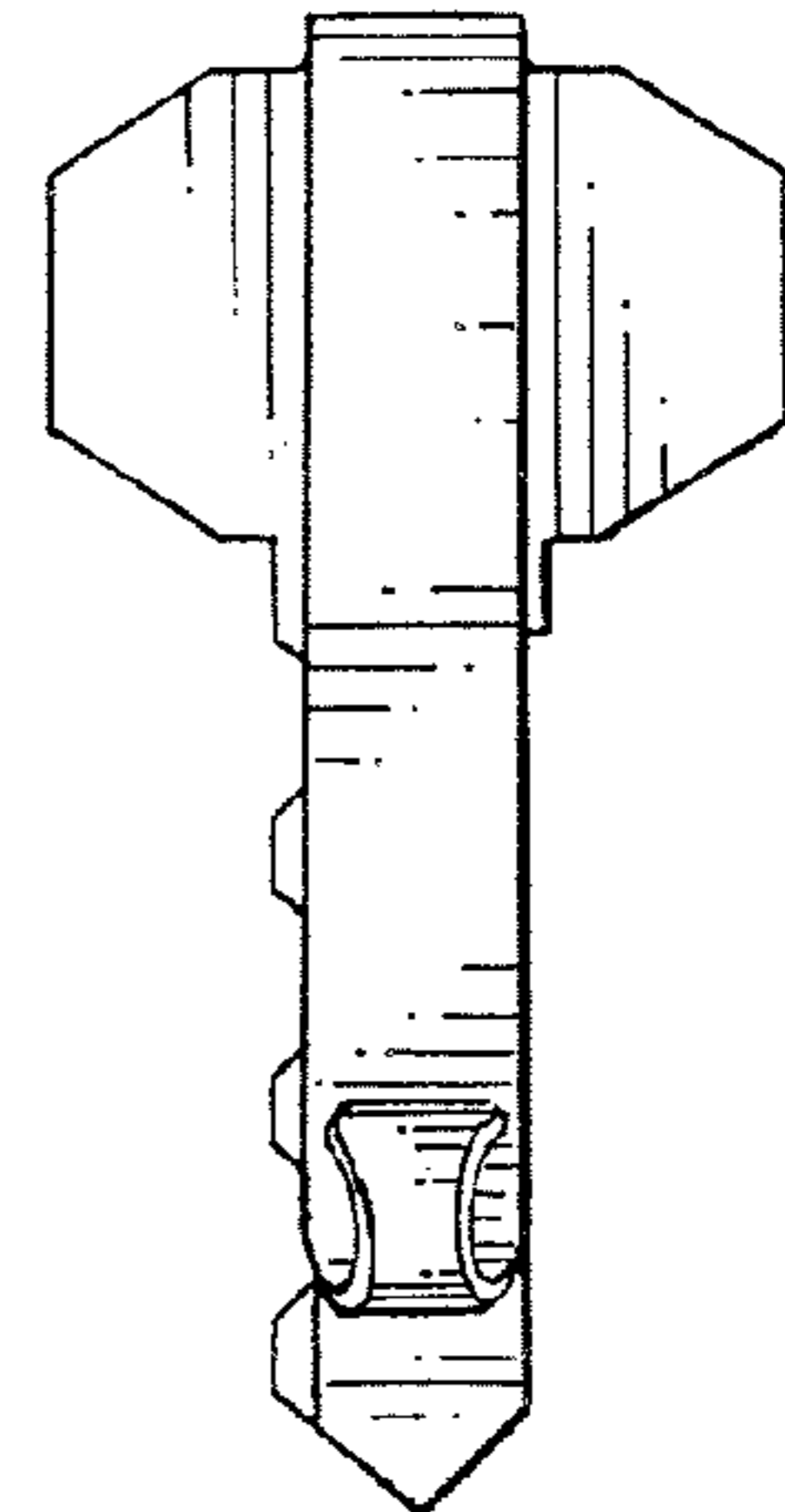


Fig. 4

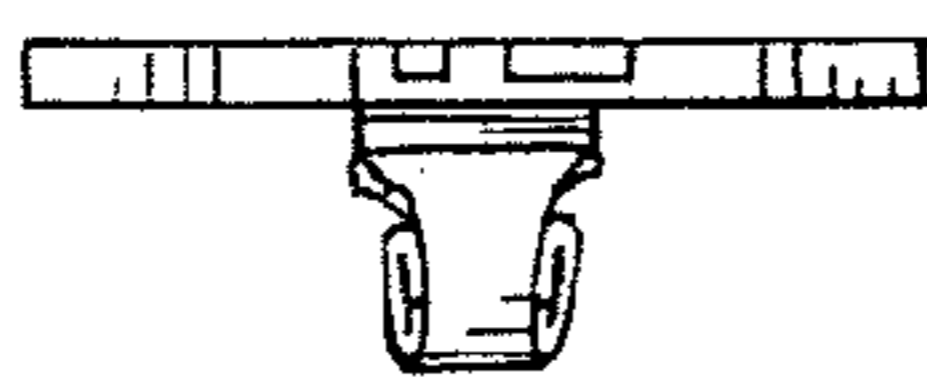


Fig. 6