



US00D581624S

(12) **United States Design Patent**
Kato

(10) **Patent No.:** **US D581,624 S**
(45) **Date of Patent:** **** Nov. 25, 2008**

(54) **CONTROL DEVICE FOR AN AUTOMATED WAREHOUSING SYSTEM**

(75) Inventor: **Naoto Kato**, Kariya (JP)

(73) Assignee: **Kabushiki Kaisha Toyota Jidoshokki**, Kariya-Shi (JP)

(**) Term: **14 Years**

(21) Appl. No.: **29/273,247**

(22) Filed: **Feb. 27, 2007**

(30) **Foreign Application Priority Data**

Sep. 1, 2006 (JP) 2006-023488

(51) **LOC (8) Cl.** **12-05**

(52) **U.S. Cl.** **D34/35**

(58) **Field of Classification Search** D34/35;
D12/192; D13/162, 164; 212/324, 326,
212/327; 180/315; D15/28; D14/371, 374,
D14/375; 414/273, 281

See application file for complete search history.

(56) **References Cited**

U.S. PATENT DOCUMENTS

5,141,380 A 8/1992 Kato et al.
D382,569 S * 8/1997 Esposito D15/28
D424,033 S * 5/2000 Hsu D14/374

D457,523 S * 5/2002 Baek D14/375
D497,910 S * 11/2004 Huang et al. D14/375
D528,115 S * 9/2006 Yoon D14/375
D542,504 S * 5/2007 Yanagida et al. D34/35
D557,645 S * 12/2007 Akagawa et al. D12/192
D568,574 S * 5/2008 Kato et al. D34/35
D572,025 S * 7/2008 Kwon D6/308
D575,783 S * 8/2008 Hean et al. D14/375

* cited by examiner

Primary Examiner—Cynthia E Ramirez

(74) *Attorney, Agent, or Firm*—Morgan & Finnegan, LLP

(57) **CLAIM**

The ornamental design for a control device for an automated warehousing system, as shown and described.

DESCRIPTION

FIG. 1 is a front perspective view of my design for a control device for an automated warehousing system;

FIG. 2 is a rear perspective view thereof;

FIG. 3 is a front view thereof;

FIG. 4 is a rear view thereof;

FIG. 5 is a top plan view thereof;

FIG. 6 is a bottom plan view thereof; and,

FIG. 7 is a right side elevational view thereof, the left side elevational view being a mirror image of FIG. 7.

1 Claim, 6 Drawing Sheets

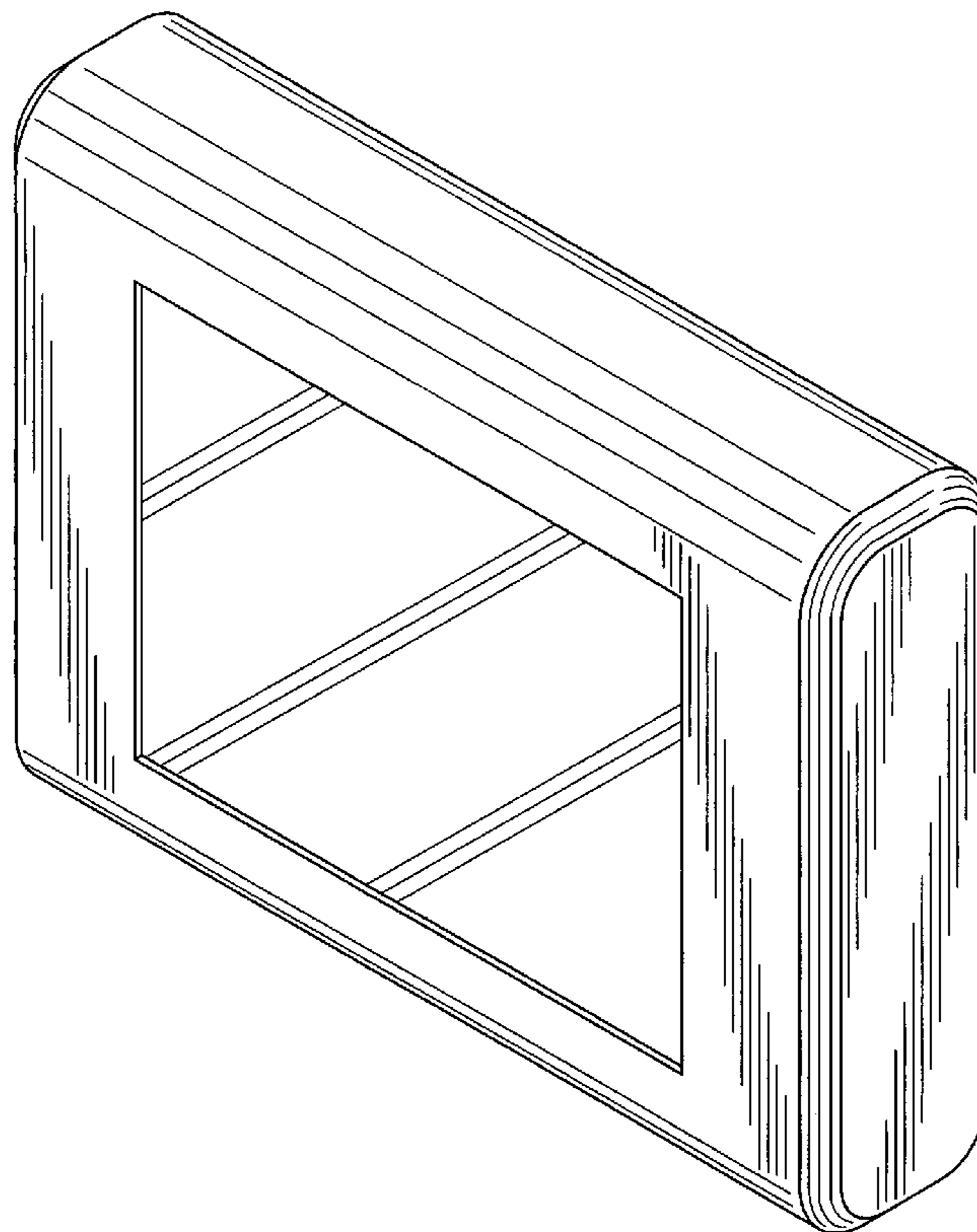


FIG. 1

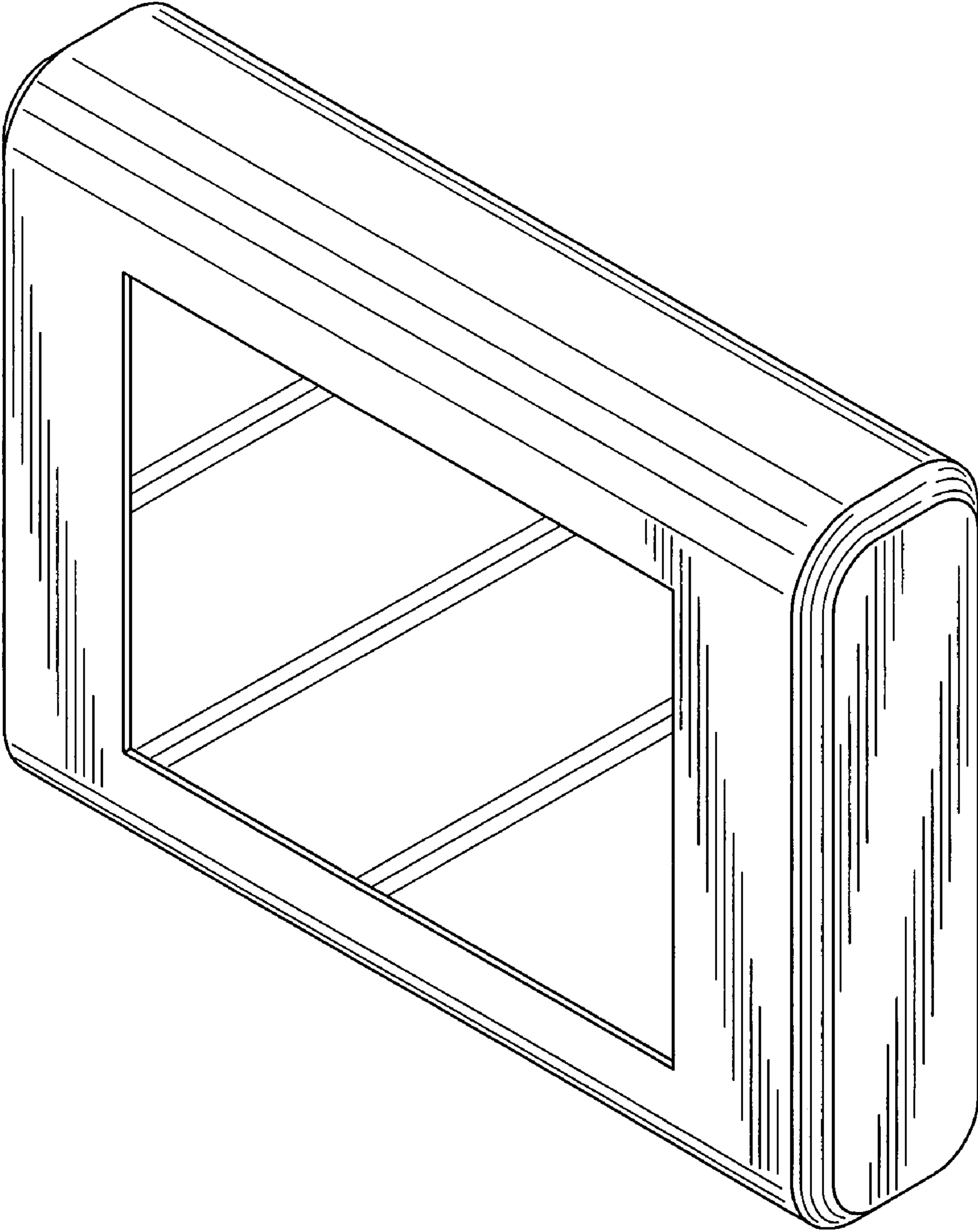


FIG. 2

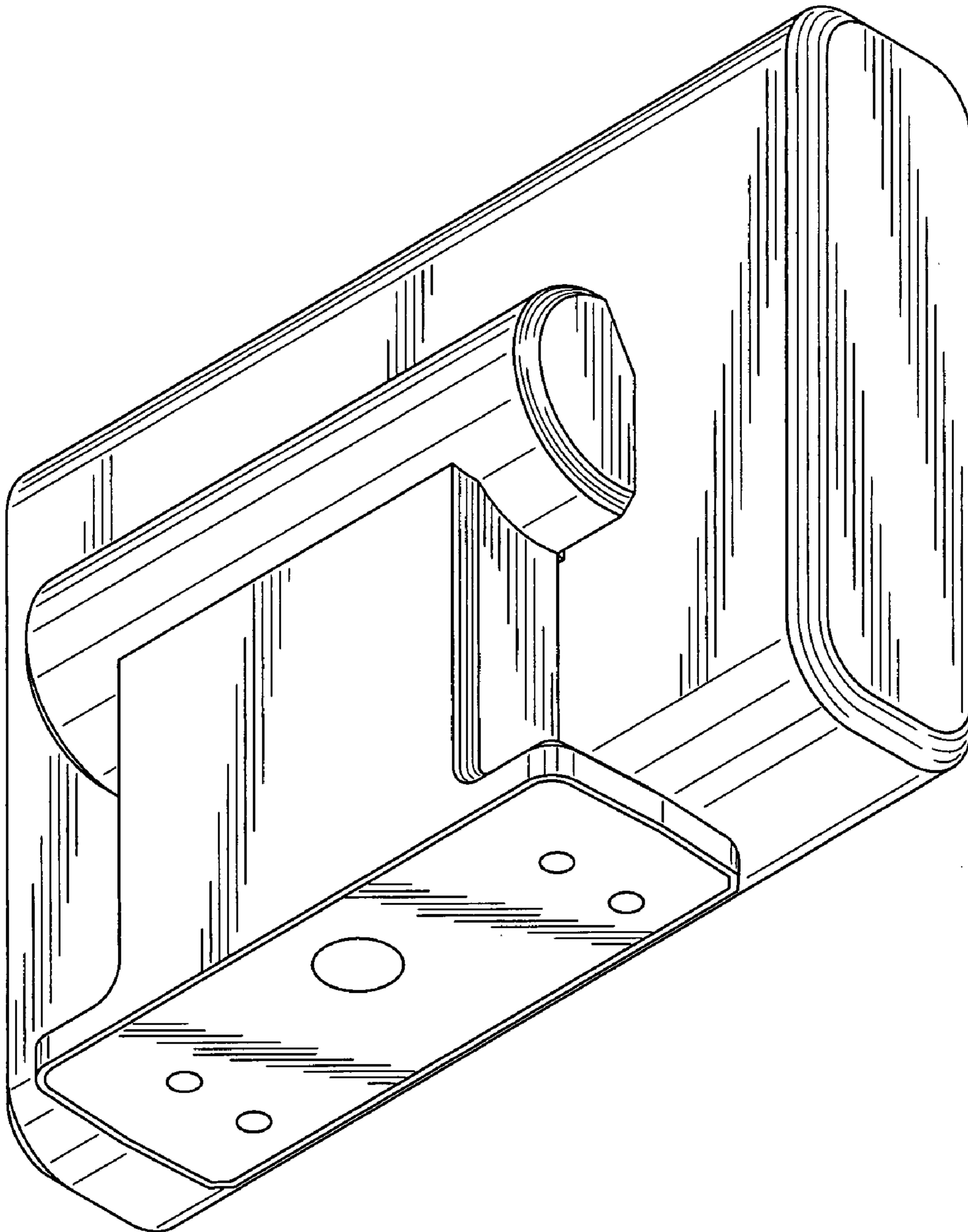


FIG. 3

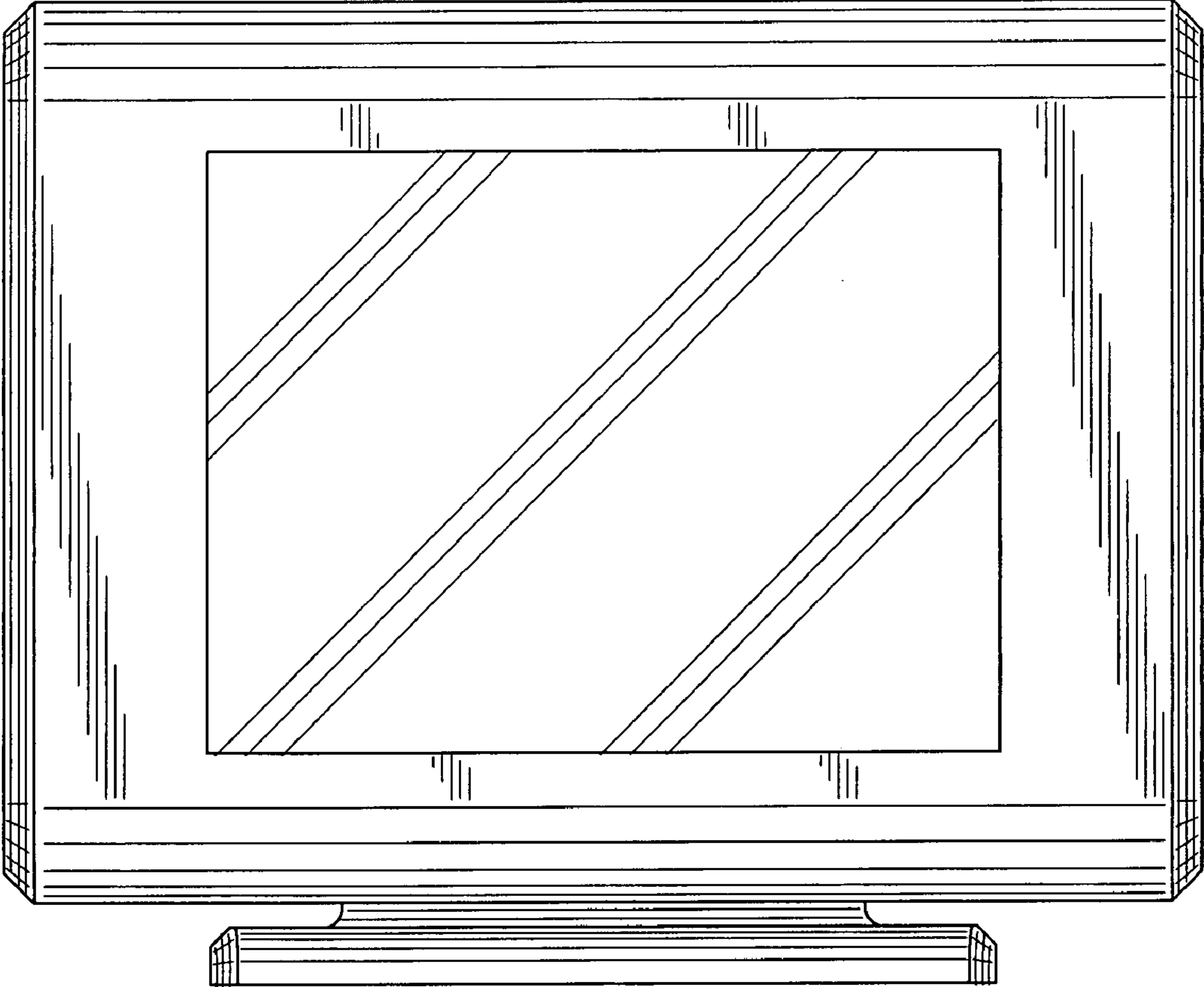


FIG. 4

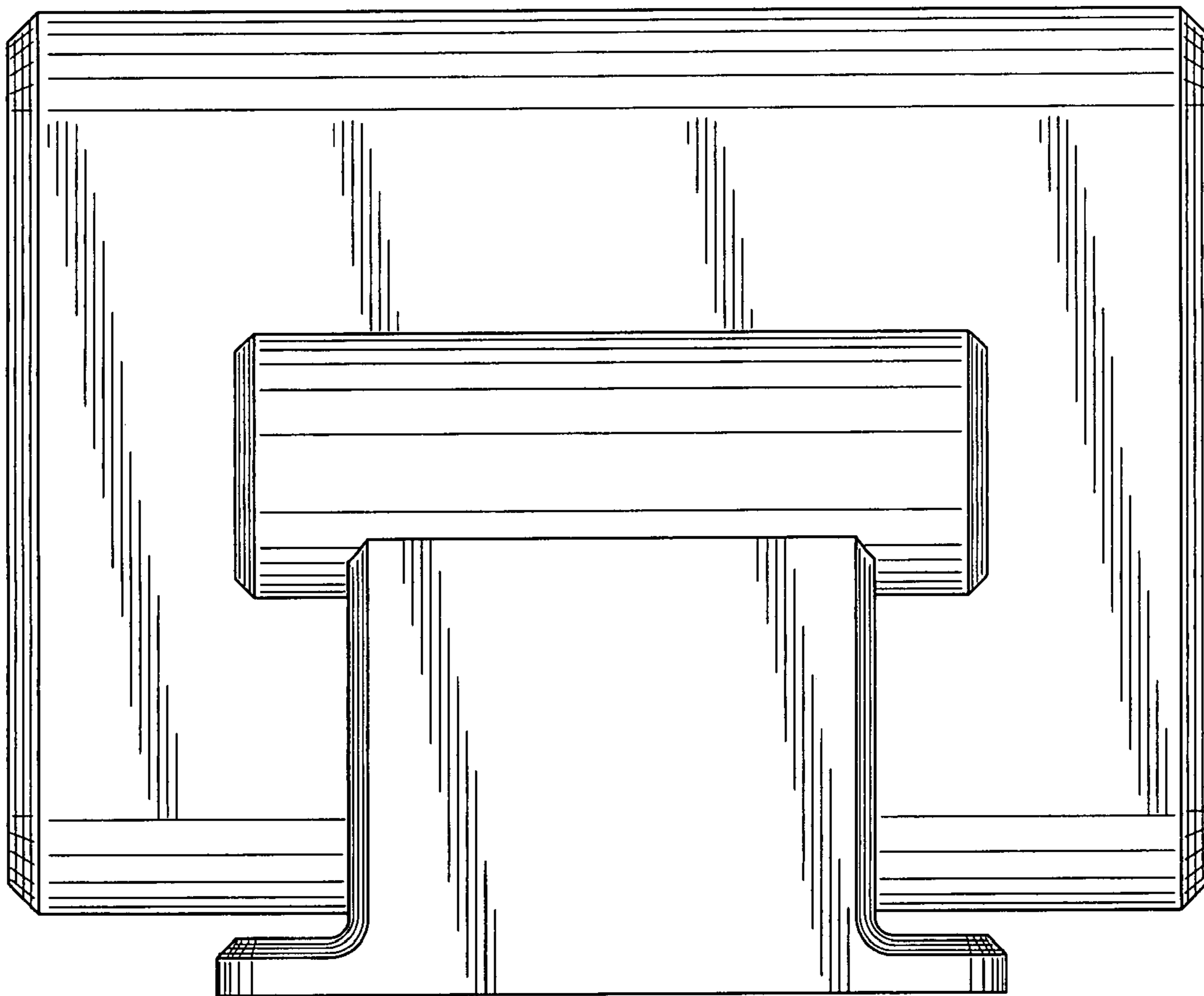


FIG. 5

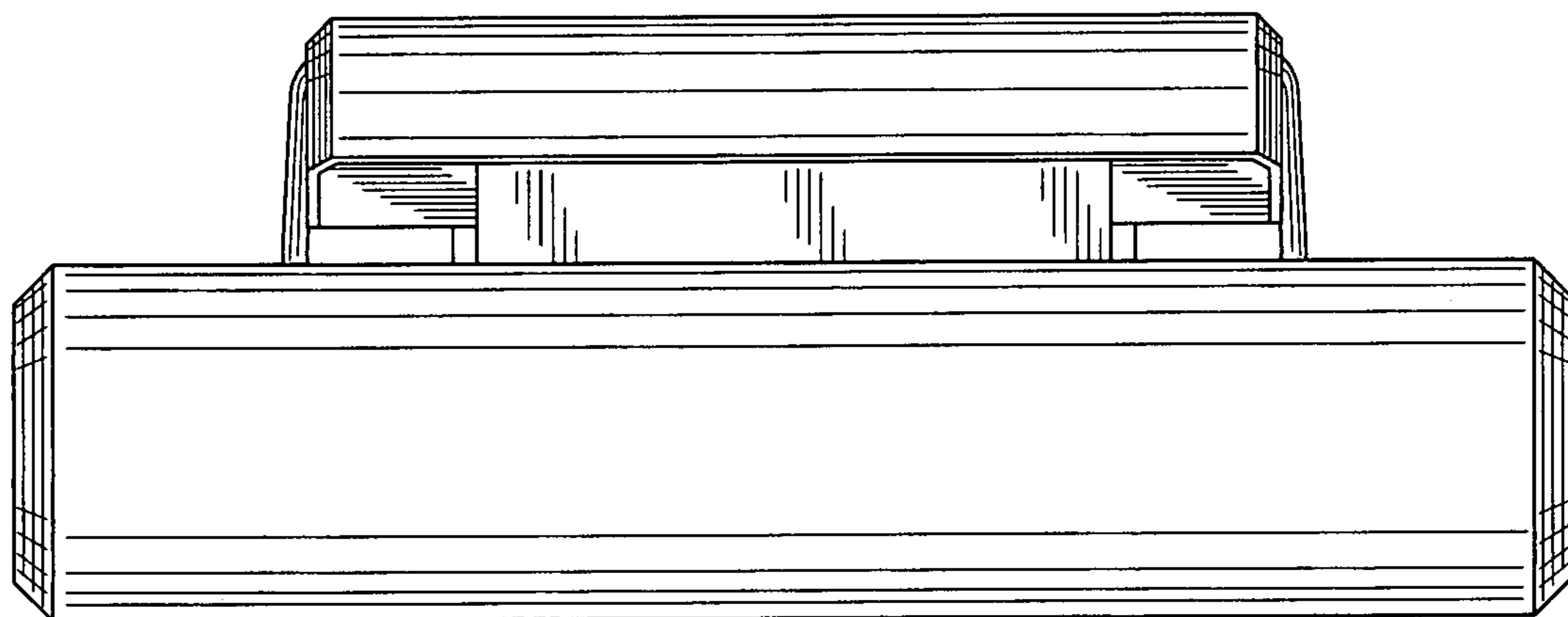


FIG. 6

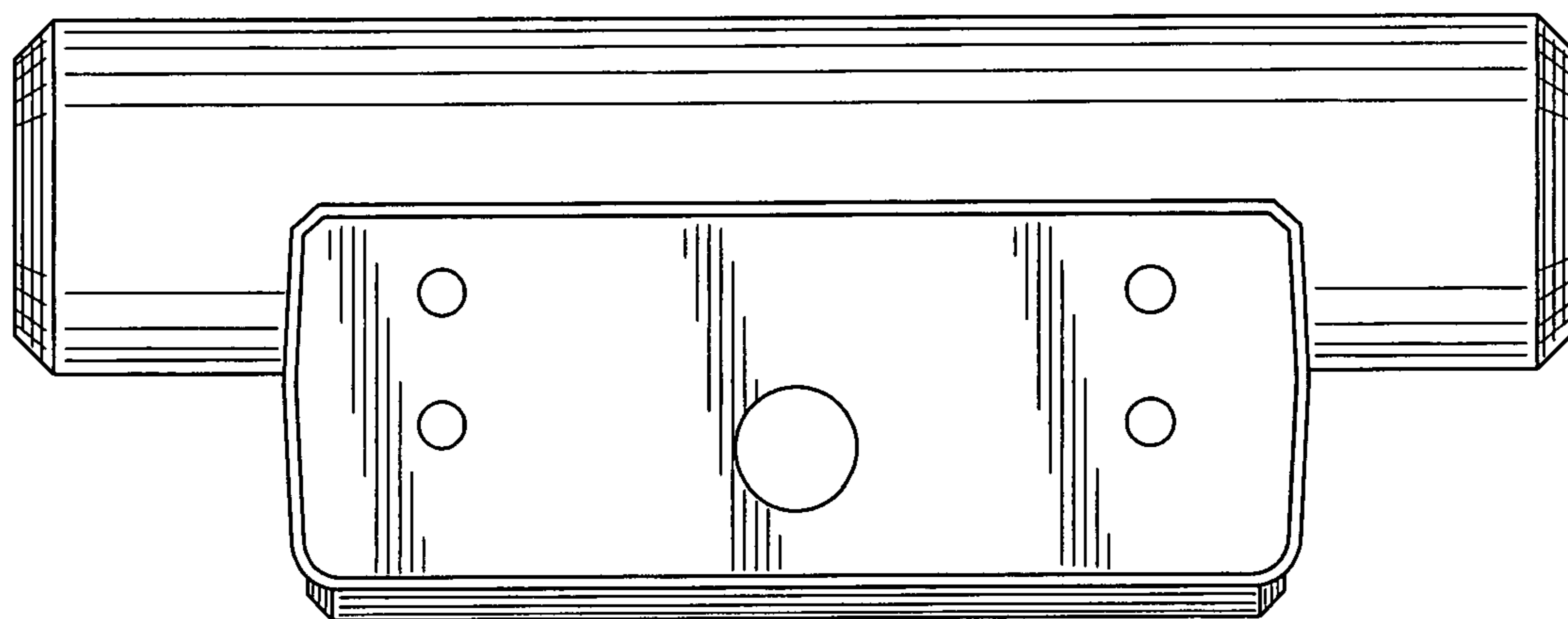


FIG. 7

