



US00D581622S

(12) **United States Design Patent**  
**Presnell et al.**

(10) **Patent No.:** **US D581,622 S**  
(45) **Date of Patent:** **\*\* Nov. 25, 2008**

(54) **STEP ON CONTAINER**

(75) Inventors: **Donald C. Presnell**, Stephens City, VA (US); **Brian Michael Yarcich**, Stephens City, VA (US)

(73) Assignee: **Rubbermaid Commercial Products LLC**, Winchester, VA (US)

(\*\*) Term: **14 Years**

(21) Appl. No.: **29/283,682**

(22) Filed: **Aug. 21, 2007**

(51) **LOC (8) Cl.** ..... **09-09**

(52) **U.S. Cl.** ..... **D34/9**

(58) **Field of Classification Search** ..... D34/1,  
D34/5, 6, 7, 8, 9, 10, 11; 220/908-913, 262-264  
See application file for complete search history.

(56) **References Cited**

**U.S. PATENT DOCUMENTS**

|            |   |         |             |       |        |
|------------|---|---------|-------------|-------|--------|
| D481,187 S | * | 10/2003 | Sofy et al. | ..... | D34/9  |
| D522,206 S | * | 5/2006  | Yang        | ..... | D34/10 |
| D555,320 S | * | 11/2007 | Yang et al. | ..... | D34/9  |
| D561,420 S | * | 2/2008  | Lin         | ..... | D34/9  |
| D571,520 S | * | 6/2008  | Lin         | ..... | D34/9  |
| D572,423 S | * | 7/2008  | Lin         | ..... | D34/9  |

\* cited by examiner

*Primary Examiner*—Cynthia E Ramirez

(74) *Attorney, Agent, or Firm*—Foley & Lardner LLP

(57) **CLAIM**

The ornamental design for a step on container, as shown and described.

**DESCRIPTION**

FIG. 1 is a top frontal perspective view of a step on container according to our new design;

FIG. 2 is a front view of the step on container shown in FIG. 1;

FIG. 3 is a back view of the step on container shown in FIG. 1;

FIG. 4 is a left side view of the step on container shown in FIG. 1;

FIG. 5 is a right side view of the step on container shown in FIG. 1;

FIG. 6 is a top view of the step on container shown in FIG. 1; and,

FIG. 7 is a bottom view of the step on container shown in FIG. 1.

The ornamental design which is claimed is shown in solid lines in the drawings. The broken lines in the drawings are for illustrative purposes only and form no part of the claimed design.

**1 Claim, 6 Drawing Sheets**

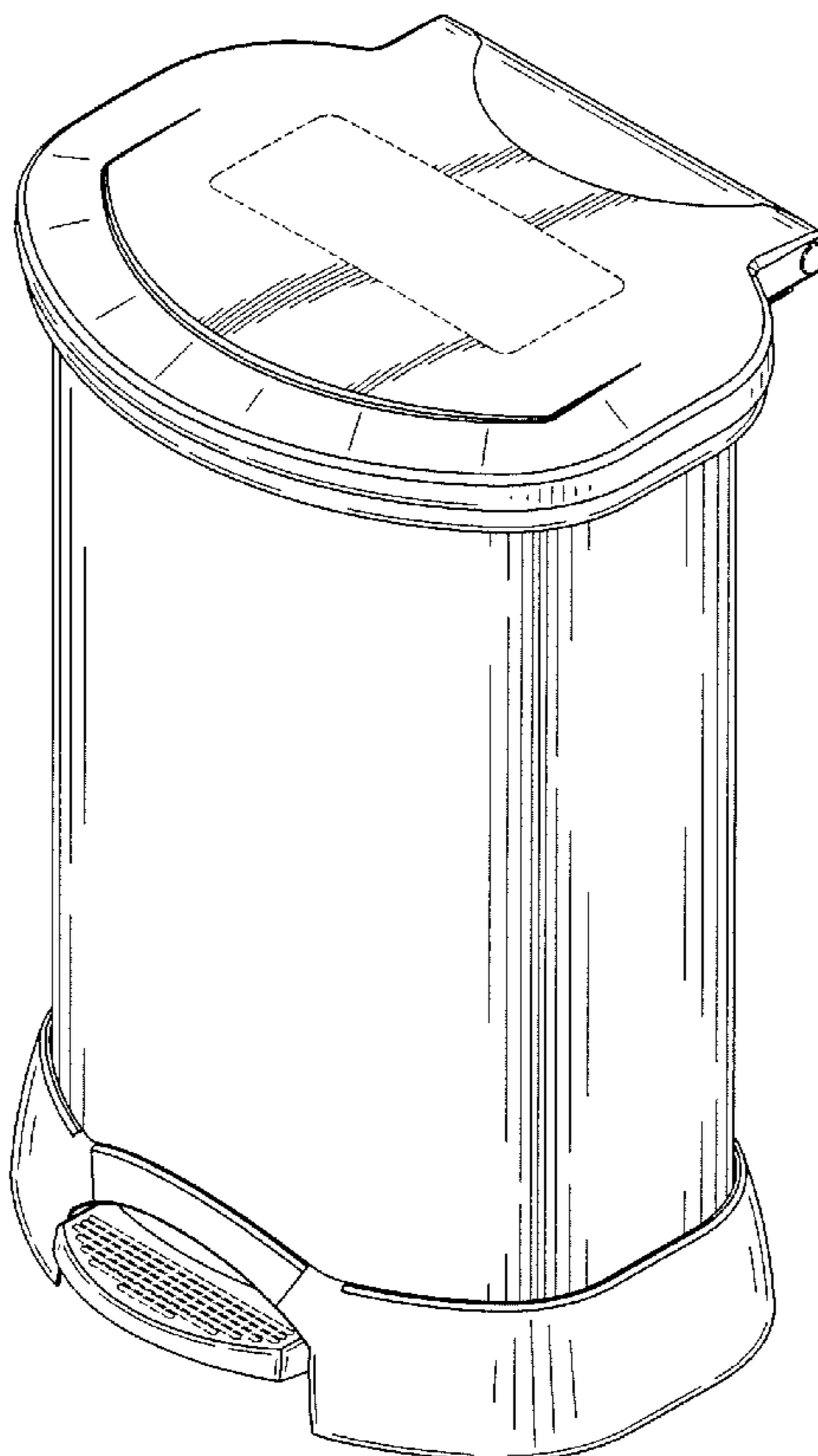


Fig. 1

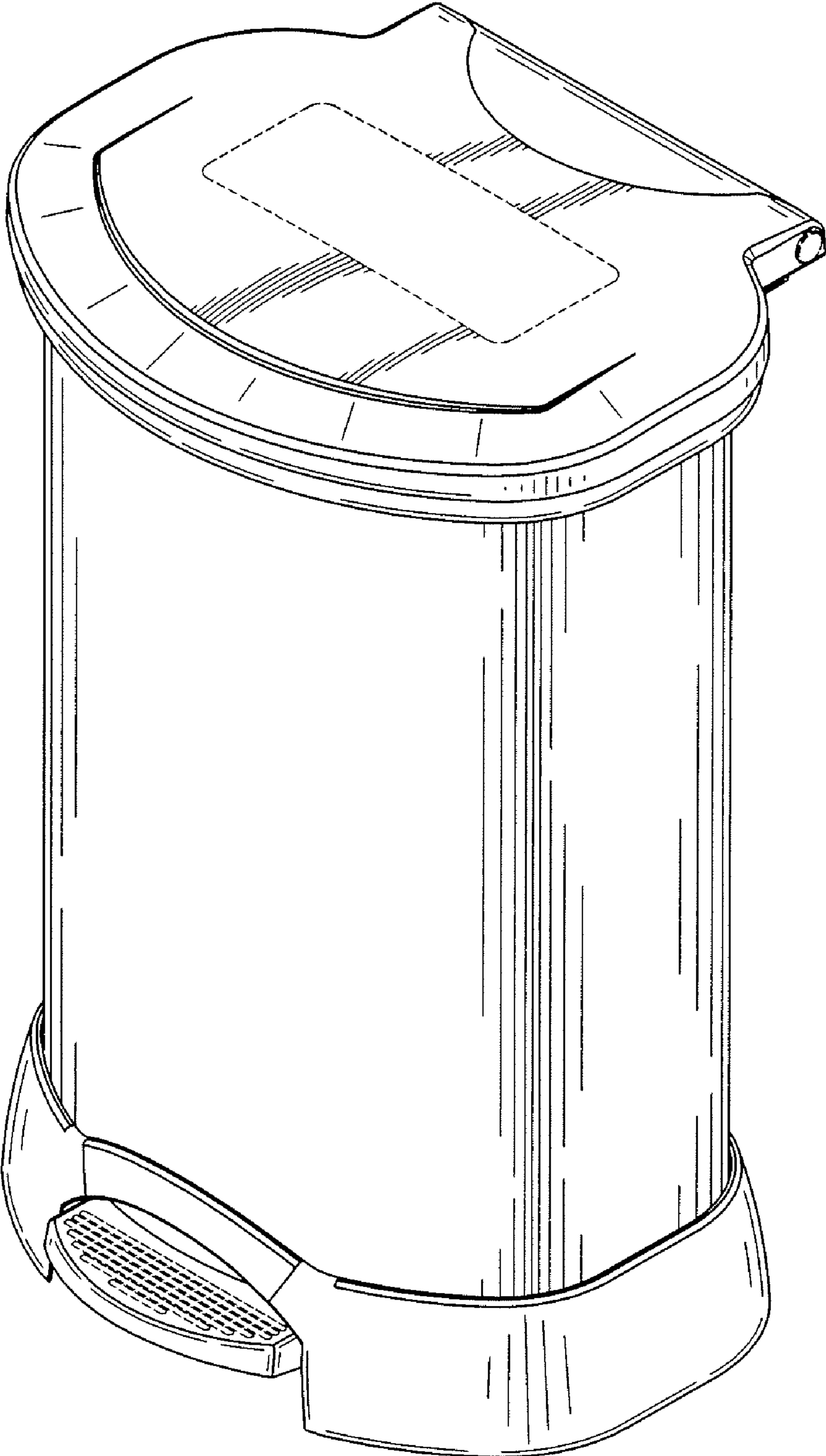


Fig. 2

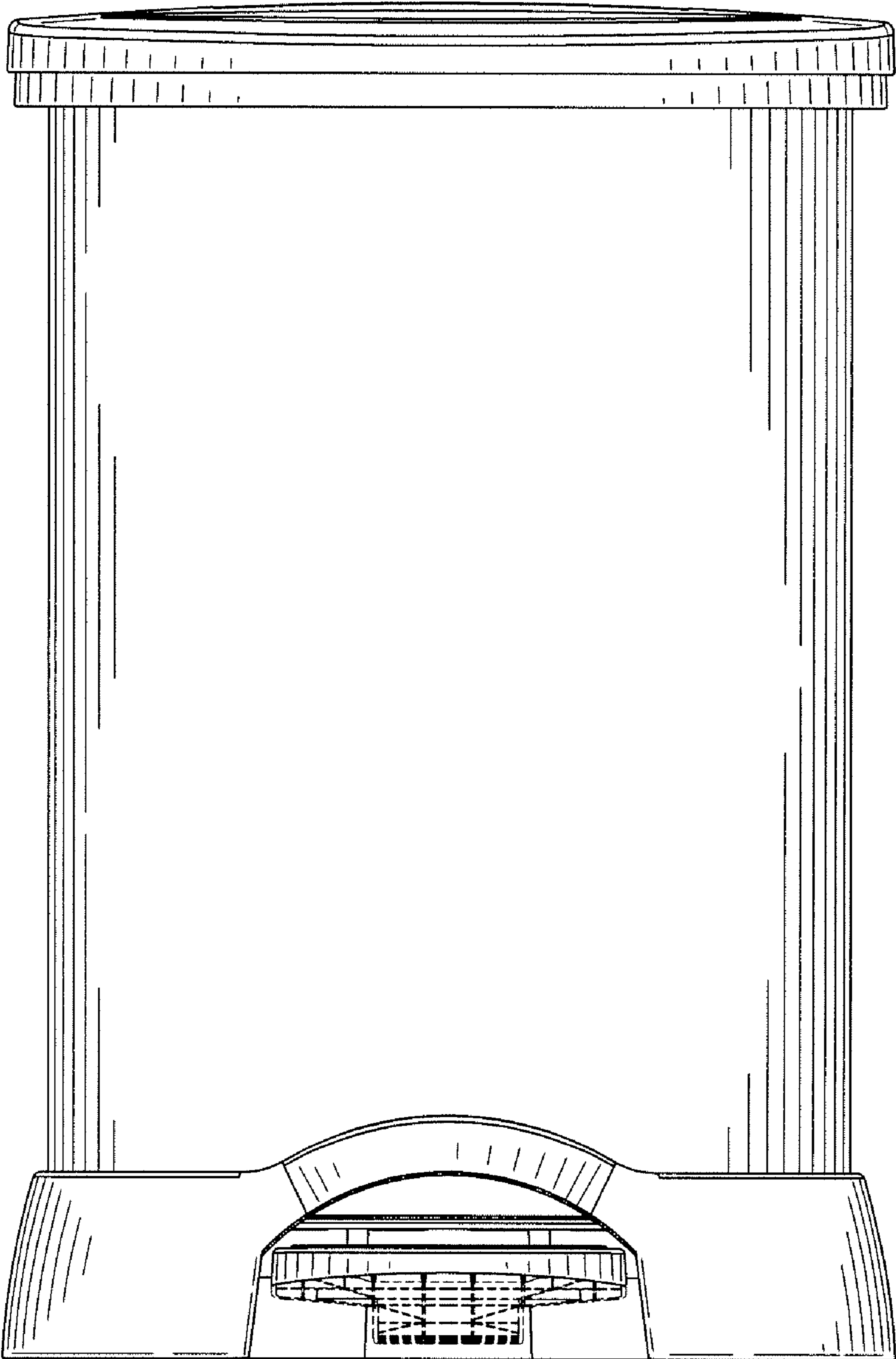


Fig. 3

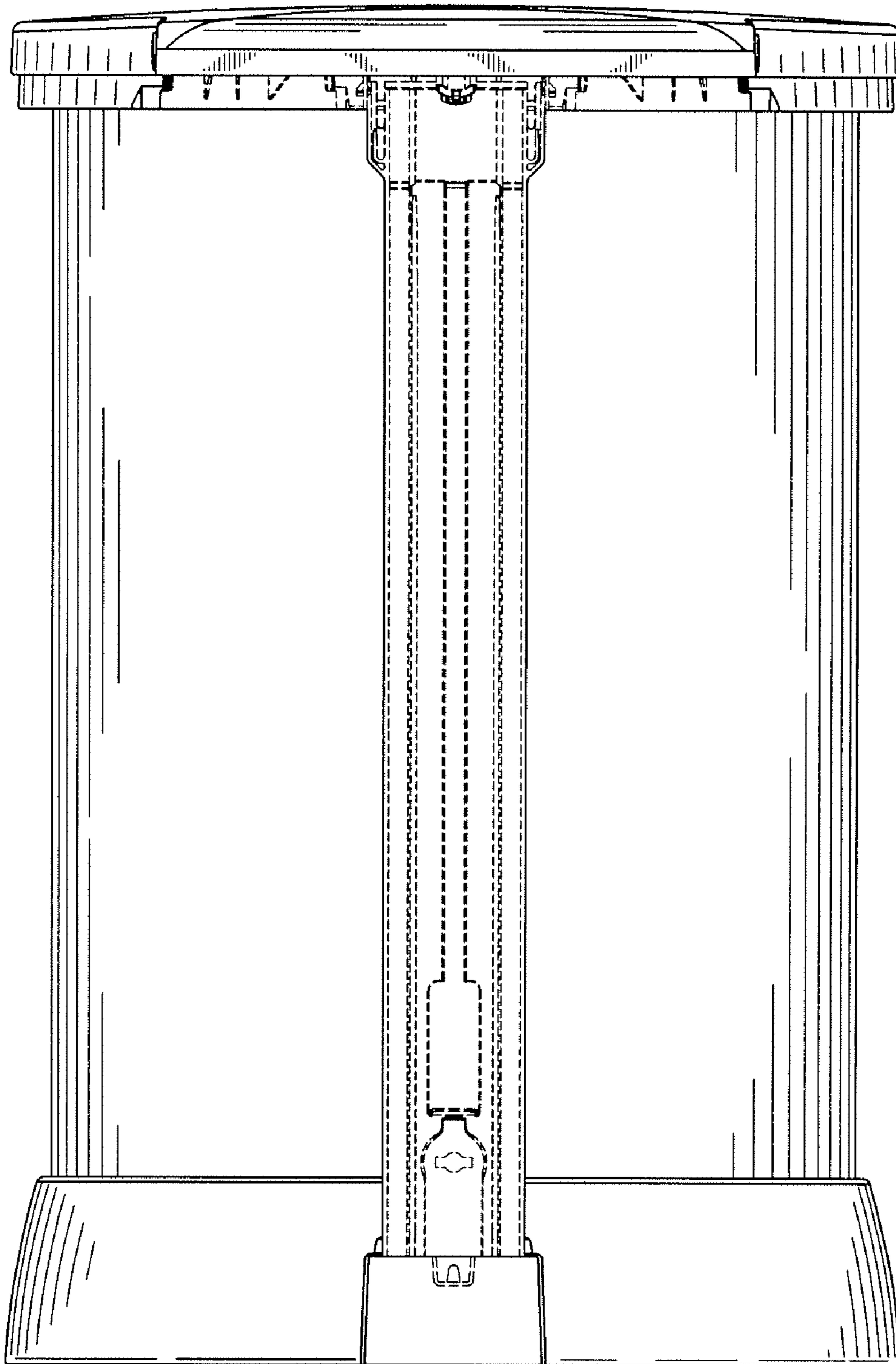


Fig. 4

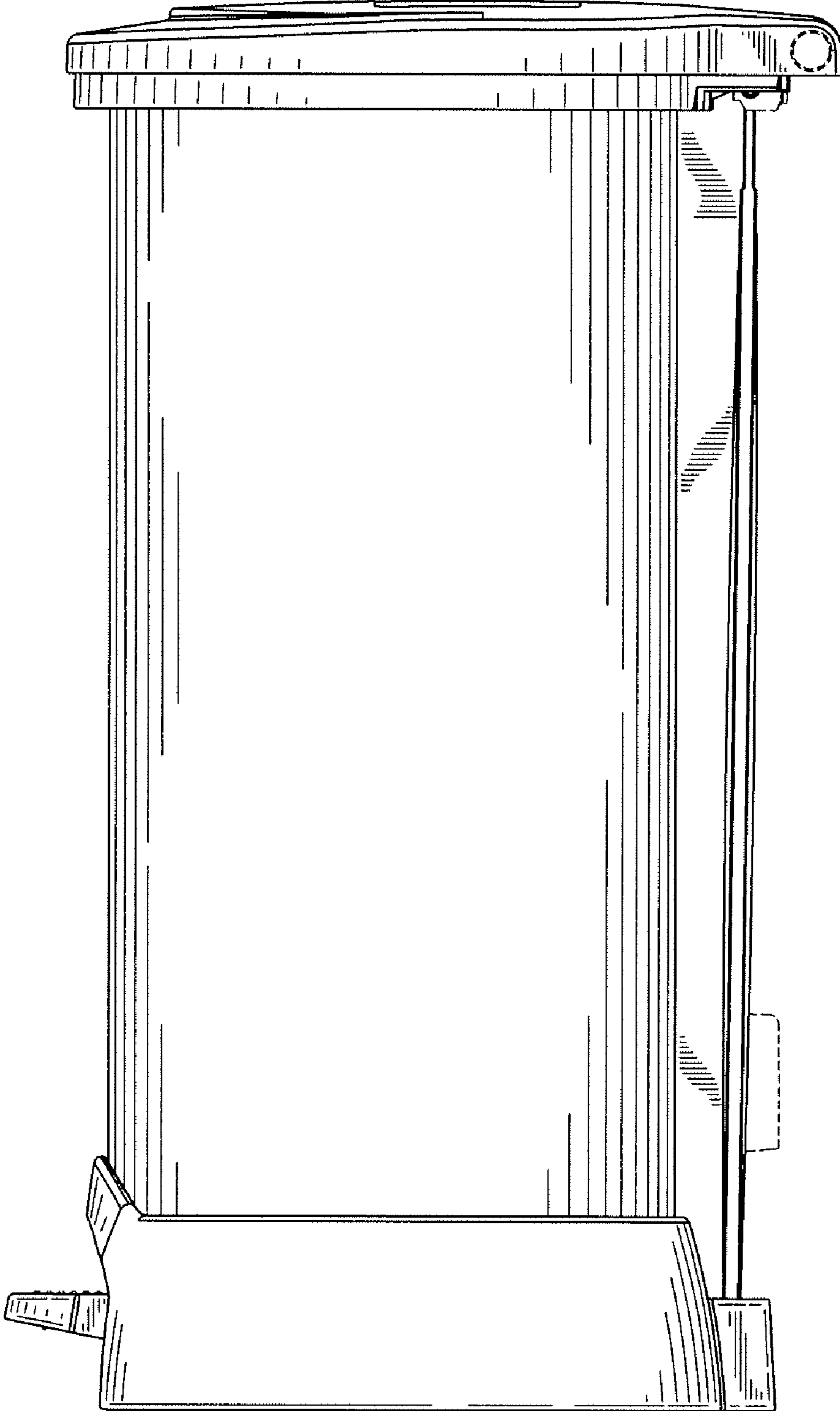


Fig. 5

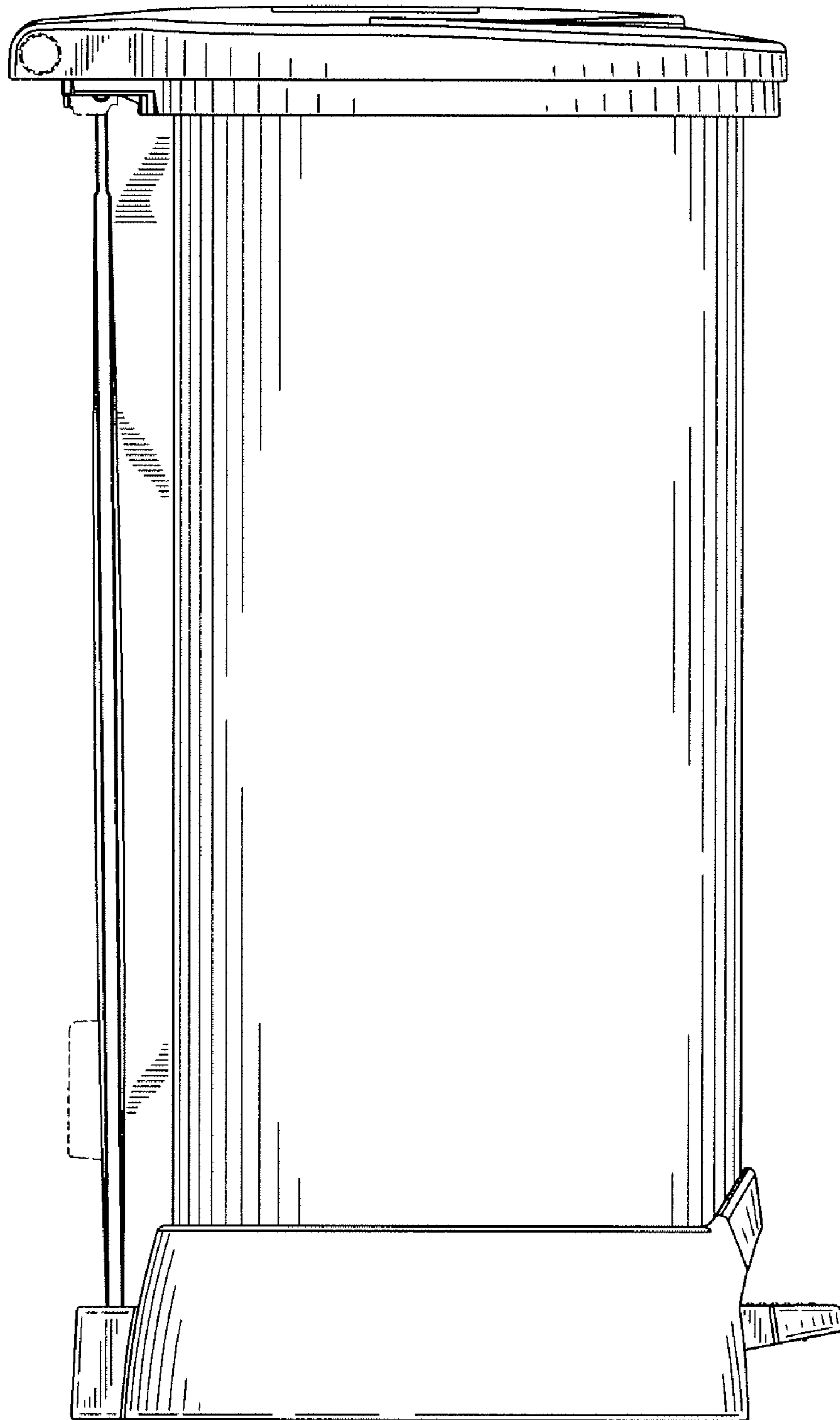


Fig. 6

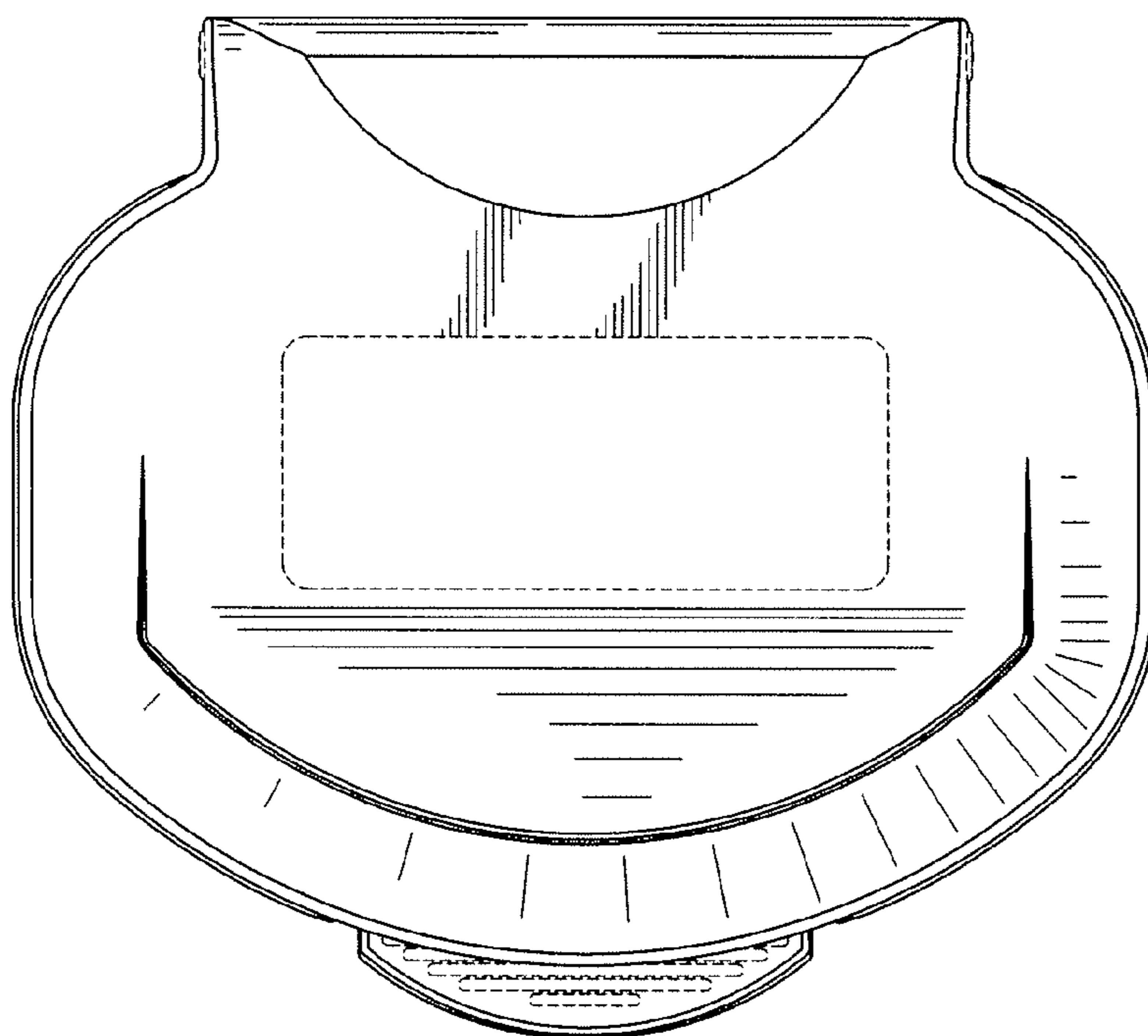


Fig. 7

