

US00D581620S

(12) **United States Design Patent**  
**Chu**

(10) **Patent No.:** **US D581,620 S**

(45) **Date of Patent:** **\*\* Nov. 25, 2008**

(54) **IRON WITH STEAM GENERATOR**

(75) Inventor: **Francis Wa Chu**, Singapore (SG)

(73) Assignee: **Koninklijke Philips Electronics N.V.**,  
Eindhoven (NL)

(\*\*) Term: **14 Years**

(21) Appl. No.: **29/303,275**

(22) Filed: **Feb. 5, 2008**

(30) **Foreign Application Priority Data**

Aug. 21, 2007 (EM) ..... 000776638

(51) **LOC (8) Cl.** ..... **07-05**

(52) **U.S. Cl.** ..... **D32/68; D32/73**

(58) **Field of Classification Search** ..... D32/68,  
D32/69-73; 38/15, 77.1-77.9, 79, 96, 106-107,  
38/69, 141-142; 248/117.1-117.8; 219/245-259;  
392/383

See application file for complete search history.

(56) **References Cited**

**U.S. PATENT DOCUMENTS**

3,811,208 A \* 5/1974 Viceli et al. .... 38/77.8  
D315,434 S \* 3/1991 Paulin ..... D32/68  
D379,702 S \* 6/1997 Gudelin et al. .... D32/73

D388,921 S \* 1/1998 Doria ..... D32/73  
D423,163 S \* 4/2000 Stutzer et al. .... D32/73  
6,212,332 B1 \* 4/2001 Sham et al. .... 392/404  
D452,354 S \* 12/2001 Hsu ..... D32/70  
D463,641 S \* 9/2002 Powell ..... D32/71  
D470,637 S \* 2/2003 Berthier ..... D32/73  
D470,986 S \* 2/2003 Berthier ..... D32/73  
D484,658 S \* 12/2003 Schupp ..... D32/73  
6,711,840 B1 \* 3/2004 Rosenzweig ..... 38/69  
D548,418 S \* 8/2007 Cahen ..... D32/70

\* cited by examiner

*Primary Examiner*—Pamela J Burgess

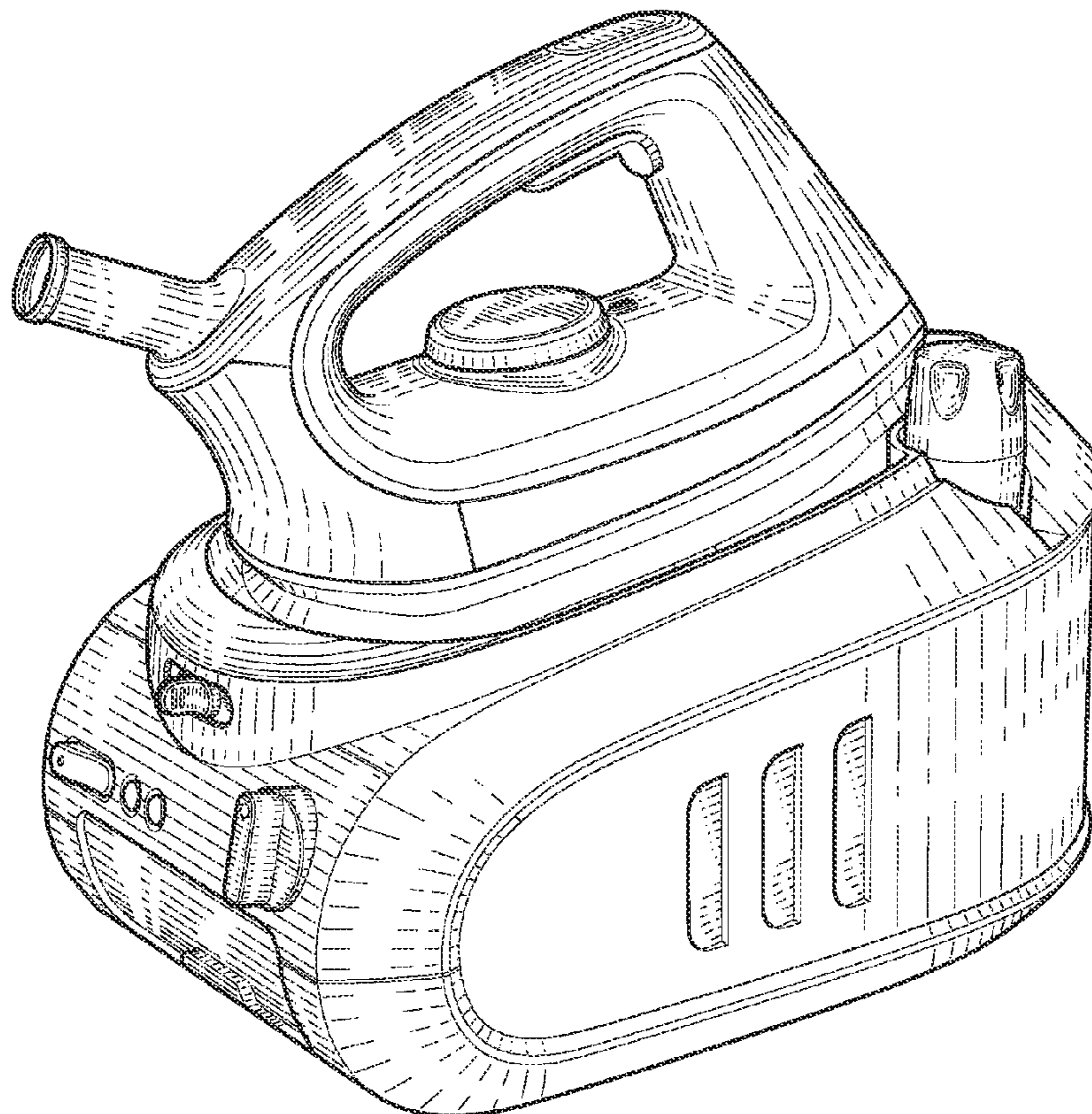
(57) **CLAIM**

The ornamental design for a iron with steam generator, as shown.

**DESCRIPTION**

FIG. 1 is a perspective view showing my design;  
FIG. 2 is a front elevational view thereof;  
FIG. 3 is a rear elevational view thereof;  
FIG. 4 is a right side elevational view thereof;  
FIG. 5 is a left side elevational view thereof;  
FIG. 6 is a top plan view thereof; and,  
FIG. 7 is a bottom plan view thereof.

**1 Claim, 5 Drawing Sheets**



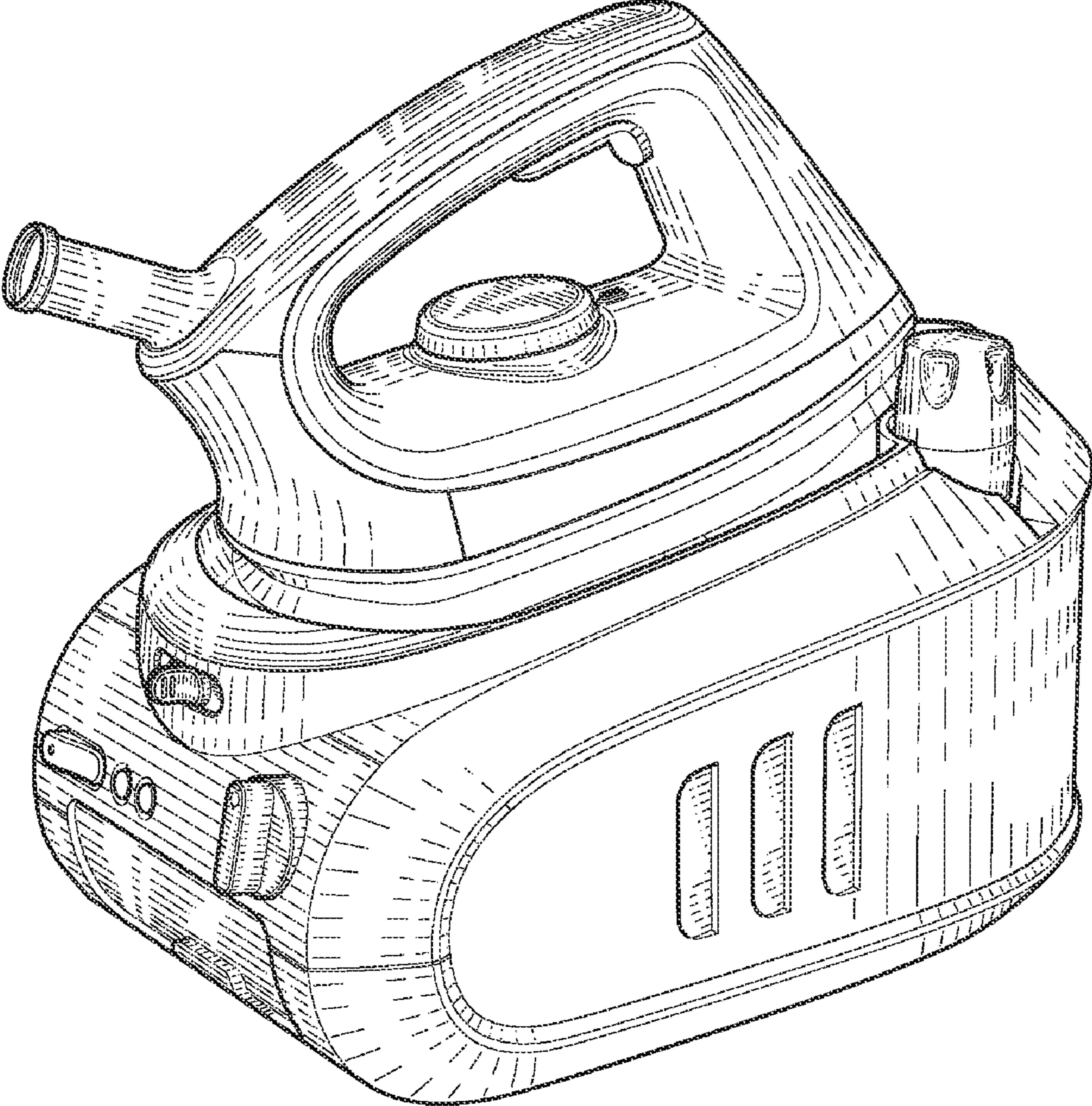


FIG. 1

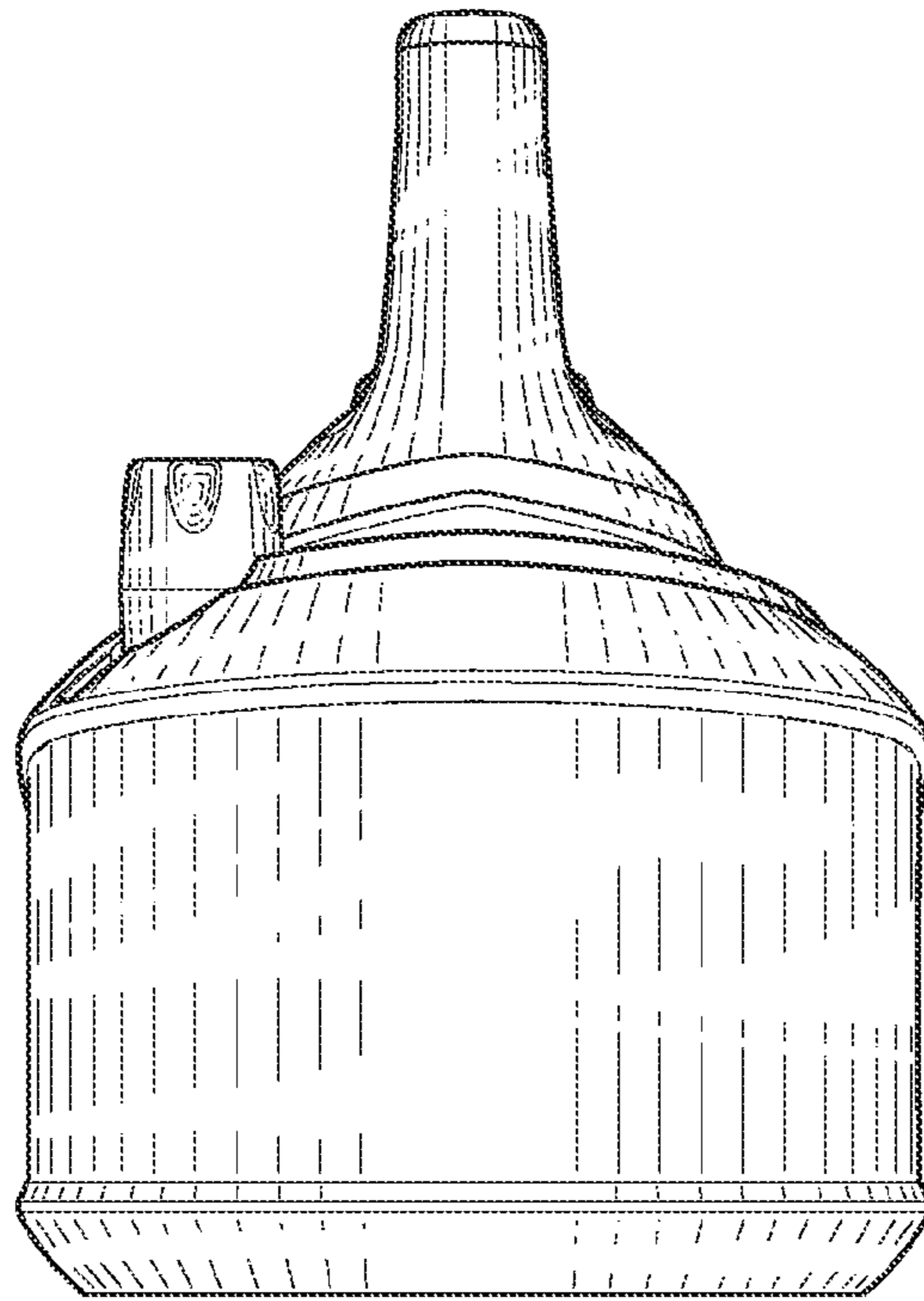


FIG. 2

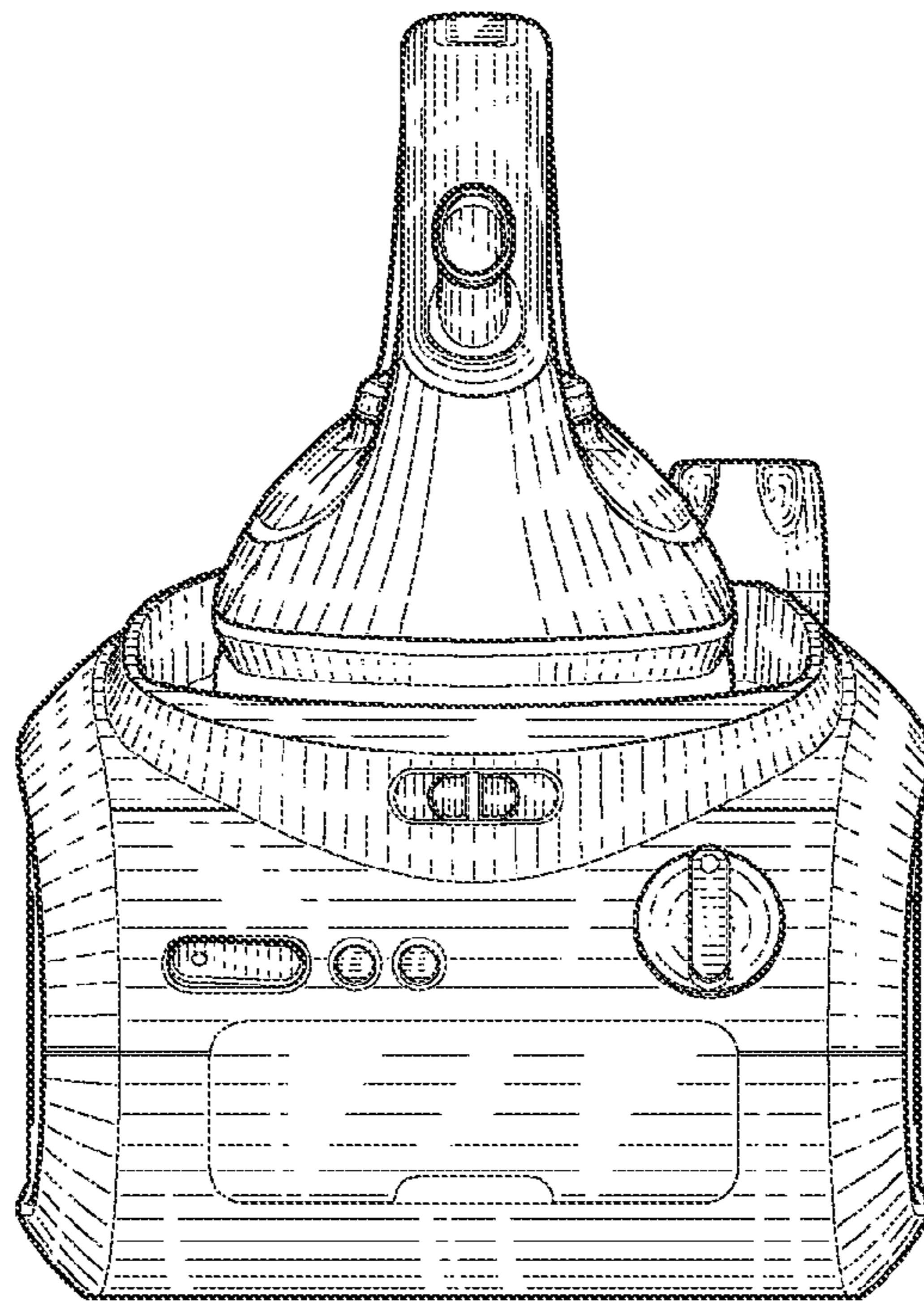


FIG. 3

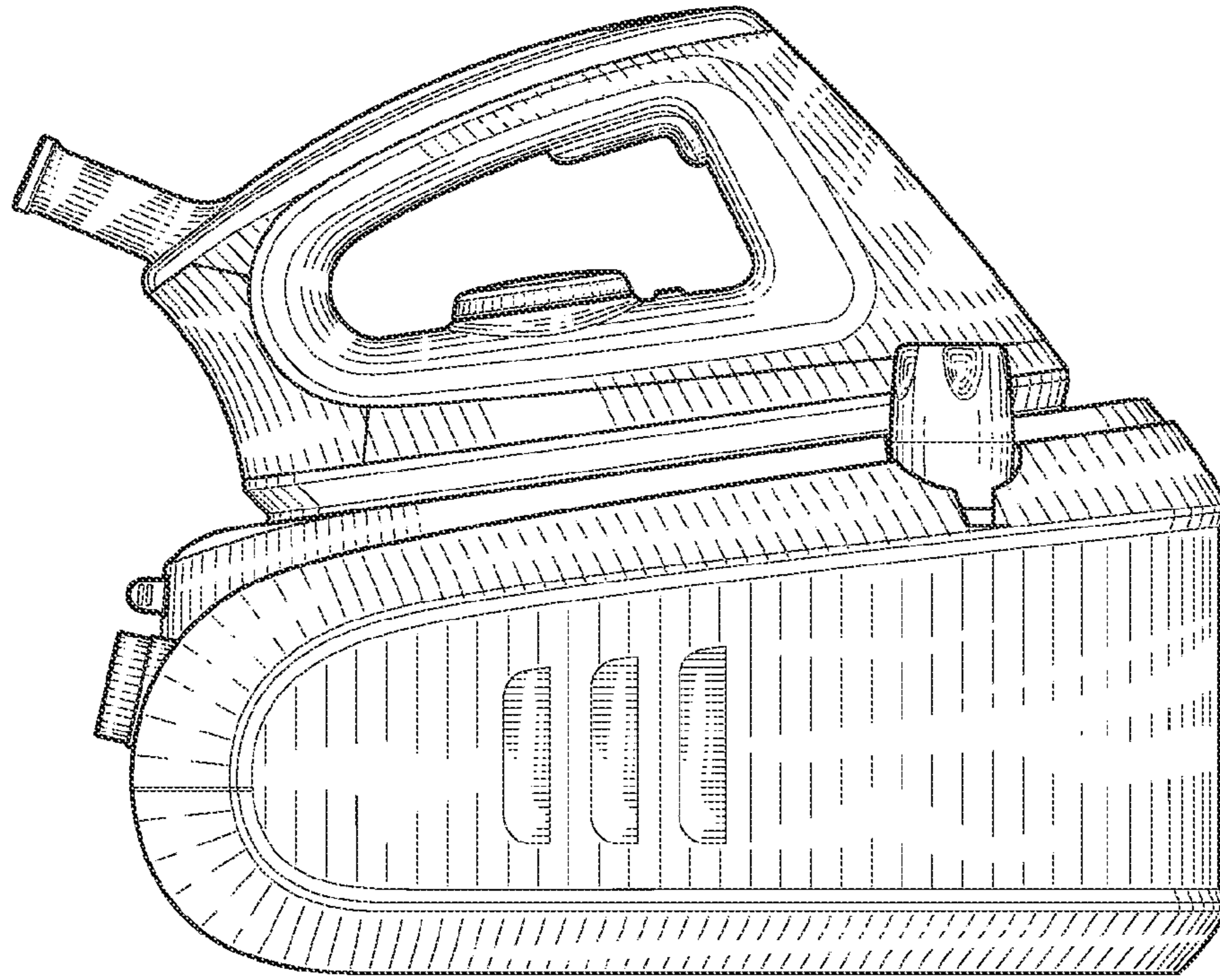


FIG. 4

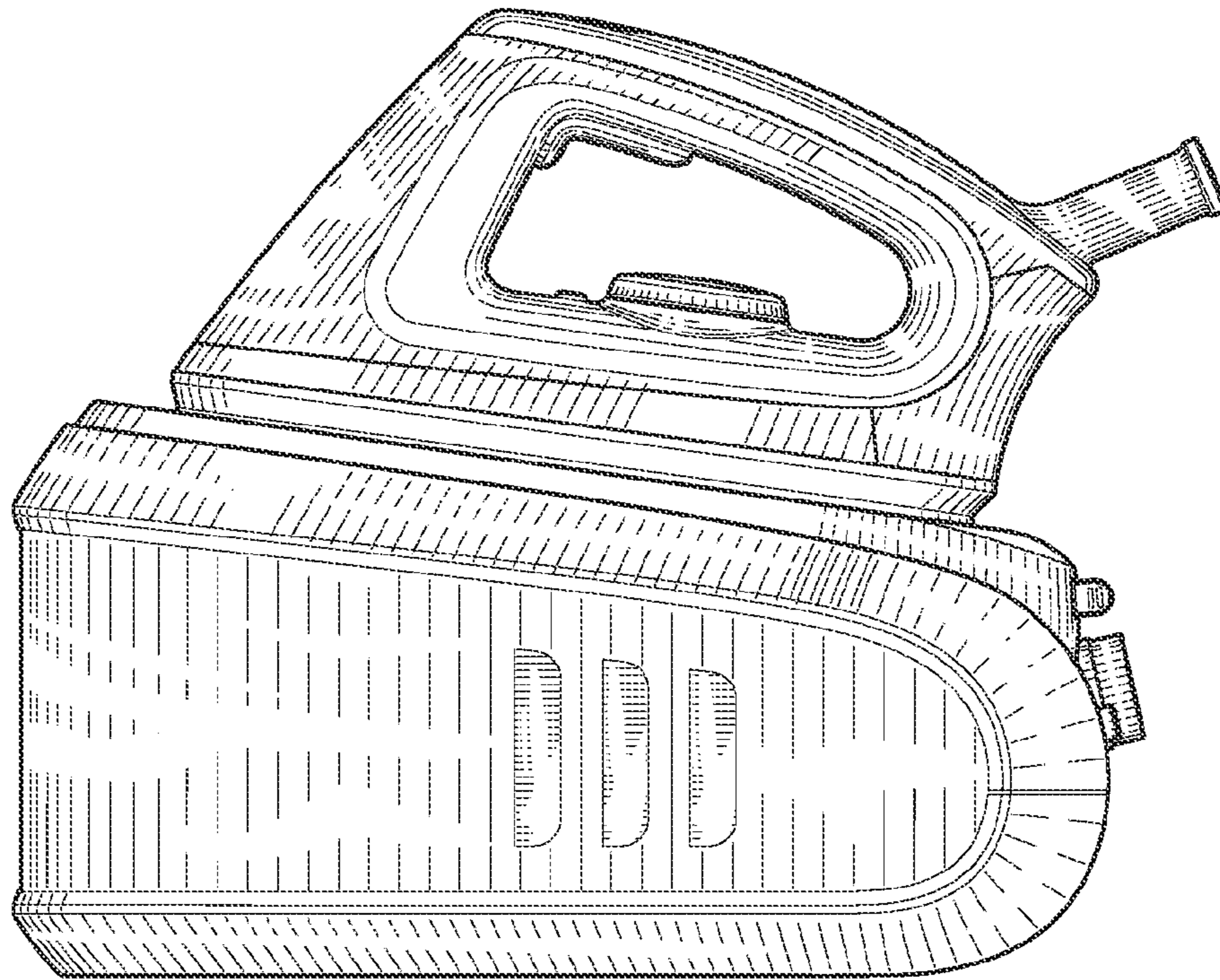


FIG. 5

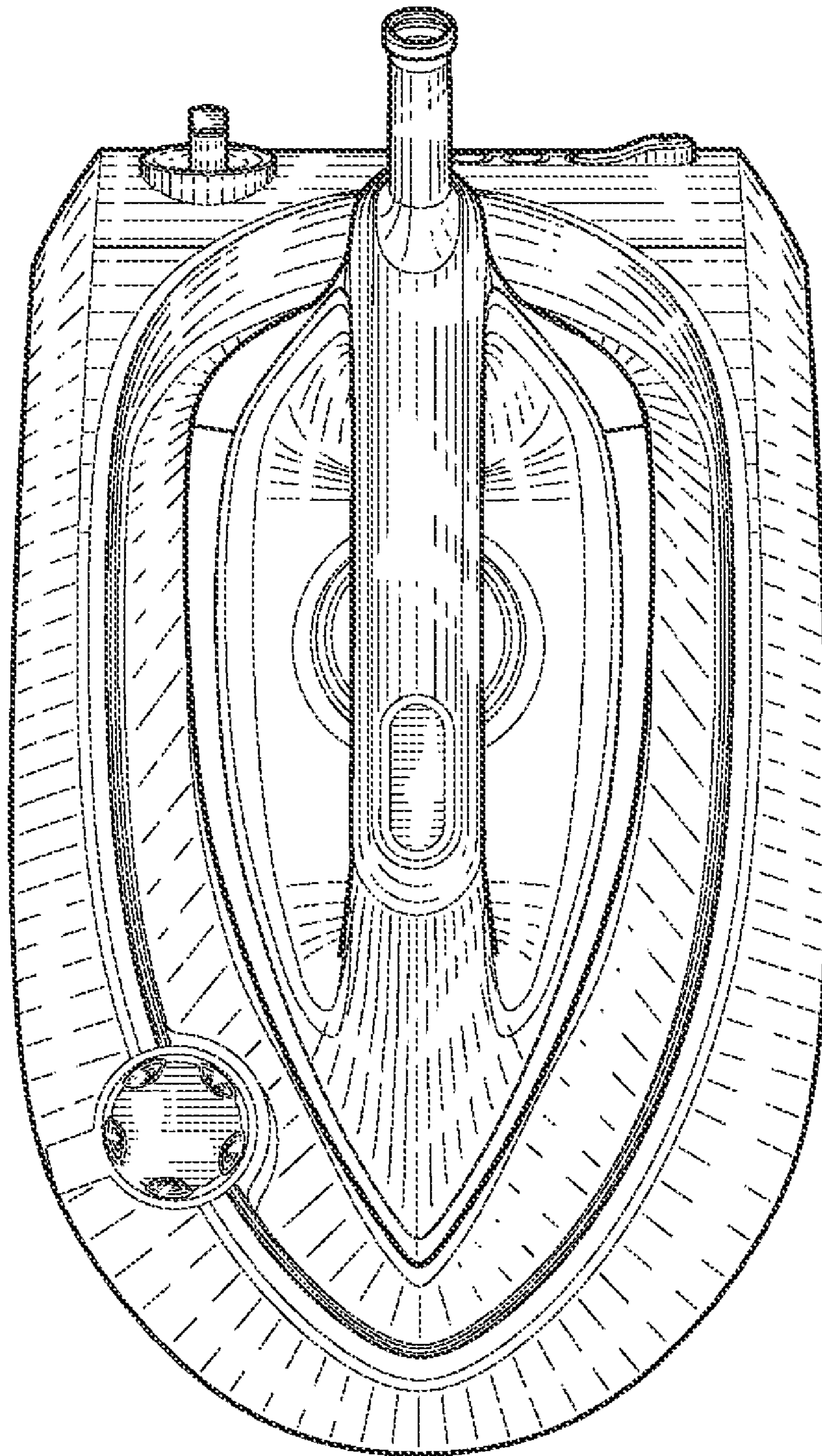


FIG. 6

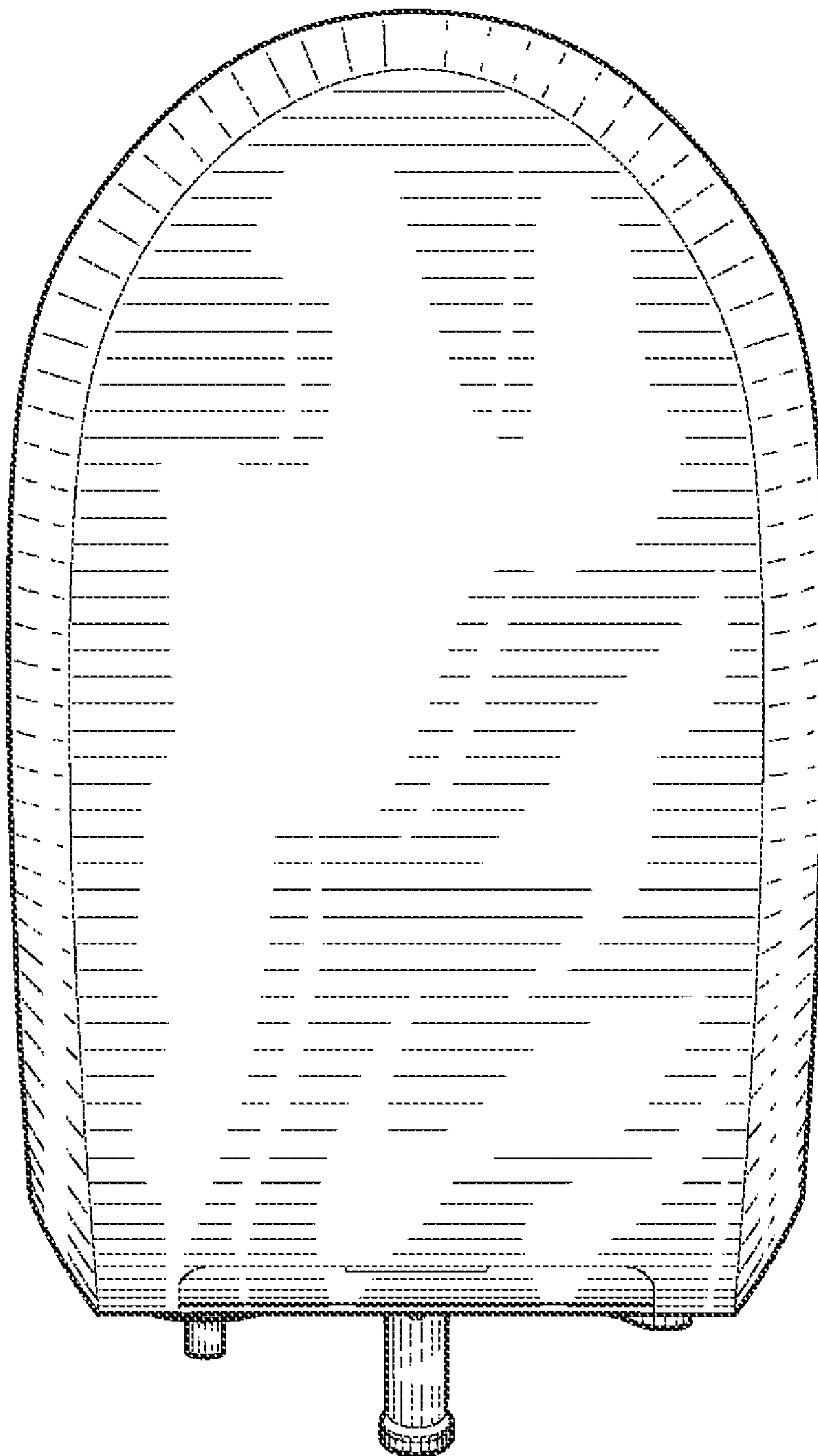


FIG. 7