



US00D581619S

(12) **United States Design Patent**
Yang et al.

(10) **Patent No.:** **US D581,619 S**

(45) **Date of Patent:** **** Nov. 25, 2008**

(54) **DISHRACK**

(75) Inventors: **Frank Yang**, Rancho Palos Verdes, CA (US); **Tzu-Hao Wei**, Hacienda Heights, CA (US); **Myk Wayne Lum**, Irvine, CA (US); **Adam C. Wade**, Rancho Santa Margarita, CA (US)

(73) Assignee: **Simplehuman LLC**, Torrance, CA (US)

(**) Term: **14 Years**

(21) Appl. No.: **29/293,402**

(22) Filed: **Nov. 20, 2007**

(51) **LOC (8) Cl.** **07-05**

(52) **U.S. Cl.** **D32/55**

(58) **Field of Classification Search** D32/55–56,
D32/58; 4/637, 656; 211/41.2–41.4, 41.8–41.9,
211/181.1, 126.8–126.9, 85.25, 86.01, 88.01;
220/485, 487–488, 494, 572; D6/462; D7/667
See application file for complete search history.

(56) **References Cited**

U.S. PATENT DOCUMENTS

| | | | | | | |
|-----------|---|---|---------|-----------------------|-------|---------|
| D188,864 | S | * | 9/1960 | Stansbury, Jr. et al. | | D32/55 |
| 3,027,041 | A | * | 3/1962 | Stansbury, Jr. et al. | | 220/572 |
| 5,385,261 | A | * | 1/1995 | Lippisch et al. | | 220/572 |
| D374,526 | S | * | 10/1996 | Breen et al. | | D32/55 |
| D397,534 | S | * | 8/1998 | Alvarez | | D32/55 |
| D407,879 | S | * | 4/1999 | Gunawan | | D32/55 |
| D408,603 | S | * | 4/1999 | Haley | | D32/55 |
| D412,607 | S | * | 8/1999 | Goodin et al. | | D32/3 |
| D413,700 | S | * | 9/1999 | Wang | | D32/55 |

| | | | | | | |
|----------|---|---|--------|---------|-------|--------|
| D492,457 | S | * | 6/2004 | Soroka | | D32/55 |
| D534,701 | S | * | 1/2007 | Schmidt | | D32/55 |

* cited by examiner

Primary Examiner—Pamela J Burgess

(74) *Attorney, Agent, or Firm*—Liu & Liu

(57) **CLAIM**

The ornamental design for the dishrack, as shown and described.

DESCRIPTION

FIG. 1 is a right perspective view of a dishrack showing our new design;

FIG. 2 is a front view thereof;

FIG. 3 is a rear view thereof;

FIG. 4 is a right side view thereof;

FIG. 5 is left side view thereof;

FIG. 6 is a top plan view thereof; and

FIG. 7 is a bottom plan view thereof.

FIG. 8 is a right side perspective view of a second embodiment of a dishrack showing our new design;

FIG. 9 is a front view thereof;

FIG. 10 is a rear view thereof;

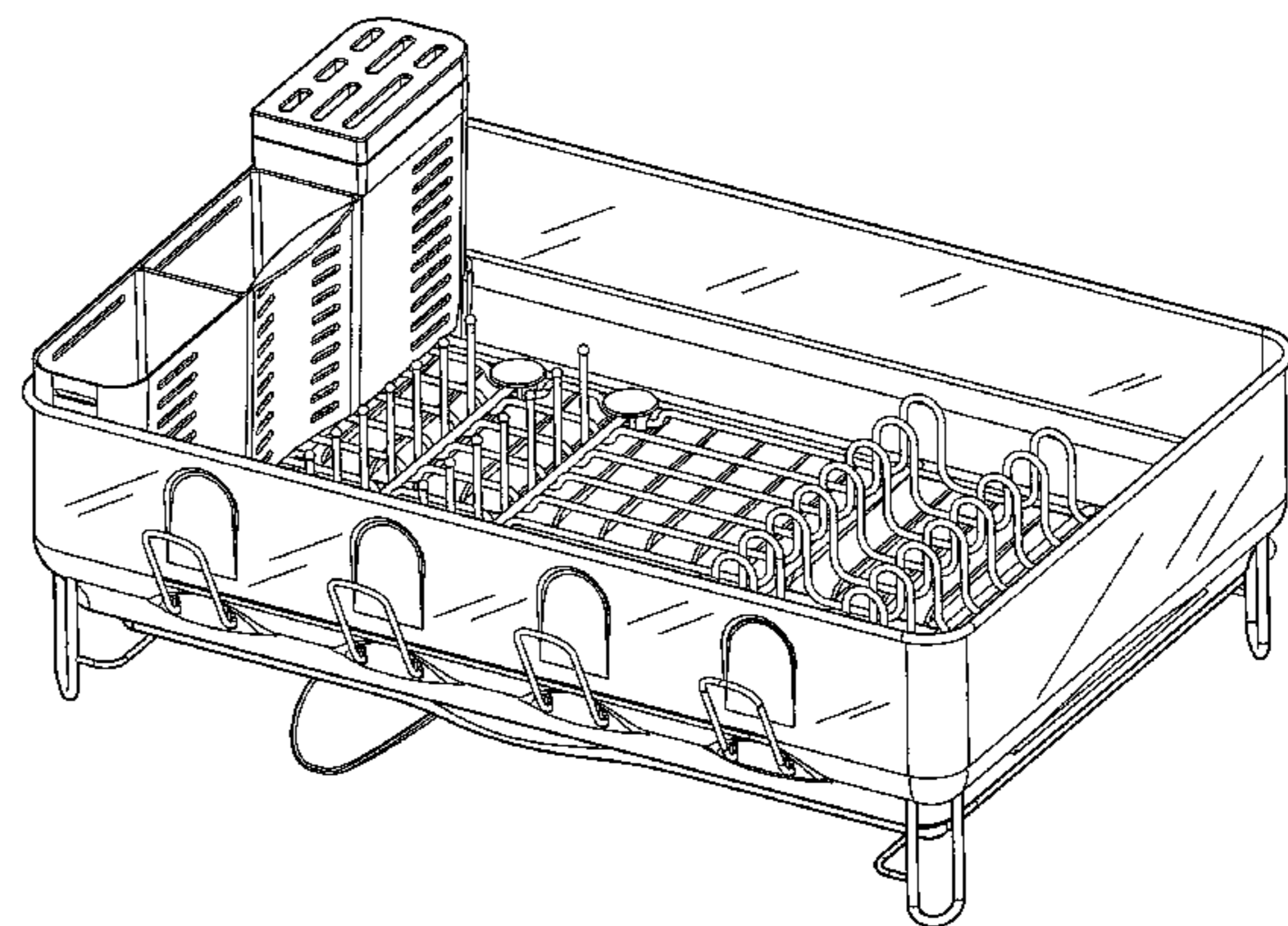
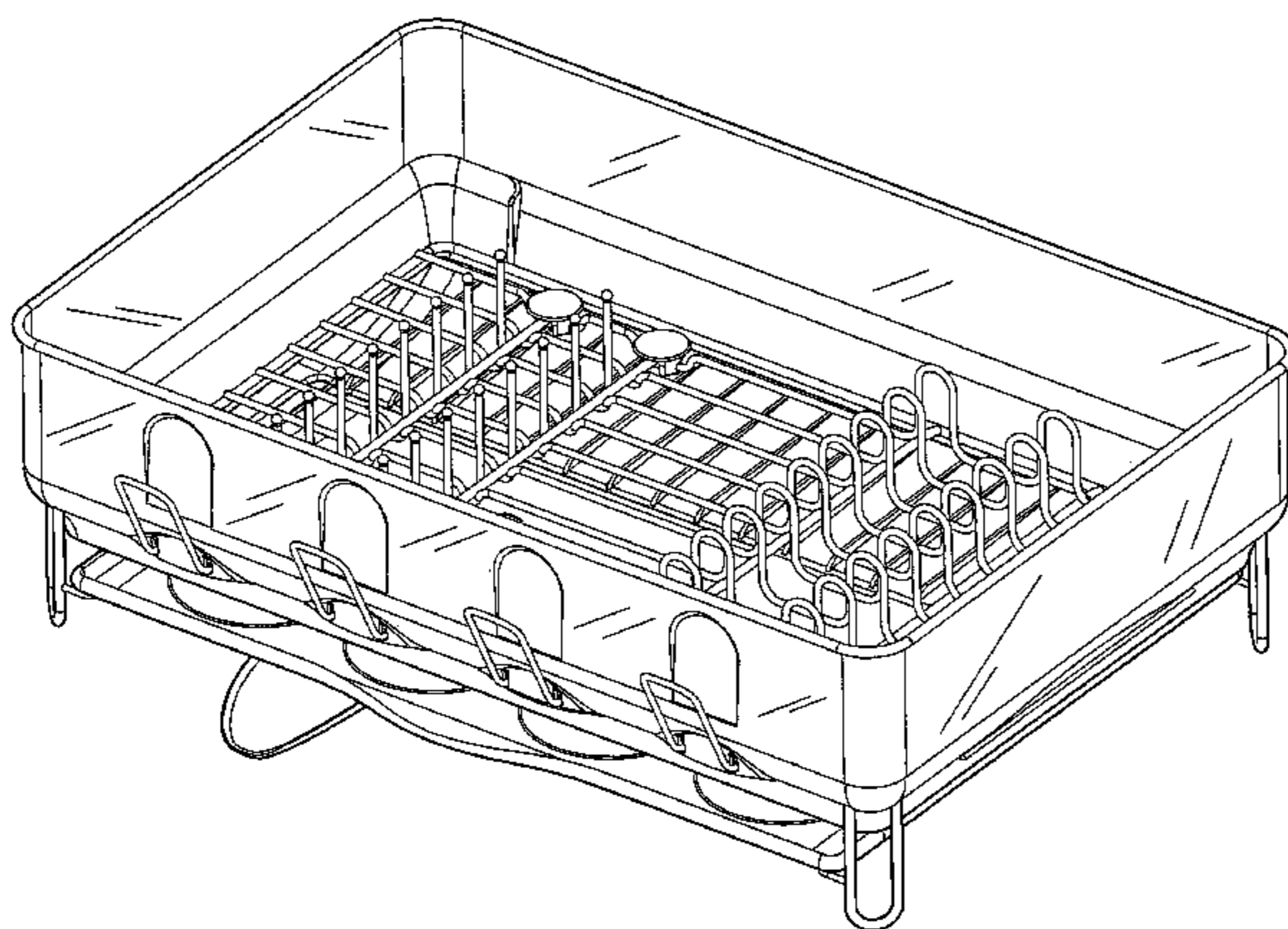
FIG. 11 is a right side view thereof;

FIG. 12 is a left side view thereof;

FIG. 13 is a top plan view thereof; and,

FIG. 14 is a bottom plan view thereof.

1 Claim, 14 Drawing Sheets



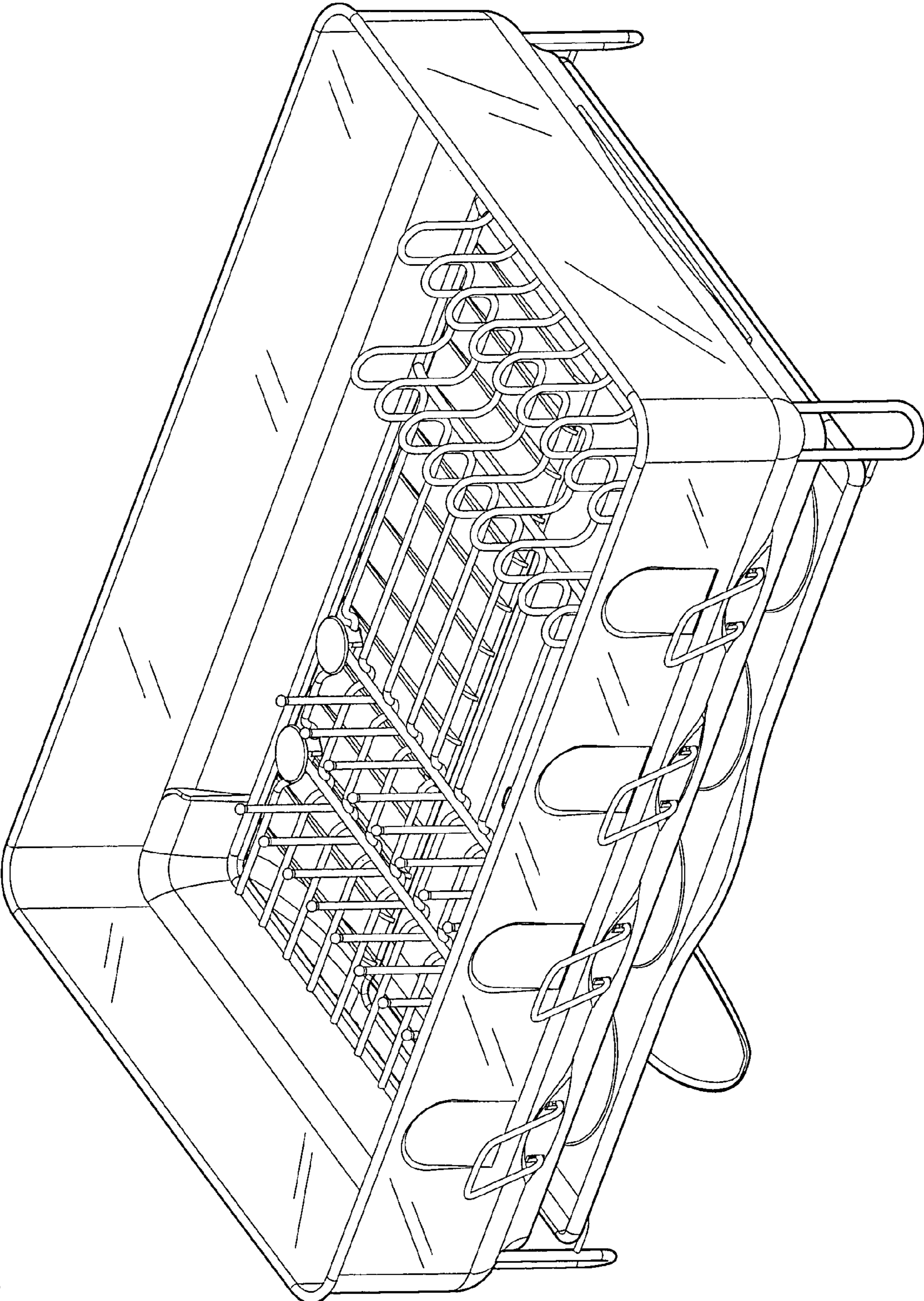


FIG. 1

FIG. 2

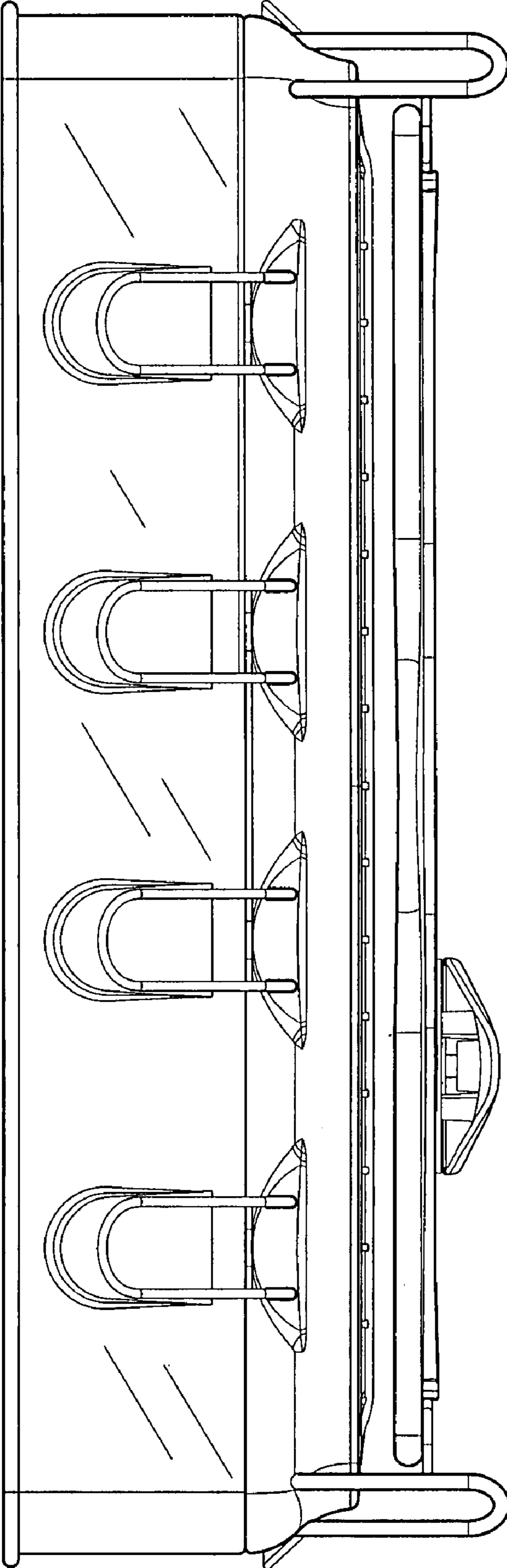
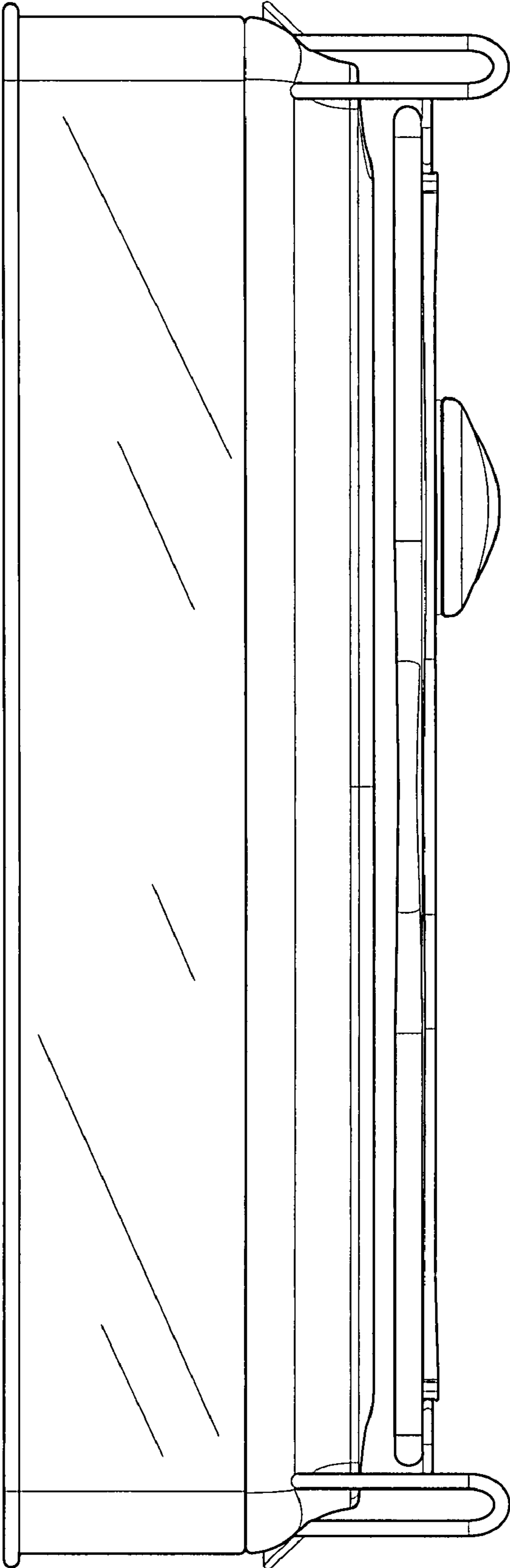


FIG. 3



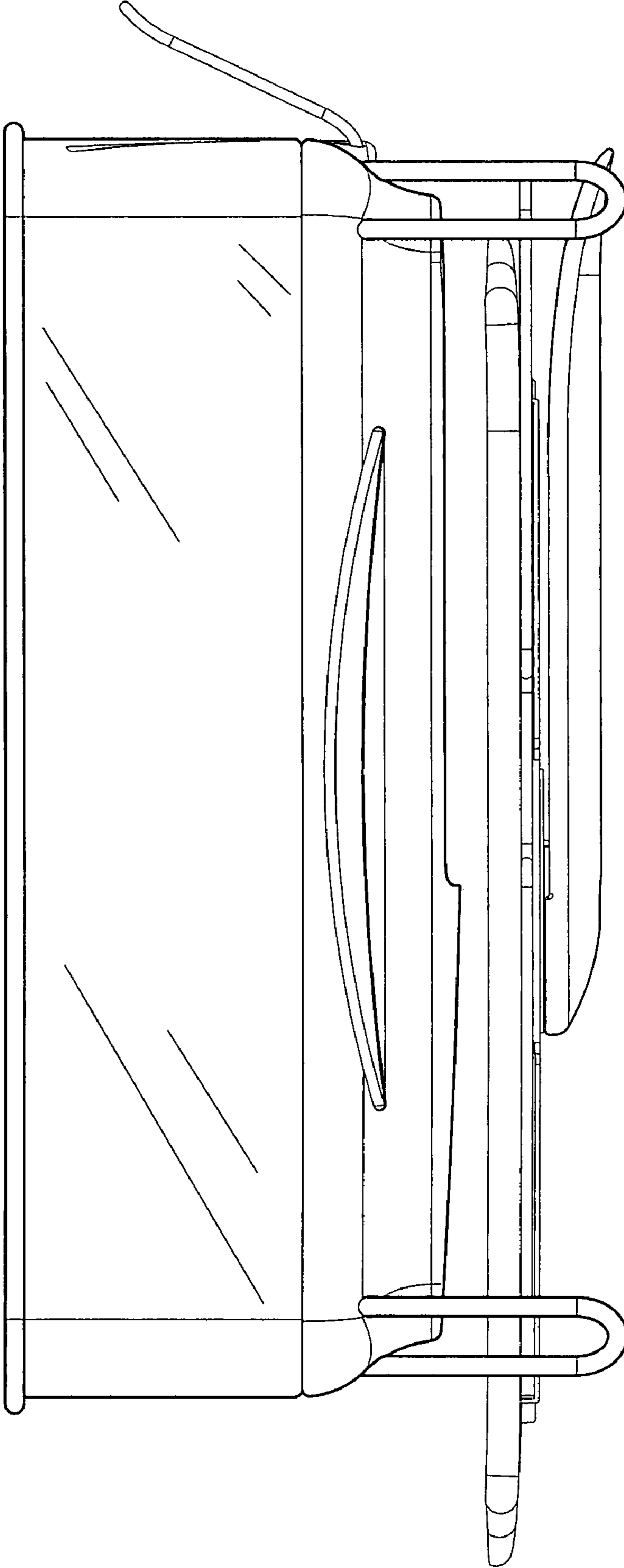
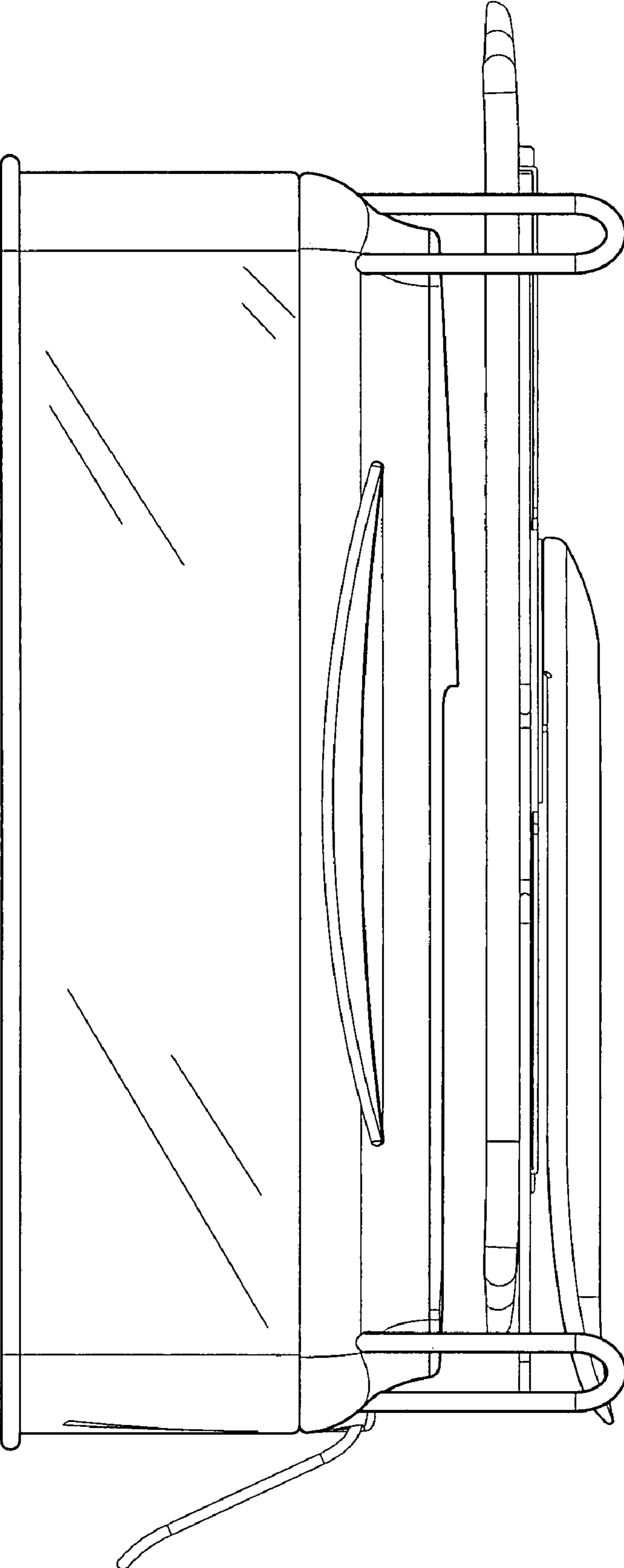


FIG. 4

FIG. 5



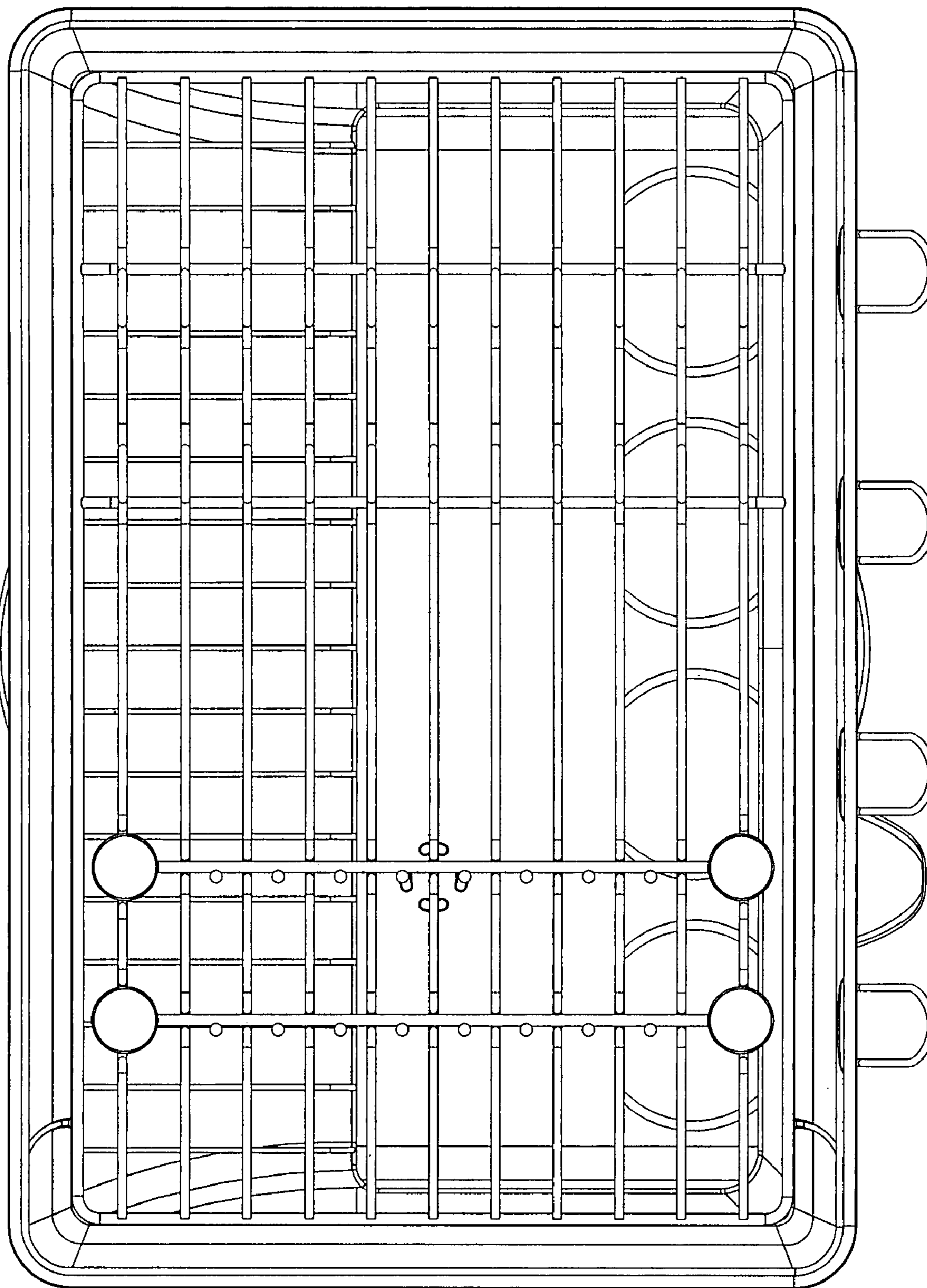


FIG. 6

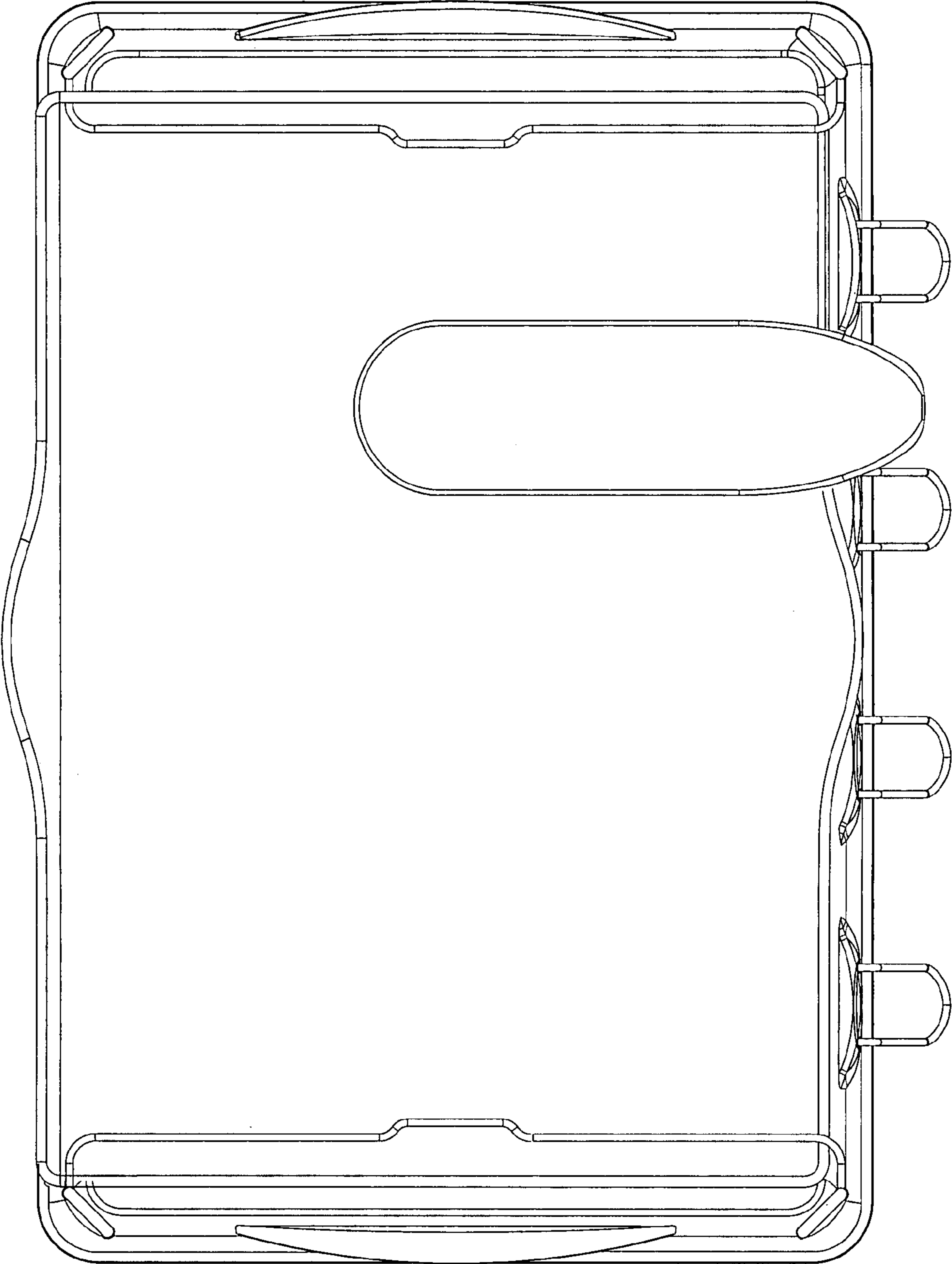


FIG. 7

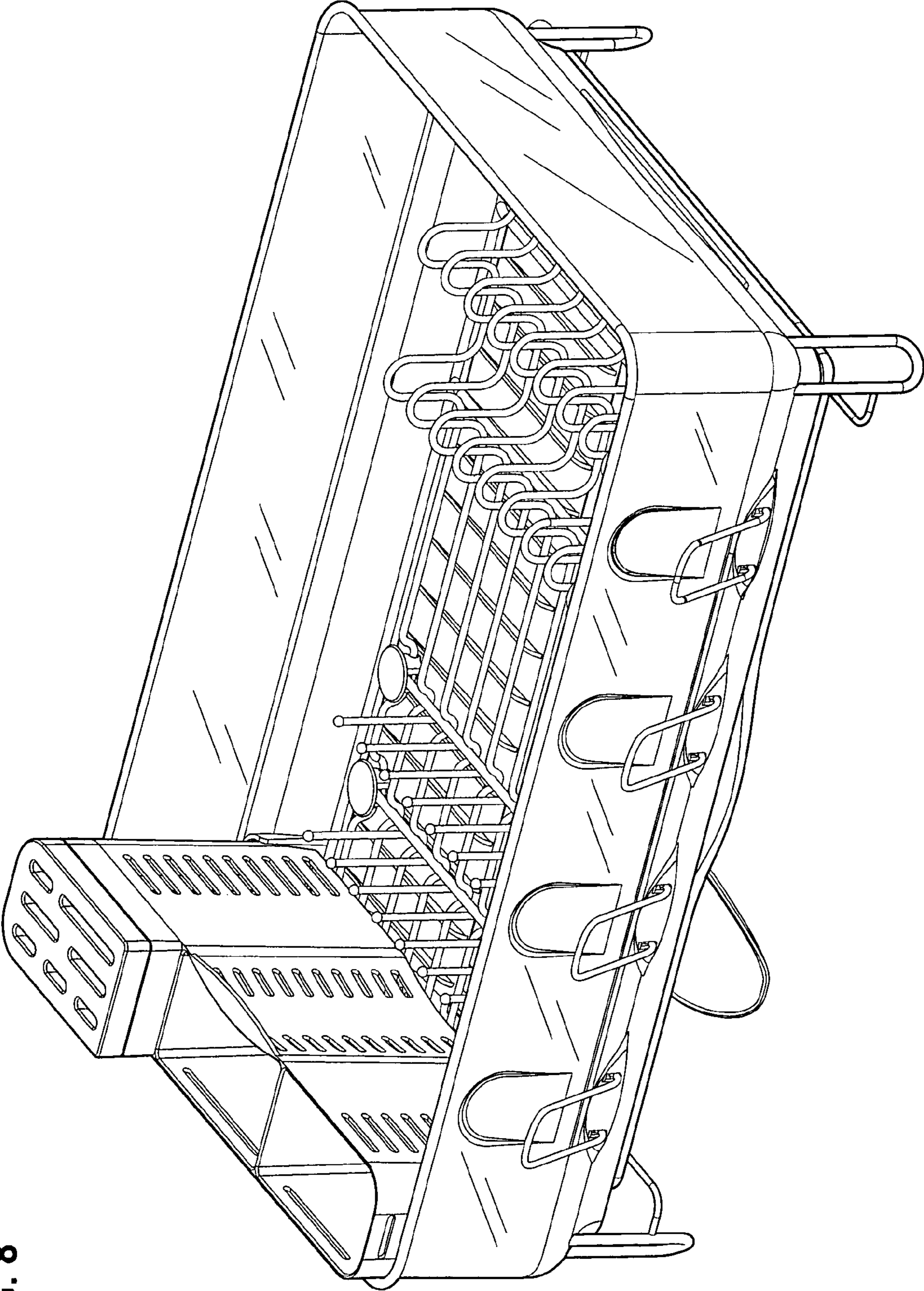


FIG. 8

FIG. 9

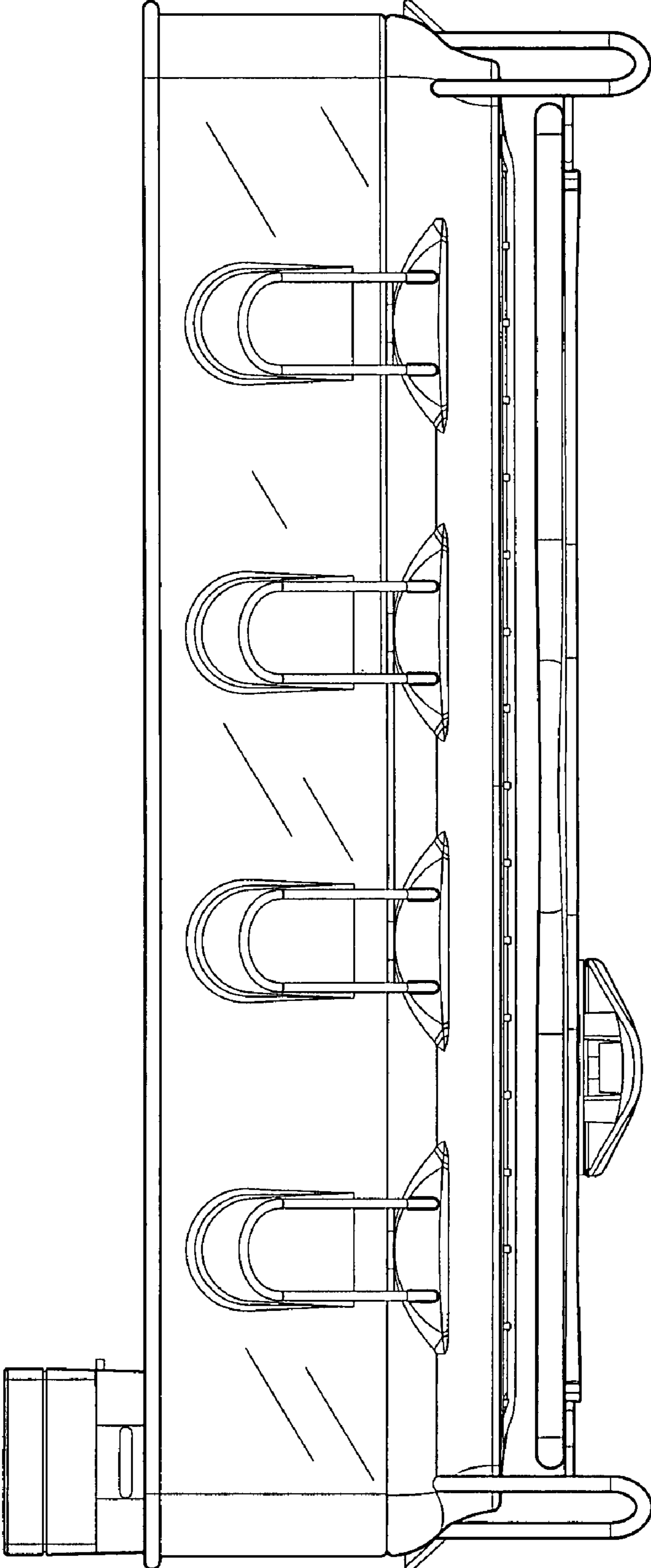
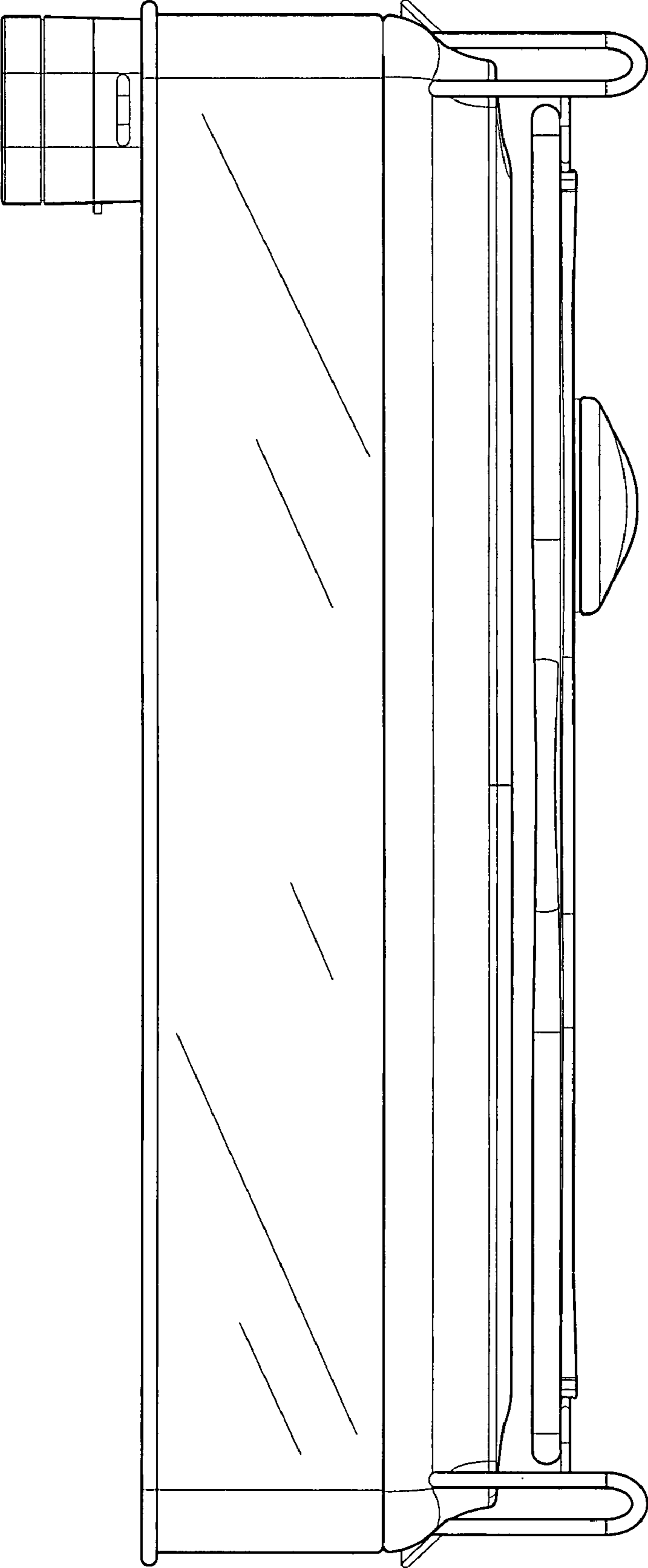


FIG. 10



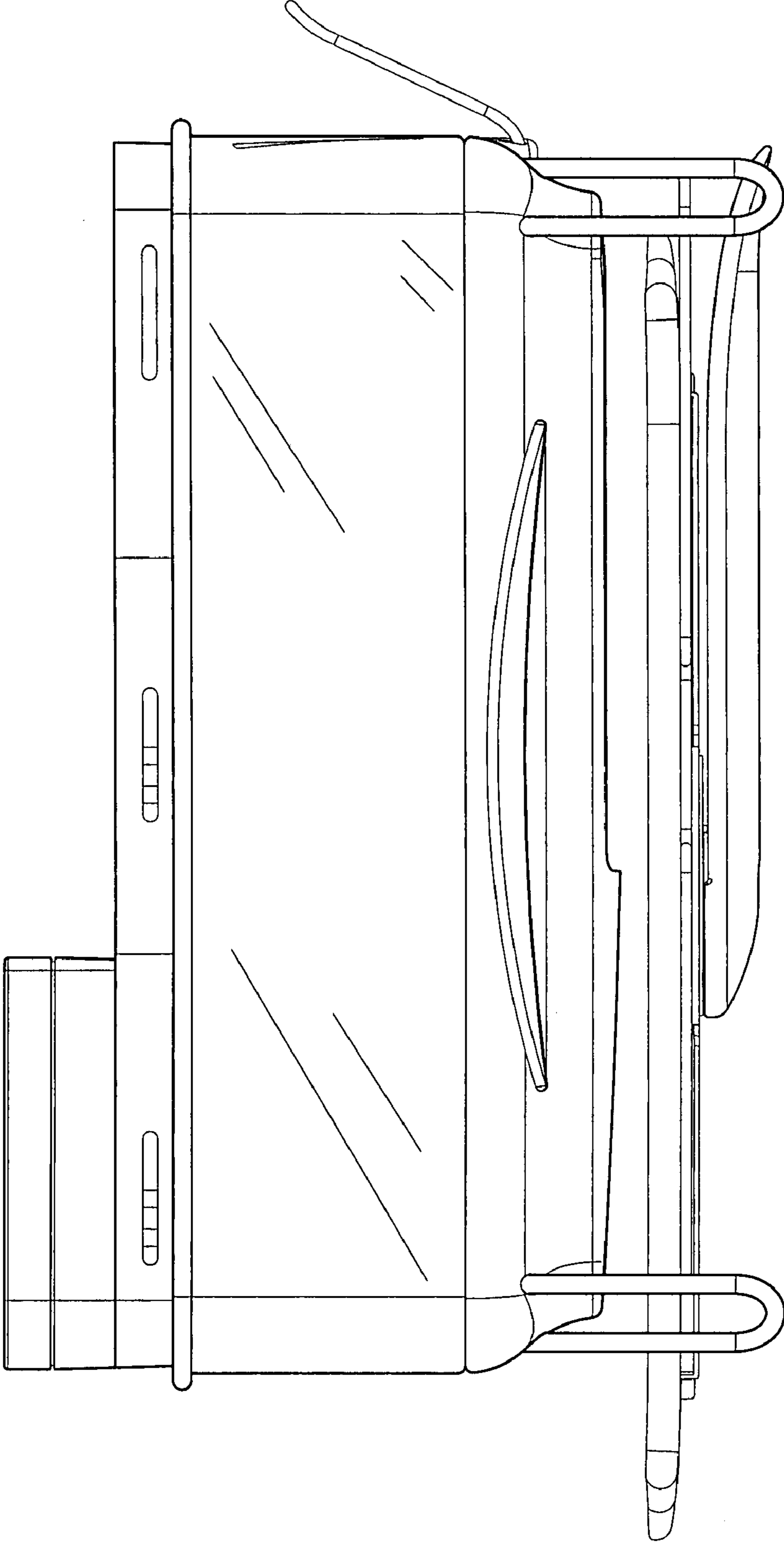


FIG. 11

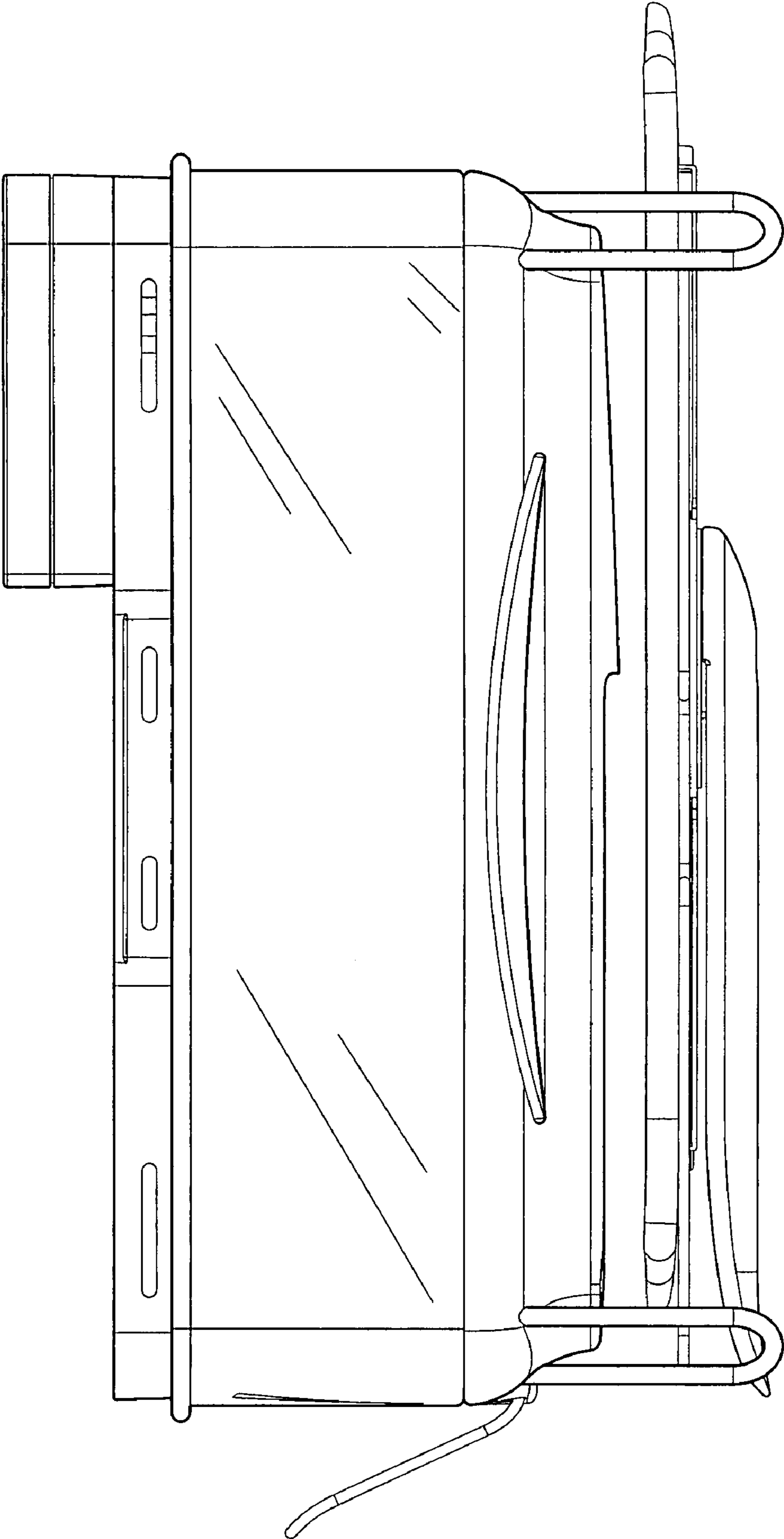


FIG. 12

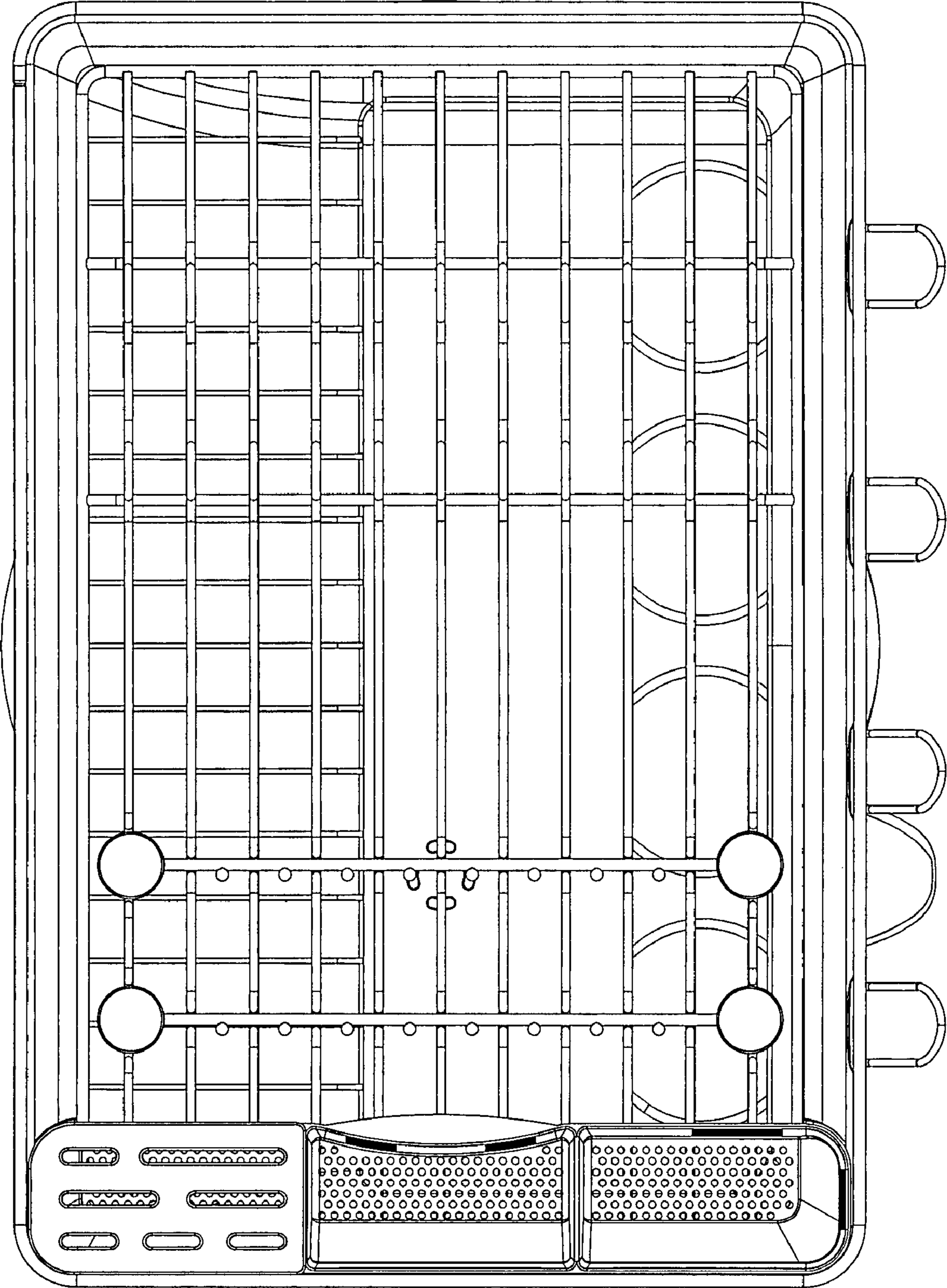


FIG. 13

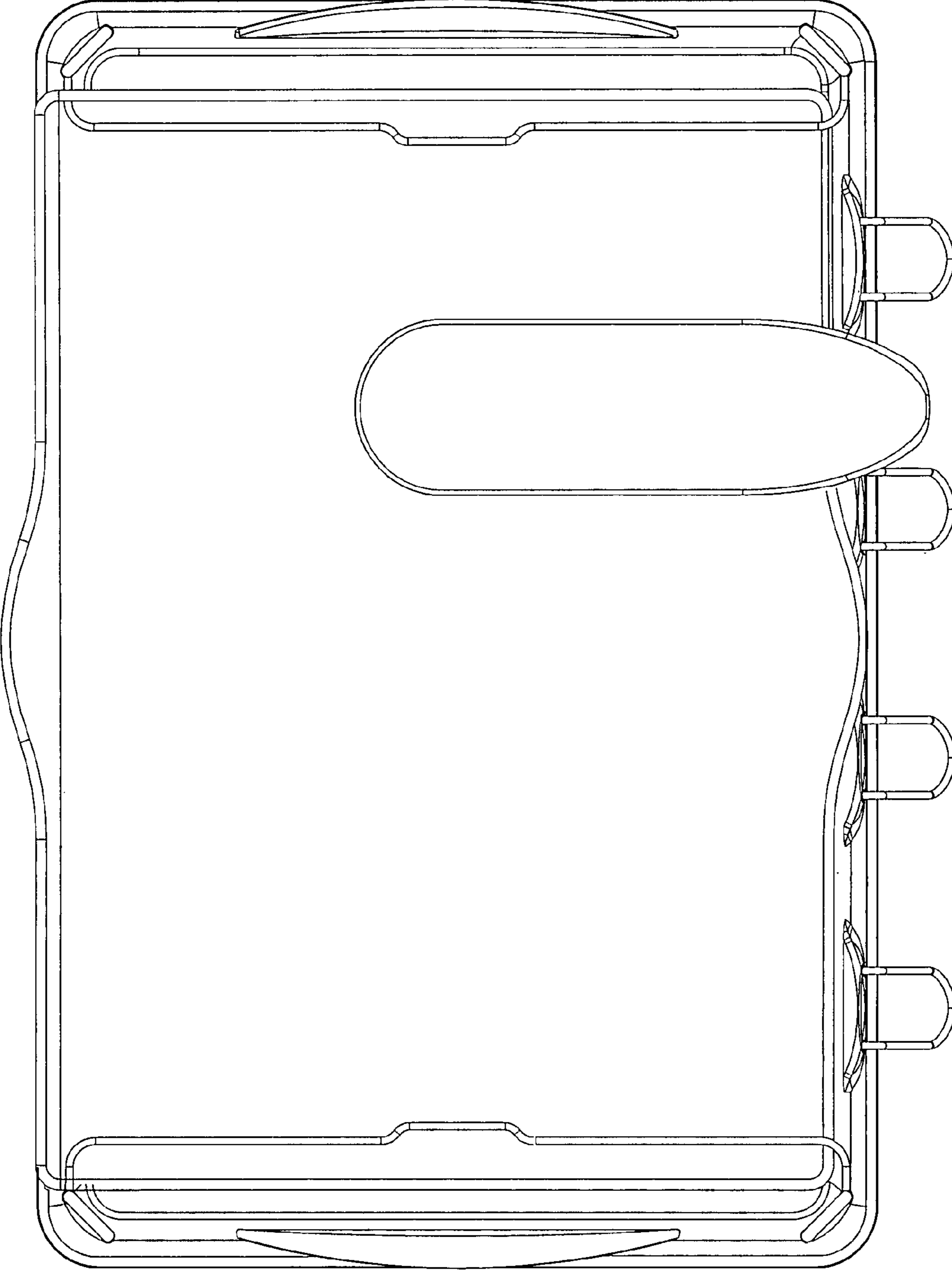


FIG. 14