



US00D581617S

(12) **United States Design Patent**  
**Presnell**

(10) **Patent No.:** **US D581,617 S**

(45) **Date of Patent:** **\*\* Nov. 25, 2008**

(54) **SWEEPER**

(75) Inventor: **Donald C. Presnell**, Stephens City, VA  
(US)

(73) Assignee: **Rubbermaid Commercial Products  
LLC**, Winchester, VA (US)

(\*\*) Term: **14 Years**

(21) Appl. No.: **29/306,817**

(22) Filed: **Apr. 16, 2008**

(51) **LOC (8) Cl.** ..... **15-05**

(52) **U.S. Cl.** ..... **D32/38**

(58) **Field of Classification Search** ..... D32/21,  
D32/22, 31-33, 38-39; 15/41.1, 42-46,  
15/48, 48.1, 79.1, 49.1, 50.3, 415.1; 16/DIG. 41  
See application file for complete search history.

(56) **References Cited**

U.S. PATENT DOCUMENTS

2,316,709	A *	4/1943	Owen	.....	15/47
3,628,211	A *	12/1971	Fukuba	.....	15/42
D236,423	S *	8/1975	Mantelet	.....	D32/38
4,168,561	A *	9/1979	Rosendall	.....	15/42
D256,878	S *	9/1980	Kubota et al.	.....	D32/38
D293,142	S *	12/1987	Kubota	.....	D32/38
D312,154	S *	11/1990	Kuroda	.....	D32/38
D349,793	S *	8/1994	Zahuranec et al.	.....	D32/38
D501,282	S *	1/2005	Robertson et al.	.....	D32/38
D501,588	S *	2/2005	Harper et al.	.....	D32/38

\* cited by examiner

*Primary Examiner*—Pamela J Burgess

(74) *Attorney, Agent, or Firm*—Foley & Lardner LLP

(57) **CLAIM**

I claim the ornamental design for a sweeper, as shown and described.

**DESCRIPTION**

FIG. 1 is a top rear perspective view of a first embodiment of a sweeper according to my new design;

FIG. 2 is a front view of the sweeper shown in FIG. 1;

FIG. 3 is a rear side view of the sweeper shown in FIG. 1;

FIG. 4 is a left side view of the sweeper shown in FIG. 1;

FIG. 5 is a right side view of the sweeper shown in FIG. 1;

FIG. 6 is a top view of the sweeper shown in FIG. 1;

FIG. 7 is a bottom view of the sweeper shown in FIG. 1;

FIG. 8 is a top rear perspective view of a second embodiment of a sweeper according to my new design;

FIG. 9 is a front view of the sweeper shown in FIG. 8;

FIG. 10 is a rear view of the sweeper shown in FIG. 8;

FIG. 11 is a left side view of the sweeper shown in FIG. 8;

FIG. 12 is a right side view of the sweeper shown in FIG. 8;

FIG. 13 is a top view of the sweeper shown in FIG. 8; and,

FIG. 14 is a bottom view of the sweeper shown in FIG. 8.

The ornamental design which is claimed is shown in solid lines in the drawings. The broken lines in the drawings are for illustrative purposes only and form no part of the claimed design.

**1 Claim, 10 Drawing Sheets**

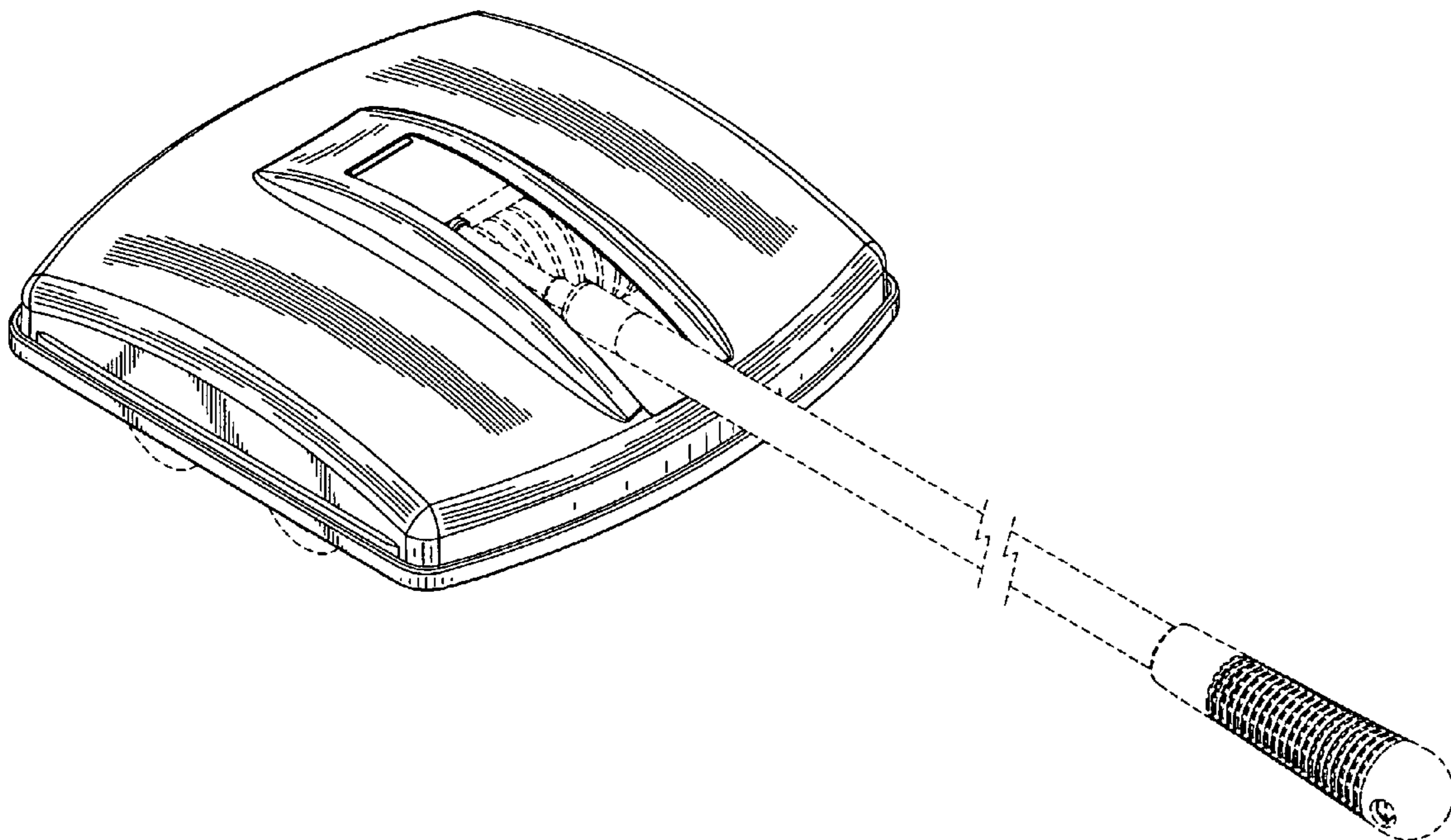


Fig. 1

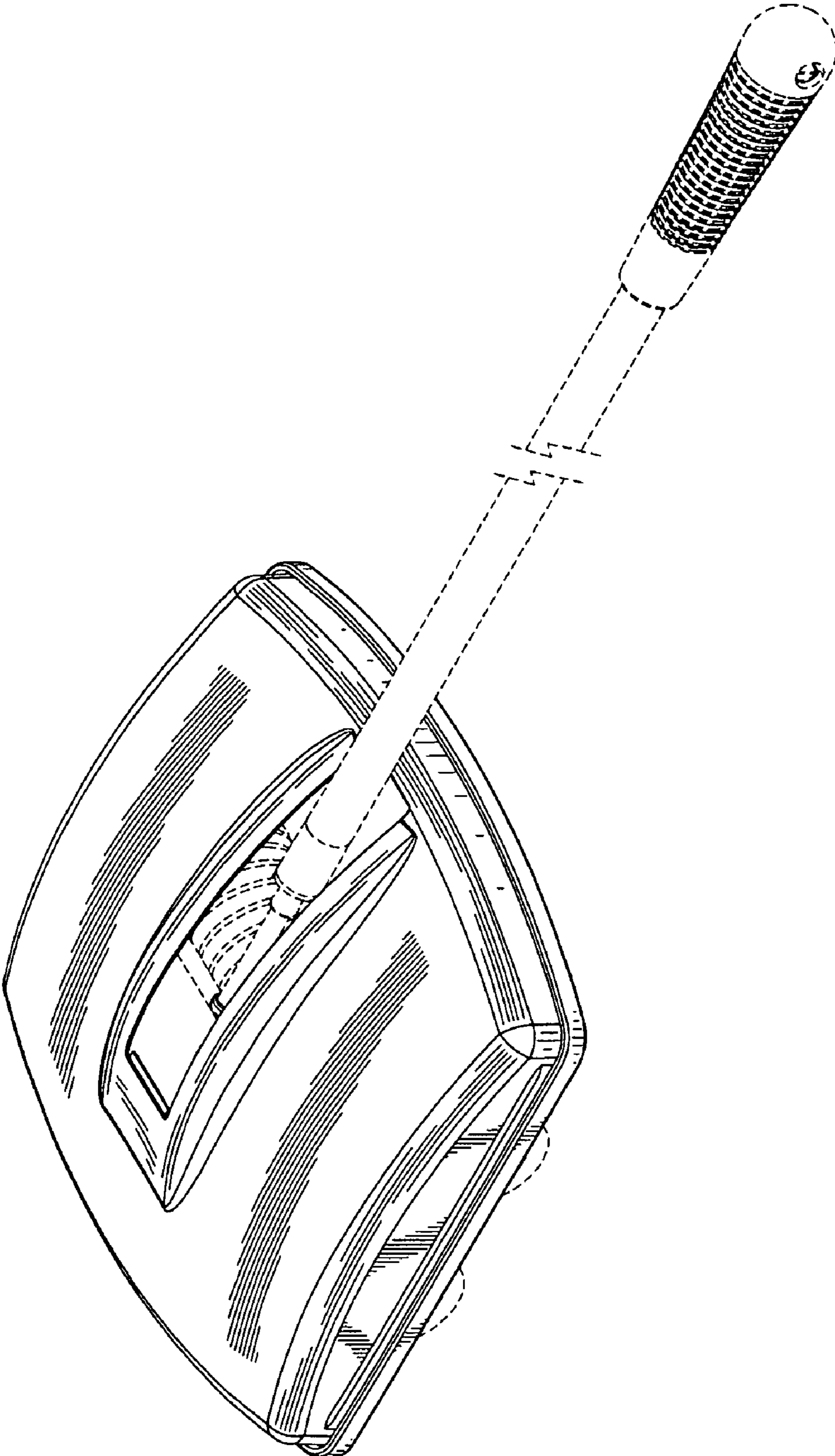


Fig. 2

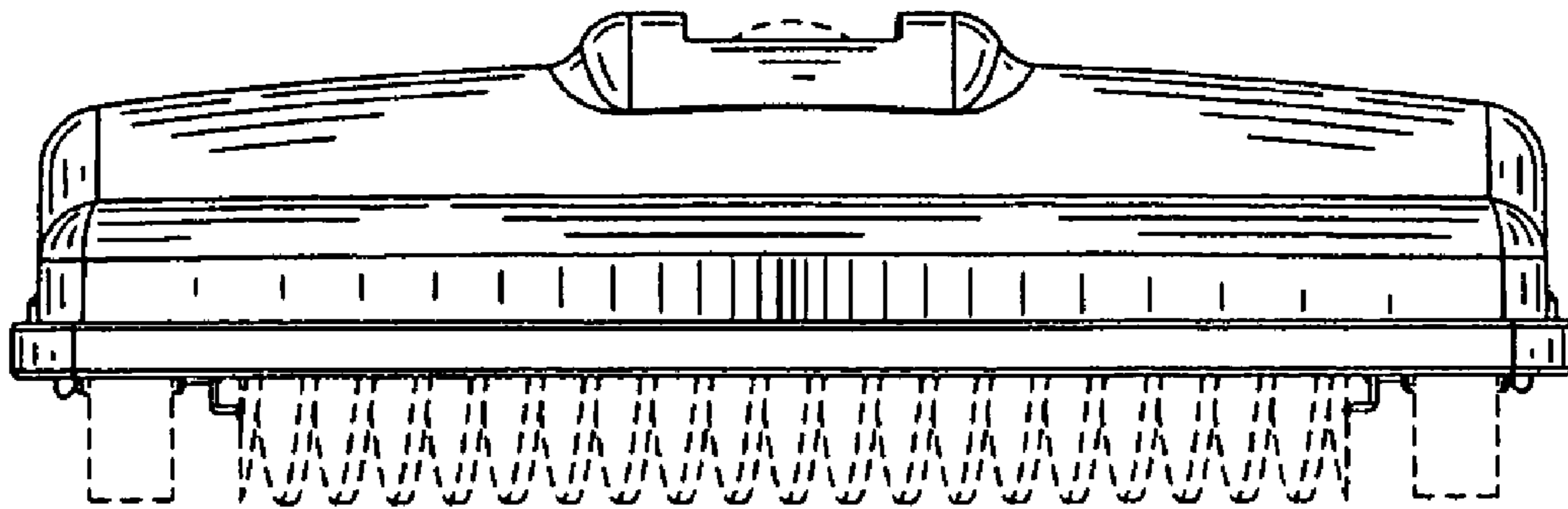


Fig. 3

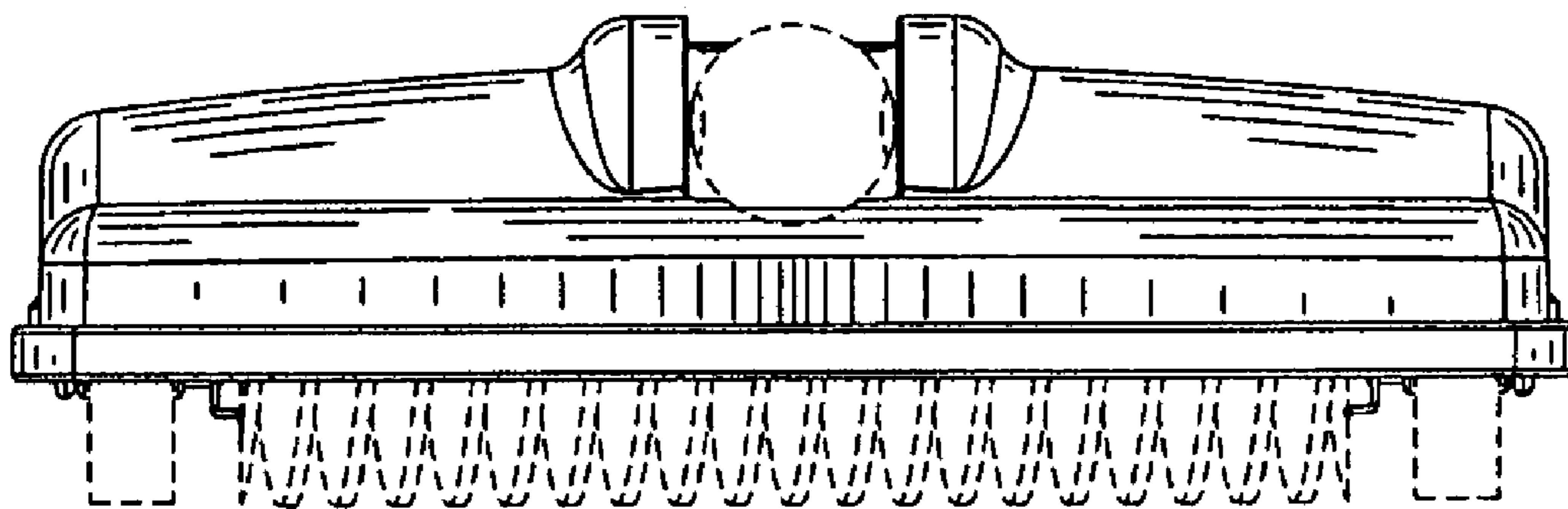


Fig. 4

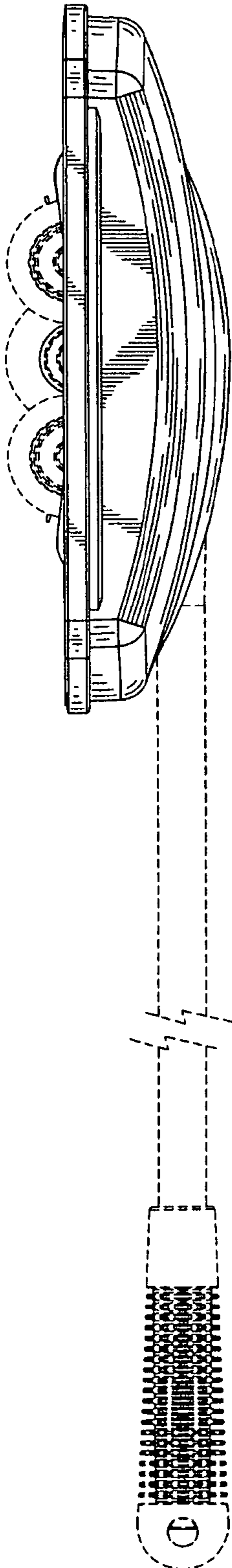


Fig. 5

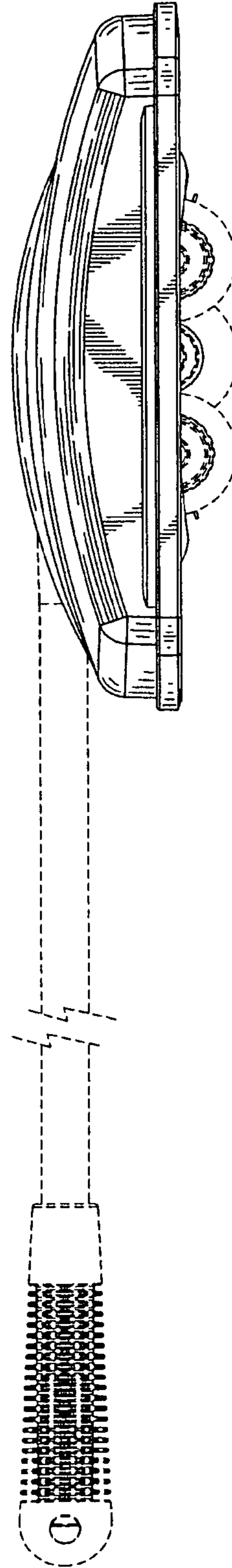


Fig. 6

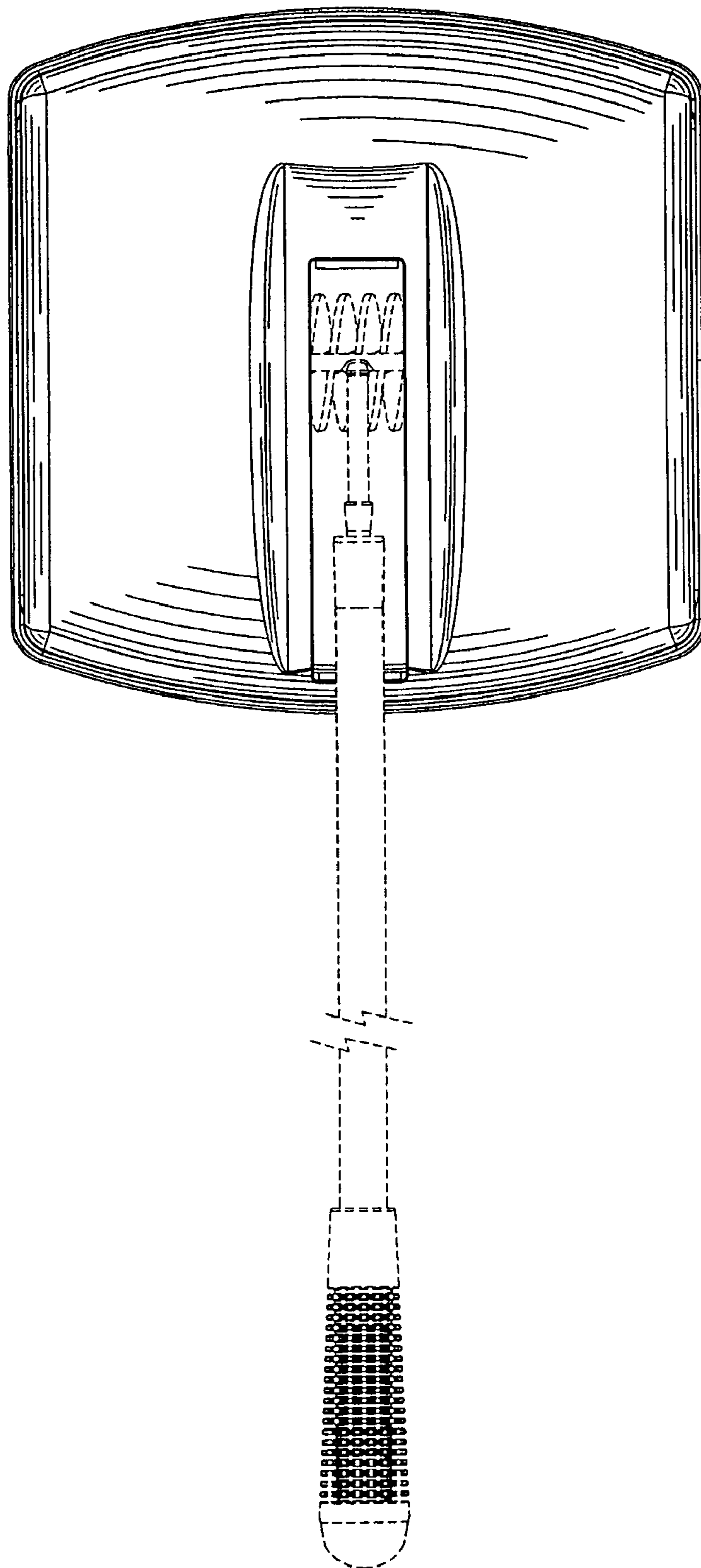


Fig. 7

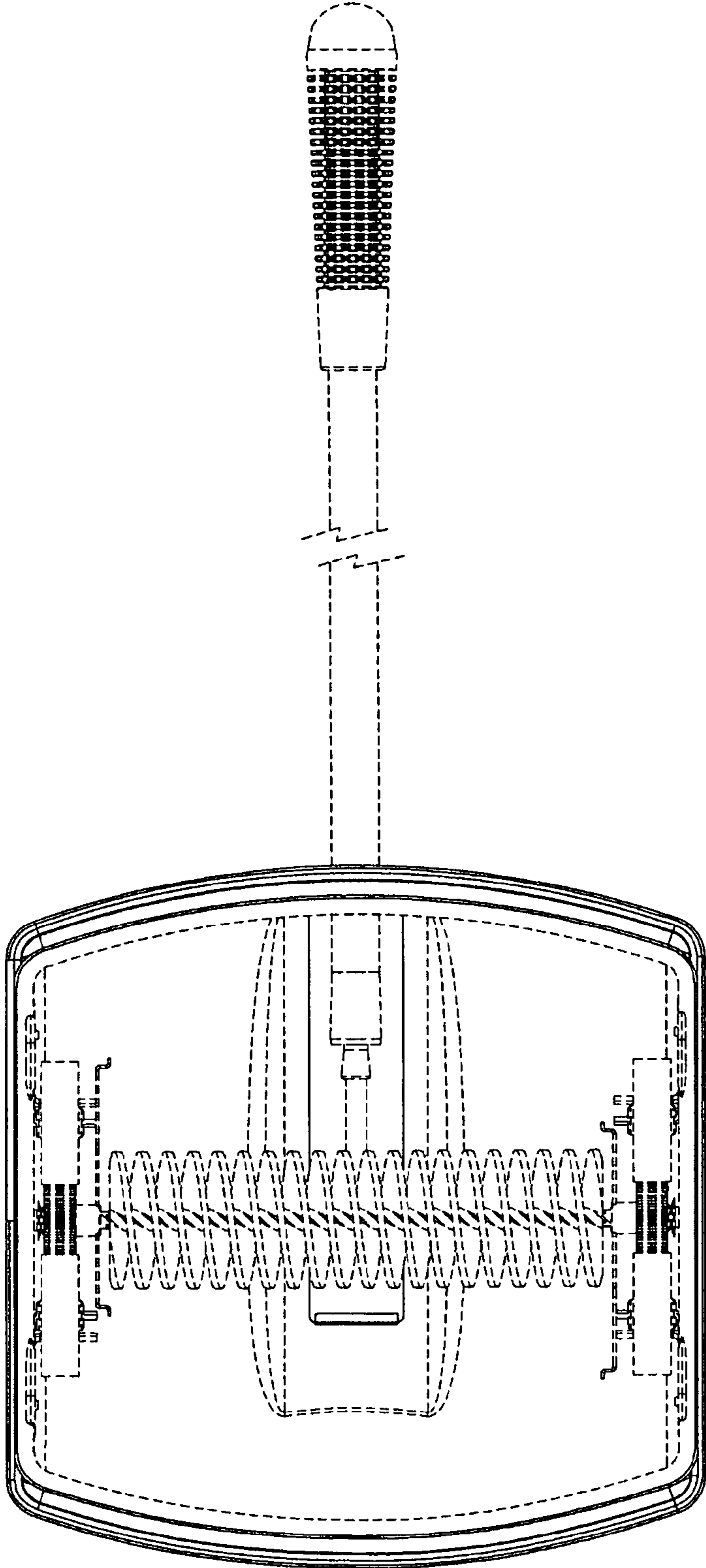


Fig. 8

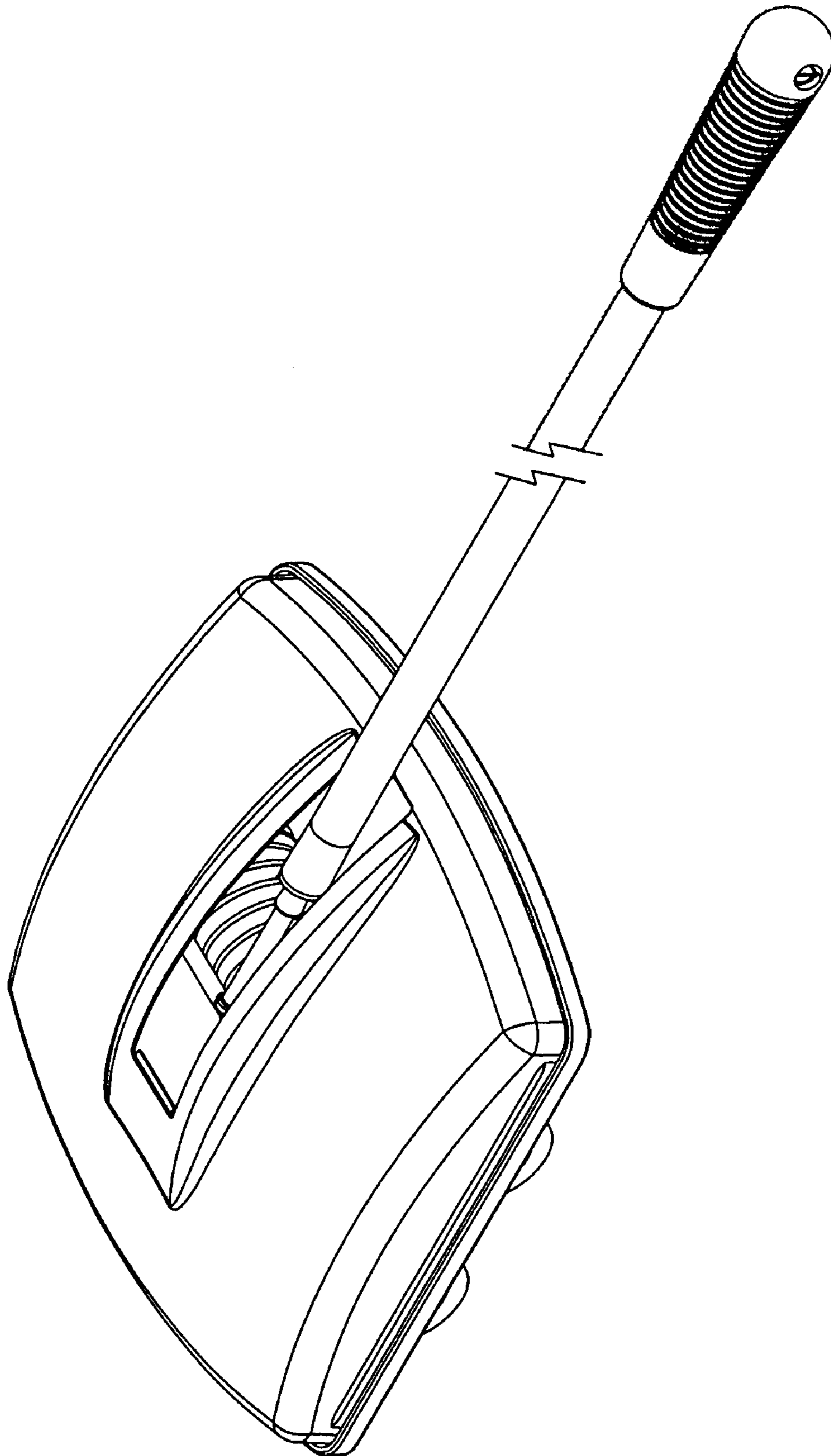


Fig. 9

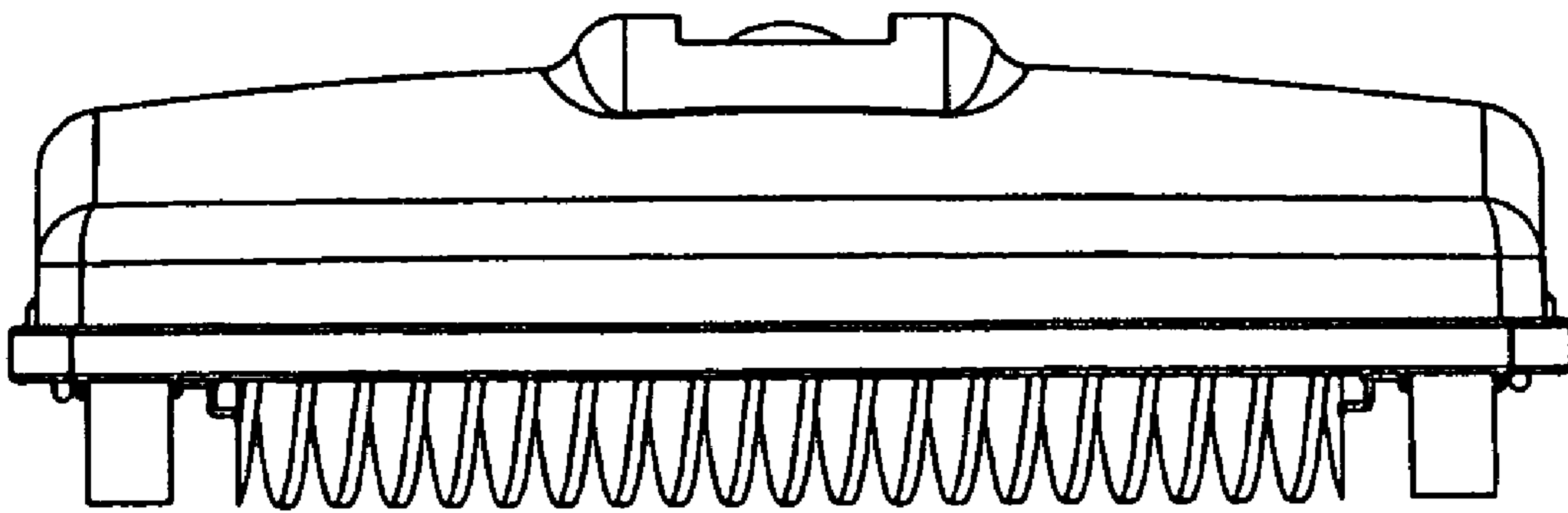


Fig. 10

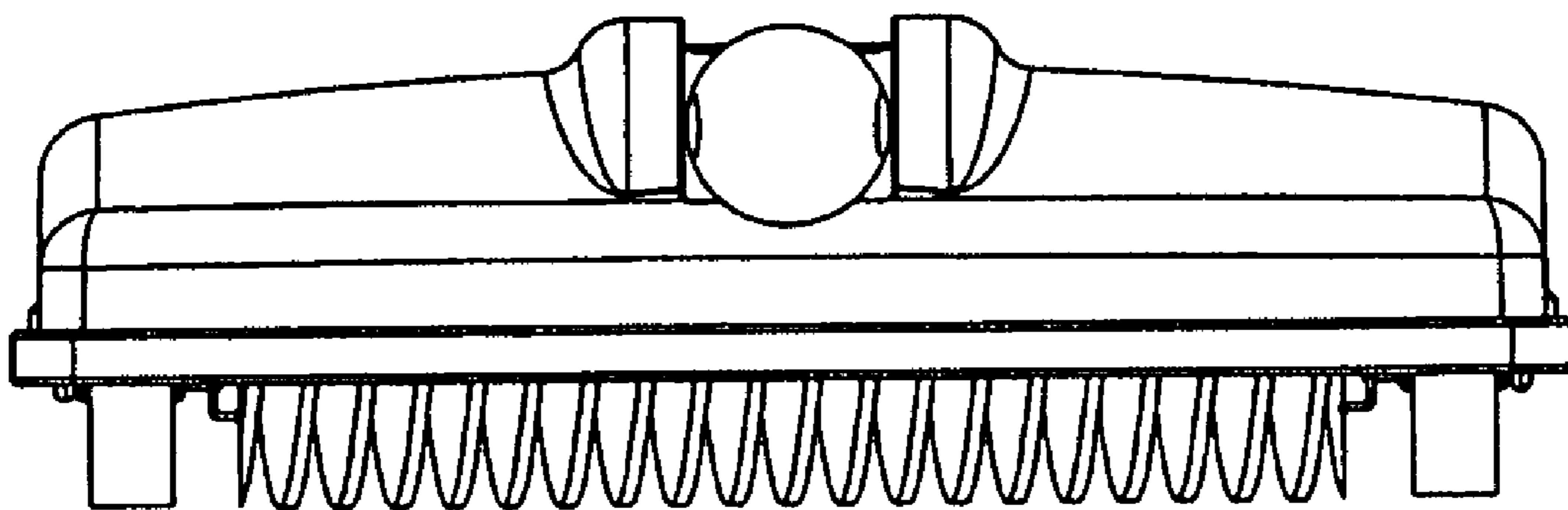




Fig. 11

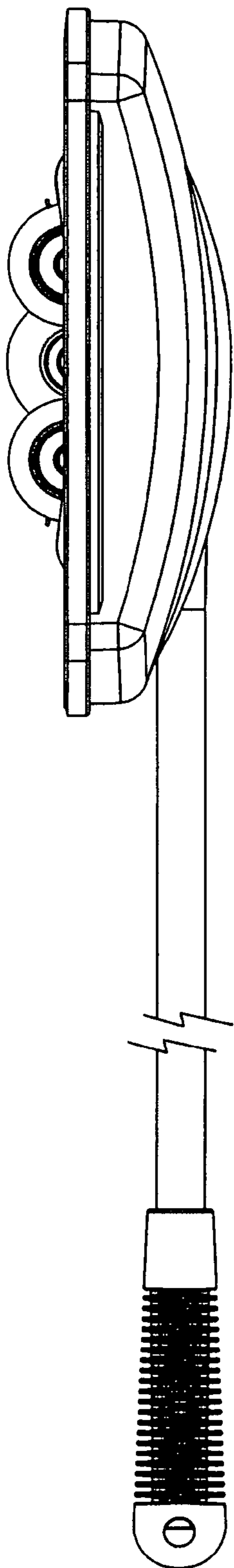


Fig. 12

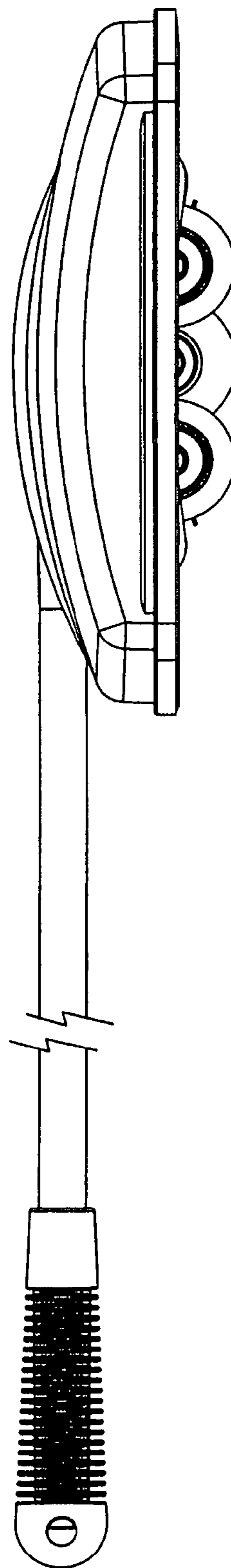


Fig. 13

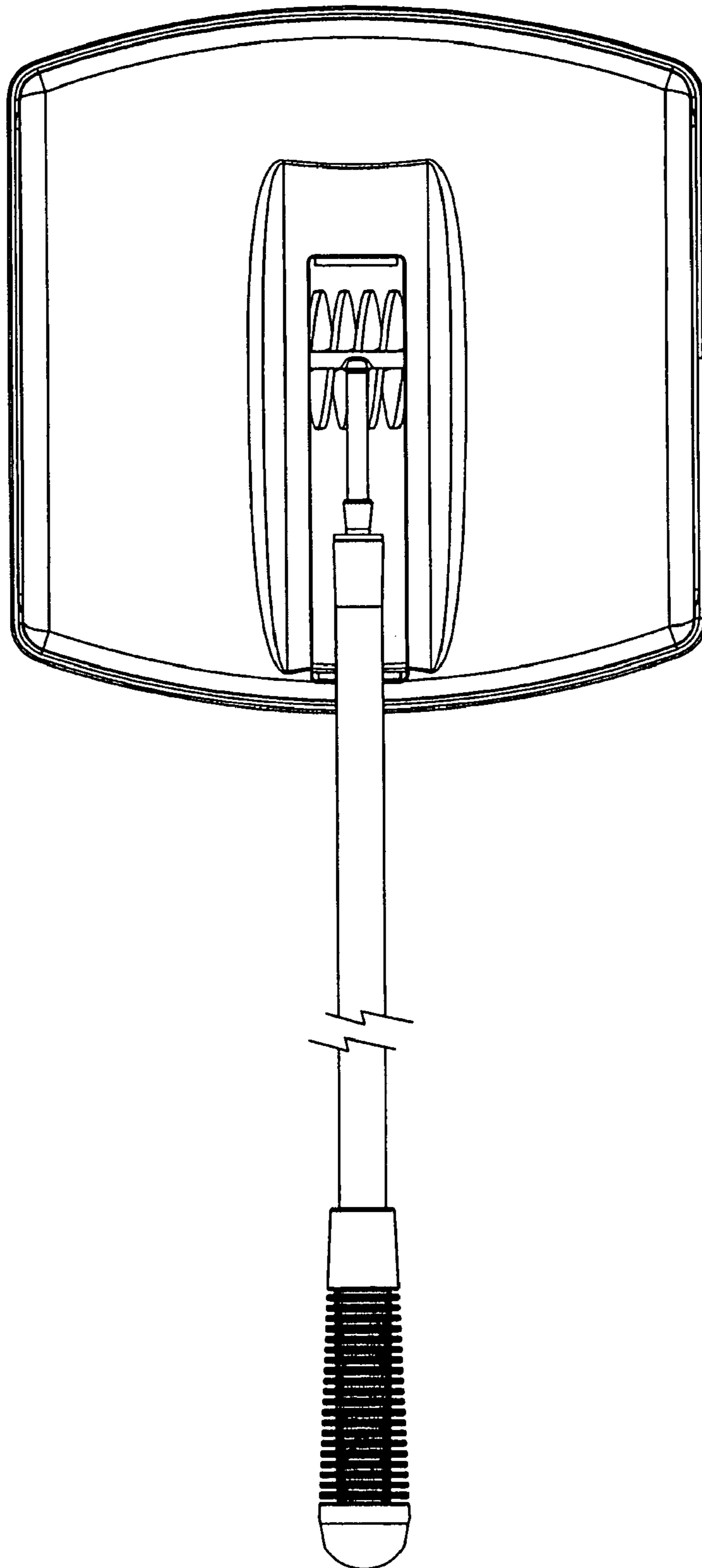


Fig. 14

