



US00D581616S

(12) **United States Design Patent**
Presnell

(10) **Patent No.:** **US D581,616 S**

(45) **Date of Patent:** **** Nov. 25, 2008**

(54) **SWEEPER**

(75) Inventor: **Donald Presnell**, Stephens City, VA
(US)

(73) Assignee: **Rubbermaid Commercial Products LLC**, Winchester, VA (US)

(**) Term: **14 Years**

(21) Appl. No.: **29/296,231**

(22) Filed: **Oct. 16, 2007**

(51) **LOC (8) Cl.** **15-05**

(52) **U.S. Cl.** **D32/38**

(58) **Field of Classification Search** D32/21,
D32/22, 31-33, 38-39; 15/41.1, 42-46,
15/48, 48.1, 79.1, 49.1, 50.3, 415.1; 16/DIG. 41
See application file for complete search history.

(56) **References Cited**

U.S. PATENT DOCUMENTS

2,316,709	A *	4/1943	Owen	15/47
3,628,211	A *	12/1971	Fukuba	15/42
D236,423	S *	8/1975	Mantelet	D32/38
4,168,561	A *	9/1979	Rosendall	15/42
D256,878	S *	9/1980	Kubota et al.	D32/38
D293,142	S *	12/1987	Kubota	D32/38
D312,154	S *	11/1990	Kuroda	D32/38
D349,793	S *	8/1994	Zahuranec et al.	D32/38
D501,282	S *	1/2005	Robertson et al.	D32/38
D501,588	S *	2/2005	Harper et al.	D32/38

* cited by examiner

Primary Examiner—Pamela J Burgess

(74) *Attorney, Agent, or Firm*—Foley & Lardner LLP

(57) **CLAIM**

I claim the ornamental design for a sweeper, as shown and described.

DESCRIPTION

FIG. 1 is a top frontal perspective view of a first embodiment of a sweeper according to my new design;

FIG. 2 is a front view of the sweeper shown in FIG. 1;

FIG. 3 is a back view of the sweeper shown in FIG. 1;

FIG. 4 is a left side view of the sweeper shown in FIG. 1;

FIG. 5 is a right view of the sweeper shown in FIG. 1;

FIG. 6 is a top view of the sweeper shown in FIG. 1;

FIG. 7 is a bottom view of the sweeper shown in FIG. 1;

FIG. 8 is a top frontal perspective view of a second embodiment of a sweeper according to my new design;

FIG. 9 is a front view of the sweeper shown in FIG. 8;

FIG. 10 is a back side view of the sweeper shown in FIG. 8;

FIG. 11 is a left side view of the sweeper shown in FIG. 8;

FIG. 12 is a right side view of the sweeper shown in FIG. 8;

FIG. 13 is a top view of the sweeper shown in FIG. 8; and,

FIG. 14 is a bottom view of the sweeper shown in FIG. 8.

The ornamental design which is claimed is shown in solid lines in the drawings. The broken lines in the drawings are for illustrative purposes only and form no part of the claimed design.

1 Claim, 10 Drawing Sheets

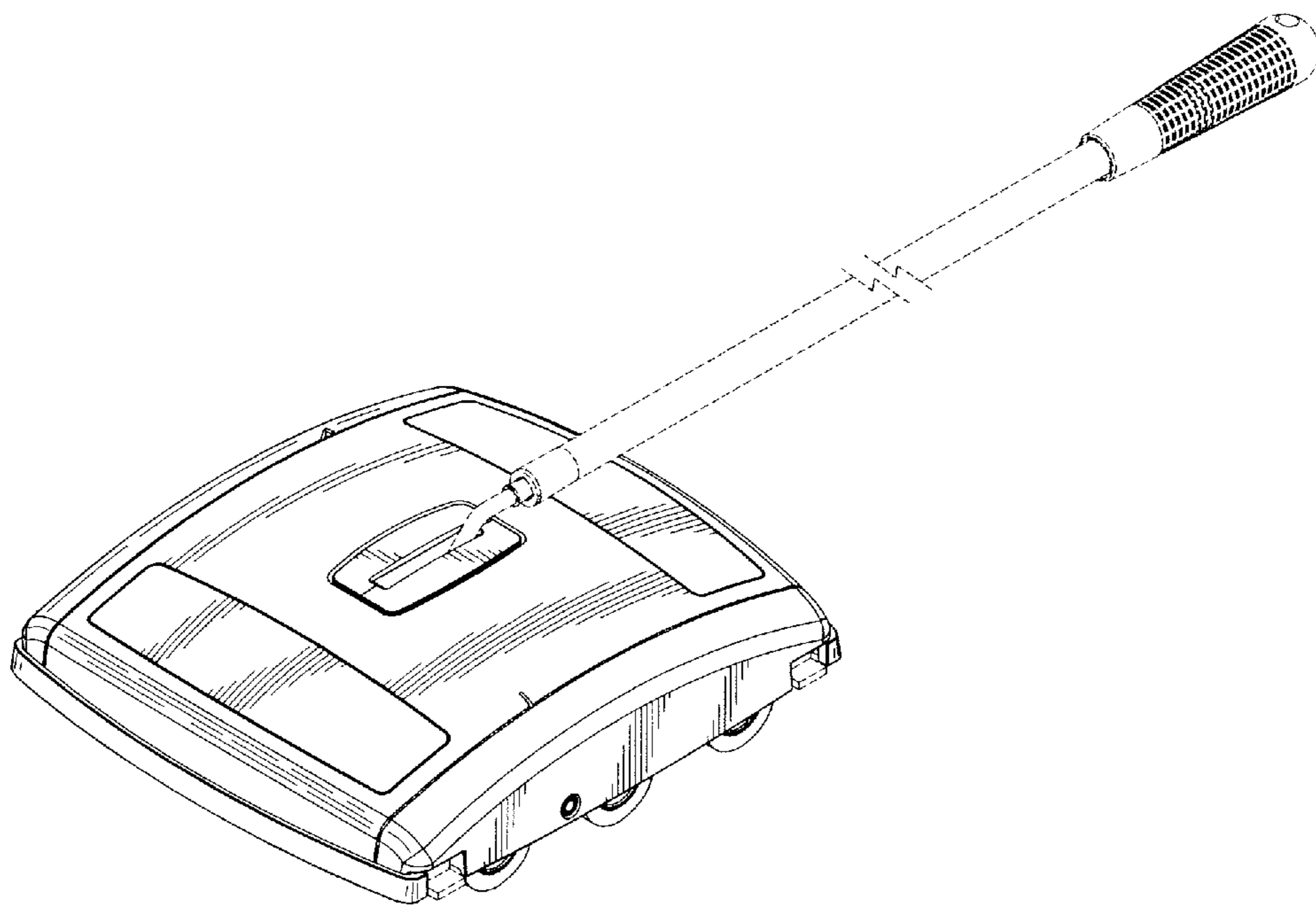


Fig. 1

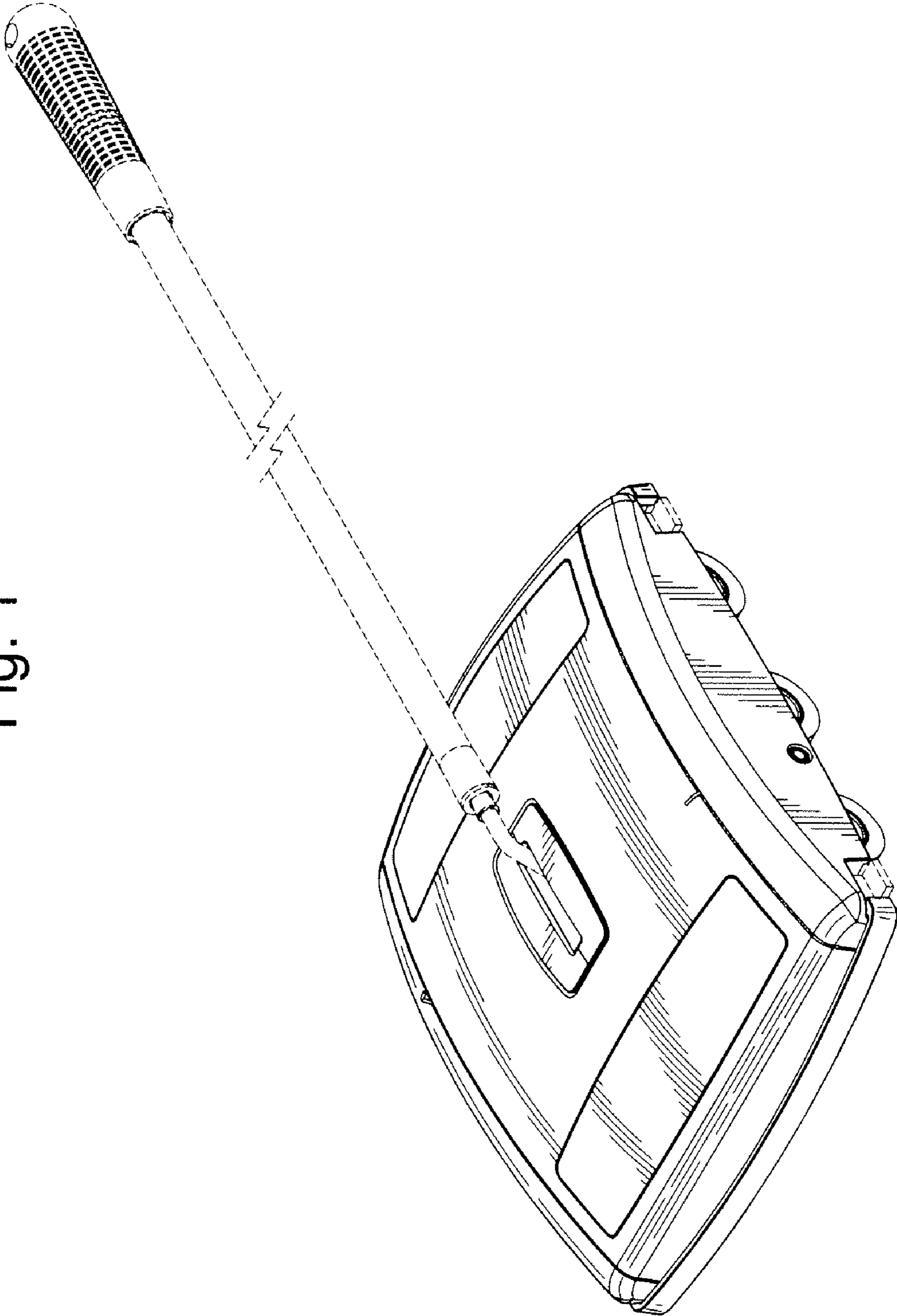


Fig. 2

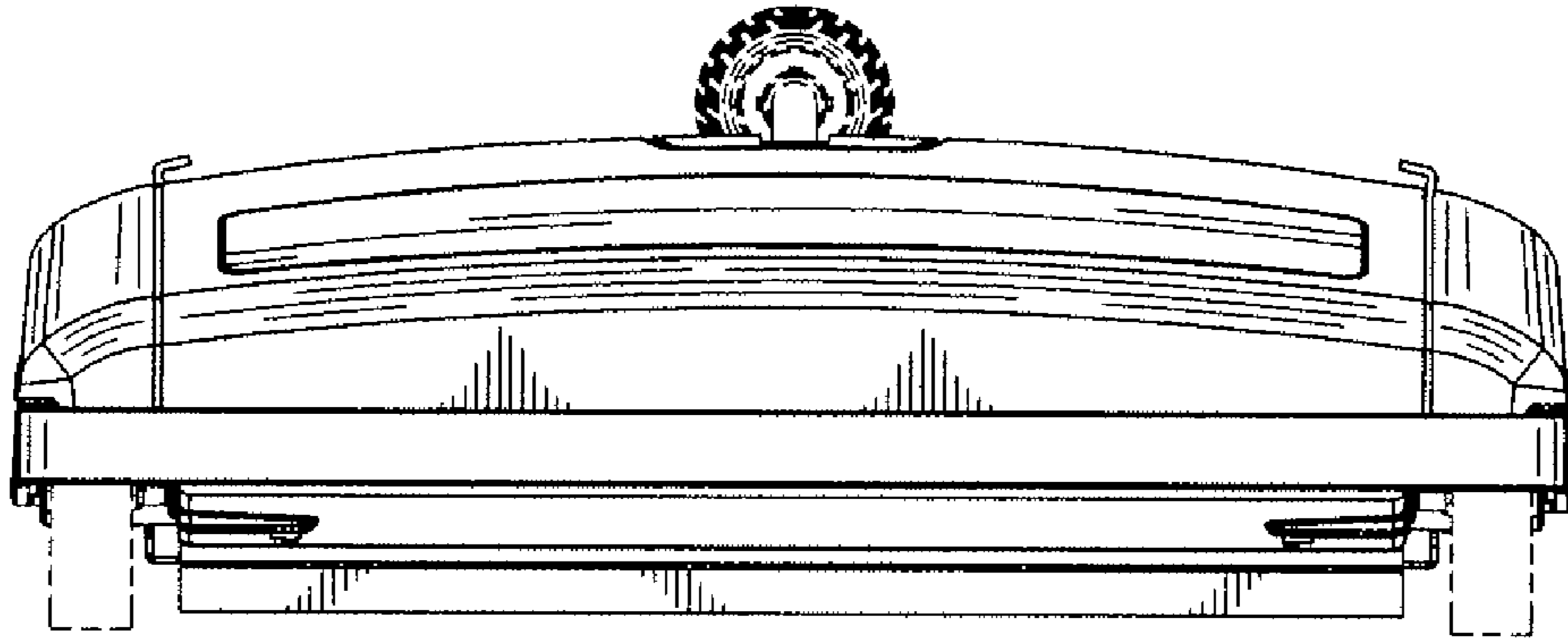


Fig. 3

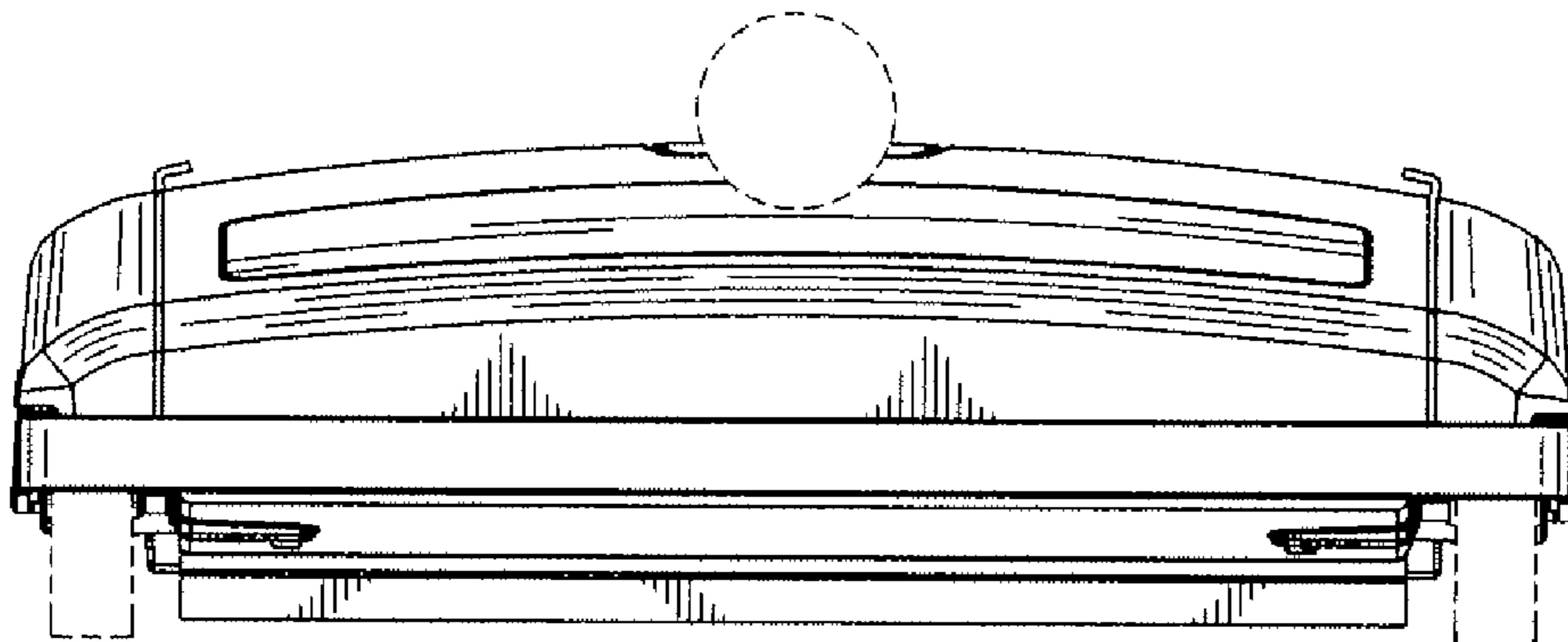


Fig. 4

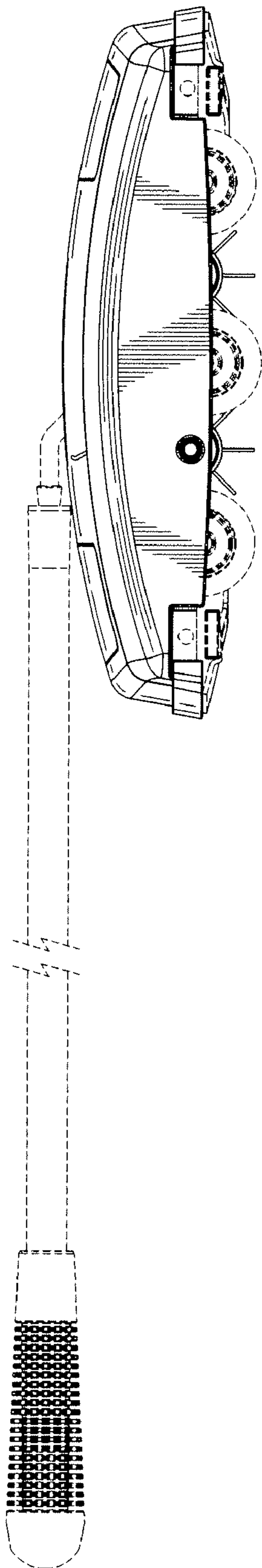


Fig. 5

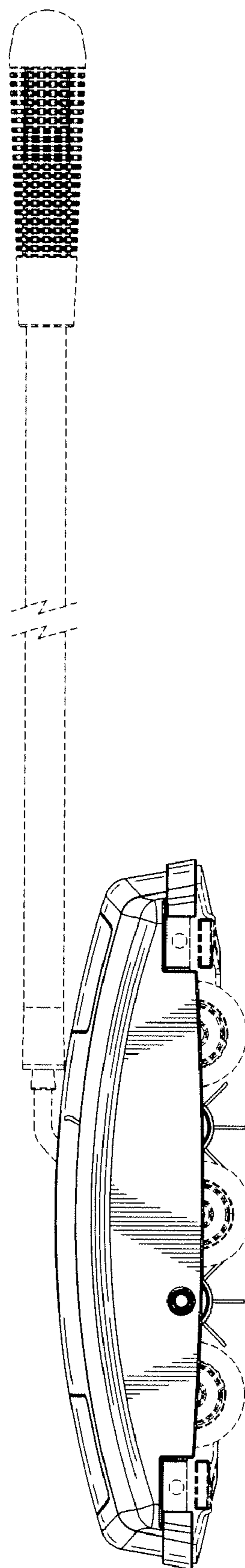


Fig. 7

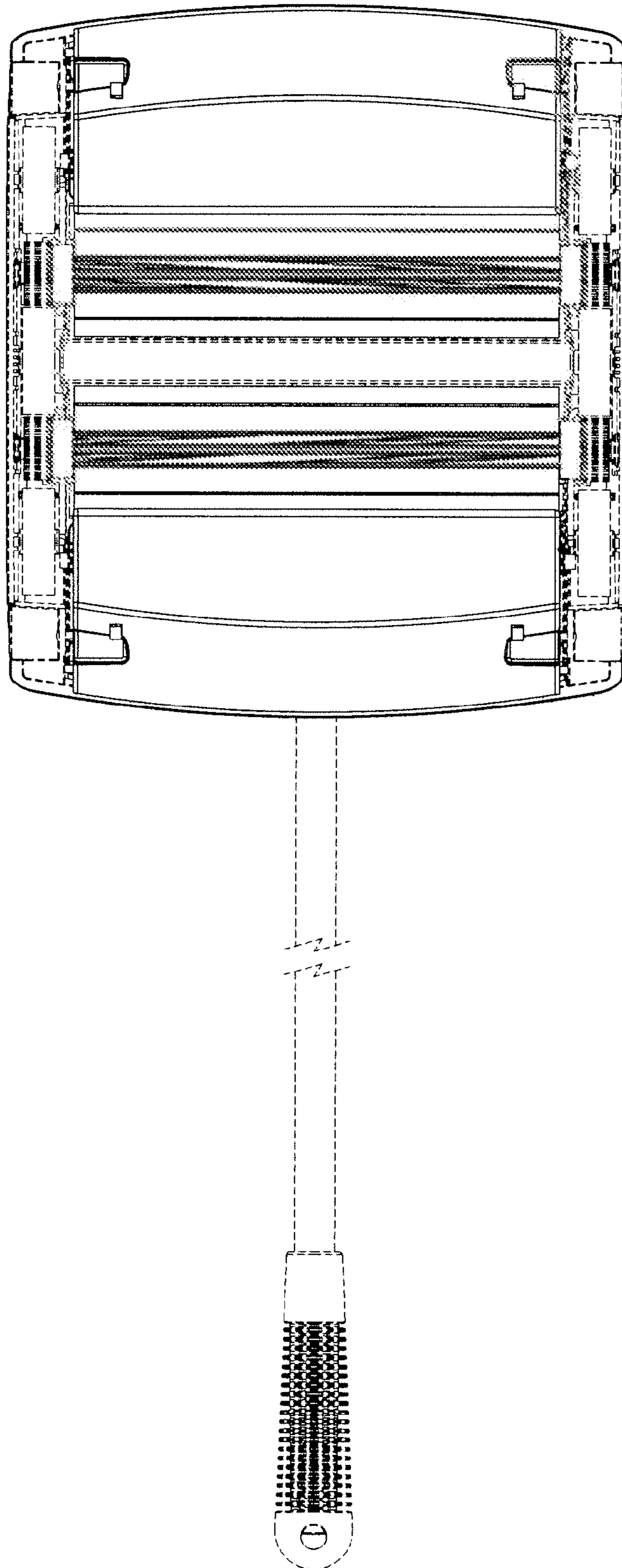


Fig. 8

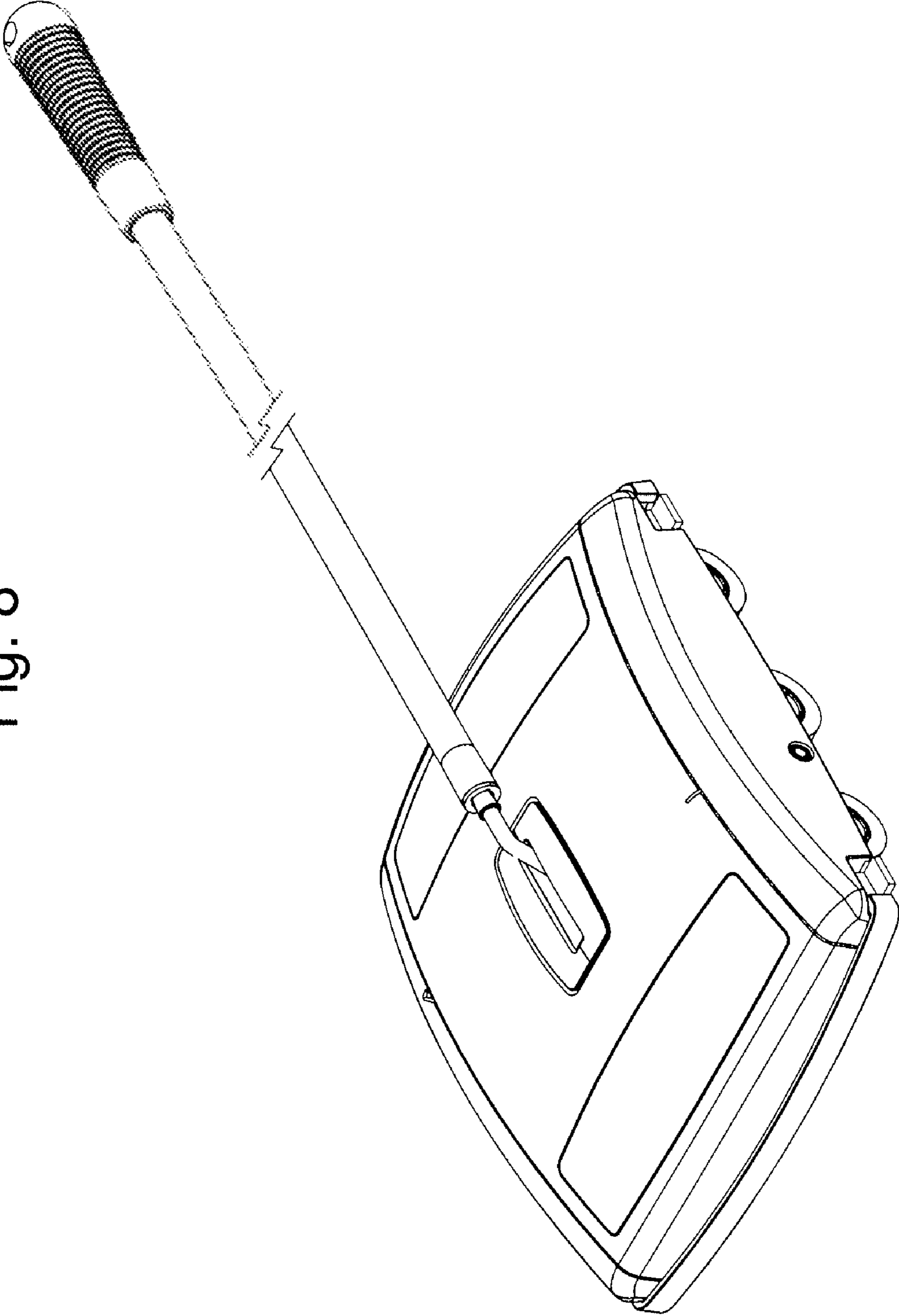


Fig. 9

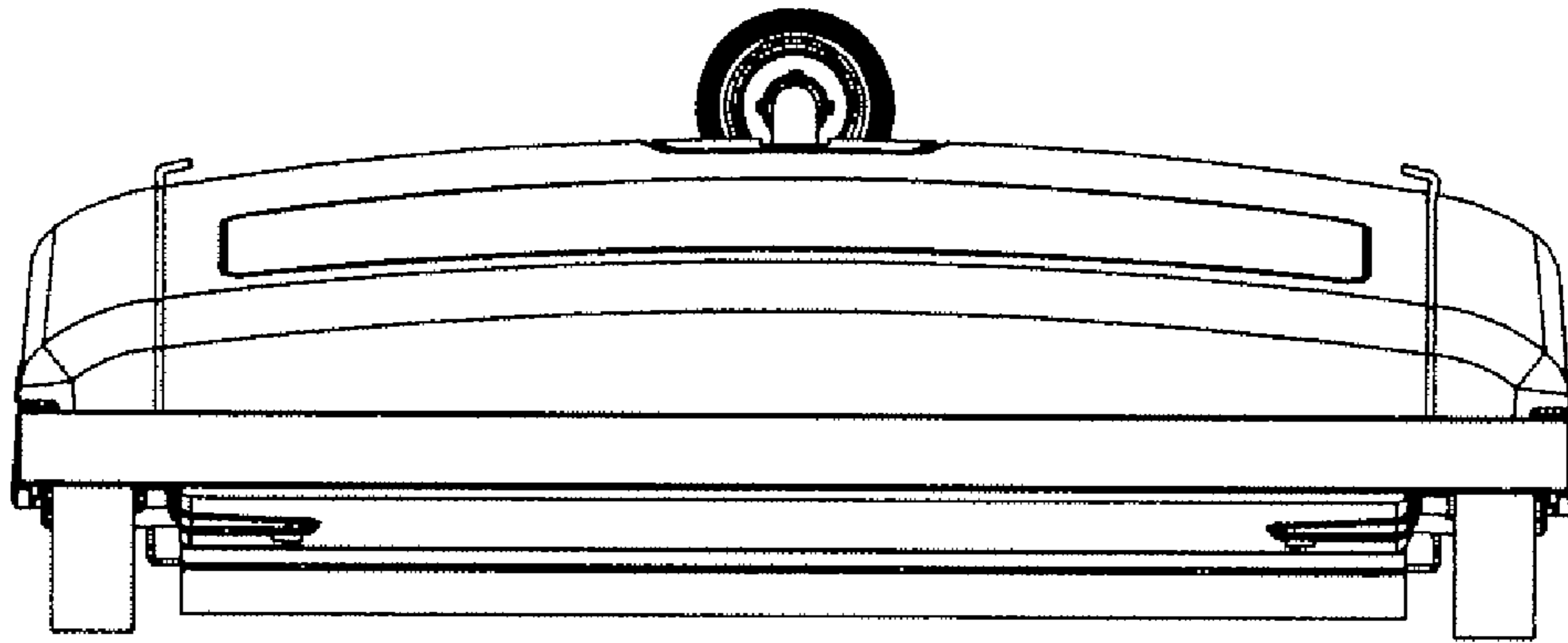


Fig . 1 0

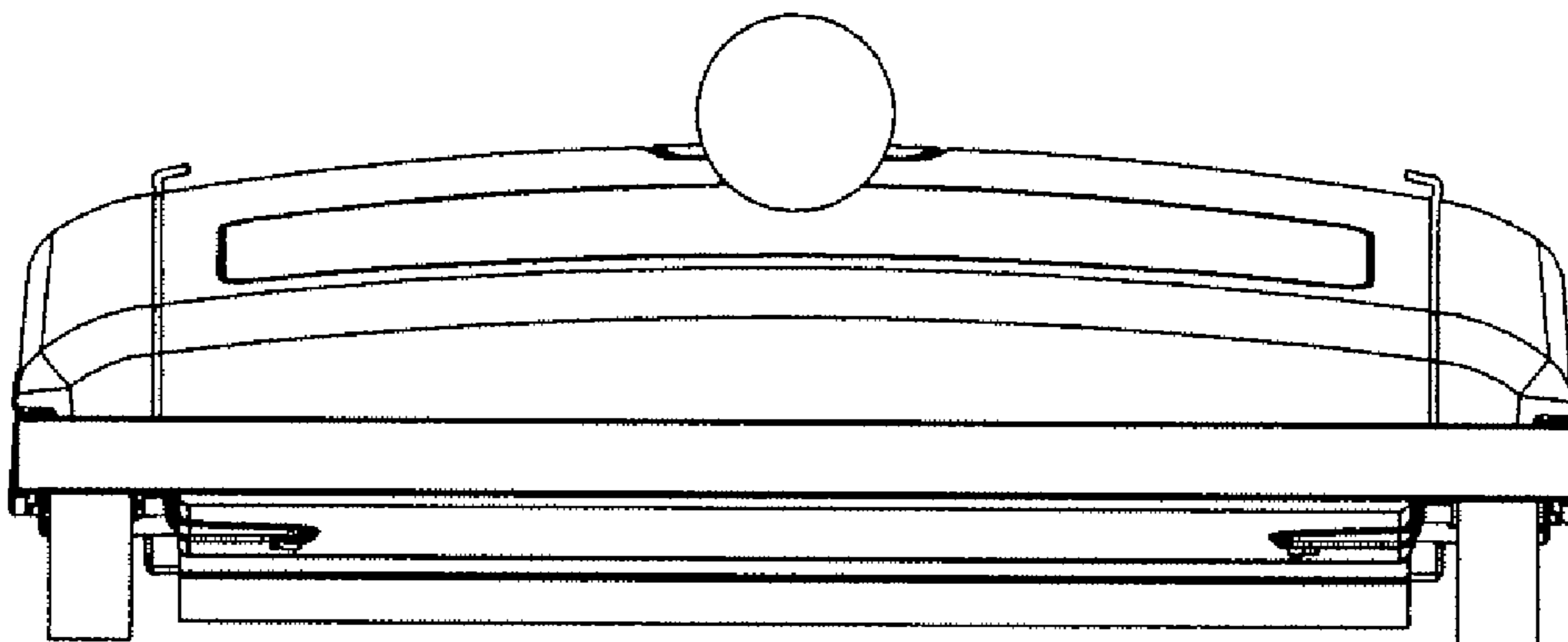


Fig. 11

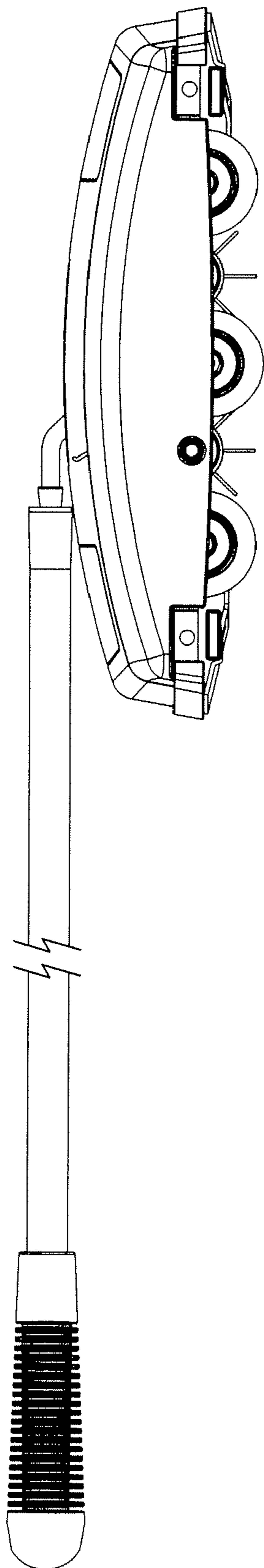


Fig. 12

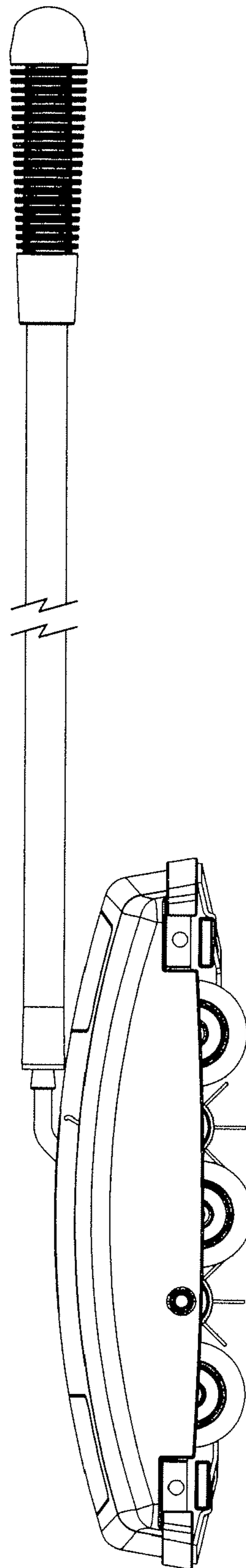


Fig. 13

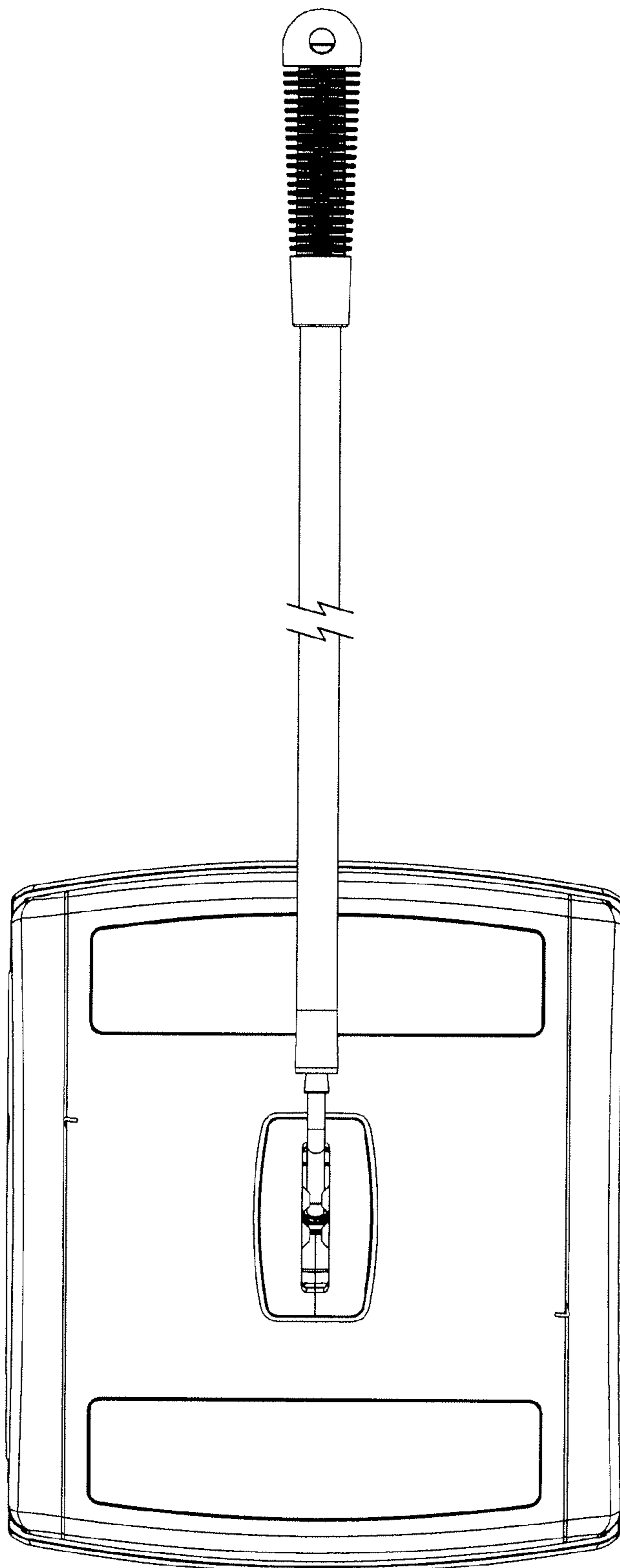


Fig. 14

