



US00D581614S

(12) **United States Design Patent**
Knight

(10) **Patent No.:** **US D581,614 S**

(45) **Date of Patent:** **** Nov. 25, 2008**

(54) **WASHING AND LAUNDRY BASKET**

(76) **Inventor:** **Wayne Knight**, 14 Botmead Rd,
Northampton (GB) NN3 5JF

(**) **Term:** **14 Years**

(21) **Appl. No.:** **29/306,032**

(22) **Filed:** **Apr. 1, 2008**

(51) **LOC (8) Cl.** **08-99**

(52) **U.S. Cl.** **D32/36**

(58) **Field of Classification Search** D32/36-37;
220/908-9; 206/287; 283/36, 907, 13, 24;
D3/301, 278, 289, 304, 310; 190/107, 115,
190/103

See application file for complete search history.

(56) **References Cited**

U.S. PATENT DOCUMENTS

3,831,650	A	8/1974	Consorti	
3,943,988	A	3/1976	Consorti	
D307,811	S	5/1990	Branco	
4,979,833	A	12/1990	Cook	
5,050,998	A	9/1991	Wachtel	
D335,008	S *	4/1993	Abel	D32/36
D340,963	S *	11/1993	Hall	D3/303
D348,754	S *	7/1994	Feller	D32/36
D348,962	S *	7/1994	Delery	D32/36

5,540,501	A *	7/1996	Franco	383/13
D383,265	S *	9/1997	Gable	D32/36
D406,423	S *	3/1999	Kellogg et al.	D32/37
D479,898	S *	9/2003	Scola	D32/36
6,659,273	B1	12/2003	Scola	
D495,459	S	8/2004	Purnell	
7,073,942	B2 *	7/2006	Vazquez	383/2
D544,166	S *	6/2007	Johnson	D34/1
D555,854	S *	11/2007	Kamiya	D32/37

* cited by examiner

Primary Examiner—Pamela J Burgess

(74) *Attorney, Agent, or Firm*—Kyle Fletcher

(57) **CLAIM**

The ornamental design for the washing and laundry basket, as shown and described.

DESCRIPTION

FIG. 1 is a front elevational view of a washing and laundry basket showing my new design;

FIG. 2 is a rear elevational view thereof;

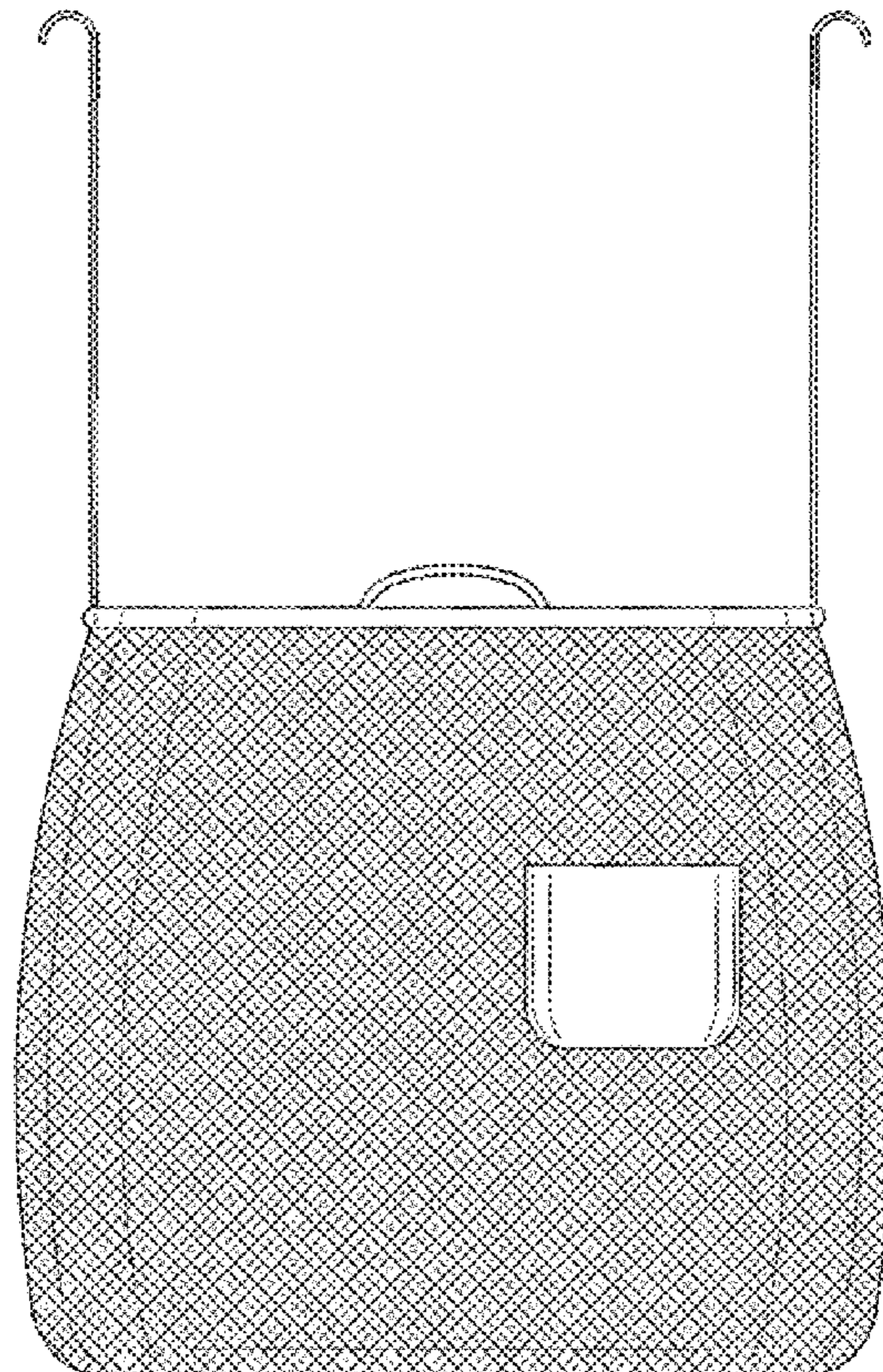
FIG. 3 is a left side elevational view thereof;

FIG. 4 is a right side elevational view thereof;

FIG. 5 is a top plan view thereof; and,

FIG. 6 is a bottom plan view thereof.

1 Claim, 3 Drawing Sheets



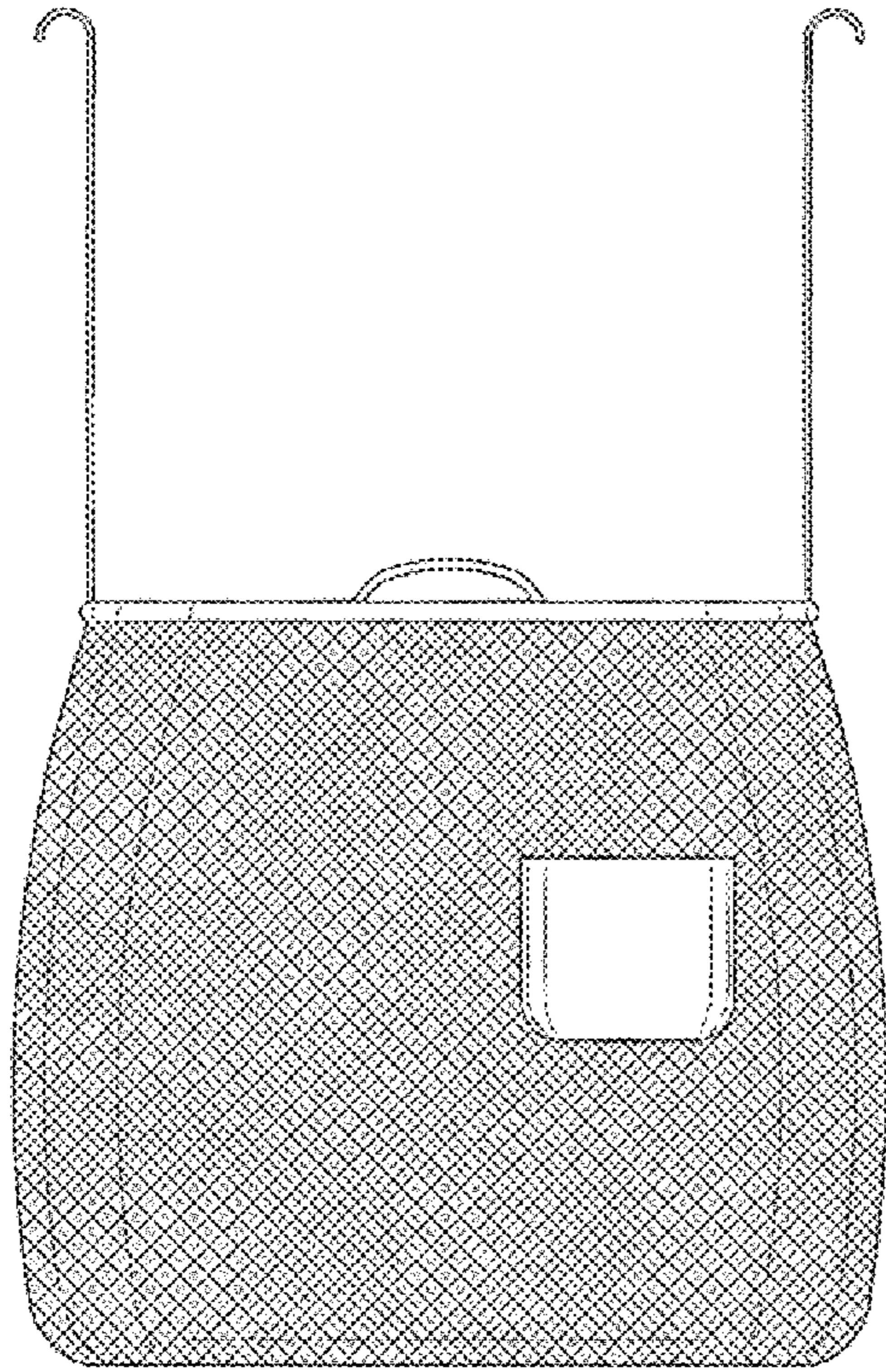


FIG. 1

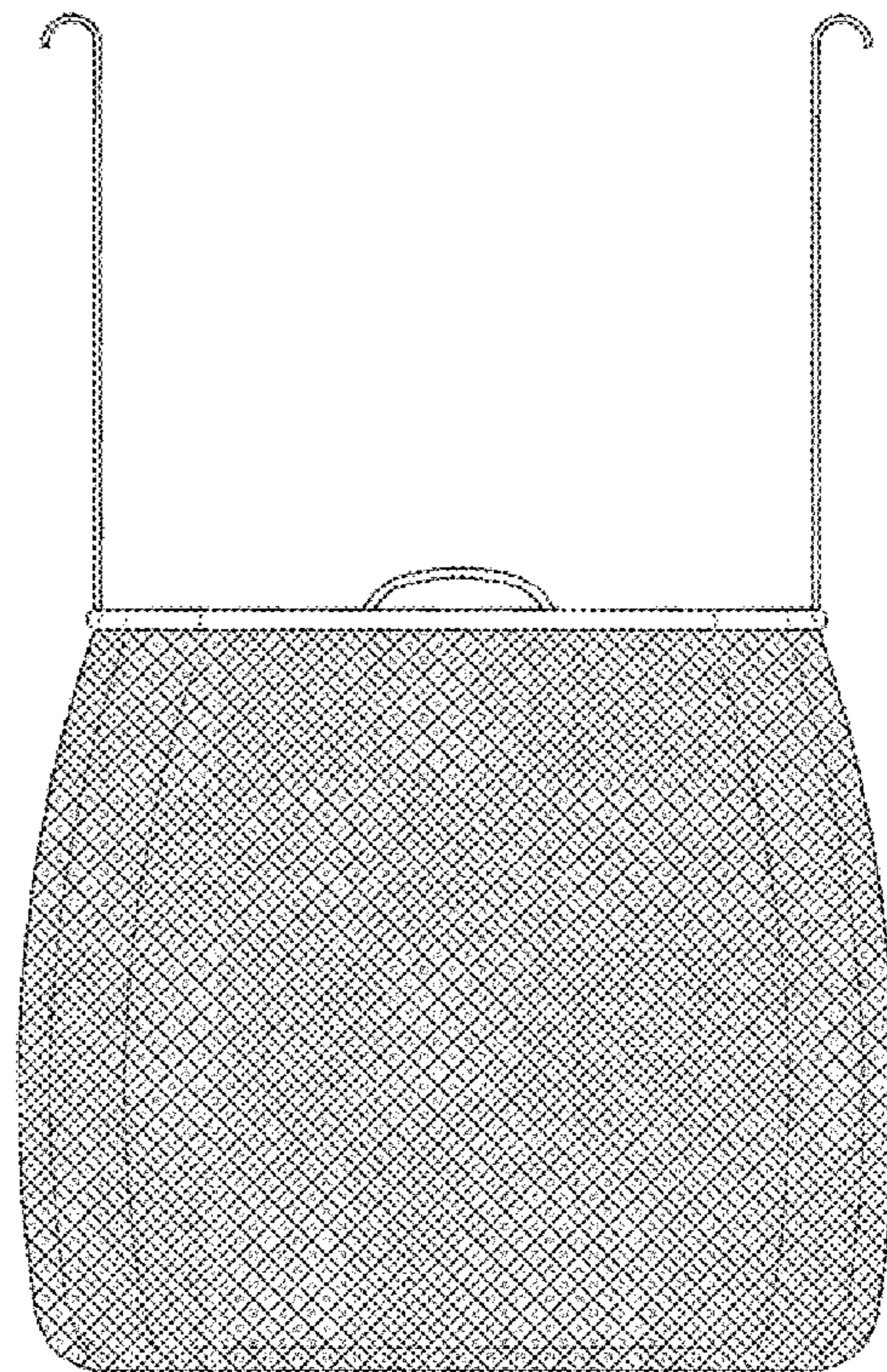


FIG. 2

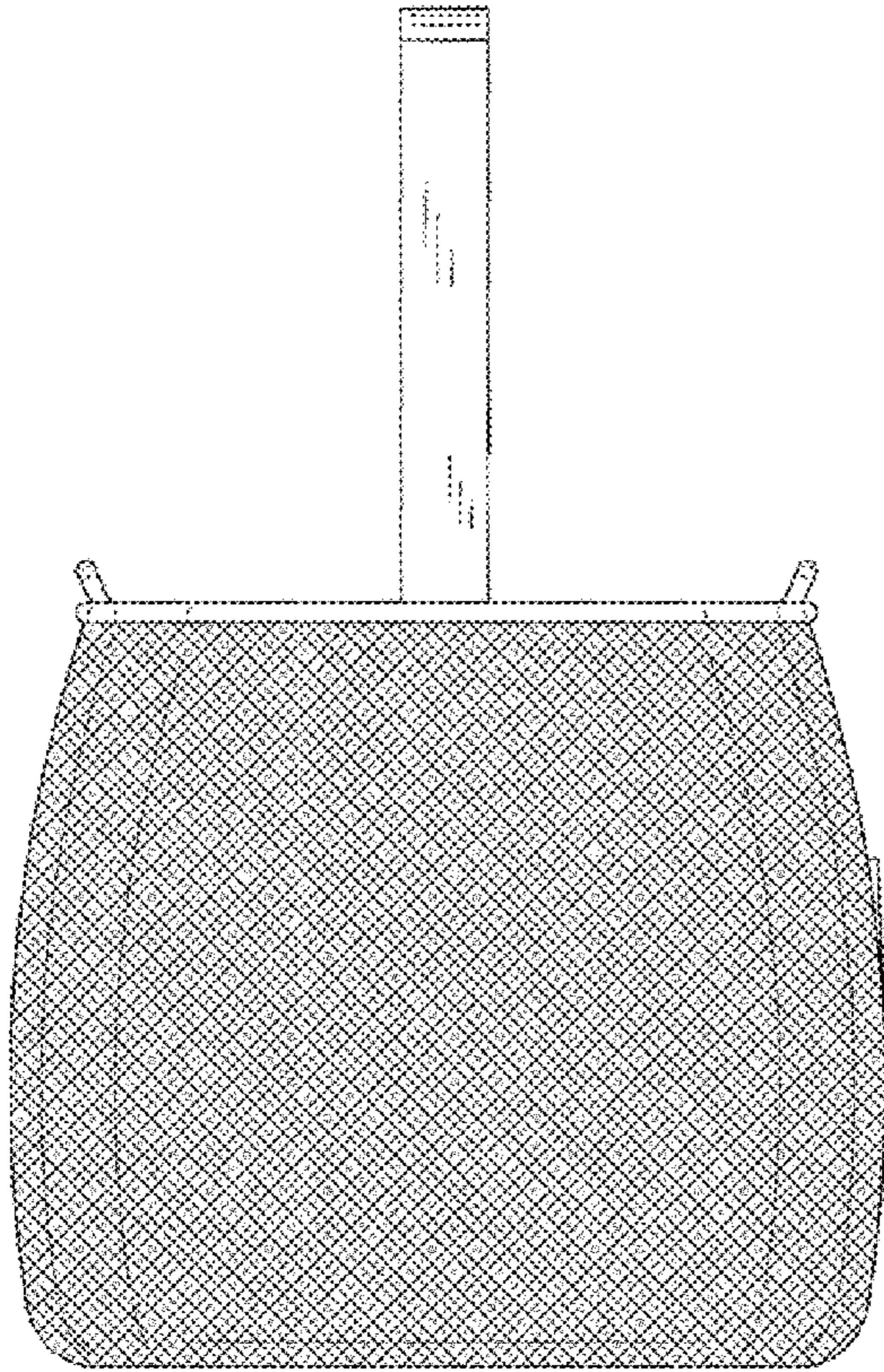


FIG. 3

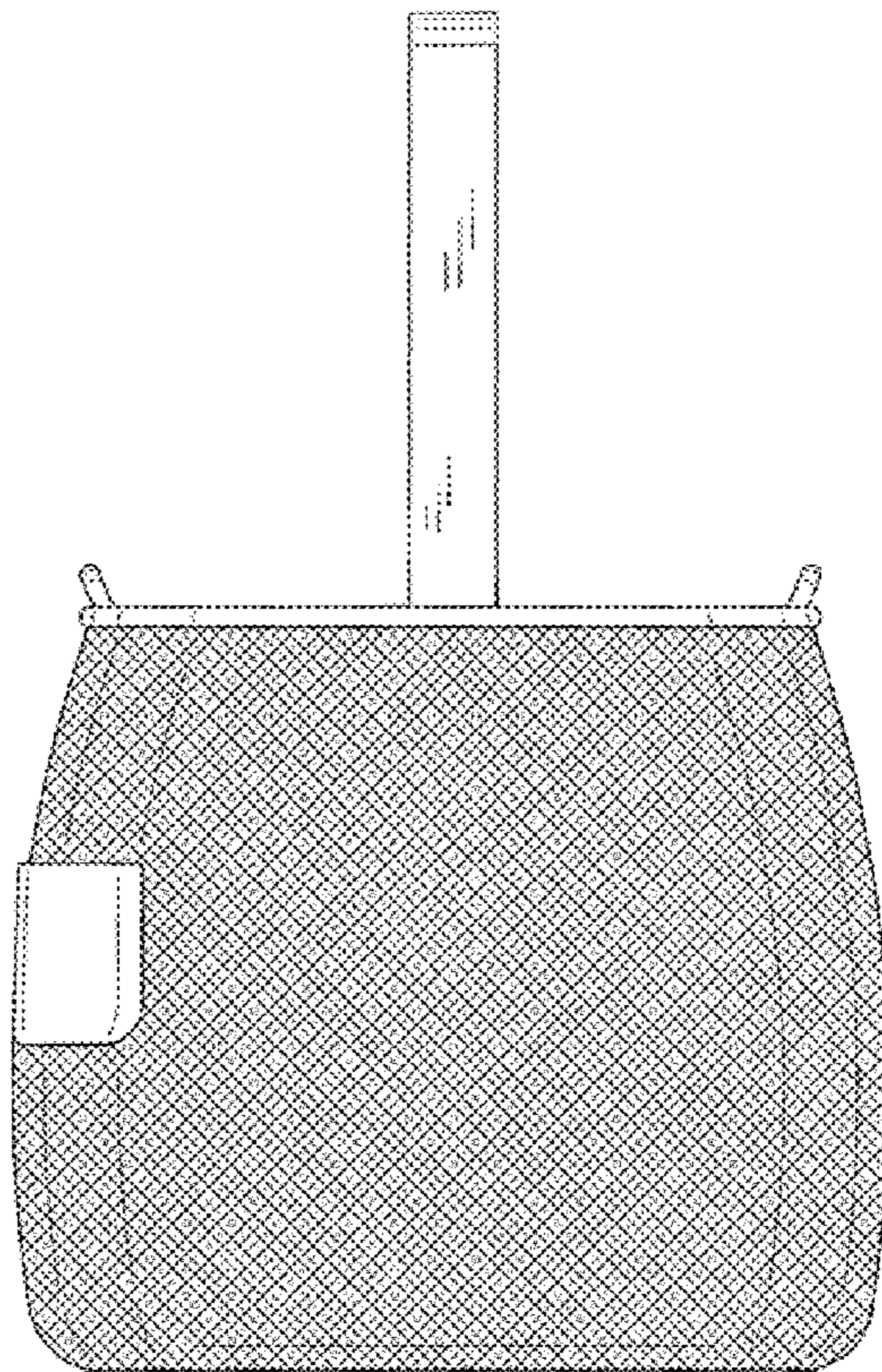


FIG. 4

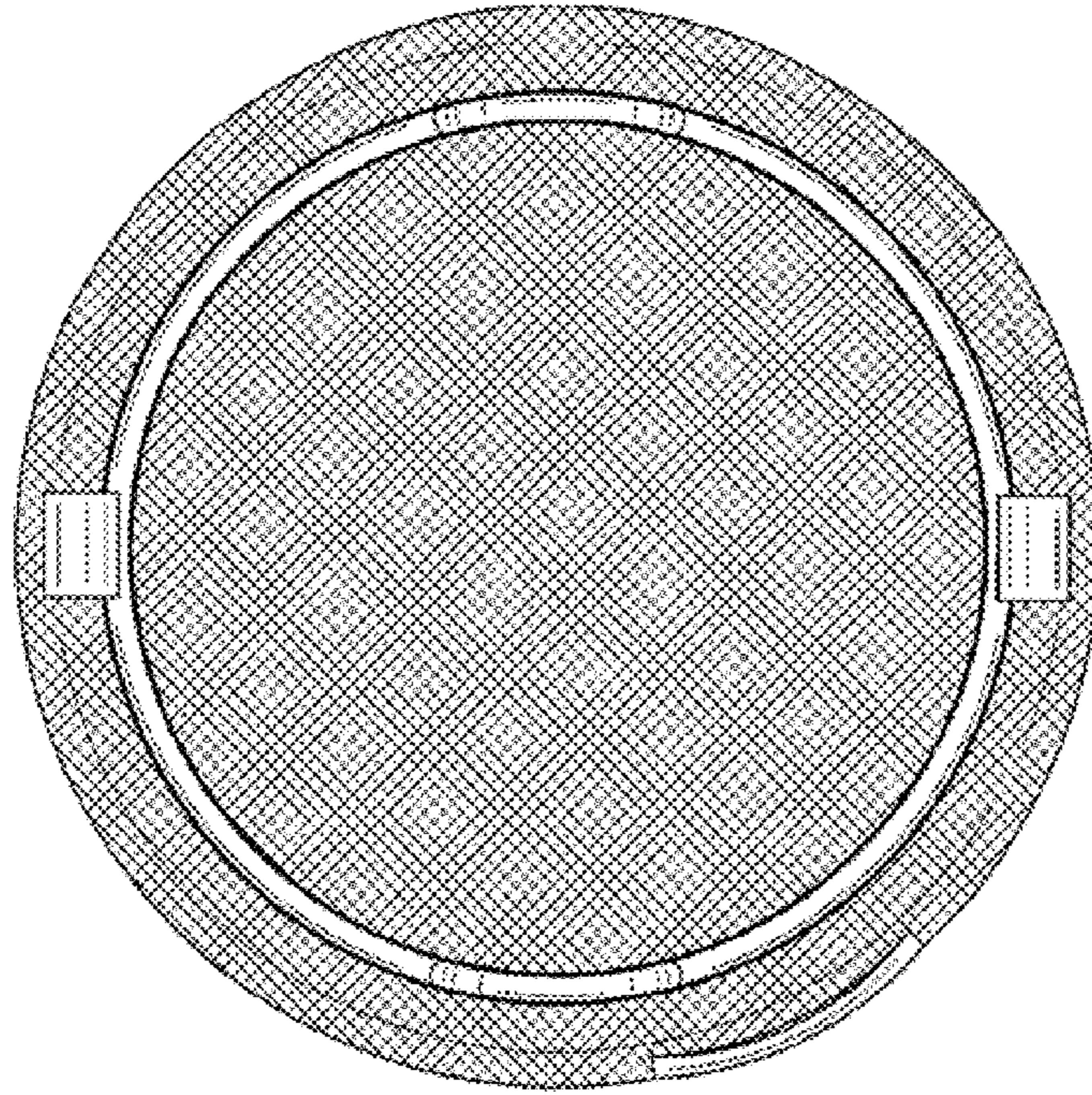


FIG. 5

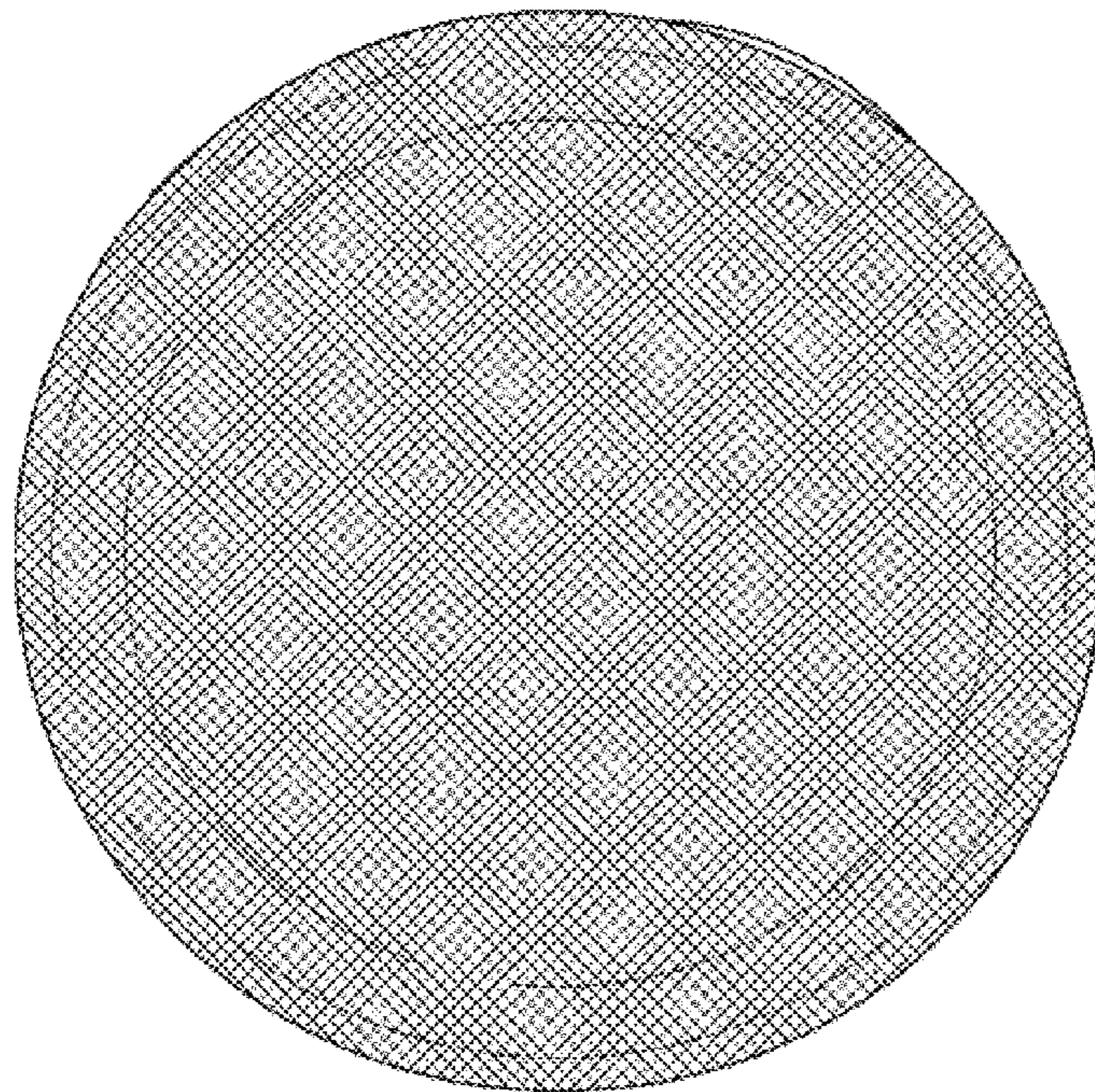


FIG. 6