



US00D581613S

(12) **United States Design Patent**
Kim

(10) **Patent No.:** **US D581,613 S**
(45) **Date of Patent:** **** Nov. 25, 2008**

(54) **HANDLE FOR VACUUM CLEANER**

(76) Inventor: **Bong Hee Kim**, A-dong 1209-ho,
Hyundai Camellia Apartment, 1433
Woo-dong, Haewundae-gu, Pusan (KR)

(**) Term: **14 Years**

(21) Appl. No.: **29/279,522**

(22) Filed: **May 2, 2007**

(30) **Foreign Application Priority Data**

Nov. 17, 2006 (KR) 30-2006-0045817

(51) **LOC (8) Cl.** **15-05**

(52) **U.S. Cl.** **D32/34**

(58) **Field of Classification Search** D32/21-24,
D32/31, 34, 16, 30; 15/320-321, 323, 327.1-327.7,
15/329, 335, 340.2, 351, 353, 361, 410-412,
15/246.2, 246.5, DIG. 10, 347, 350; 285/7;
55/DIG. 3, 345, 337, 459.1, 418, 471, 318,
55/429; 95/271

See application file for complete search history.

(56) **References Cited**

U.S. PATENT DOCUMENTS

D420,477 S * 2/2000 Saunders et al. D32/34

D485,030 S * 1/2004 Svaldi D32/34
D493,927 S * 8/2004 Roschi D32/34
D562,512 S * 2/2008 Yoon D32/34
D565,266 S * 3/2008 Crevling et al. D32/34

* cited by examiner

Primary Examiner—Ruth McInroy

(74) *Attorney, Agent, or Firm*—Baker Botts LLP

(57) **CLAIM**

I claim the ornamental design for a handle for vacuum cleaner, as shown and described.

DESCRIPTION

FIG. 1 is a perspective view of a handle for vacuum cleaner showing my new design;

FIG. 2 is a right side view thereof;

FIG. 3 is a left side view thereof;

FIG. 4 is a front view thereof;

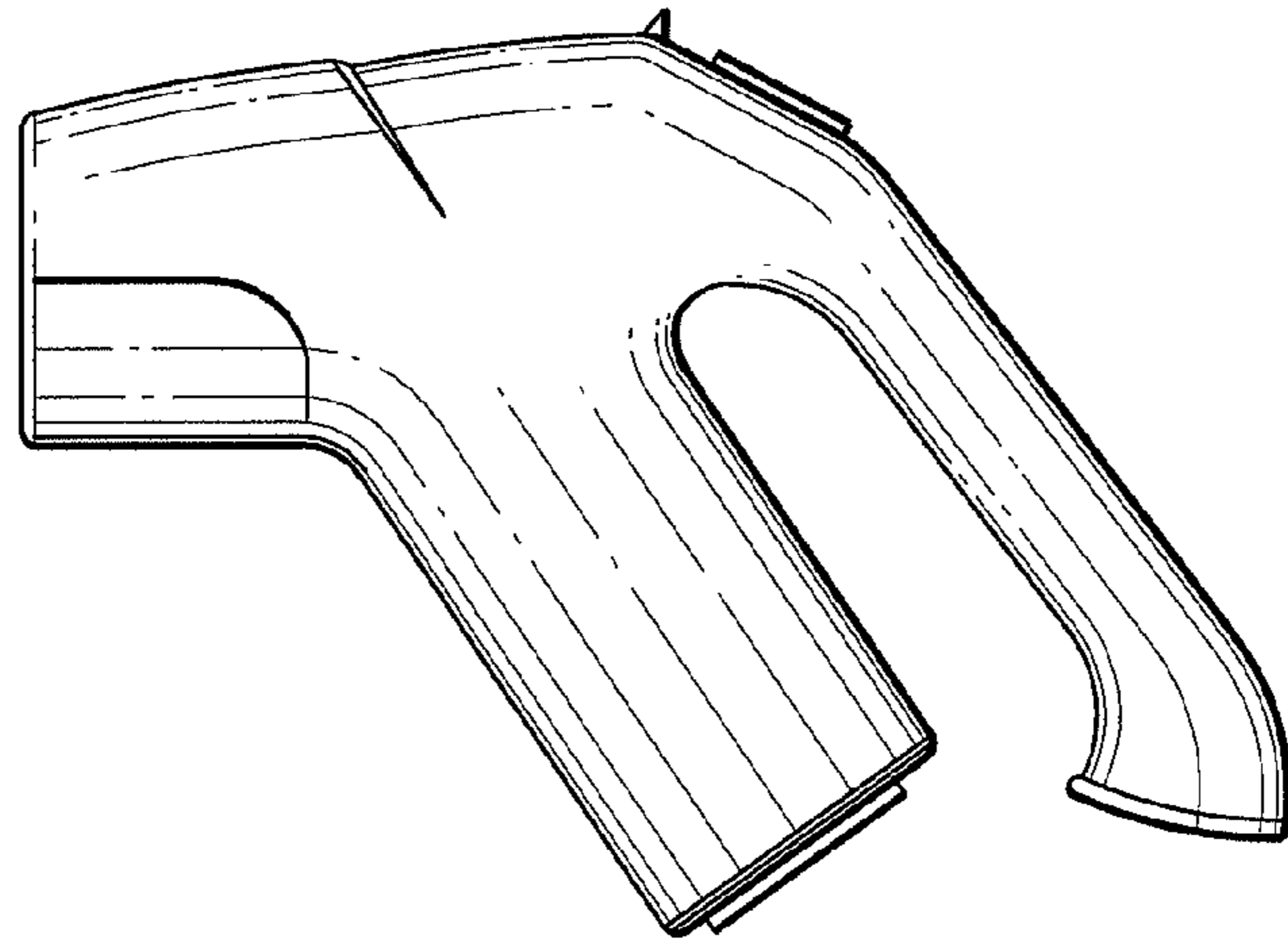
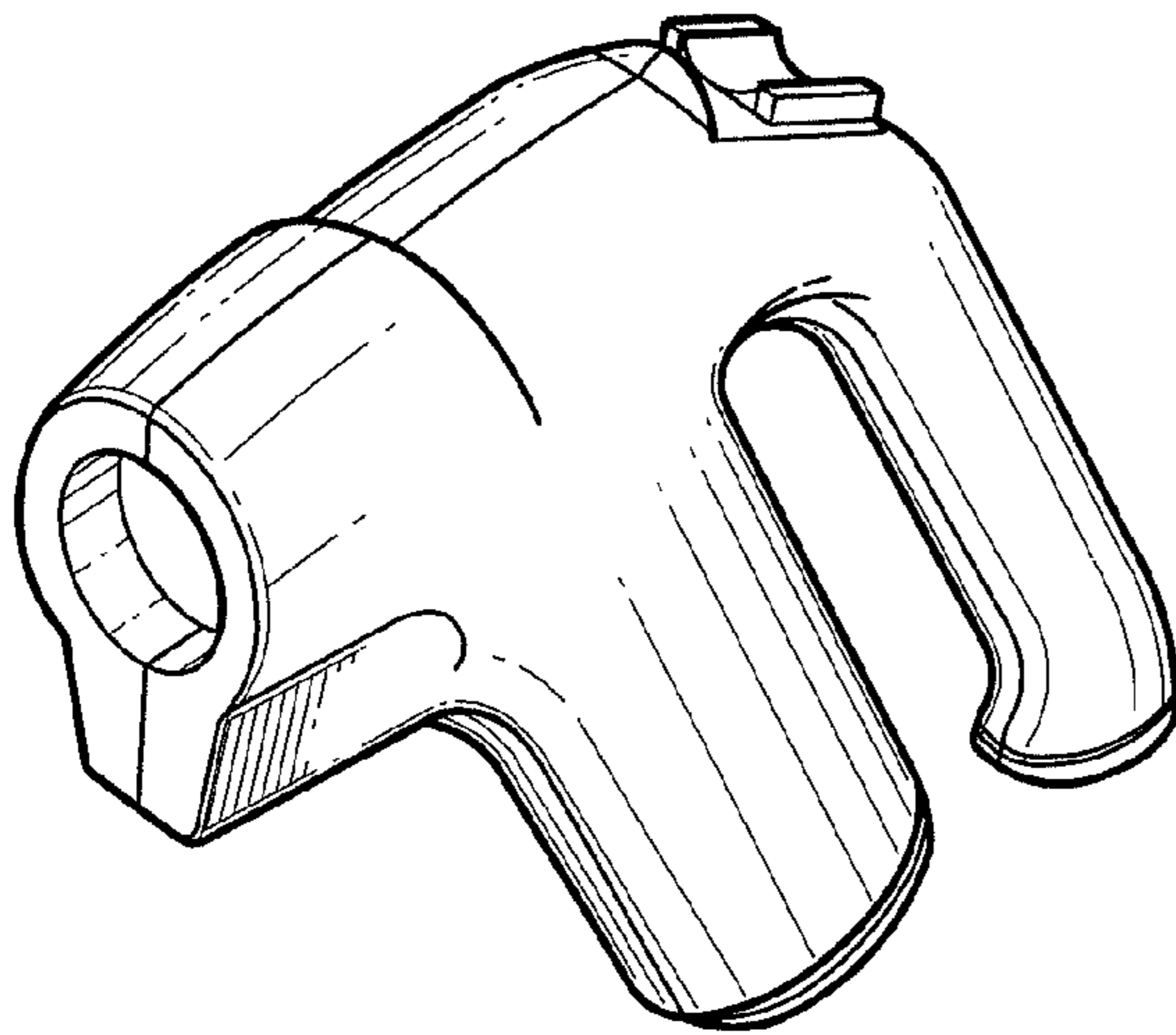
FIG. 5 is a rear side view thereof;

FIG. 6 is a top plan view thereof;

FIG. 7 is a bottom plan view thereof; and,

FIG. 8 is a perspective view thereof, the details shown in broken lines form no part of the claimed design.

1 Claim, 4 Drawing Sheets



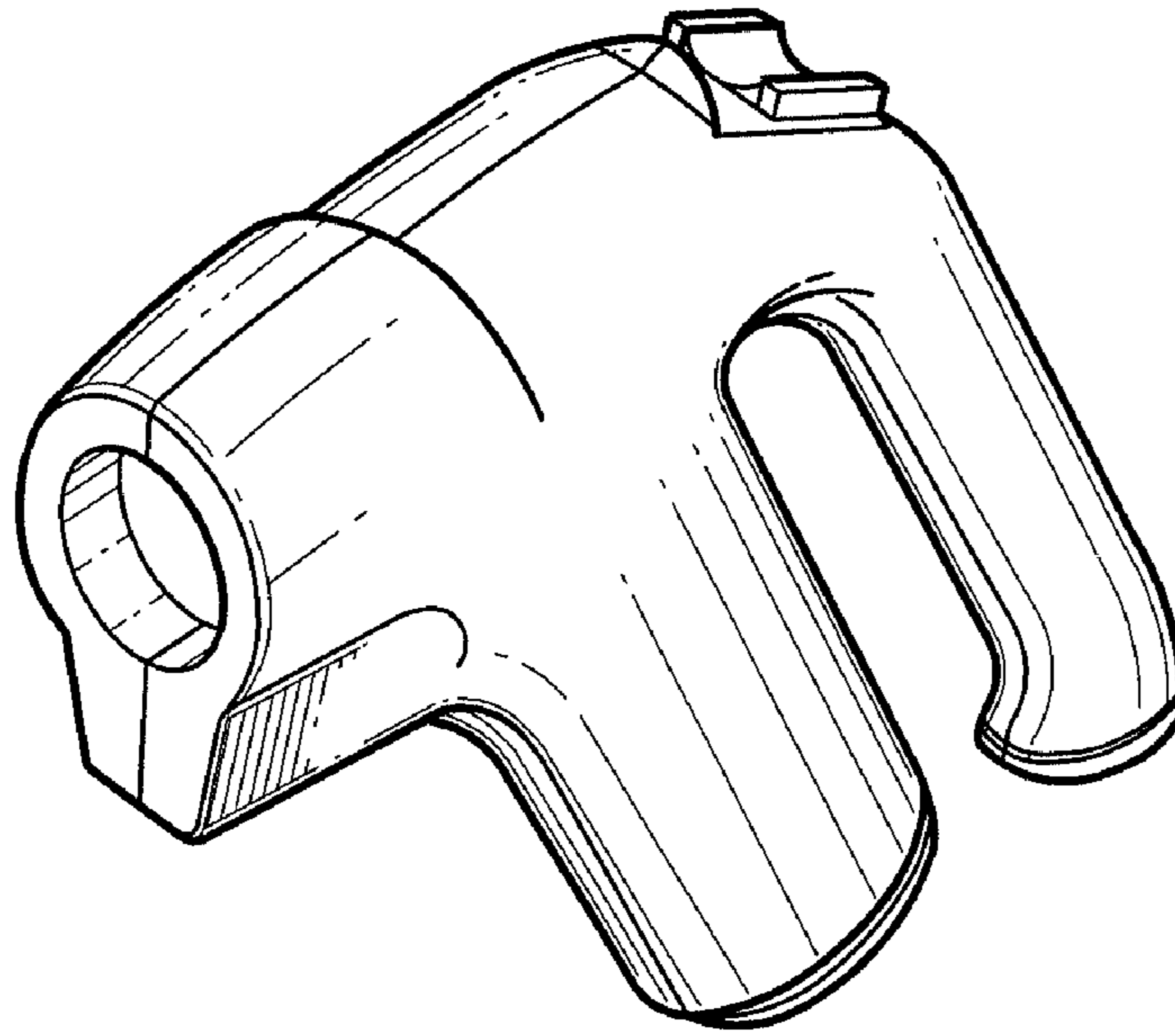


FIG. 1

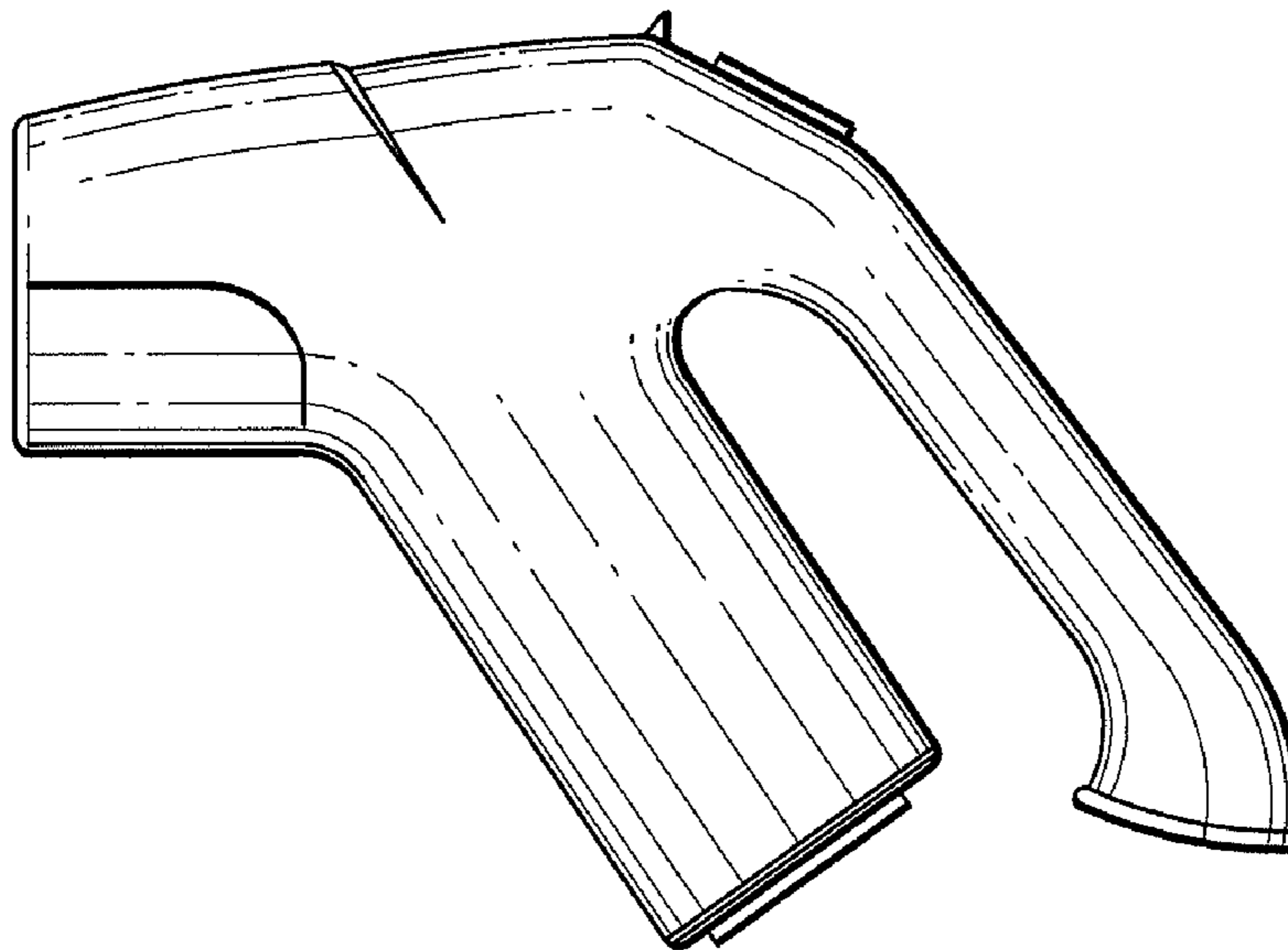


FIG. 2

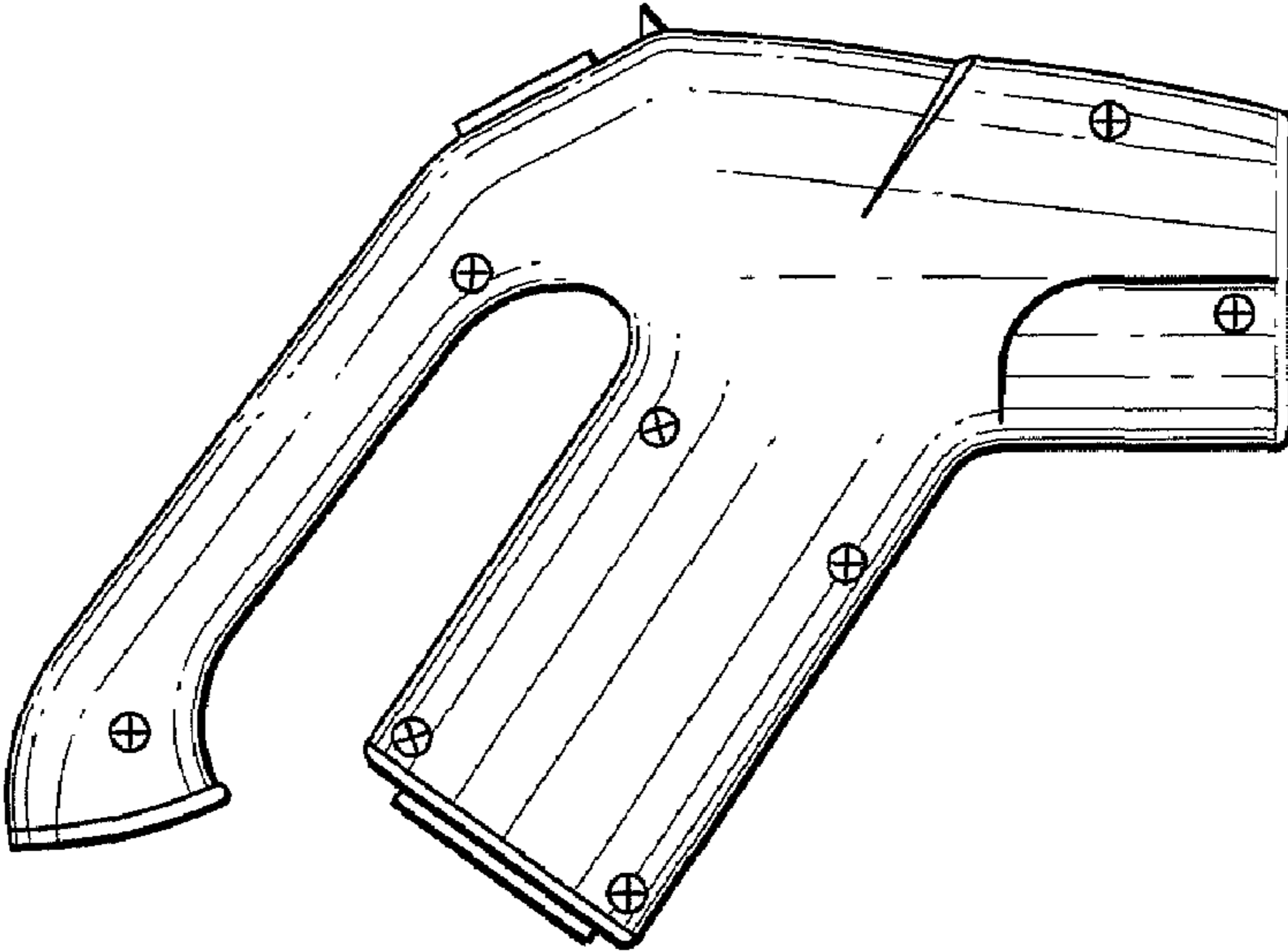


FIG. 3

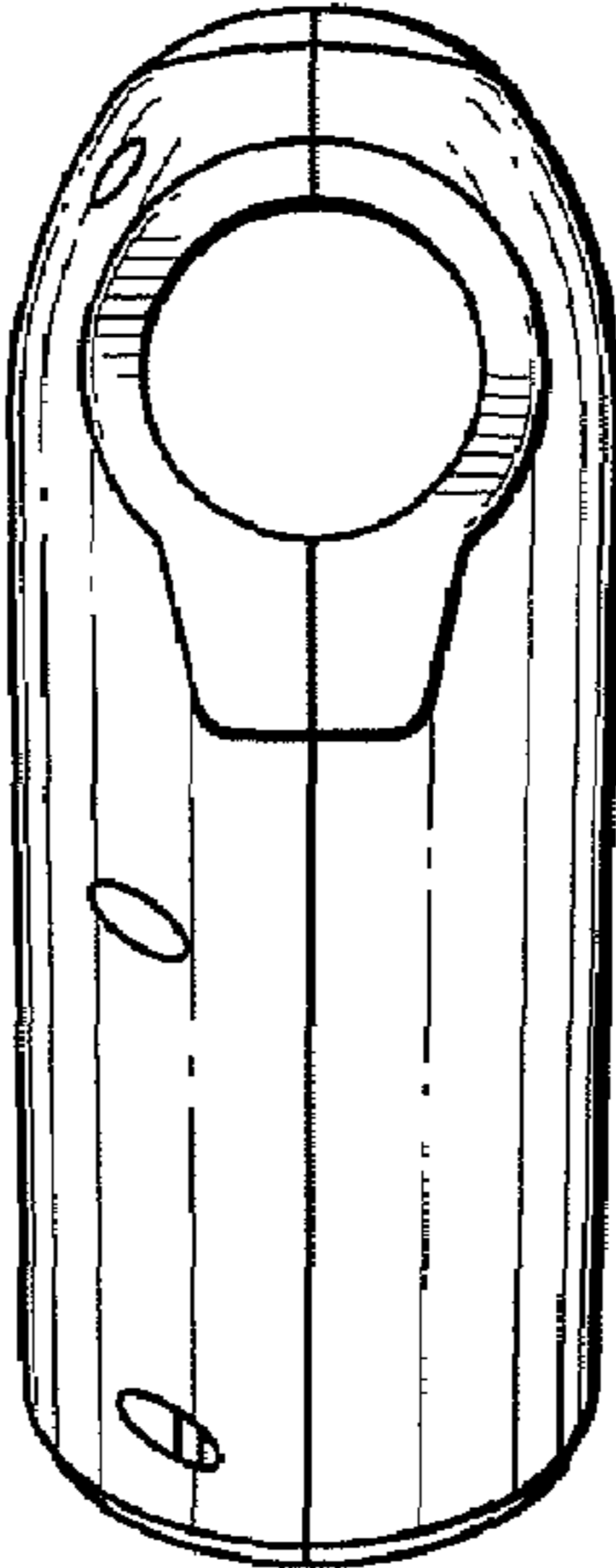


FIG. 4

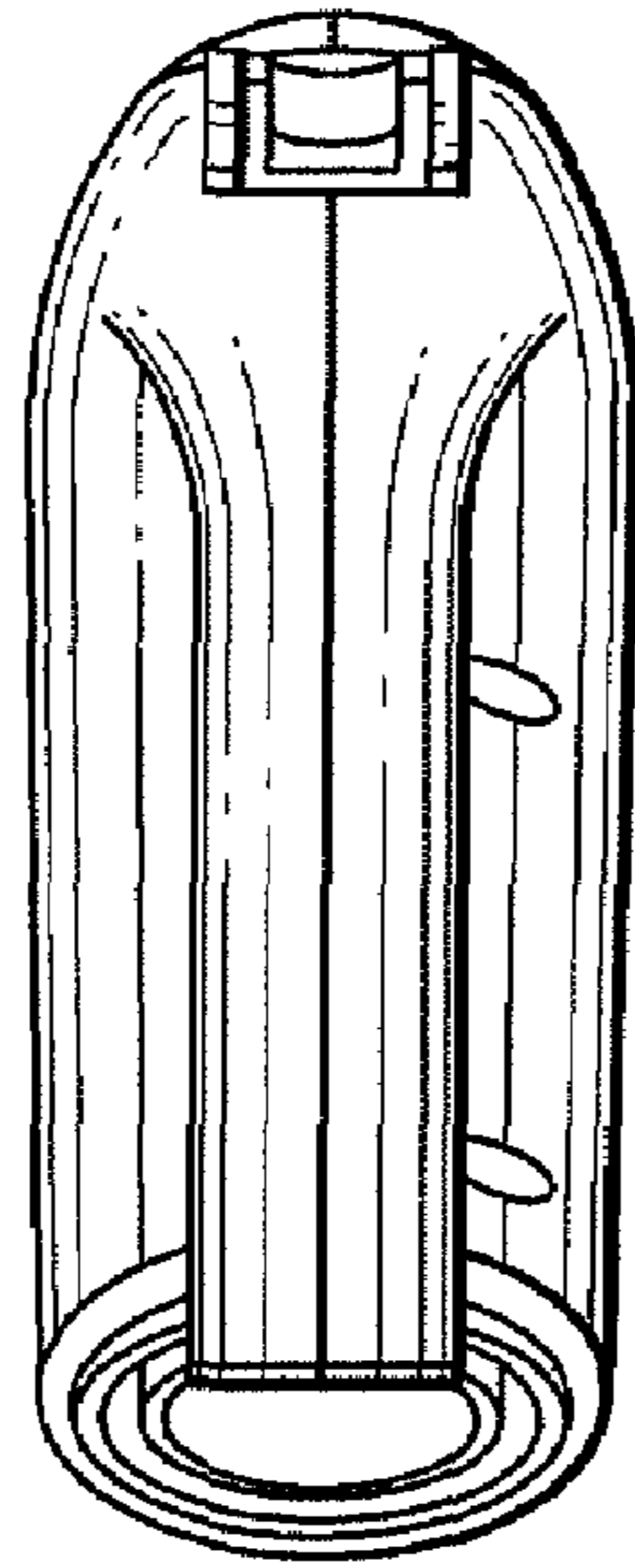


FIG. 5

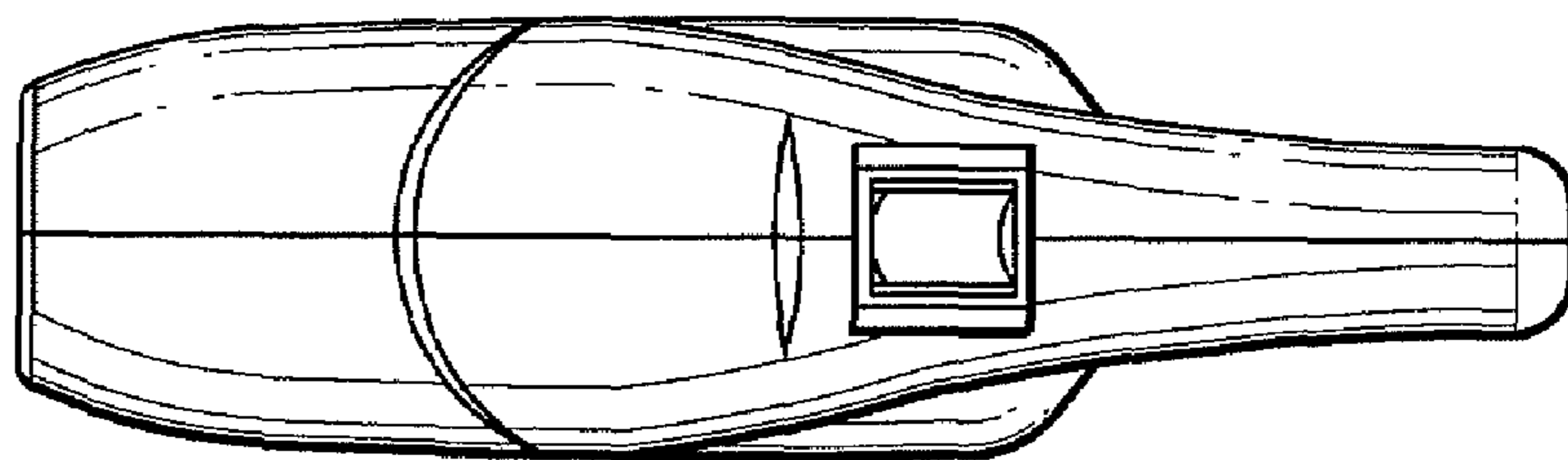


FIG. 6

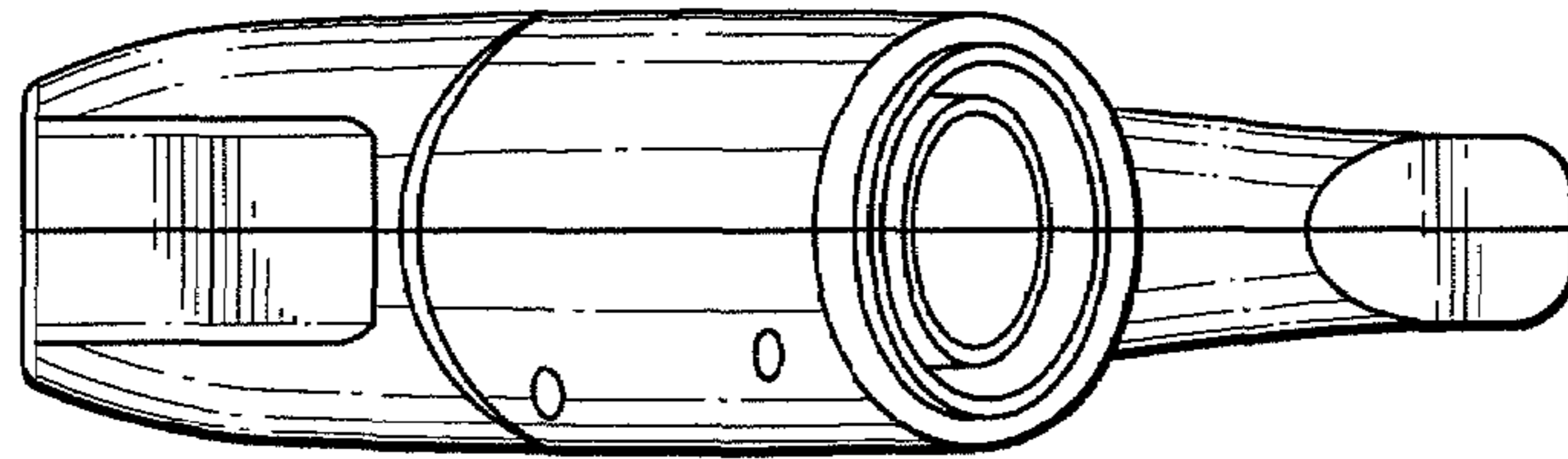


FIG. 7

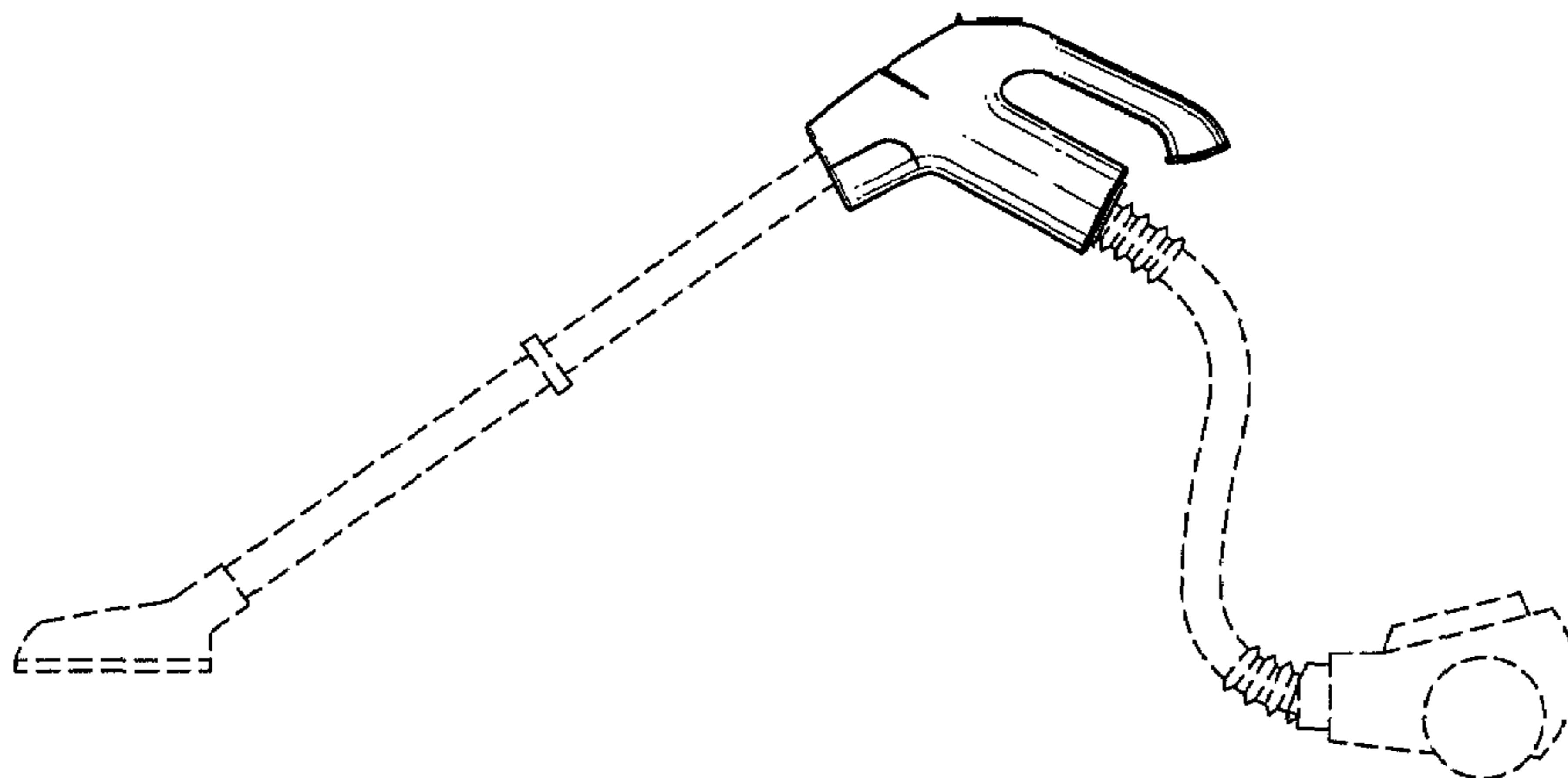


FIG. 8