



US00D581612S

(12) **United States Design Patent**
Yoo et al.

(10) **Patent No.:** **US D581,612 S**
(45) **Date of Patent:** **** Nov. 25, 2008**

(54) **DUST SEPARATING APPARATUS FOR A VACUUM CLEANER**

(75) Inventors: **Dong-hun Yoo**, Gwangju (KR);
Myoung-sun Choung, Gwangju (KR)

(73) Assignee: **Samsung Gwangju Electronics Co., Ltd.**, Gwangju (KR)

(**) Term: **14 Years**

(21) Appl. No.: **29/292,722**

(22) Filed: **Oct. 25, 2007**

(51) **LOC (8) Cl.** **15-05**

(52) **U.S. Cl.** **D32/31**

(58) **Field of Classification Search** D32/21–24,
D32/31, 34, 16, 30; 15/320–321, 323, 327.1–327.7,
15/329, 335, 340.2, 351, 353, 361, 410–412,
15/246.2, 246.5, DIG. 10, 347, 350, 352;
285/7; 55/DIG. 3, 345, 337, 459.1, 418,
55/471, 318, 429; 95/271; 96/61

See application file for complete search history.

(56) **References Cited**

U.S. PATENT DOCUMENTS

D483,535 S * 12/2003 Leyden et al. D32/30
D494,718 S * 8/2004 Rosenzweig et al. D32/31

D518,927 S * 4/2006 Rupp et al. D32/21
D525,002 S * 7/2006 Wiedemann D32/23
D533,976 S * 12/2006 Luebbering et al. D32/31
D547,506 S * 7/2007 Medema et al. D32/31
D547,507 S * 7/2007 Medema et al. D32/31
7,275,281 B2 * 10/2007 Park 15/347

* cited by examiner

Primary Examiner—Ruth McInroy

(74) *Attorney, Agent, or Firm*—Ohlandt, Greeley, Ruggiero & Perle, LLP.

(57) **CLAIM**

We claim the ornamental design for a dust separating apparatus for a vacuum cleaner, as shown and described.

DESCRIPTION

FIG. 1 is a perspective view of a dust separating apparatus for a vacuum cleaner showing our new design;

FIG. 2 is a front view thereof;

FIG. 3 is a rear view thereof;

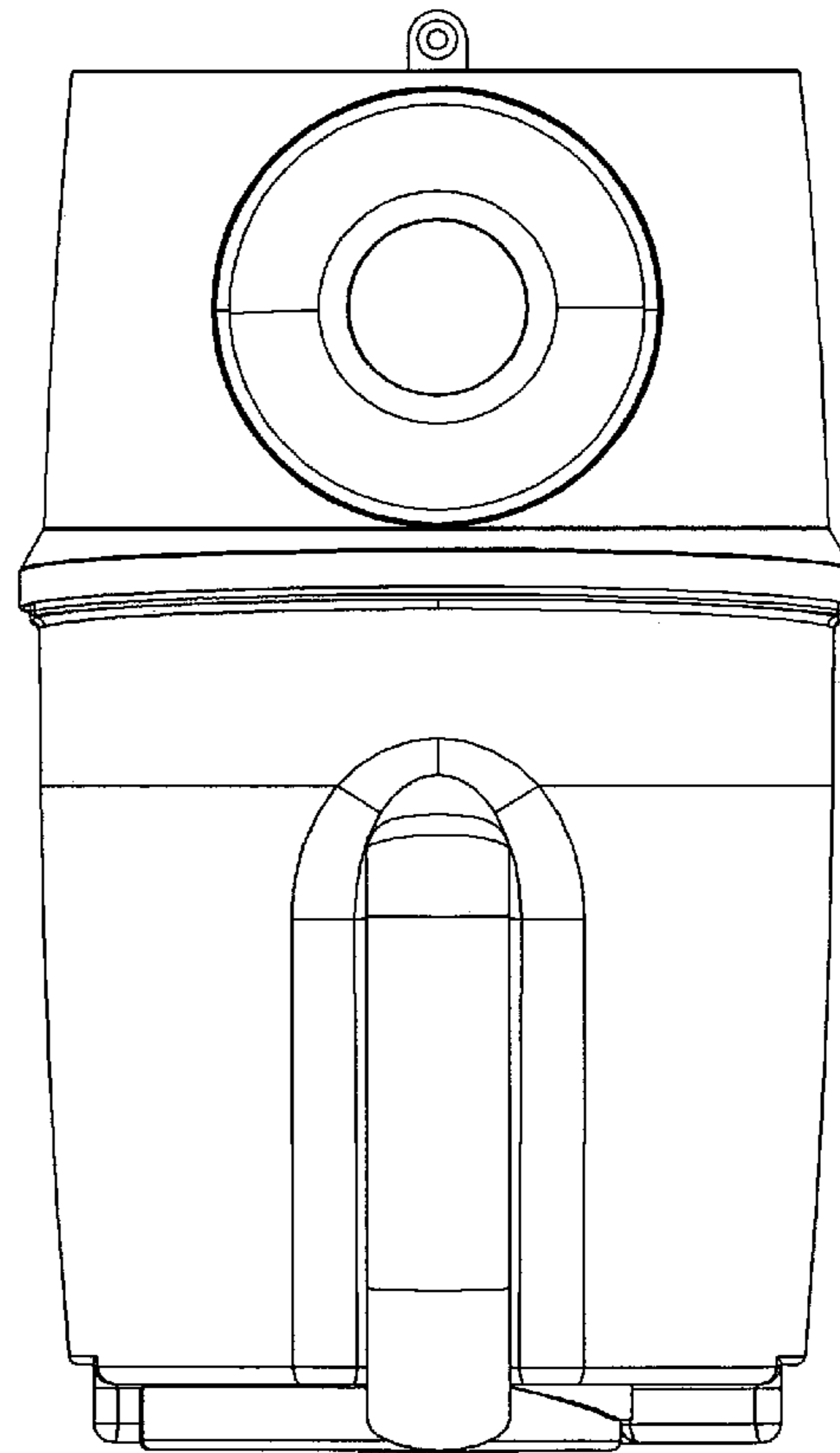
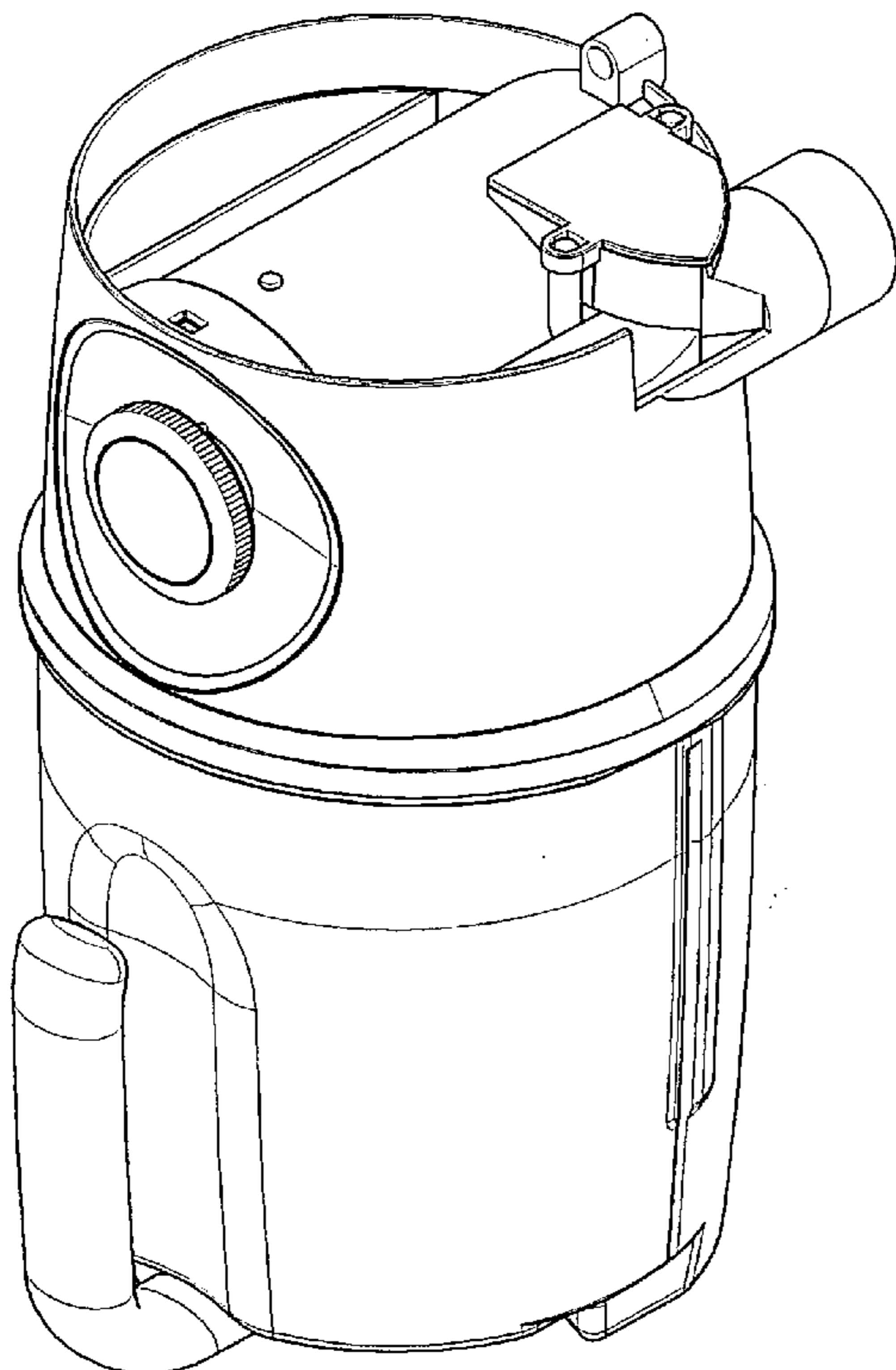
FIG. 4 is a left side view thereof;

FIG. 5 is a right side view thereof;

FIG. 6 is a top plan view thereof; and,

FIG. 7 is a bottom plan view thereof.

1 Claim, 7 Drawing Sheets



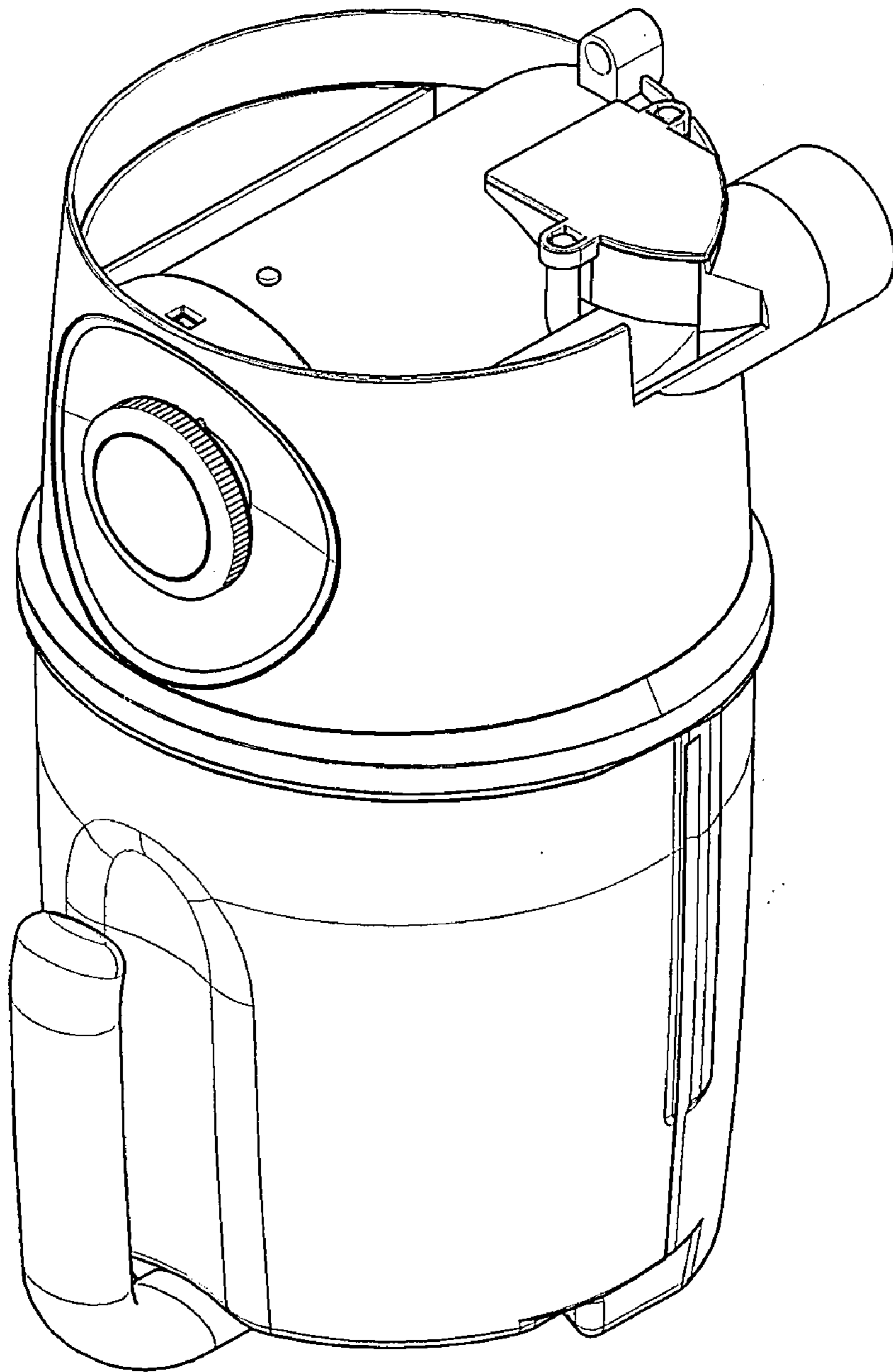


FIG. 1

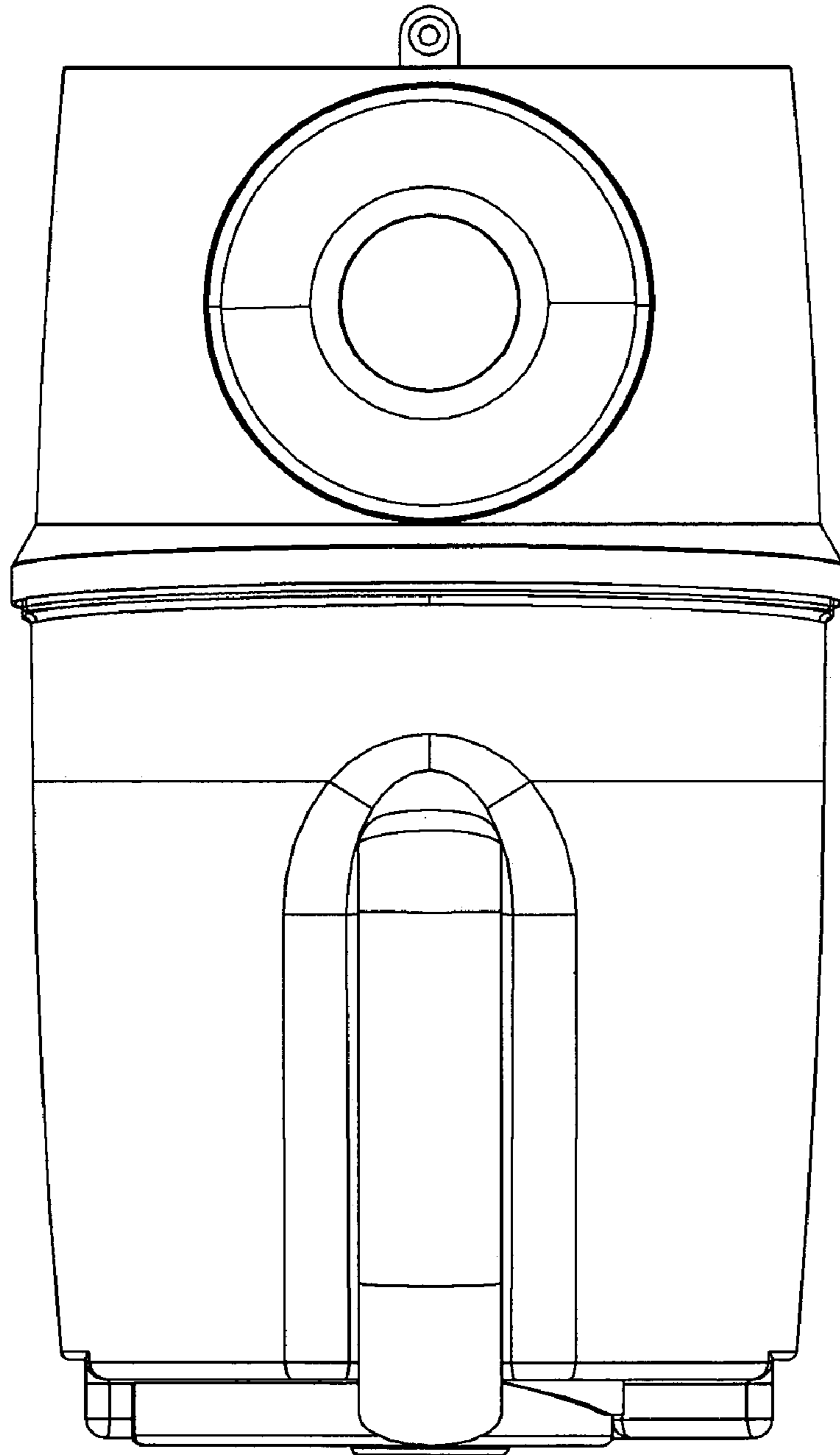


FIG. 2

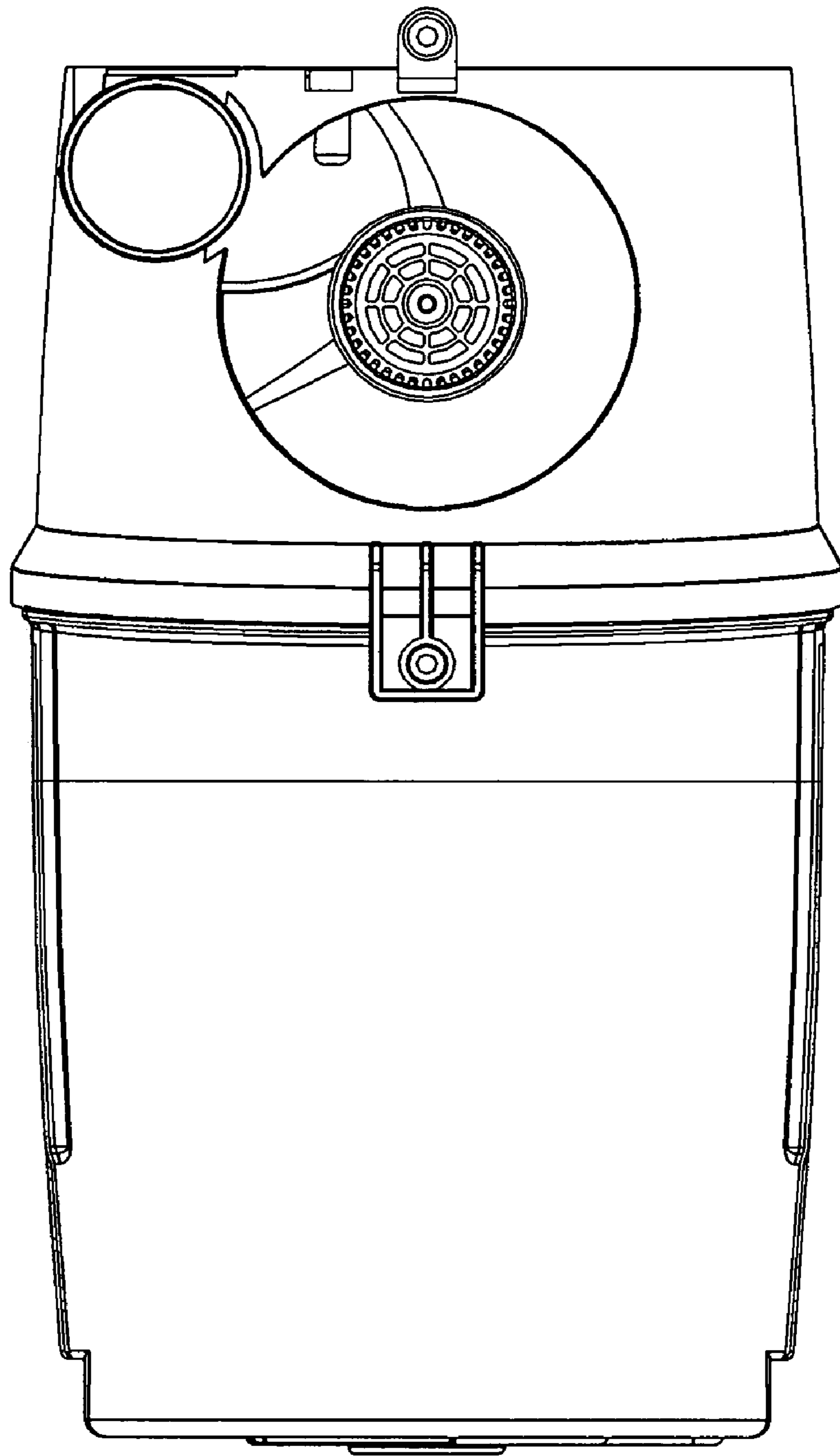


FIG. 3

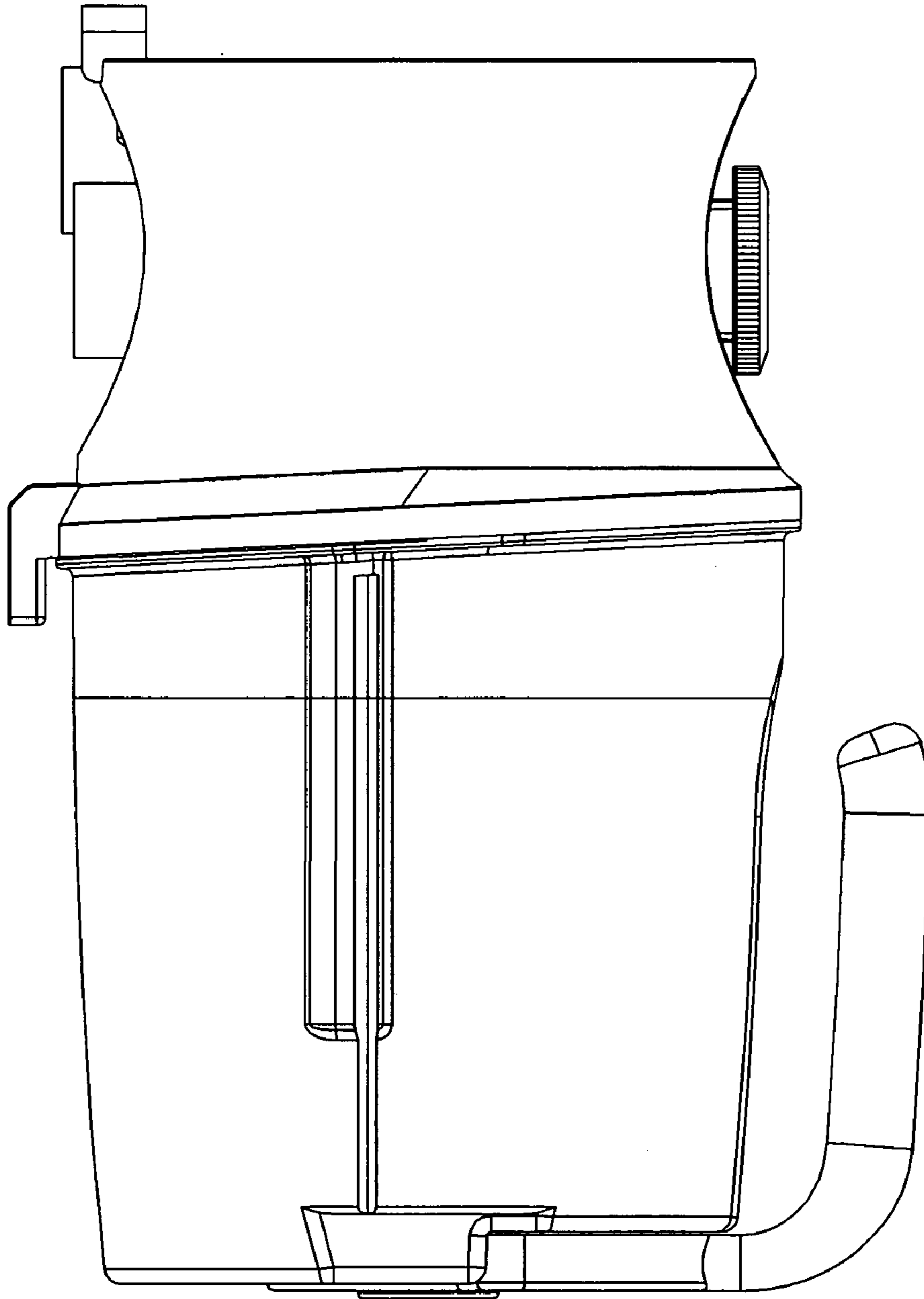


FIG. 4

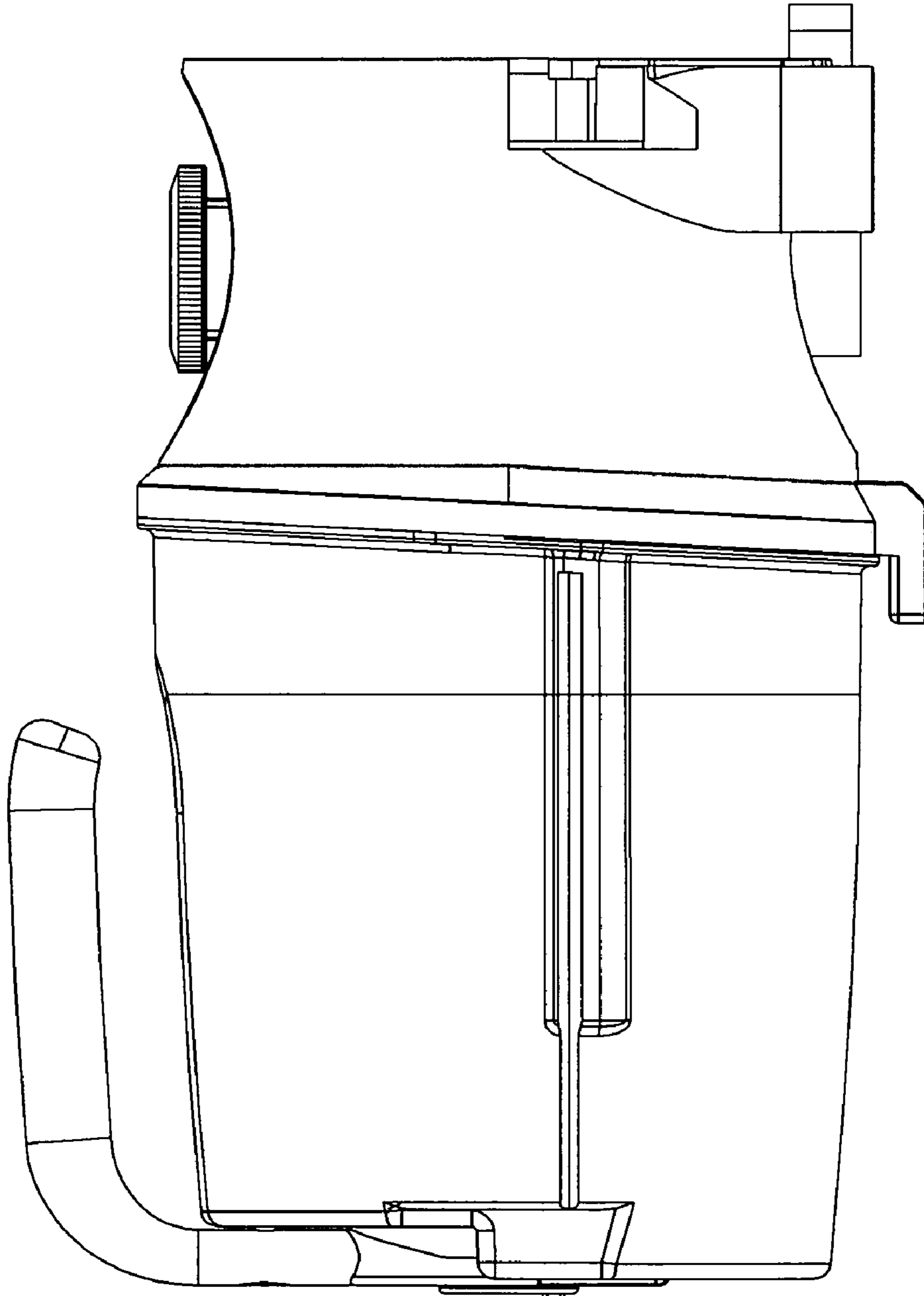


FIG. 5

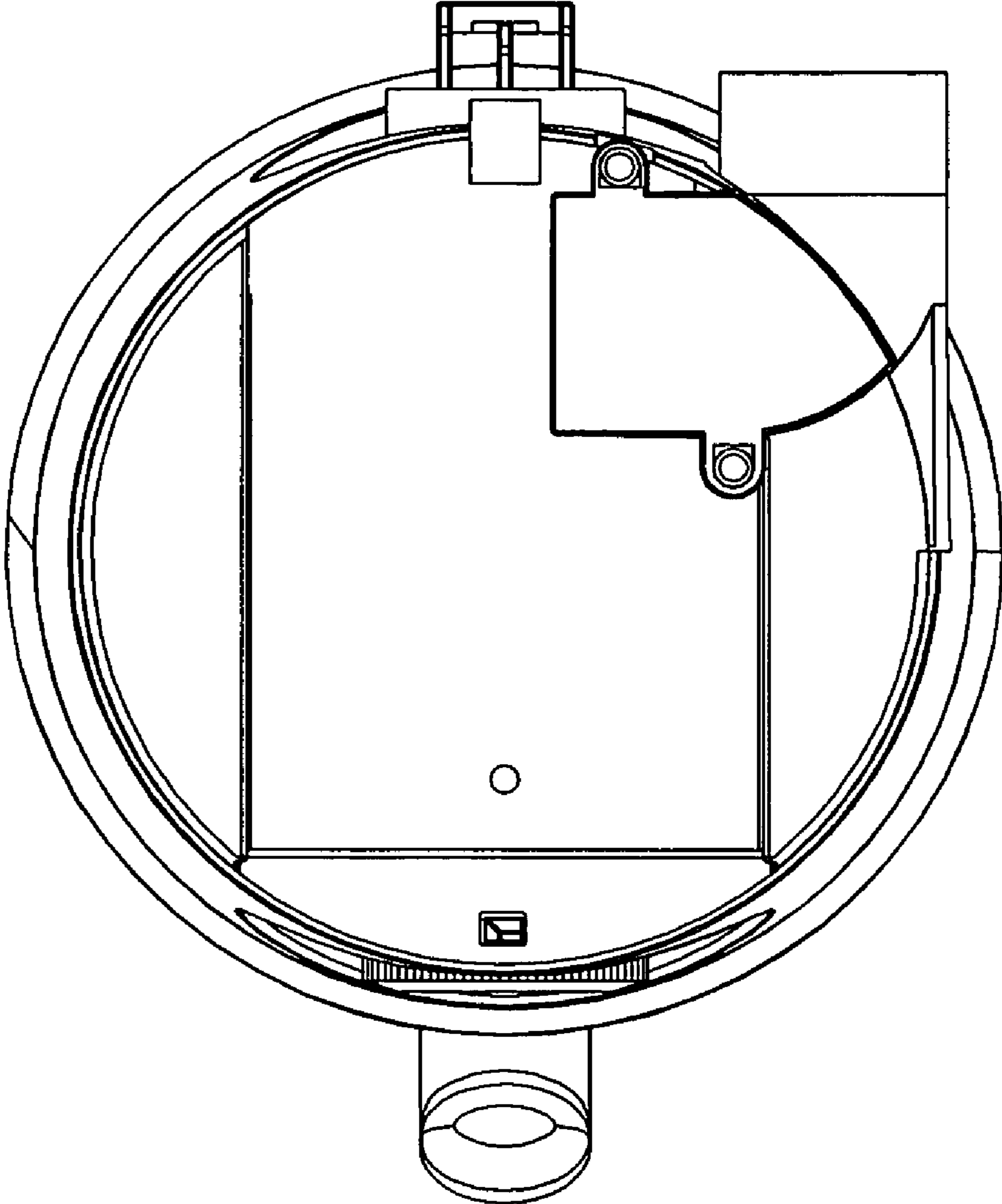


FIG. 6

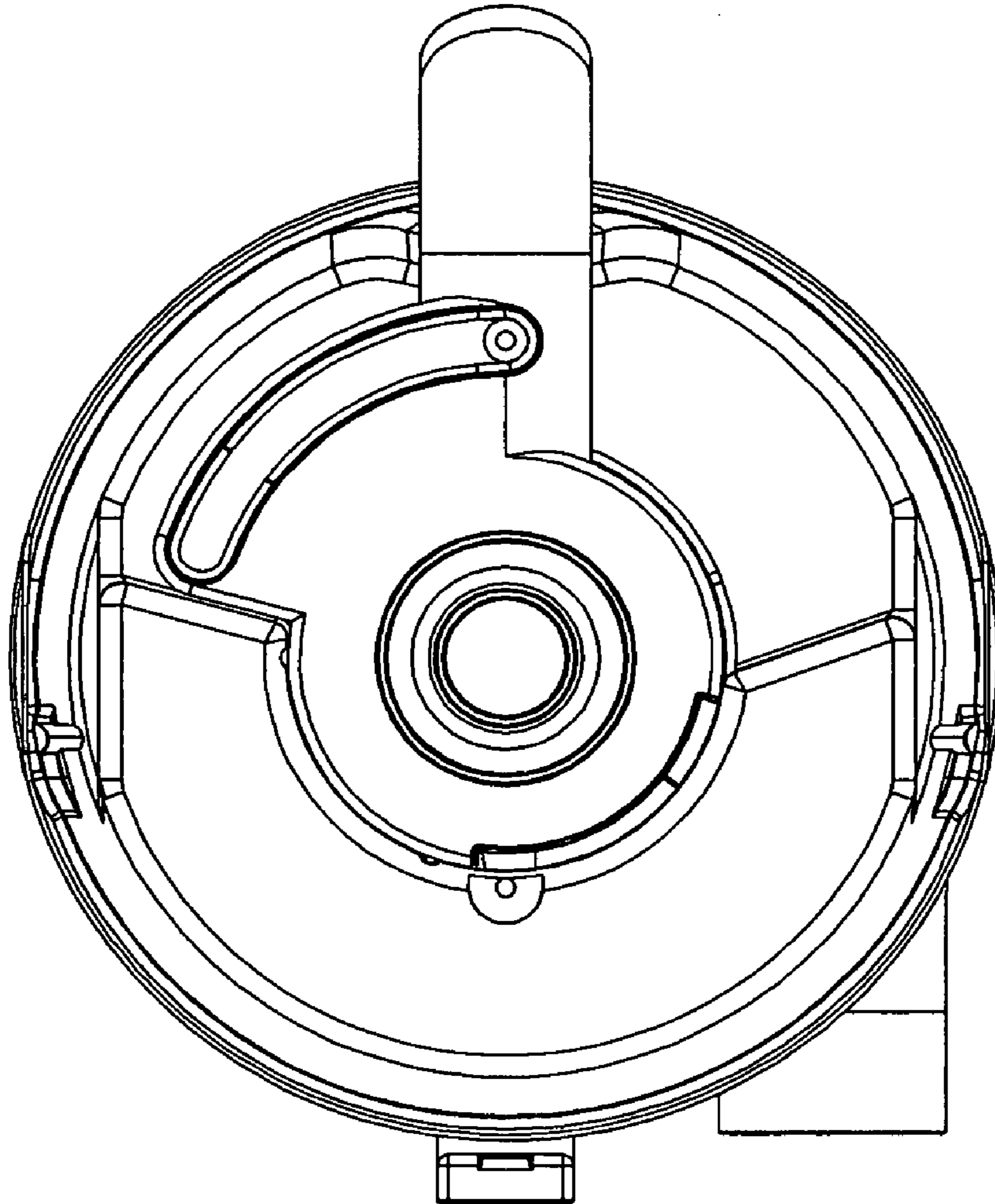


FIG. 7