



US00D581610S

(12) **United States Design Patent**
van der Meijden et al.

(10) **Patent No.:** **US D581,610 S**

(45) **Date of Patent:** **** Nov. 25, 2008**

(54) **POOL CLEANER COMPONENT**

(75) Inventors: **Hendrikus Johannes van der Meijden**,
Midrand (ZA); **Michael Edward Moore**,
Johannesburg (ZA); **Alexis Adrian**
Felipe Wadman, Amstelveen (NL);
Peter Hugh Harrison, Centurion (ZA)

(73) Assignee: **Zodiac Pool Care, Inc.**, Moorpark, CA
(US)

(**) Term: **14 Years**

(21) Appl. No.: **29/295,259**

(22) Filed: **Sep. 25, 2007**

(51) **LOC (8) Cl.** **15-05**

(52) **U.S. Cl.** **D32/25**

(58) **Field of Classification Search** D32/1,
D32/15, 21, 25, 35, 40, 50-52; 210/416.2;
15/1.7, 147.2, 209.1-210.1, 228, 229.3-229.4,
15/229.7-229.8, 244.1, 246, 420; 137/494;
180/116, 119-120; 55/373; 4/496, 507
See application file for complete search history.

(56) **References Cited**

U.S. PATENT DOCUMENTS

D346,888 S * 5/1994 Stone D32/1

* cited by examiner

Primary Examiner—Louis S Zarfaz

Assistant Examiner—Kathleen M Sims

(74) *Attorney, Agent, or Firm*—Dean W. Russell; Michael A.
Bertelson; Kilpatrick Stockton LLP

(57) **CLAIM**

The ornamental design for a pool cleaner component, as
shown and described.

DESCRIPTION

FIG. 1 is a rear elevation view of a pool cleaner component,
showing our new design.

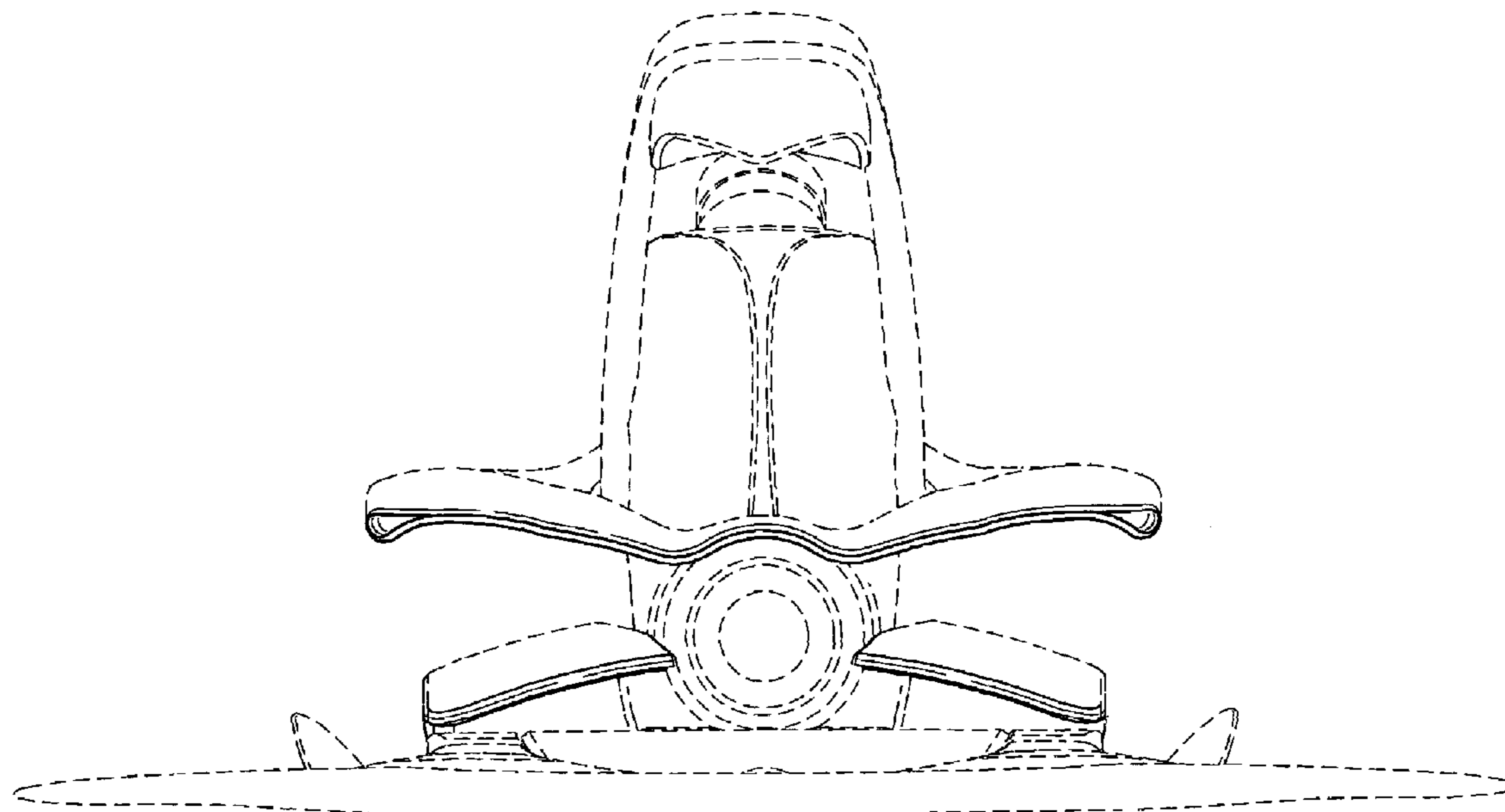
FIG. 2 is a perspective view thereof.

FIG. 3 is a left side elevation view thereof, the right side
elevation view being a mirror image; and,

FIG. 4 shows a top view thereof.

Portions or features of the pool cleaner not shown in the
drawings form no part of the claimed design. The broken line
showing of parts in FIGS. 1-4 is included for the purpose of
illustrating environment of the pool cleaner component and
forms no part of the claimed design.

1 Claim, 4 Drawing Sheets



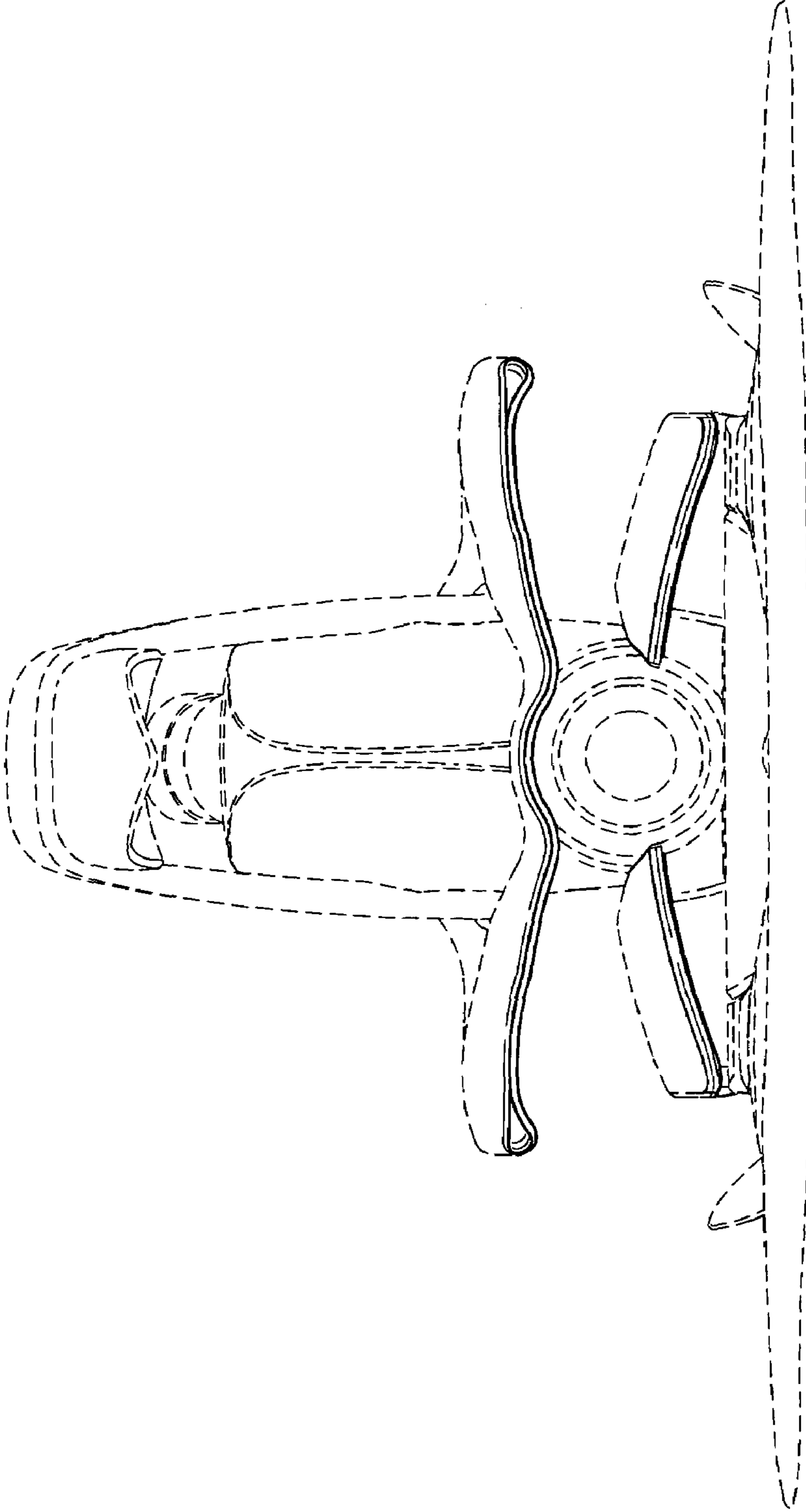


FIG. 1

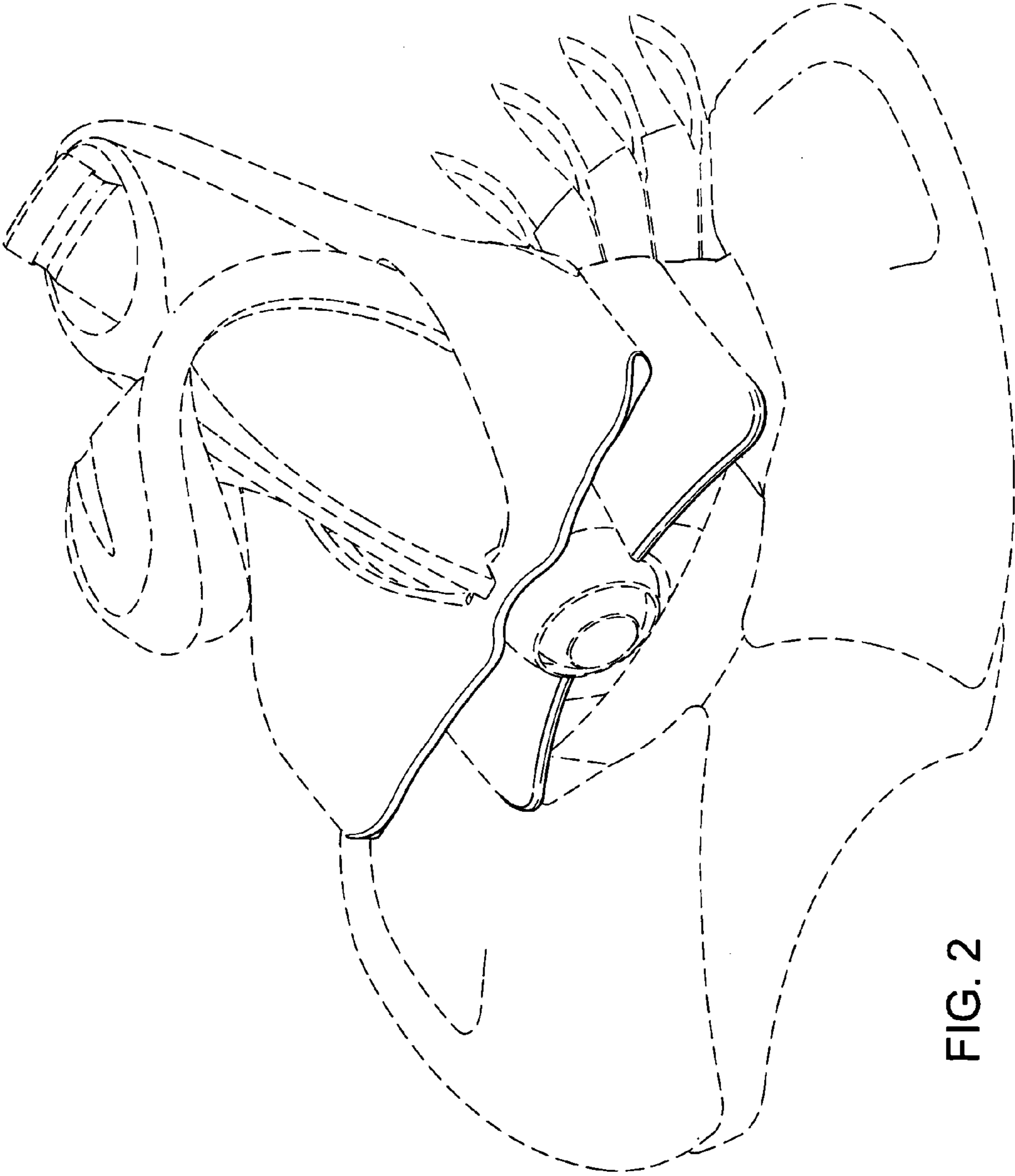


FIG. 2

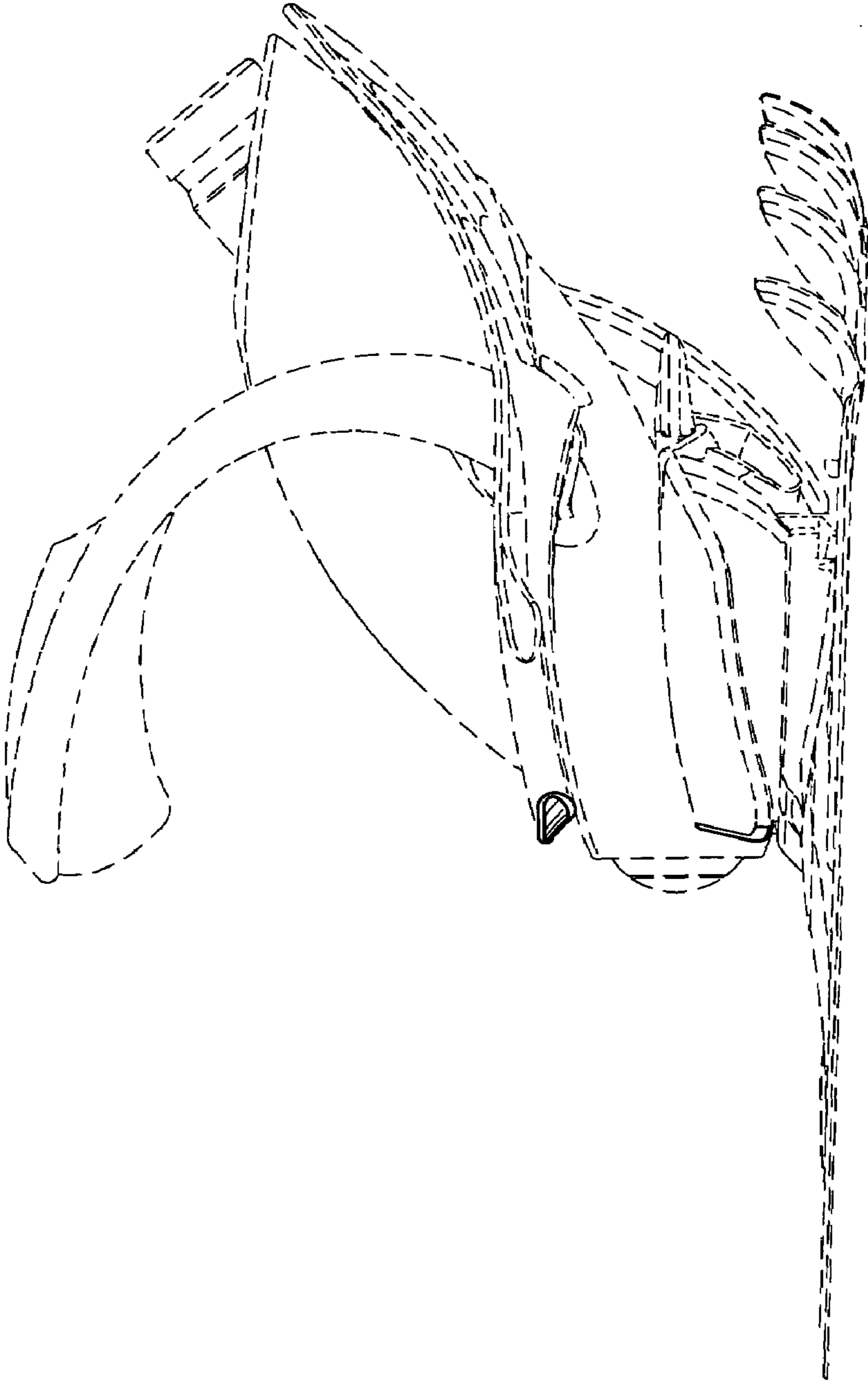


FIG. 3

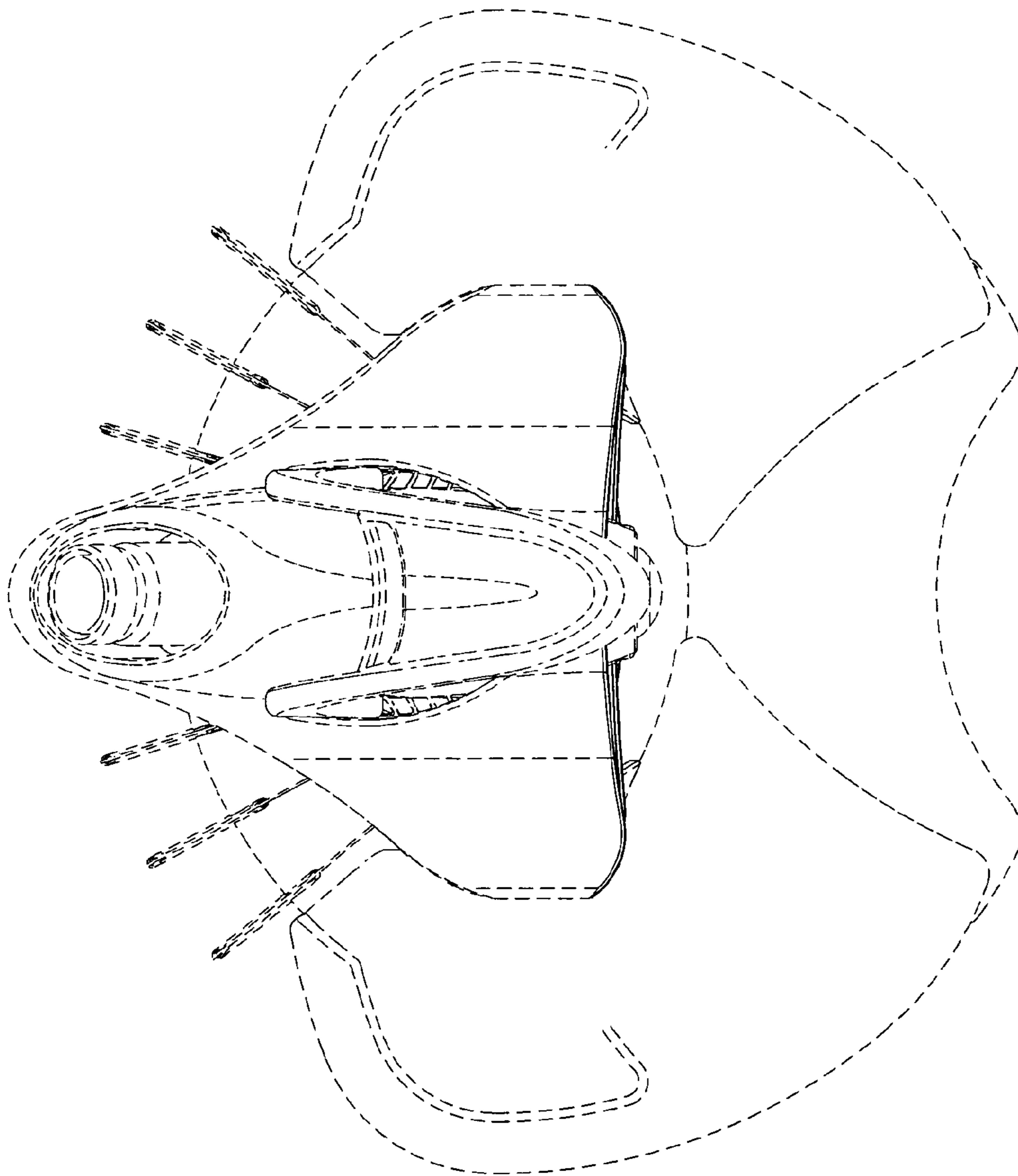


FIG. 4