



US00D581609S

(12) **United States Design Patent**  
**Conrad et al.**

(10) **Patent No.:** **US D581,609 S**  
(45) **Date of Patent:** **\*\* Nov. 25, 2008**

(54) **VACUUM CLEANER**

(75) Inventors: **Wayne Ernest Conrad**, Hampton (CA);  
**Nina Kanevsky Conrad**, Hampton (CA)

(73) Assignee: **G.B.D. Corp.**, Nassau (BM)

(\*\*) Term: **14 Years**

(21) Appl. No.: **29/282,563**

(22) Filed: **Jul. 24, 2007**

(30) **Foreign Application Priority Data**

Jun. 21, 2007 (CA) ..... 121153

(51) **LOC (8) Cl.** ..... **15-05**

(52) **U.S. Cl.** ..... **D32/21**

(58) **Field of Classification Search** ..... D32/21-24,  
D32/31, 34, 16, 30; 15/320-321, 323, 327.1-327.7,  
15/329, 335, 340.2, 351, 353, 361, 410-412,  
15/246.2, 246.5, DIG. 10, 347, 350; 285/7;  
55/DIG. 3, 345, 337, 459.1, 418, 471, 318,  
55/429; 95/271

See application file for complete search history.

(56) **References Cited**

**U.S. PATENT DOCUMENTS**

D325,453 S \* 4/1992 Tsuge ..... D32/21  
D420,474 S \* 2/2000 Auburn ..... D32/21  
6,101,669 A \* 8/2000 Martin et al. .... 15/327.2  
D467,693 S \* 12/2002 Kitts ..... D32/21

D467,694 S \* 12/2002 Kitts ..... D32/21  
D496,764 S \* 9/2004 Lopano ..... D32/21  
D549,904 S \* 8/2007 Eccardt et al. .... D32/21  
D564,154 S \* 3/2008 Hollis et al. .... D32/21

\* cited by examiner

*Primary Examiner*—Ruth McInroy

(74) *Attorney, Agent, or Firm*—Philip C. Mendes da Costa;  
Bereskin & Parr

(57) **CLAIM**

The ornamental design for a vacuum cleaner, as shown.

**DESCRIPTION**

FIG. 1 is a perspective view from the front and the right side of the vacuum cleaner;

FIG. 2 is a perspective view from the rear and the left side of the vacuum cleaner of FIG. 1;

FIG. 3 is an elevation view of the right side vacuum cleaner of FIG. 1;

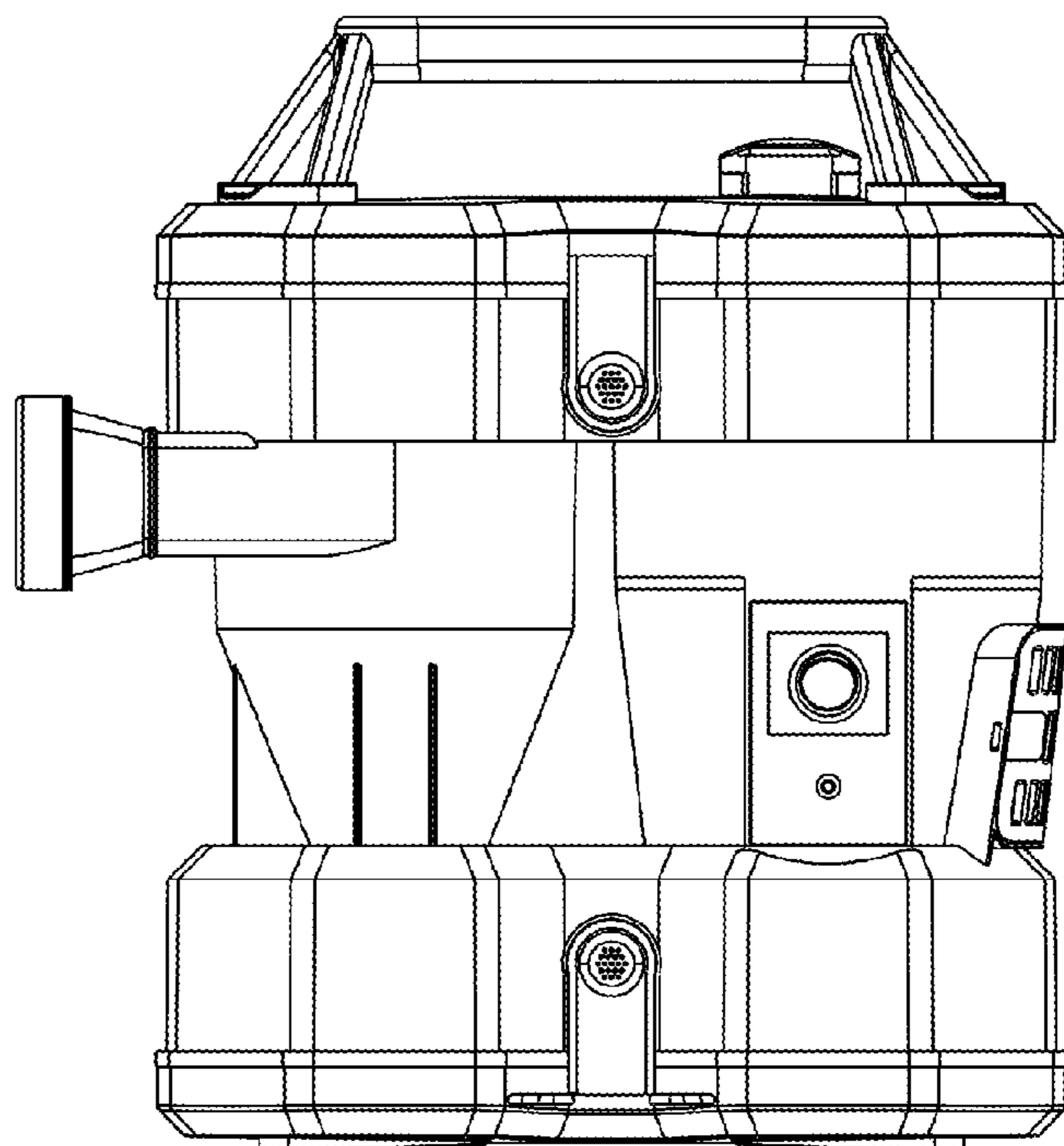
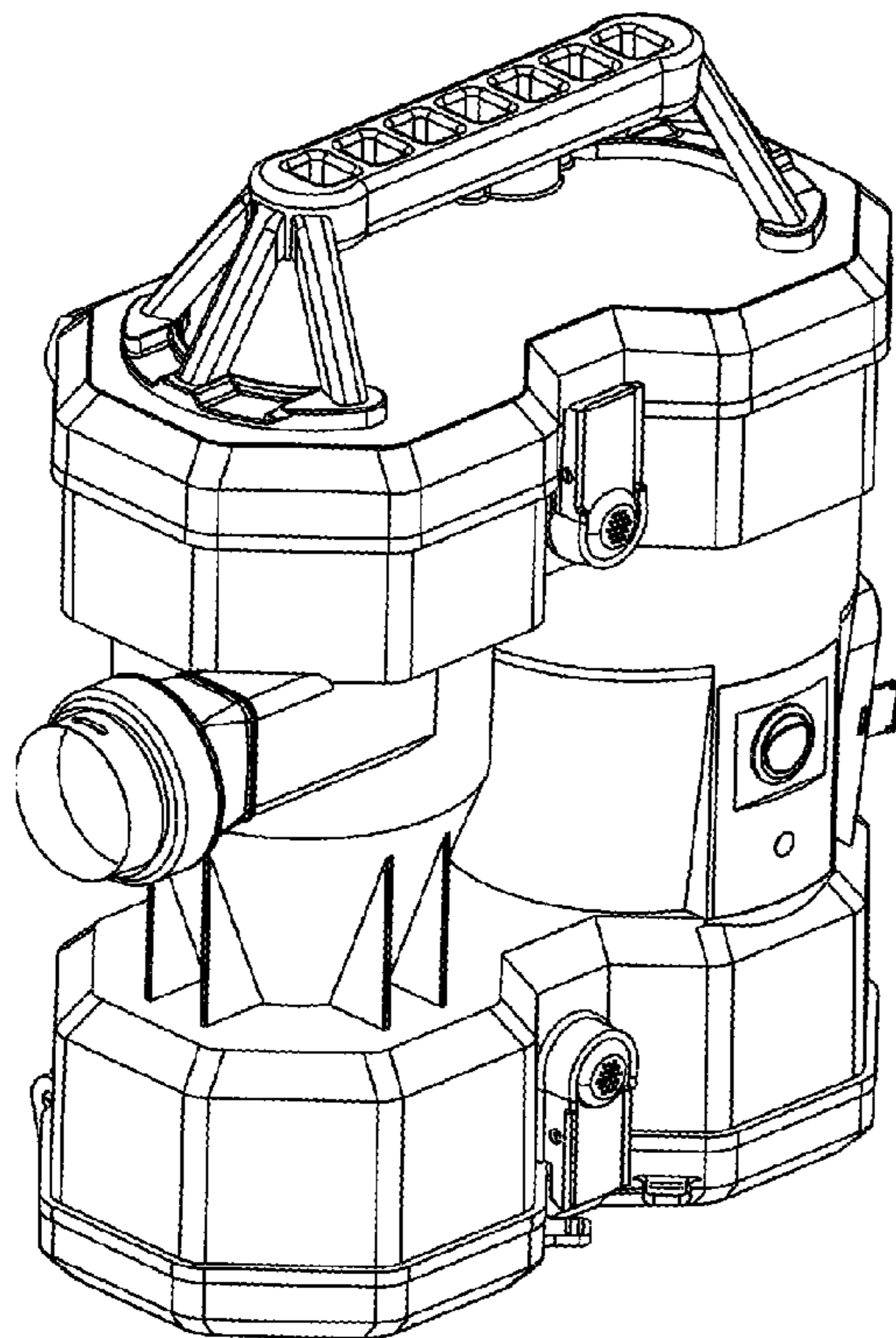
FIG. 4 is an elevation view of the left side of the vacuum cleaner of FIG. 1;

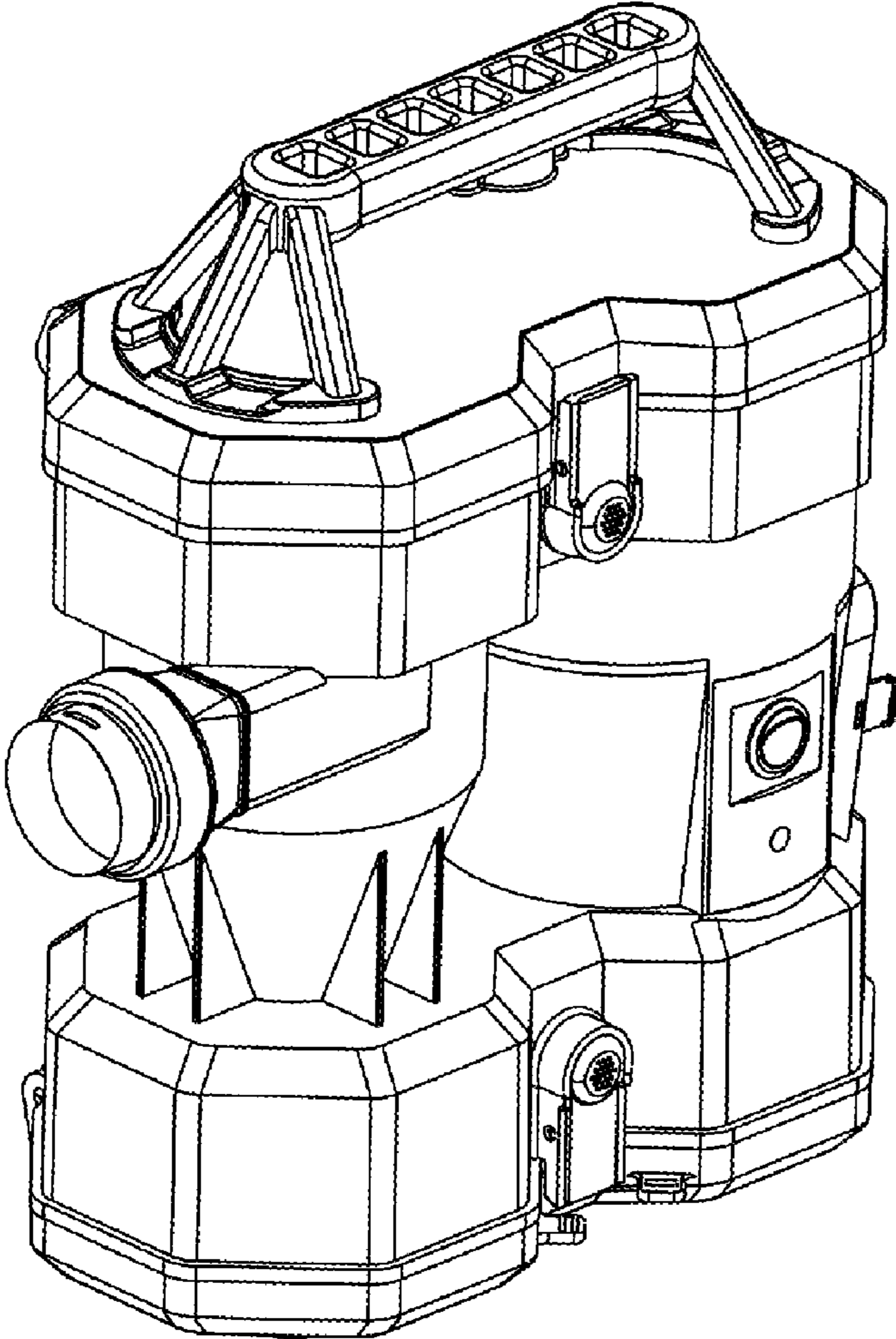
FIG. 5 is a front elevation view of the vacuum cleaner of FIG. 1;

FIG. 6 is a rear elevation view of the vacuum cleaner of FIG. 1;

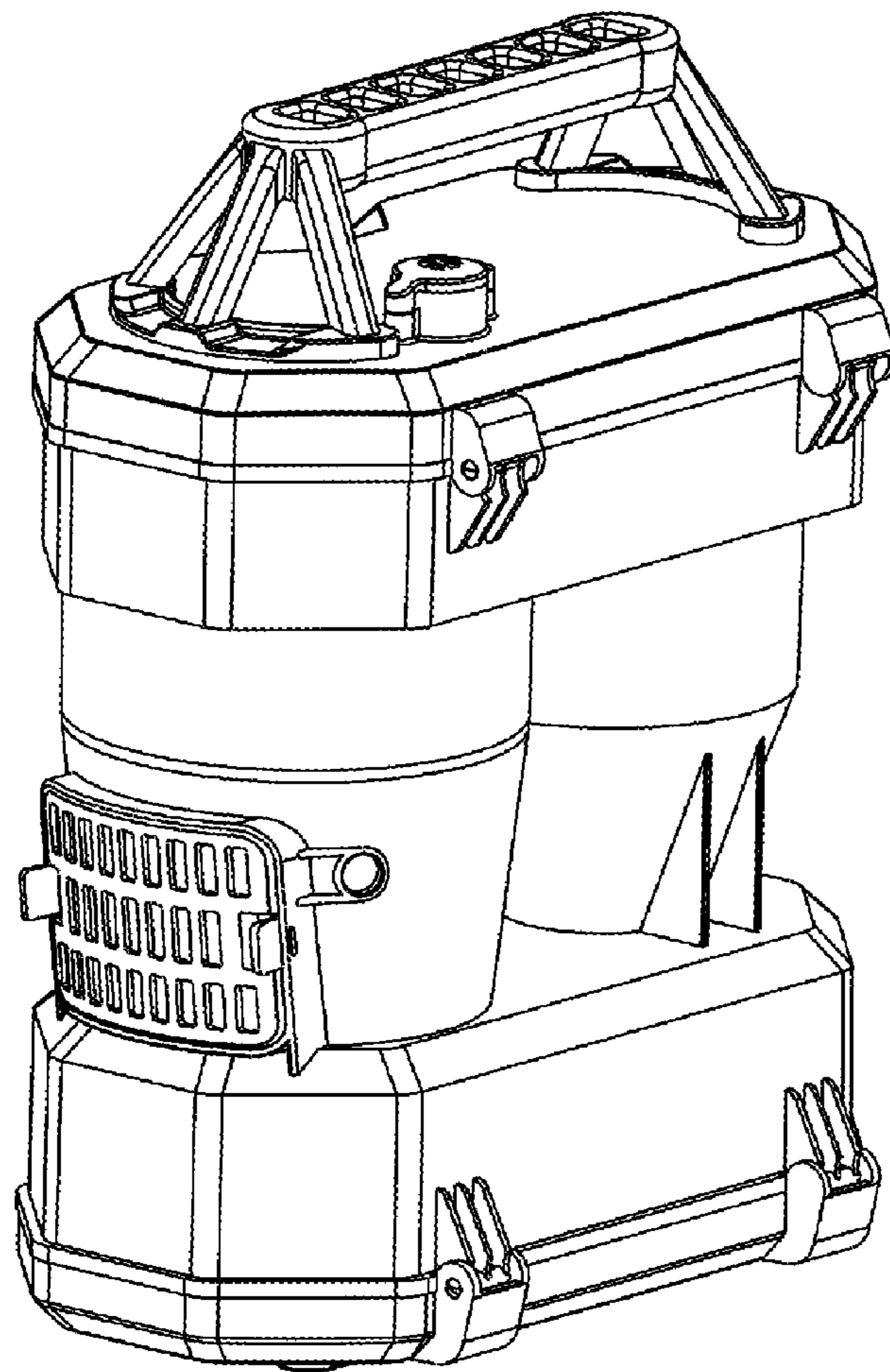
FIG. 7 is a top plan view of the vacuum cleaner of FIG. 1; and,  
FIG. 8 is a bottom plan view of the vacuum cleaner of FIG. 1.

**1 Claim, 6 Drawing Sheets**

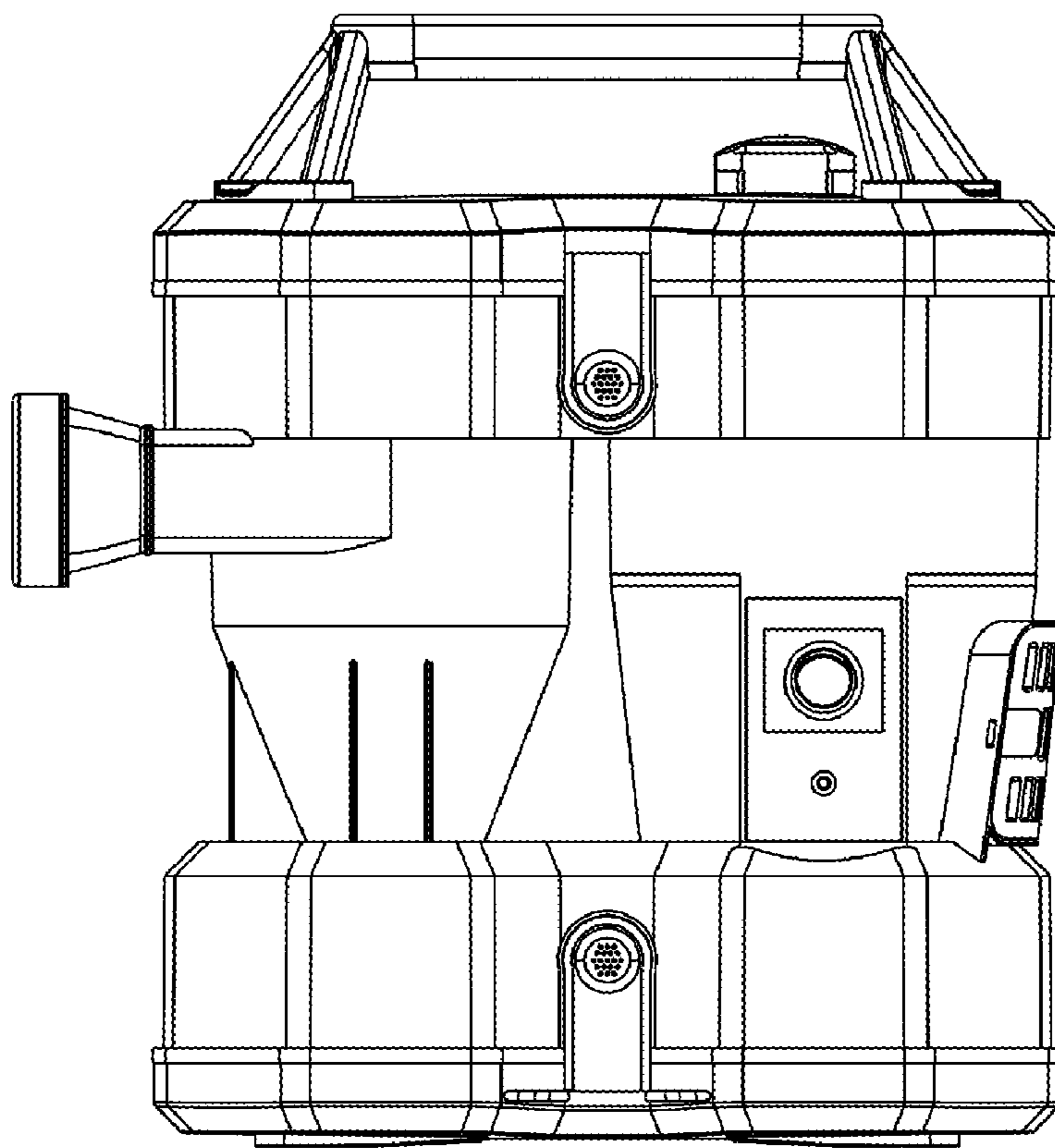




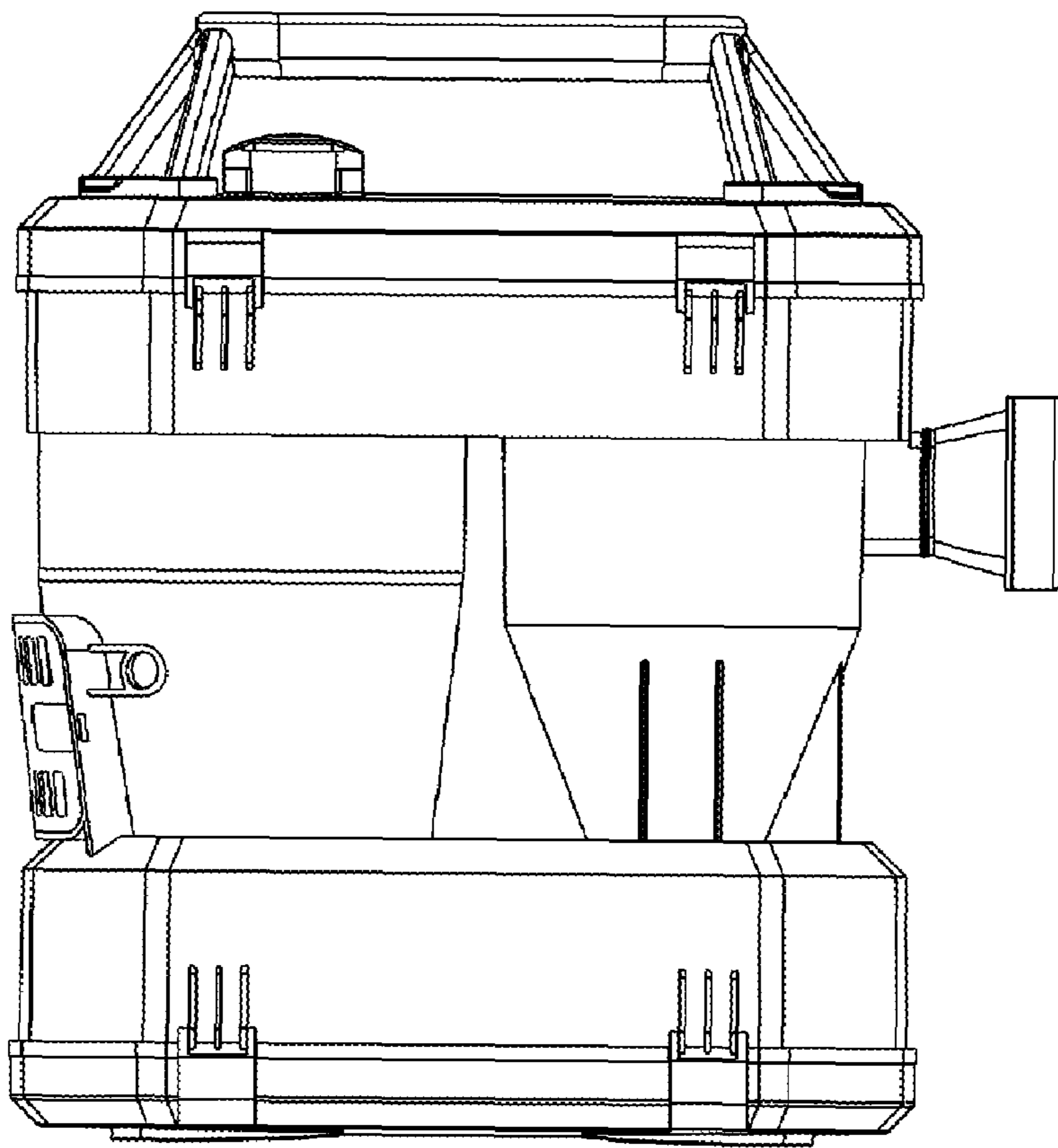
*Fig 1.*



*Fig 2.*

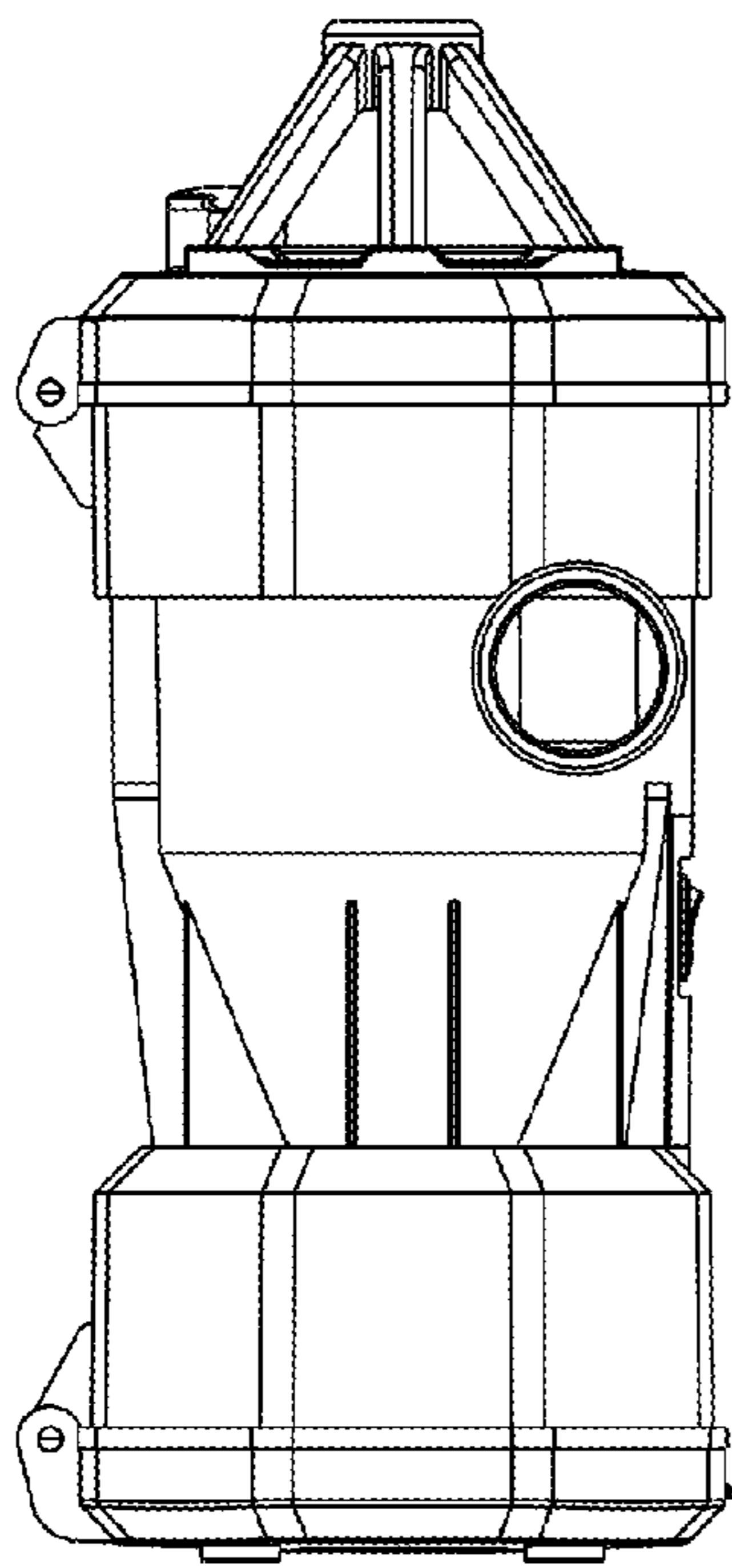


*Fig 3.*

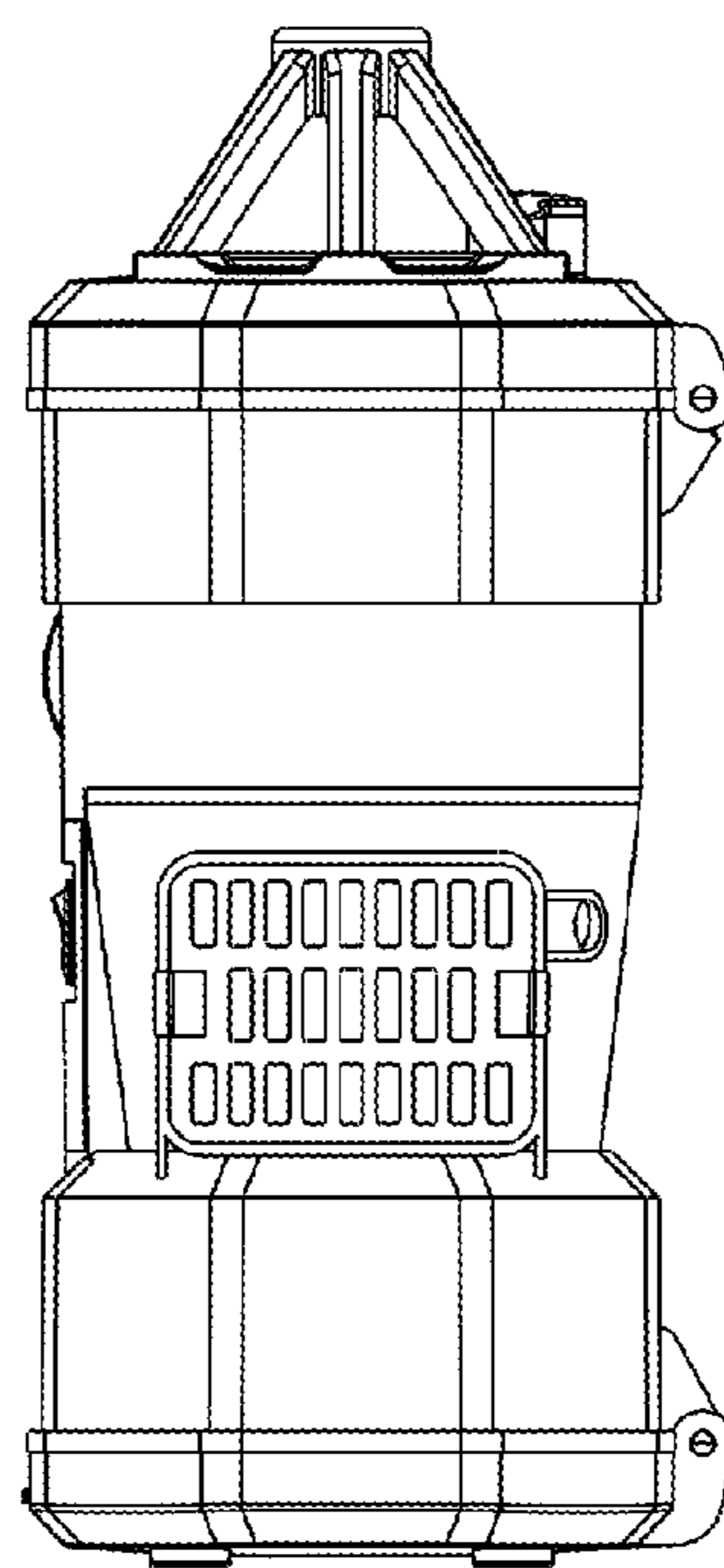


*Fig 4.*

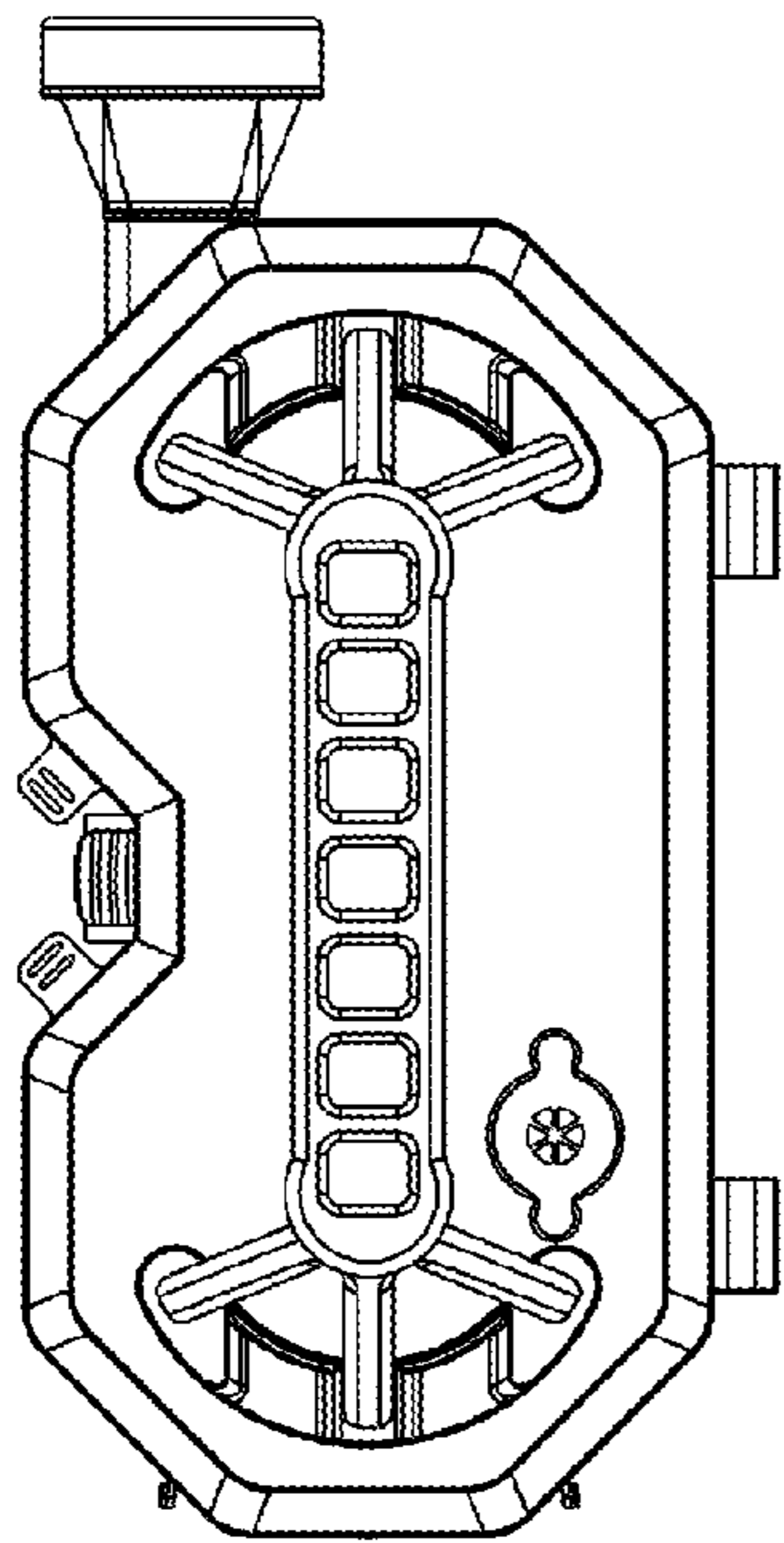




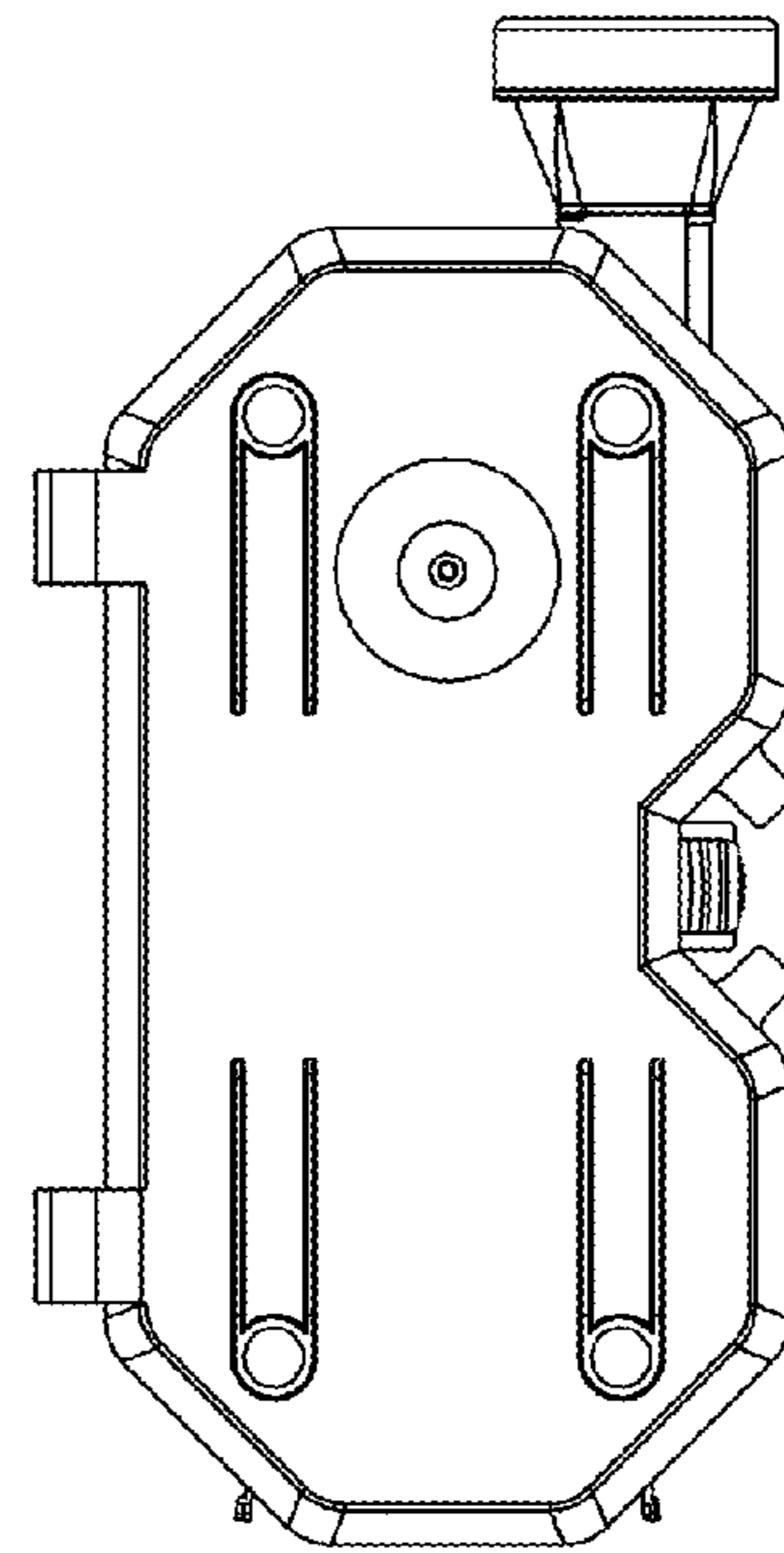
*Fig 5.*



*Fig 6.*



*Fig 7.*



*Fig 8.*