



US00D581608S

(12) **United States Design Patent**  
**Dammkoehler et al.**

(10) **Patent No.:** **US D581,608 S**

(45) **Date of Patent:** **\*\* Nov. 25, 2008**

(54) **VACUUM CLEANER**

(75) Inventors: **Denis Dammkoehler**, Backnang (DE);  
**Christian Rummel**, Benningen a.N.  
(DE)

(73) Assignee: **Alfred Kaercher GmbH & Co. KG**,  
Winnenden (DE)

(\*\*) Term: **14 Years**

(21) Appl. No.: **29/270,857**

(22) Filed: **Jan. 3, 2007**

(30) **Foreign Application Priority Data**

Jul. 6, 2006 (EM) ..... 000556568

(51) **LOC (8) Cl.** ..... **15-05**

(52) **U.S. Cl.** ..... **D32/21**

(58) **Field of Classification Search** ..... D32/21-24,  
D32/31, 34, 16, 30; 15/320-321, 323, 327.1-327.7,  
15/329, 335, 340.2, 351, 353, 361, 410-412,  
15/246.2, 246.5, DIG. 10, 347, 350; 285/7;  
55/DIG. 3, 345, 337, 459.1, 418, 471, 318,  
55/429; 95/271

See application file for complete search history.

(56) **References Cited**

**U.S. PATENT DOCUMENTS**

- D333,195 S \* 2/1993 Oberdorfer-Bogel ..... D32/23
- D333,890 S \* 3/1993 Oberdorfer-Bogel ..... D32/23
- D334,258 S \* 3/1993 Oberdorfer-Bogel ..... D32/23
- D380,070 S \* 6/1997 Shero ..... D32/23
- D422,286 S \* 4/2000 Choi et al. .... D15/81
- D446,612 S \* 8/2001 Kohler ..... D32/21
- D528,718 S \* 9/2006 Tomasiak et al. .... D32/21

D568,013 S \* 4/2008 Crevling et al. .... D32/23  
2008/0115312 A1 \* 5/2008 DiPasquale et al. .... 15/327.2

**OTHER PUBLICATIONS**

Extract from catalog of Alfred Kaercher GmbH & Co. KG,  
"Programme 2005", cover and pp. 129-134 (2005).

\* cited by examiner

*Primary Examiner*—Ruth McInroy

(74) *Attorney, Agent, or Firm*—Lipsitz & McAllister, LLC

(57) **CLAIM**

The ornamental design for vacuum cleaner, as shown and described.

**DESCRIPTION**

FIG. 1 is a front, top and right side perspective view of a vacuum cleaner showing our new design;

FIG. 2 is a top plan view thereof;

FIG. 3 is a front elevational view thereof;

FIG. 4 is a right side elevational view thereof;

FIG. 5 is a left side elevational view thereof;

FIG. 6 is a rear elevational view thereof;

FIG. 7 is a bottom plan view thereof;

FIG. 8 is a front, top and right side perspective view of a second embodiment thereof;

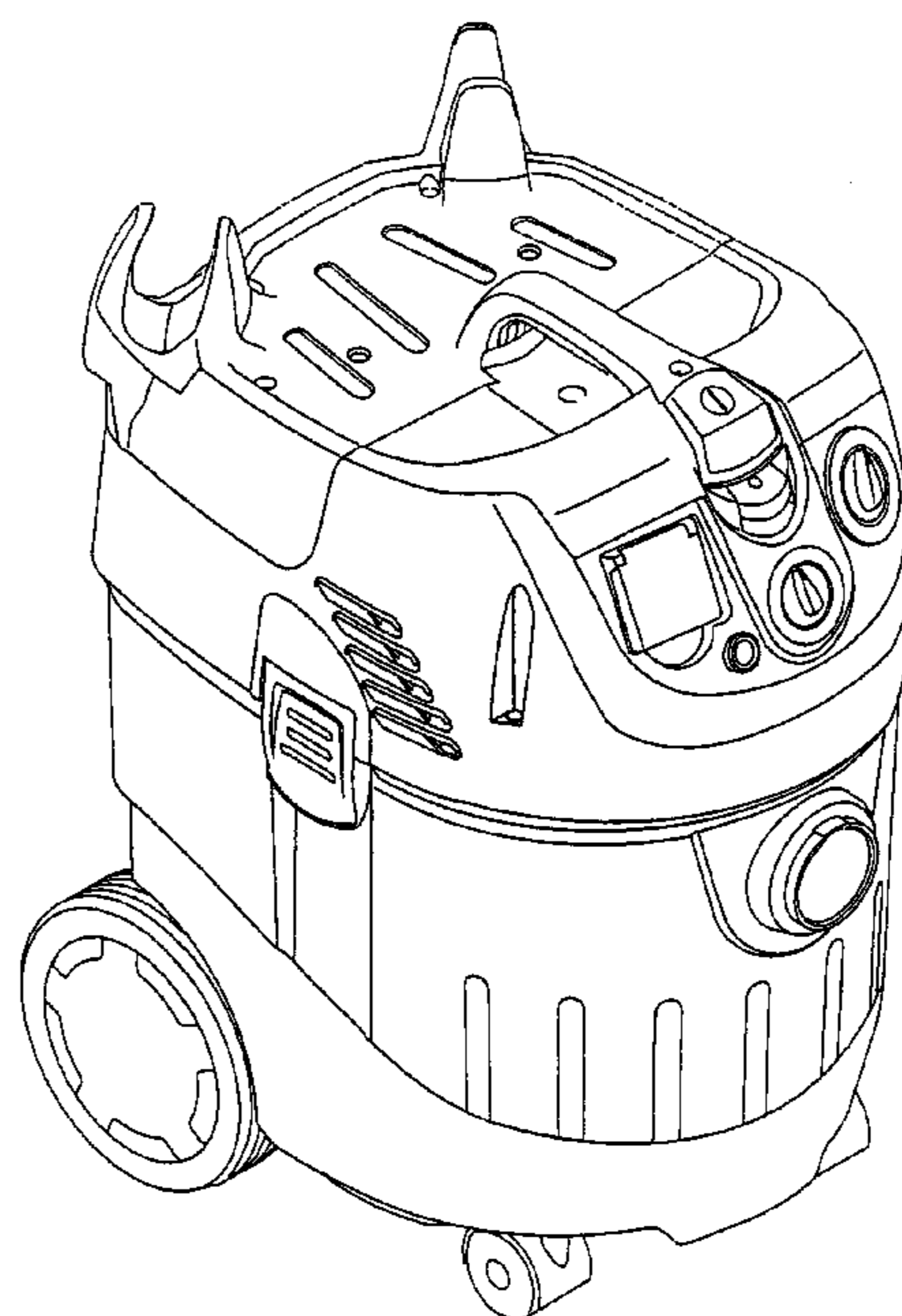
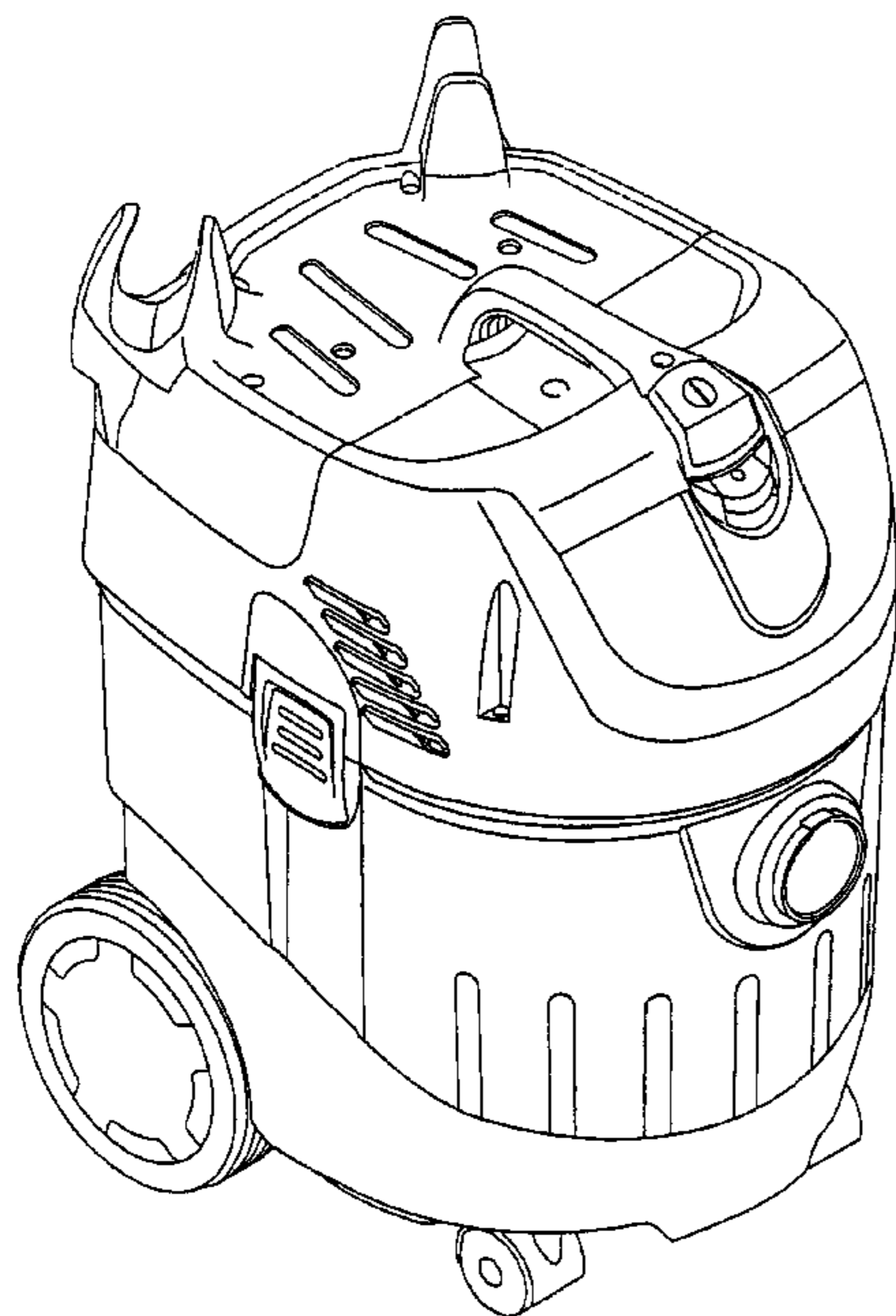
FIG. 9 is a top plan view of FIG. 8; the undisclosed bottom view being the same as FIG. 7;

FIG. 10 is a front elevational view of FIG. 8; the undisclosed rear view being the same as FIG. 6;

FIG. 11 is a right side elevational view of FIG. 8; and,

FIG. 12 is a left side elevational view of FIG. 8.

**1 Claim, 12 Drawing Sheets**



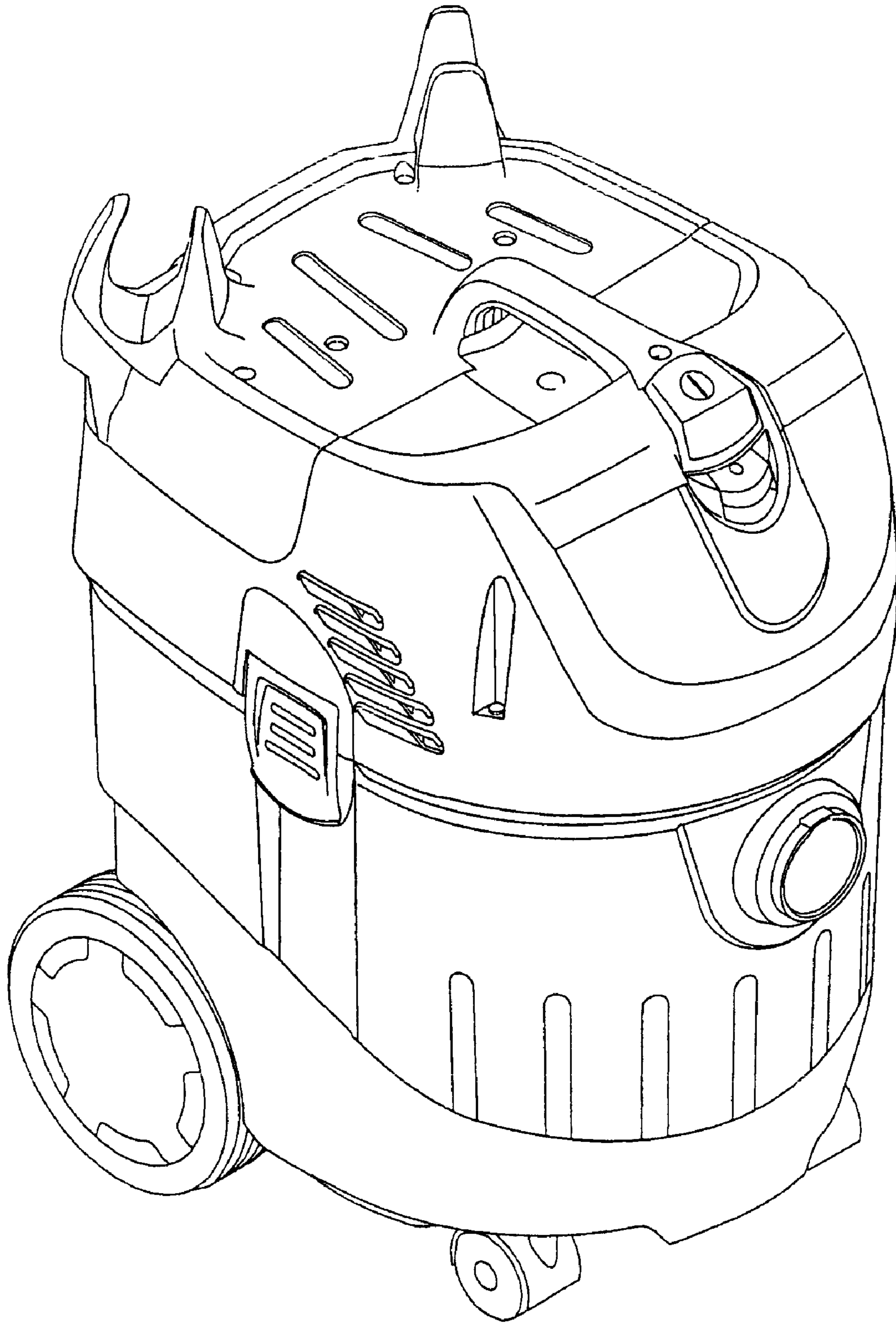


FIG. 1

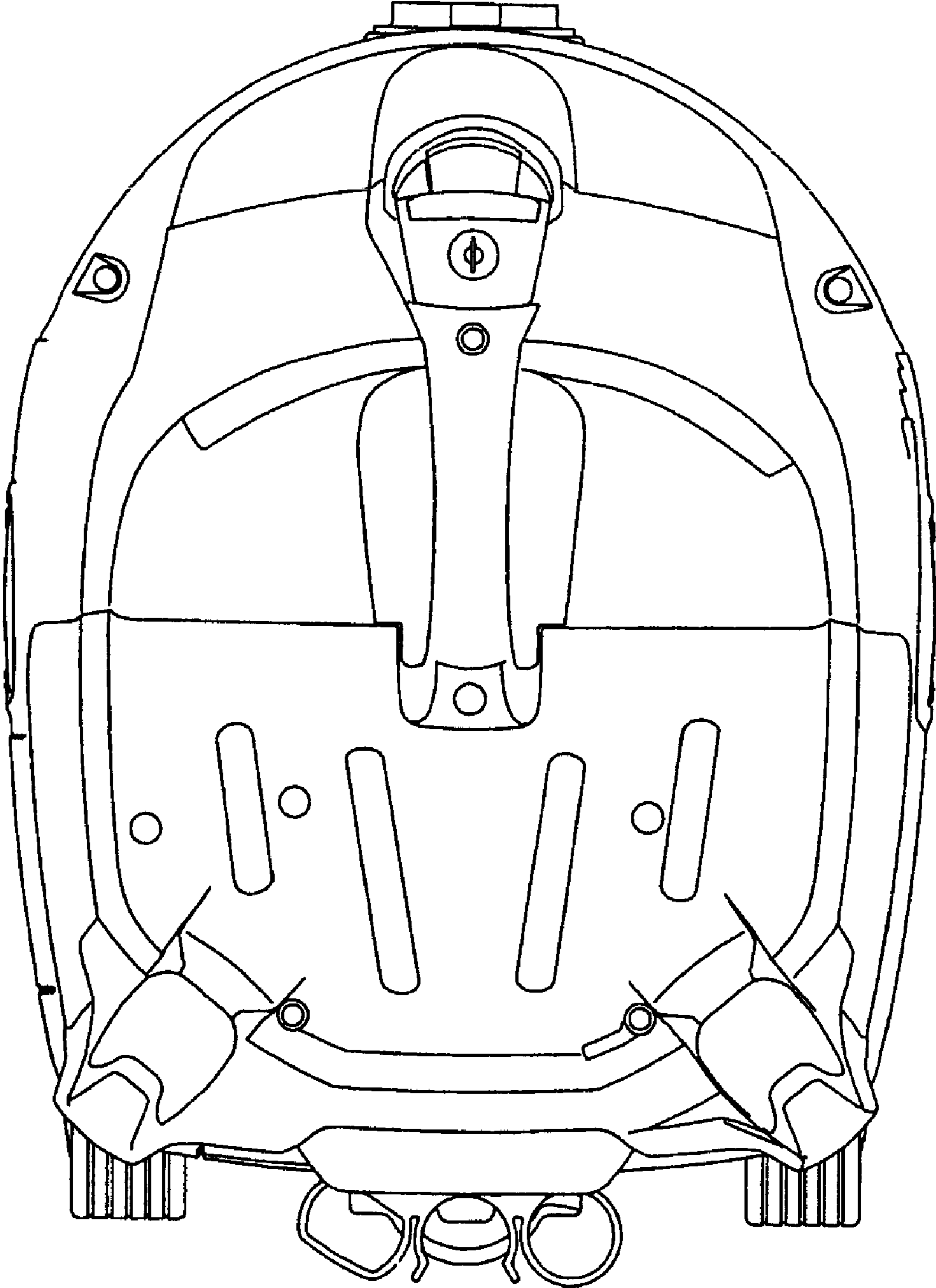


FIG.2

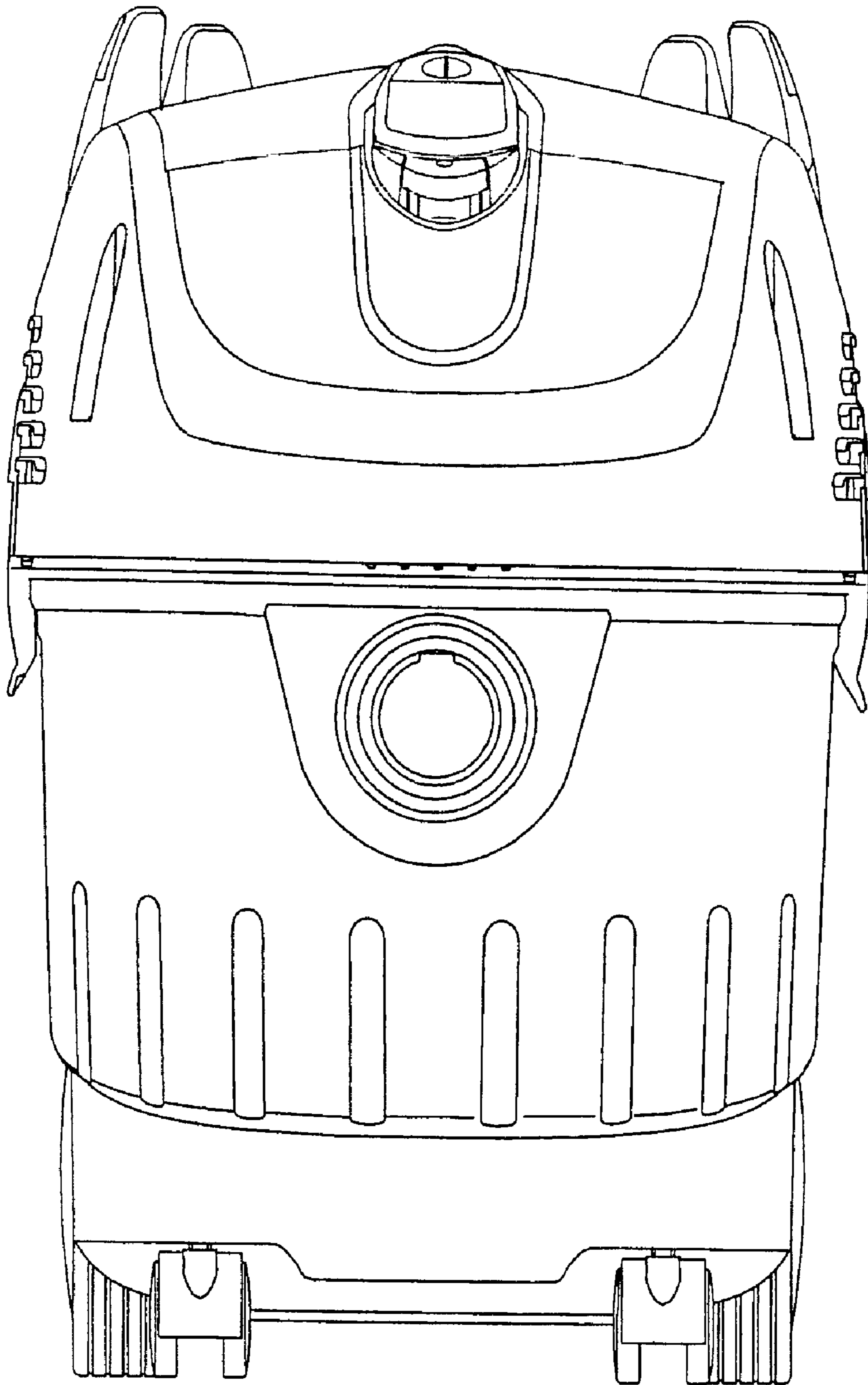


FIG. 3

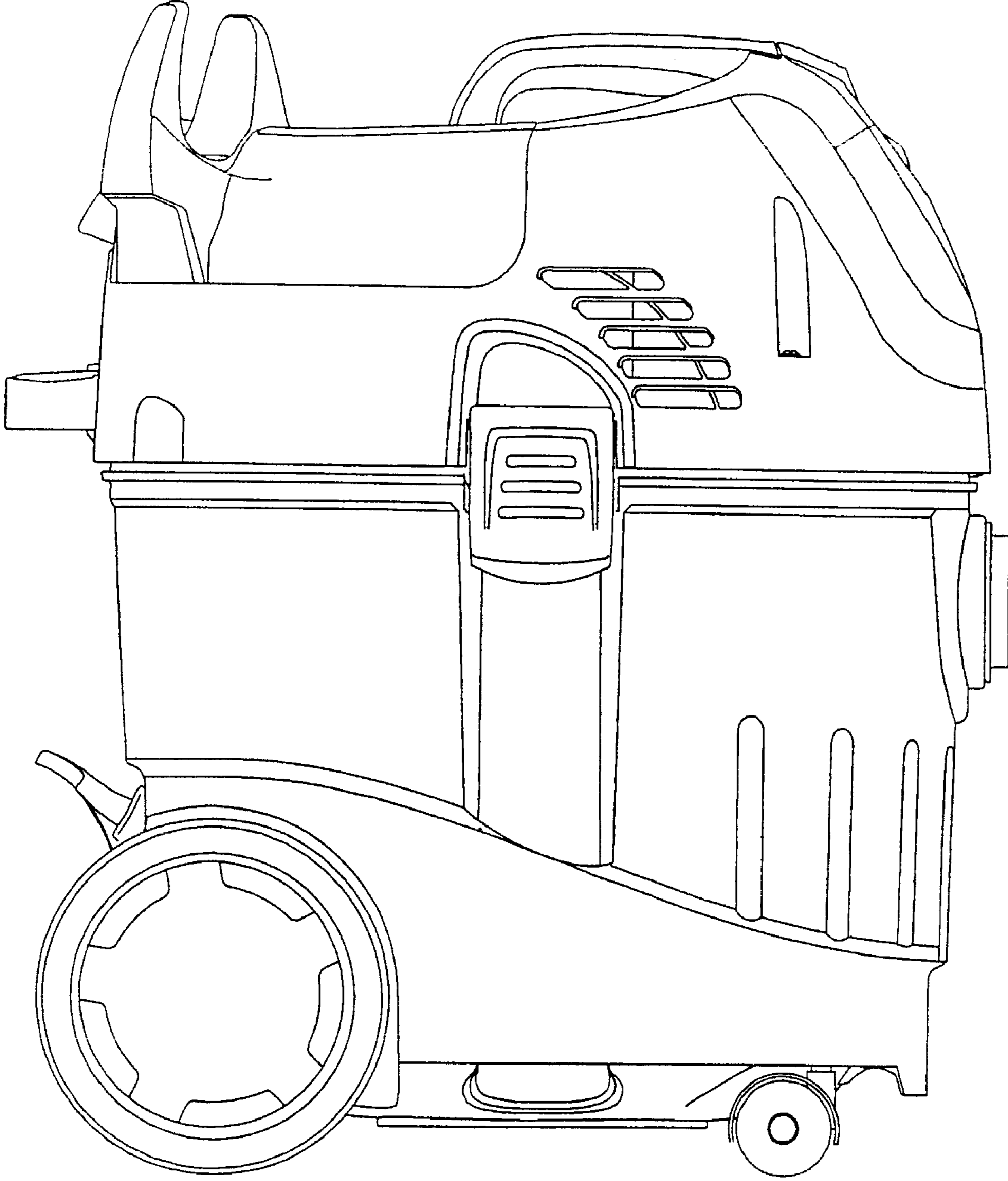


FIG.4

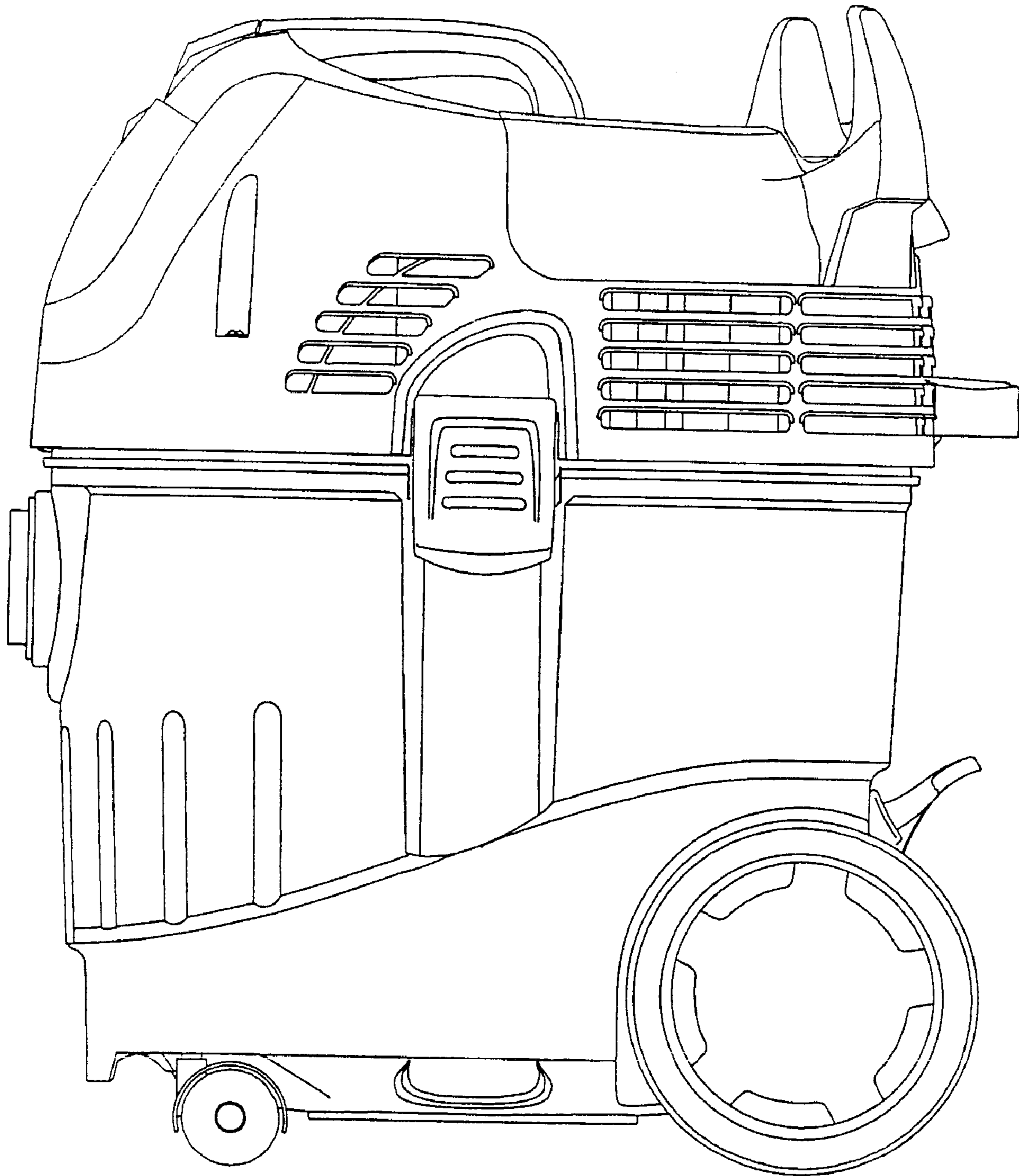


FIG.5

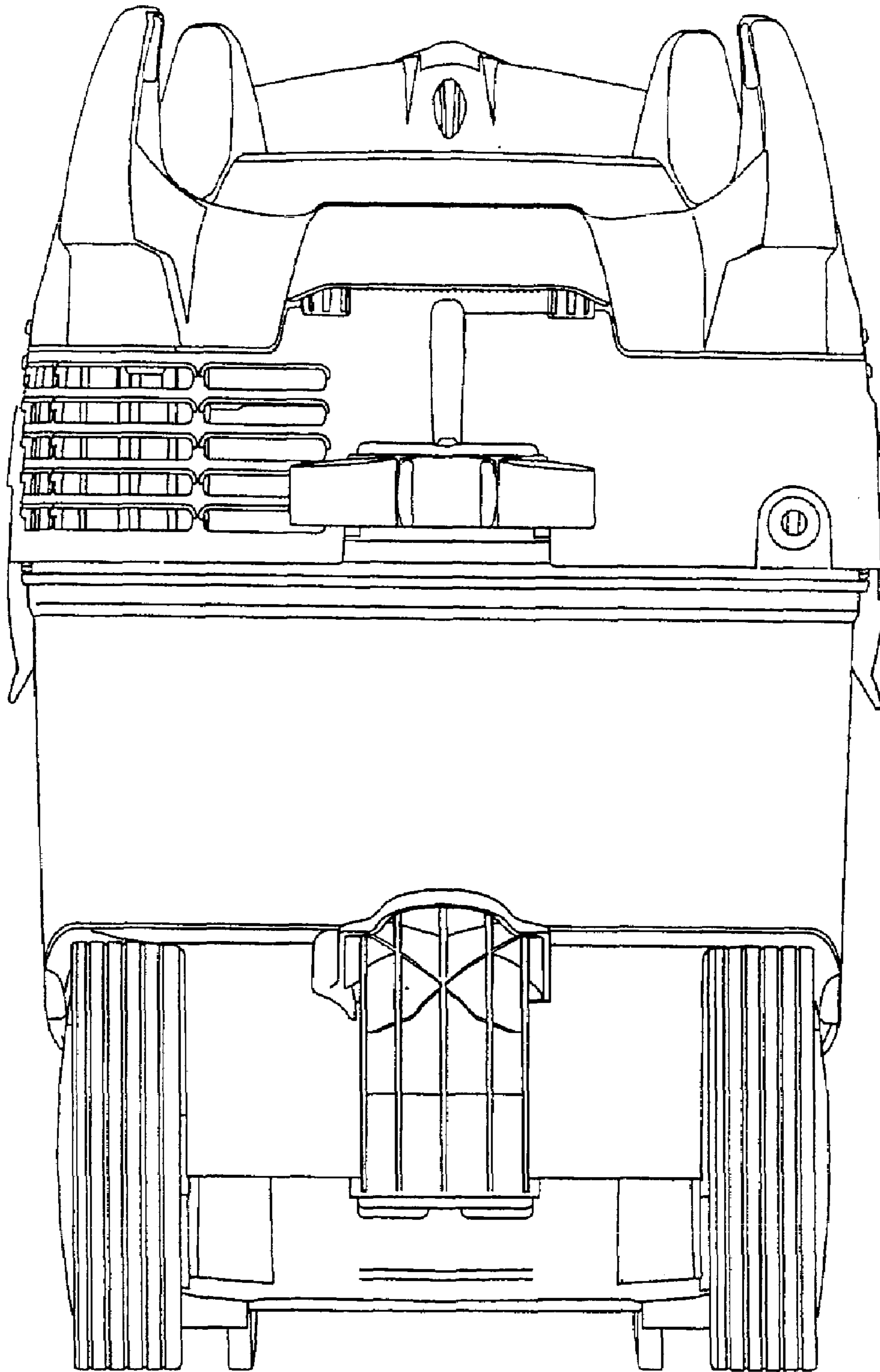


FIG. 6

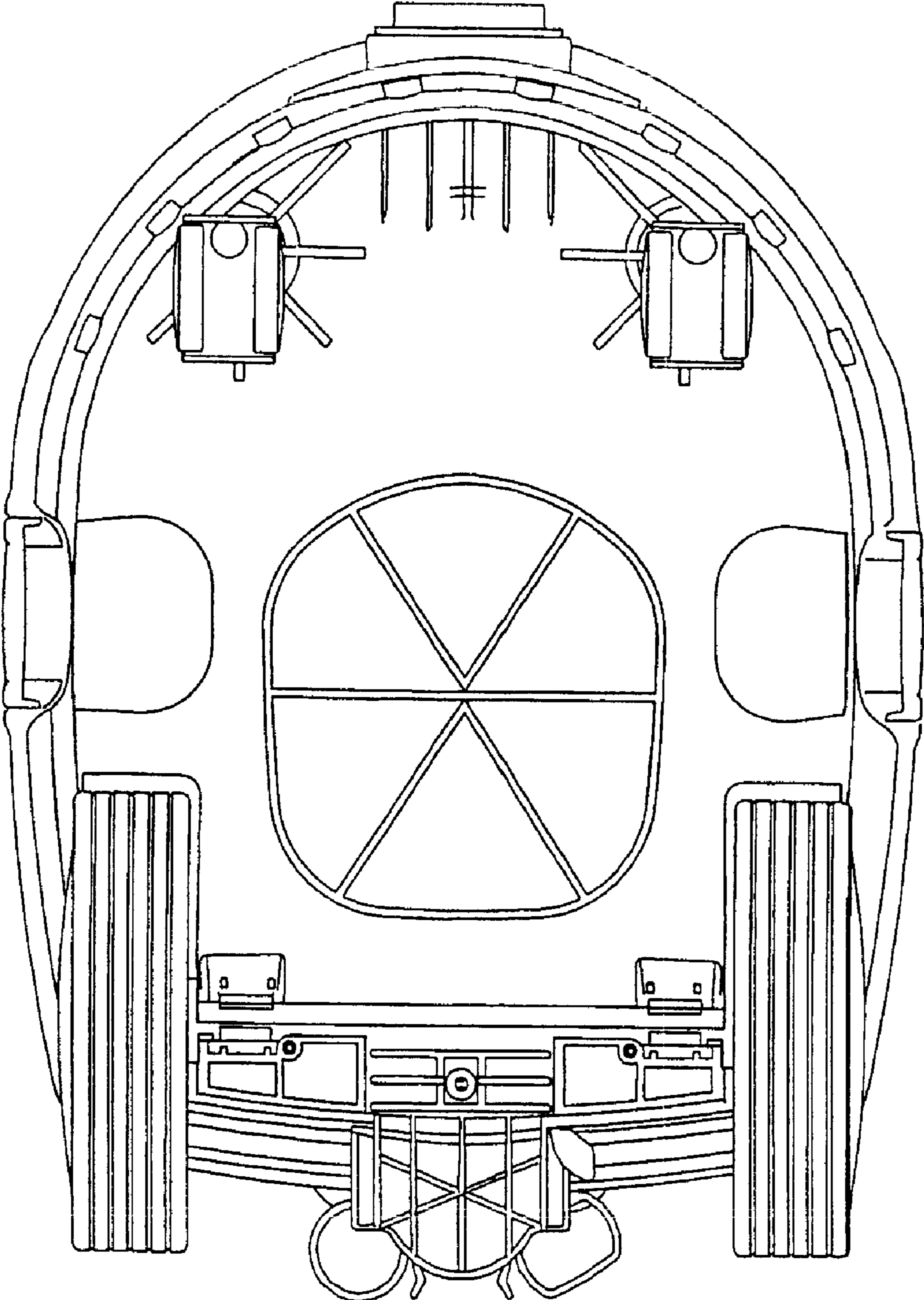


FIG. 7



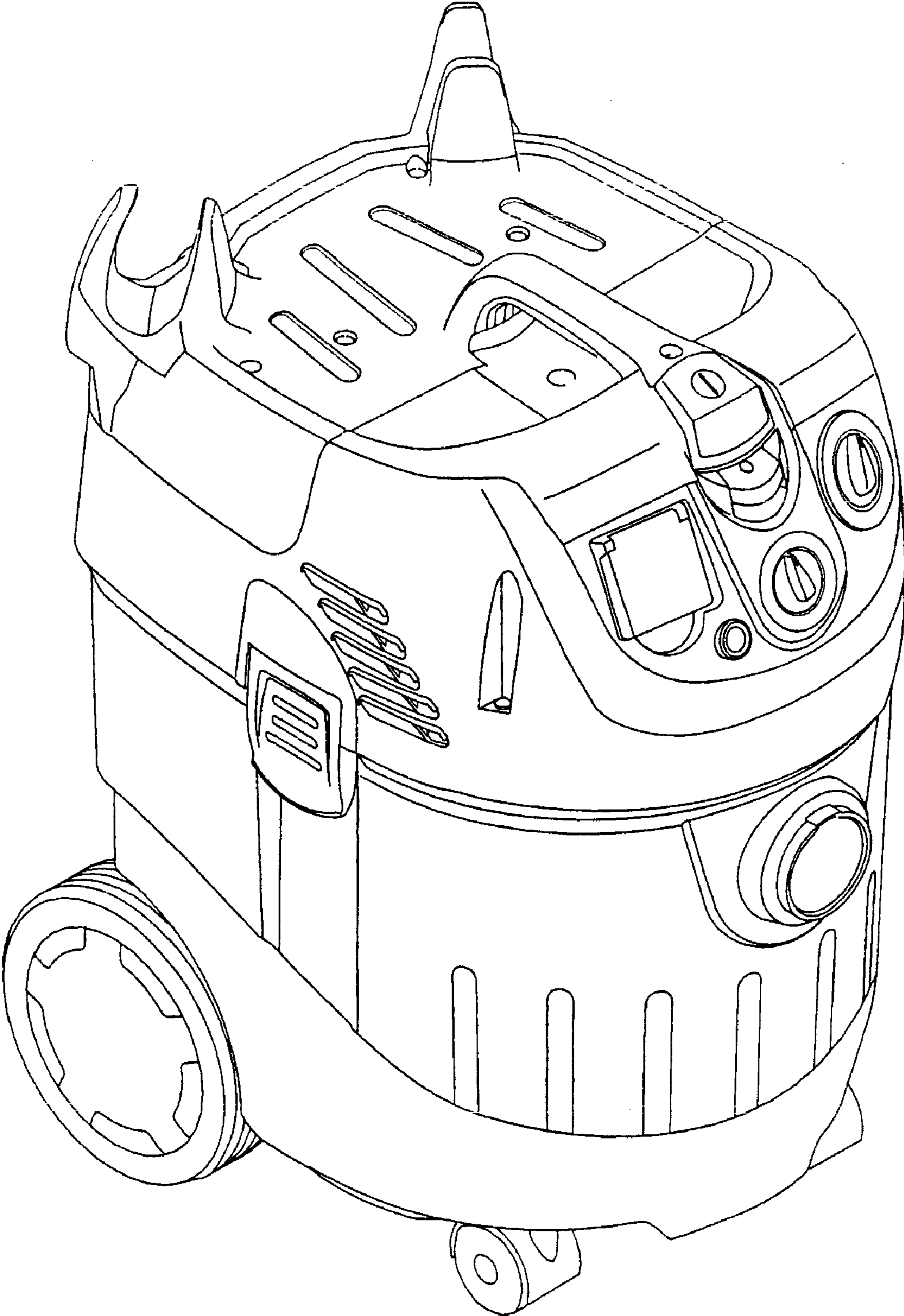


FIG.8

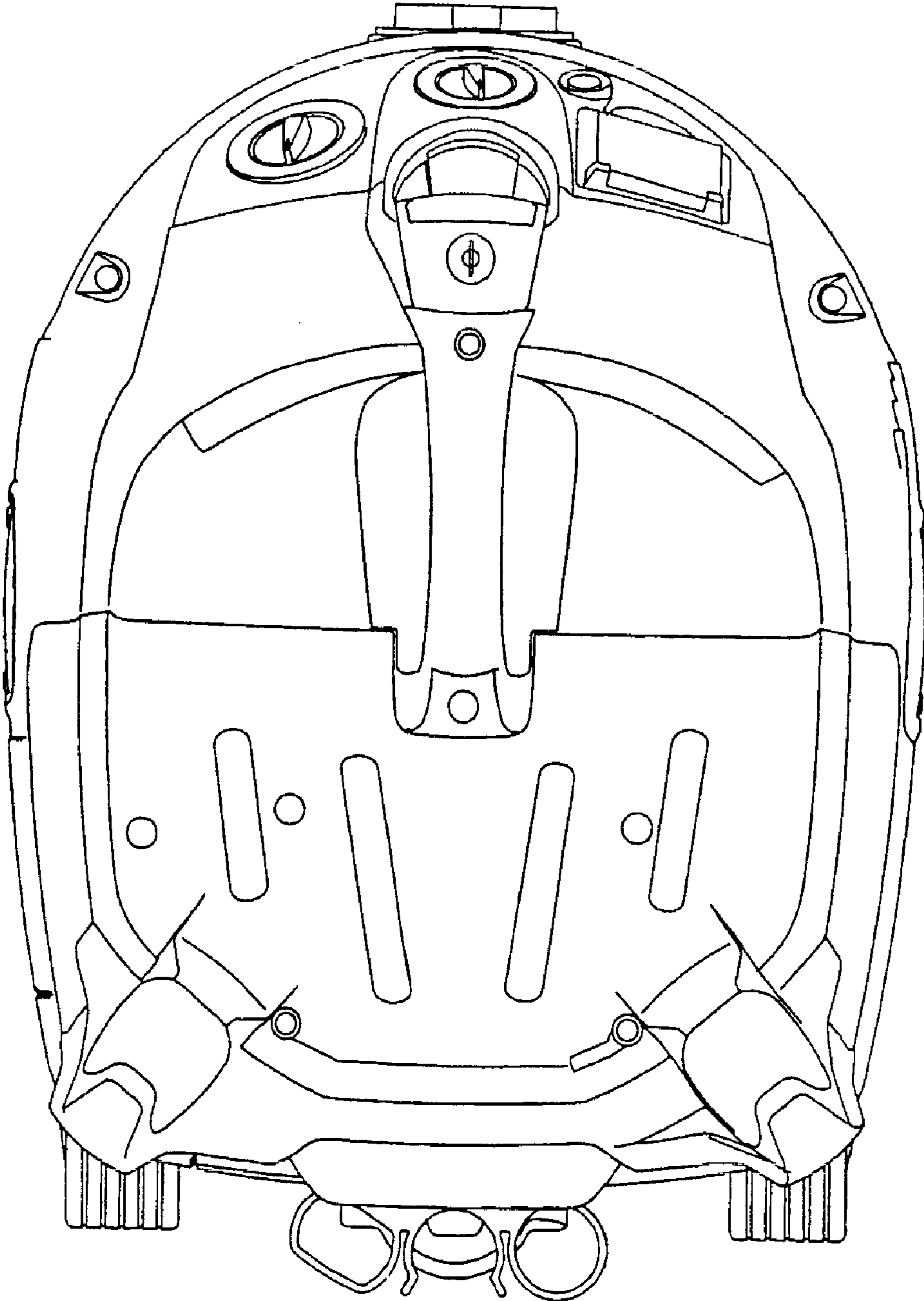


FIG. 9

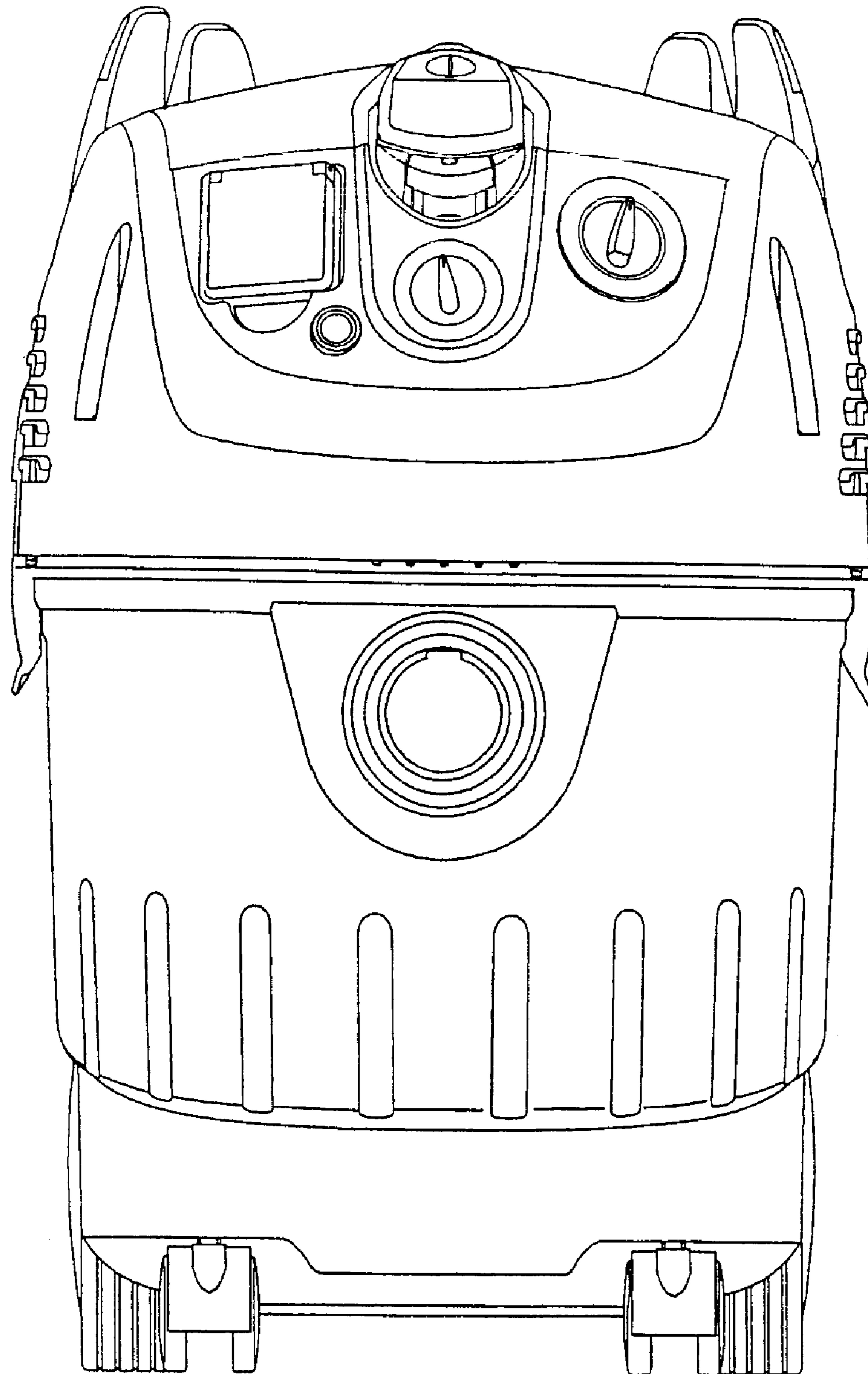


FIG. 10

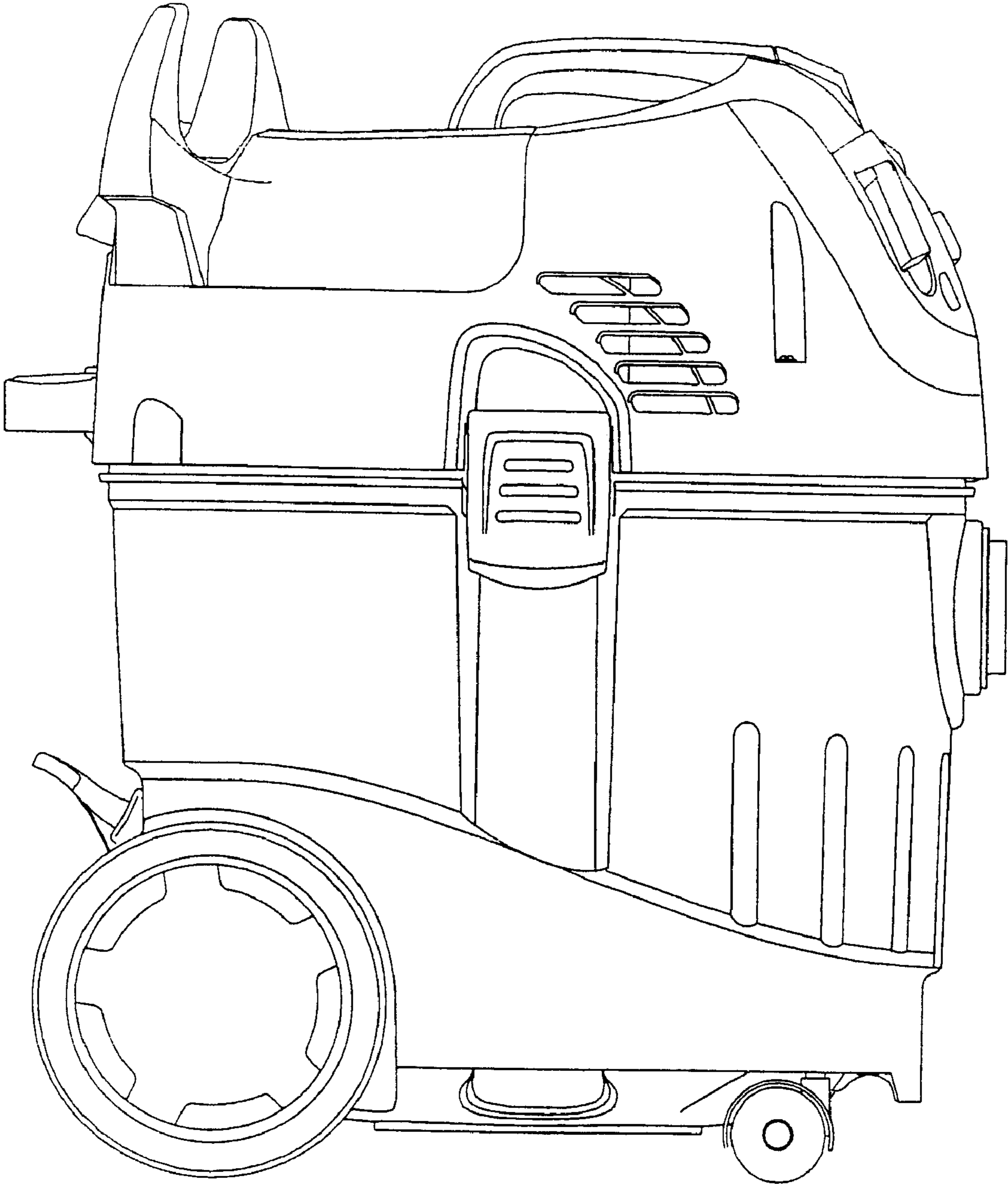


FIG. 11

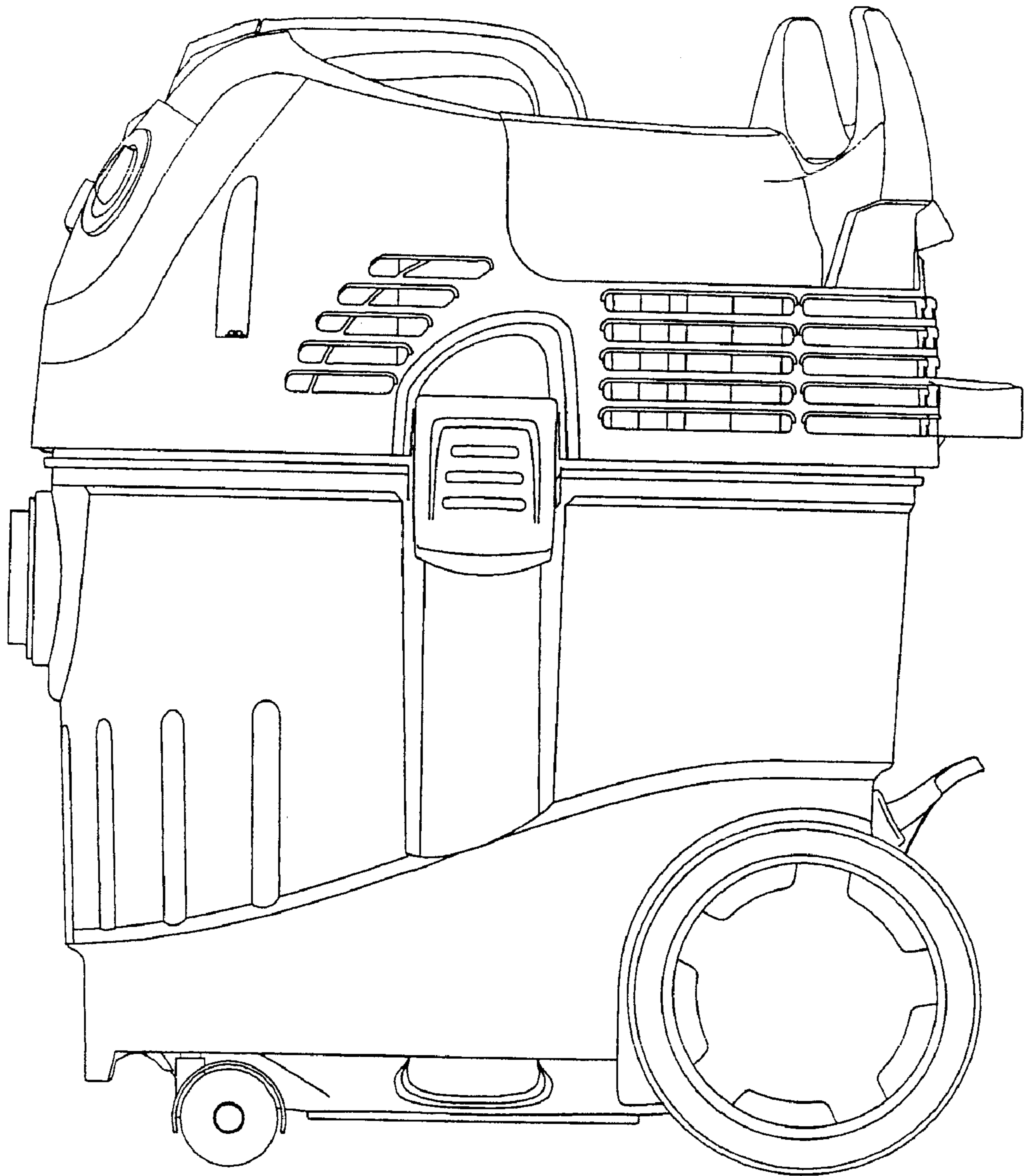


FIG. 12