



US00D581606S

(12) **United States Design Patent**  
**Cho et al.**

(10) **Patent No.:** **US D581,606 S**

(45) **Date of Patent:** **\*\* Nov. 25, 2008**

(54) **WASHING MACHINE**

(75) Inventors: **Kyeong Chul Cho**, Seoul (KR); **Bo Won Suh**, Gwangmyeong-Shi (KR); **Seung Hyun Song**, Seoul (KR); **Hyoung Won Roh**, Seoul (KR)

(73) Assignee: **LG Electronics Inc.**, Seoul (KR)

(\*\*) Term: **14 Years**

(21) Appl. No.: **29/300,723**

(22) Filed: **Apr. 30, 2008**

(30) **Foreign Application Priority Data**

Nov. 1, 2007 (KR) ..... 30-2007-0045636

(51) **LOC (8) Cl.** ..... **15-05**

(52) **U.S. Cl.** ..... **D32/6**

(58) **Field of Classification Search** ..... D32/1,  
D32/5-6, 8, 10; 68/3 R, 5 R, 12.01, 12.08,  
68/212; 34/523-524, 87-88, 58, 108, 130-132,  
34/595-597, 600, 417, 499, 534; 312/31  
See application file for complete search history.

(56) **References Cited**

**U.S. PATENT DOCUMENTS**

D459,844 S \* 7/2002 Baldwin et al. .... D32/6

D465,622 S \* 11/2002 Wang et al. .... D32/6

D517,256 S \* 3/2006 Kim ..... D32/6  
D538,489 S \* 3/2007 Bixby et al. .... D32/6  
D549,984 S \* 9/2007 Olarte ..... D6/381  
D550,409 S \* 9/2007 Wilday ..... D32/6  
D556,958 S \* 12/2007 Kwon ..... D32/6  
D562,508 S \* 2/2008 Shin ..... D32/6  
D570,059 S \* 5/2008 Jeon et al. .... D32/6

\* cited by examiner

*Primary Examiner*—Cathron Brooks

*Assistant Examiner*—Kathleen M Sims

(74) *Attorney, Agent, or Firm*—Morgan Lewis & Bockius LLP

(57) **CLAIM**

We claim the ornamental design for a washing machine, as shown and described.

**DESCRIPTION**

FIG. 1 is a perspective view of a washing machine showing the new design:

FIG. 2 is a front elevation view thereof;

FIG. 3 is a rear elevation view thereof;

FIG. 4 is a left-side elevation view thereof;

FIG. 5 is a right-side elevation view thereof;

FIG. 6 is a top plan view thereof; and,

FIG. 7 is a bottom plan view thereof.

**1 Claim, 6 Drawing Sheets**

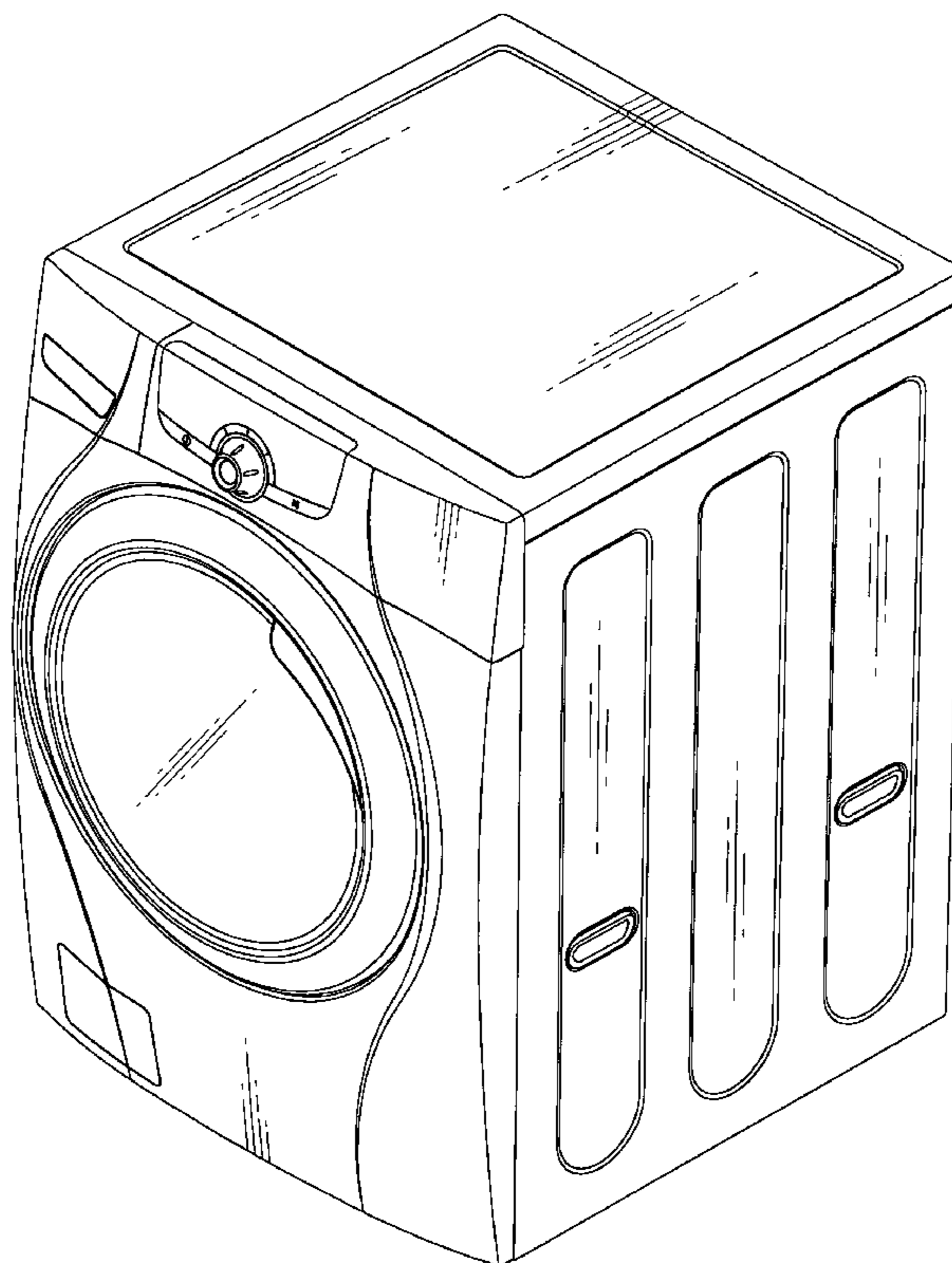


FIG. 1

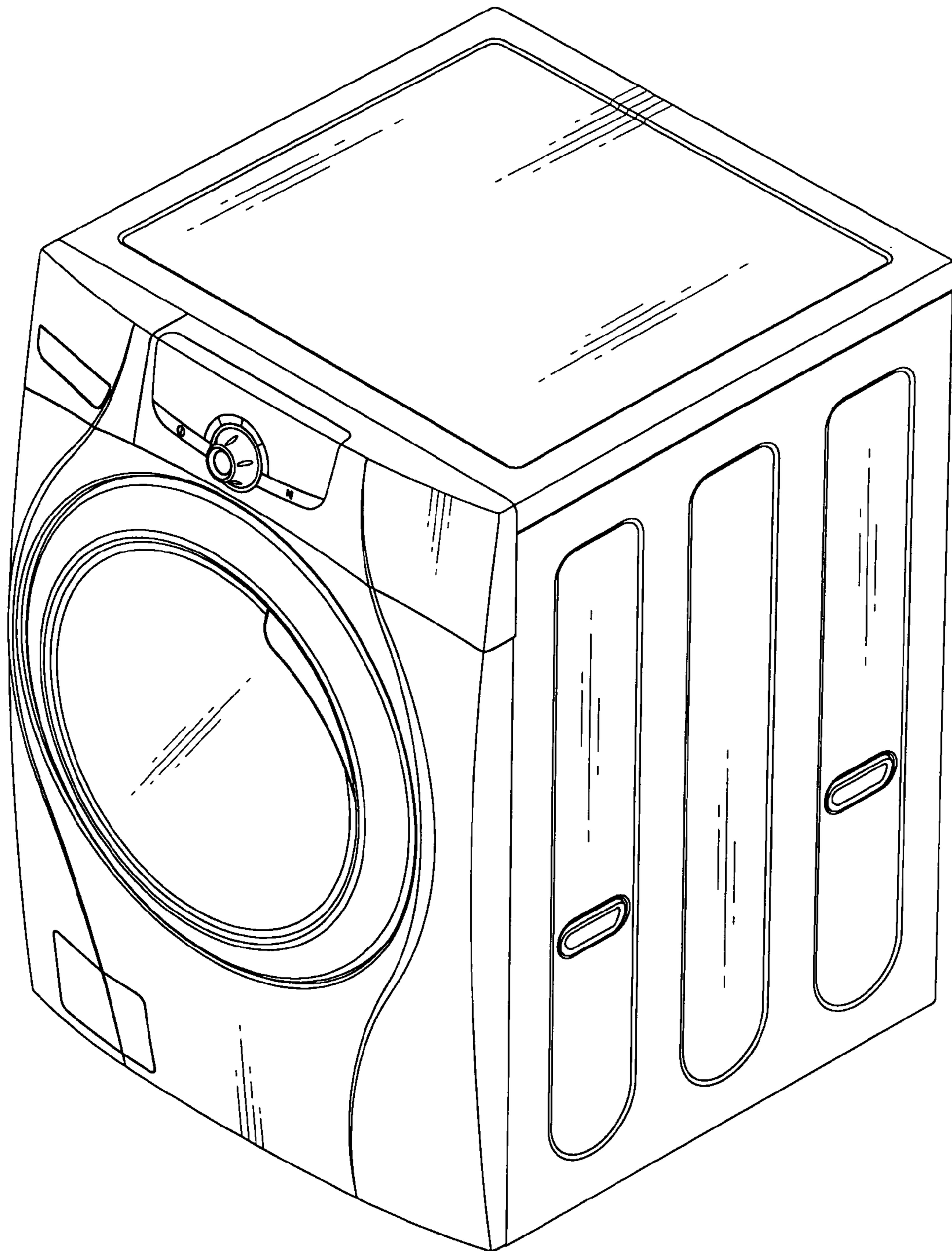


FIG. 2

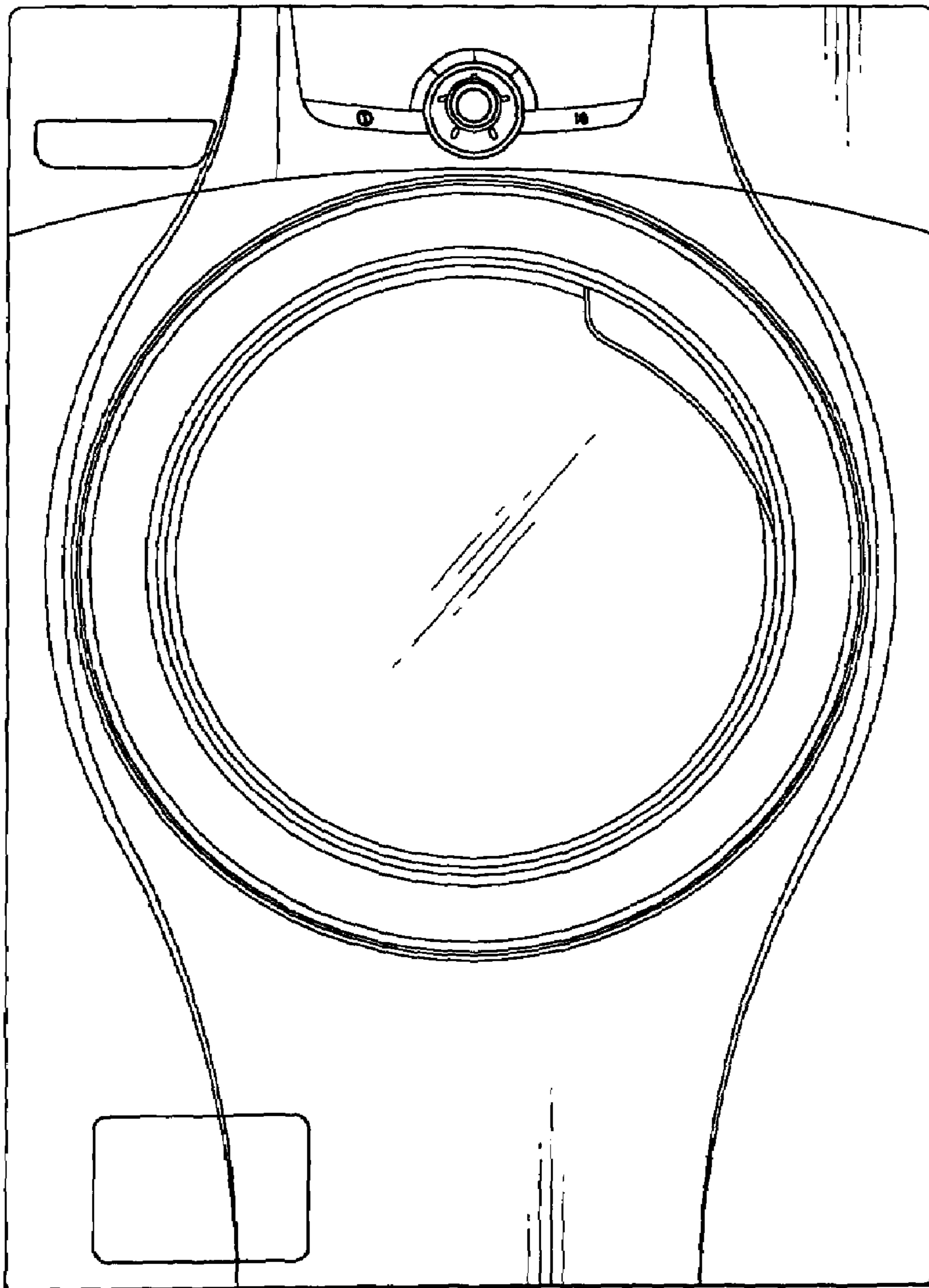


FIG. 3

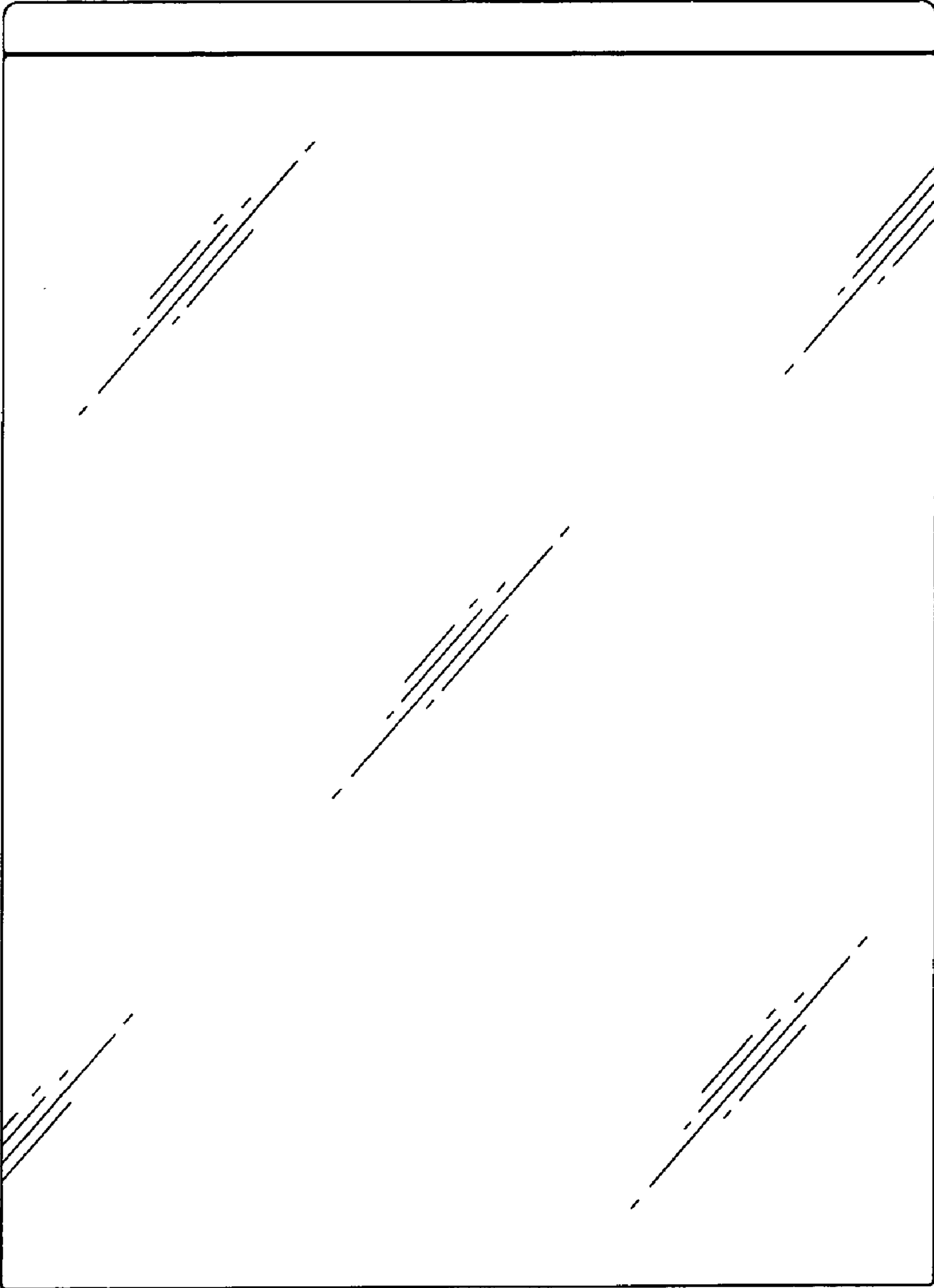


FIG. 4

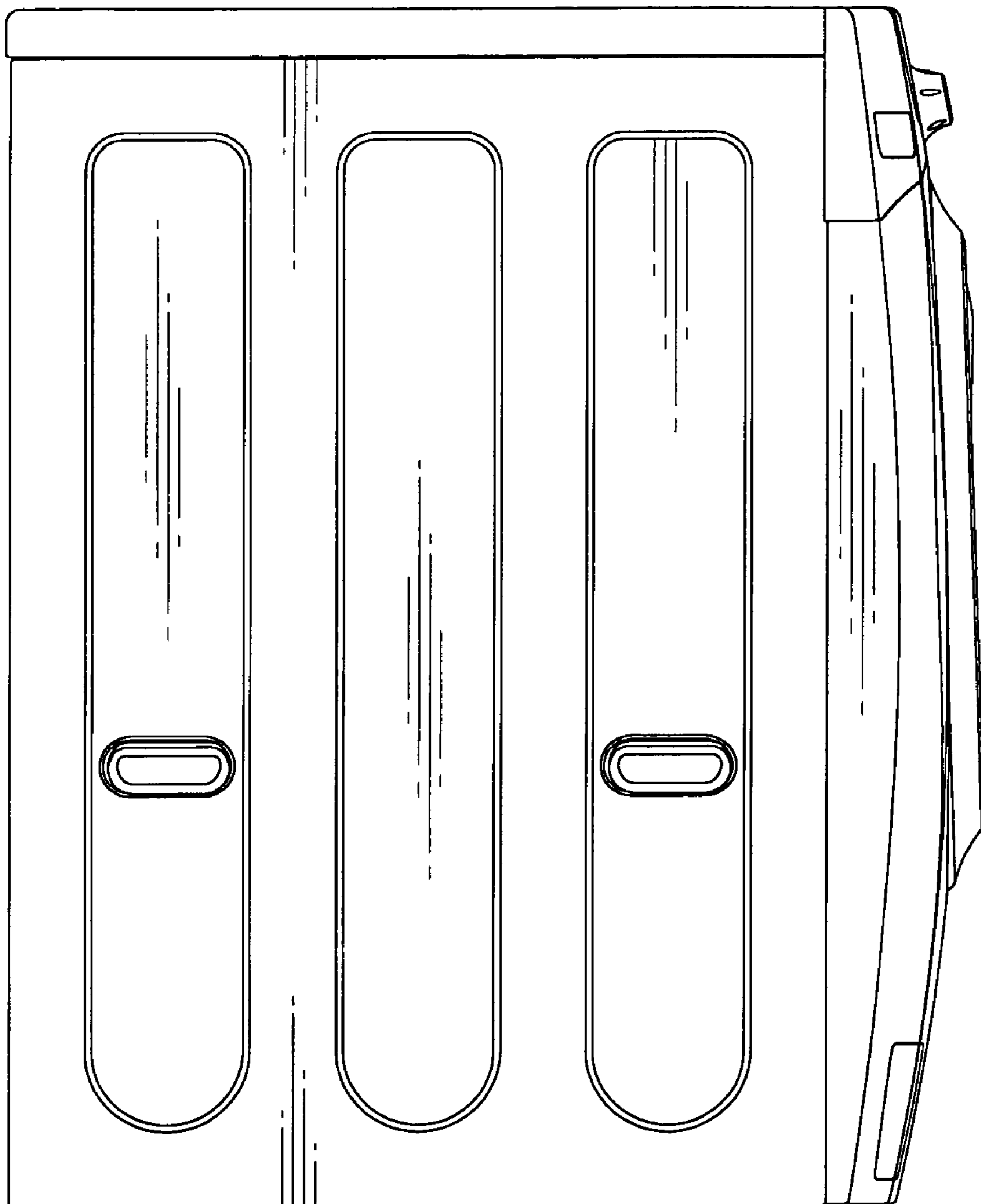


FIG. 5

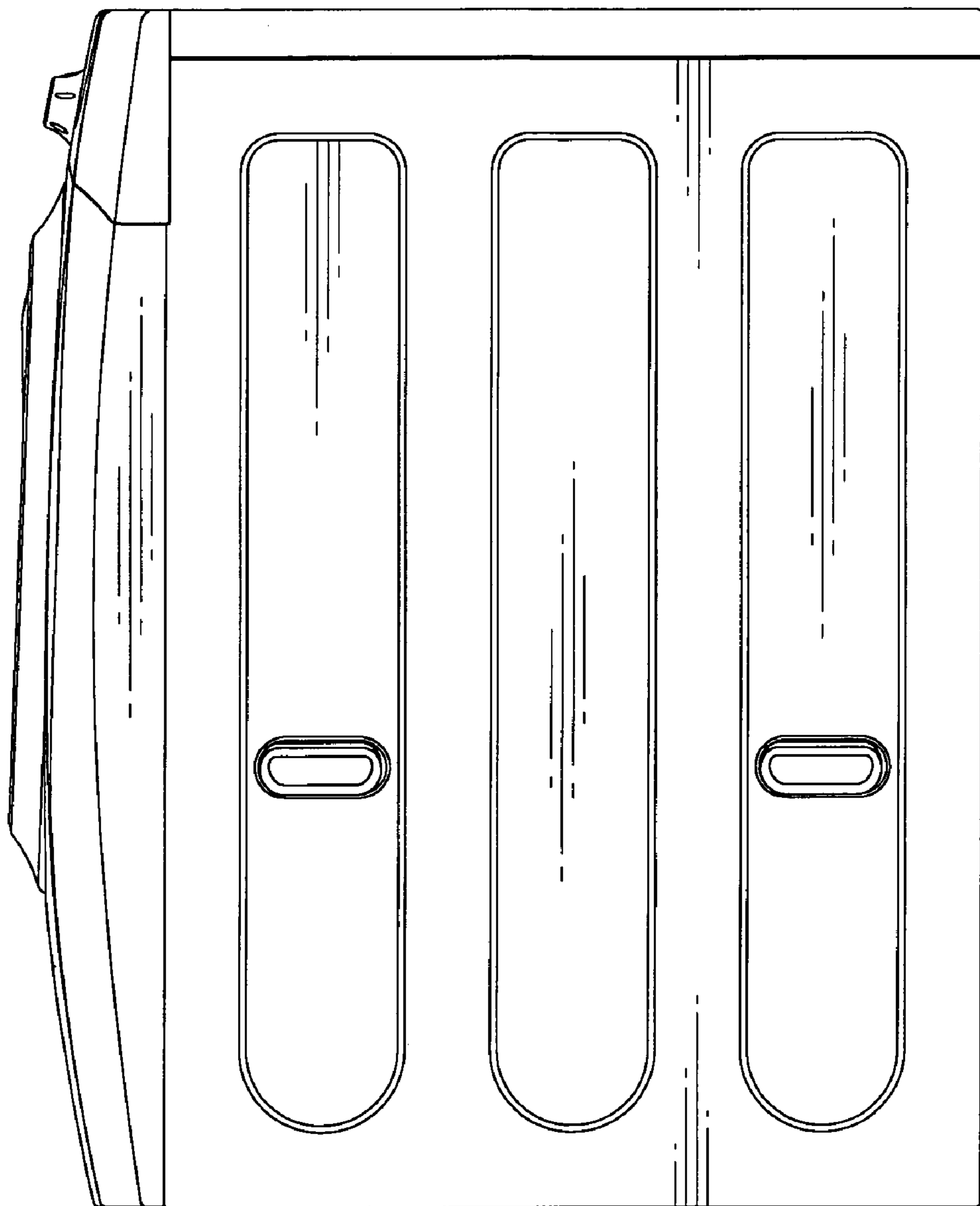


FIG. 6

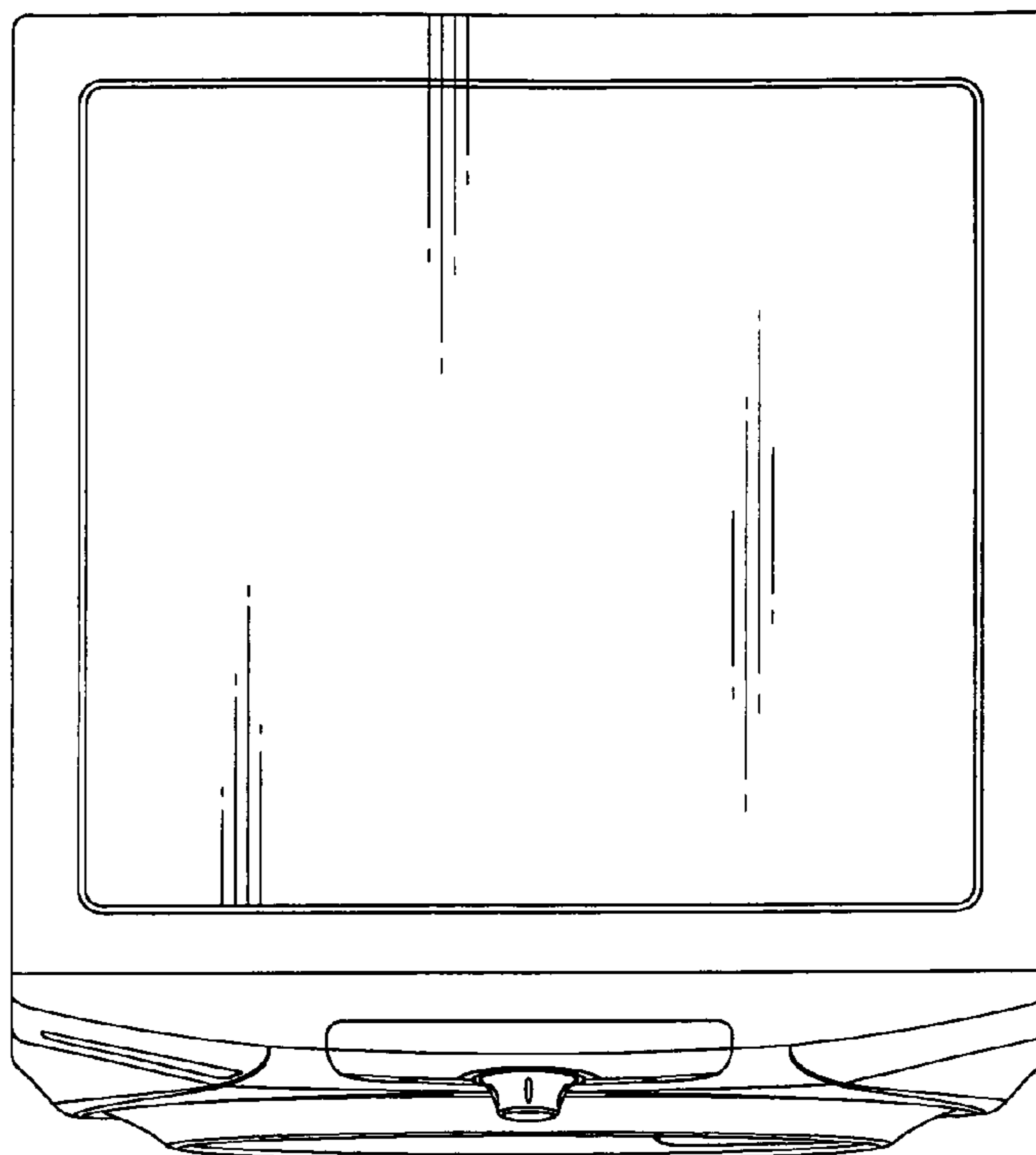


FIG. 7

