



US00D581604S

(12) **United States Design Patent**
Ragonetti et al.

(10) **Patent No.:** **US D581,604 S**

(45) **Date of Patent:** **** Nov. 25, 2008**

(54) **BOWL**

(75) Inventors: **Peter Ragonetti**, Brooklyn, NY (US);
Ryan Rutherford, Belleville, NJ (US)

(73) Assignee: **JW Pet Company, Inc.**, Teterboro, NJ (US)

(**) Term: **14 Years**

(21) Appl. No.: **29/269,432**

(22) Filed: **Nov. 30, 2006**

(51) **LOC (8) Cl.** **30-03**

(52) **U.S. Cl.** **D30/129**

(58) **Field of Classification Search** D30/121,
D30/122, 129-133; 119/61.5, 51.01, 61.56,
119/51.03, 59, 62, 63, 51.5, 57.8, 74, 61.54,
119/61.55; 312/204; 248/151, 188; 108/156,
108/153.1-157; 220/23.87, 630, 737, 743,
220/9.4, 495.01, 574, 212, 255, 23.83; 206/515;
D7/586, 543, 550.1, 587, 505, 584, 545, 500,
D7/553.1-553.8, 546, 555, 556, 504, 565,
D7/562, 602; D9/429; 43/109; D22/122;
99/430, DIG. 15

See application file for complete search history.

(56) **References Cited**

U.S. PATENT DOCUMENTS

2,053,949 A * 9/1936 Emery 220/574

2,259,682 A * 10/1941 Collins 119/61.54
2,928,372 A * 3/1960 Farley 119/61.54
3,722,476 A * 3/1973 Van Ness et al. 119/61.54
5,570,655 A * 11/1996 Targa 119/51.02
D446,362 S * 8/2001 Choi et al. D30/129
6,516,747 B1 * 2/2003 Willinger 119/61.54
2004/0244703 A1 * 12/2004 Lehman 119/61.53

* cited by examiner

Primary Examiner—Melanie Tung

Assistant Examiner—Susan Moon Lee

(74) *Attorney, Agent, or Firm*—Katten Muchin Rosenman LLP

(57) **CLAIM**

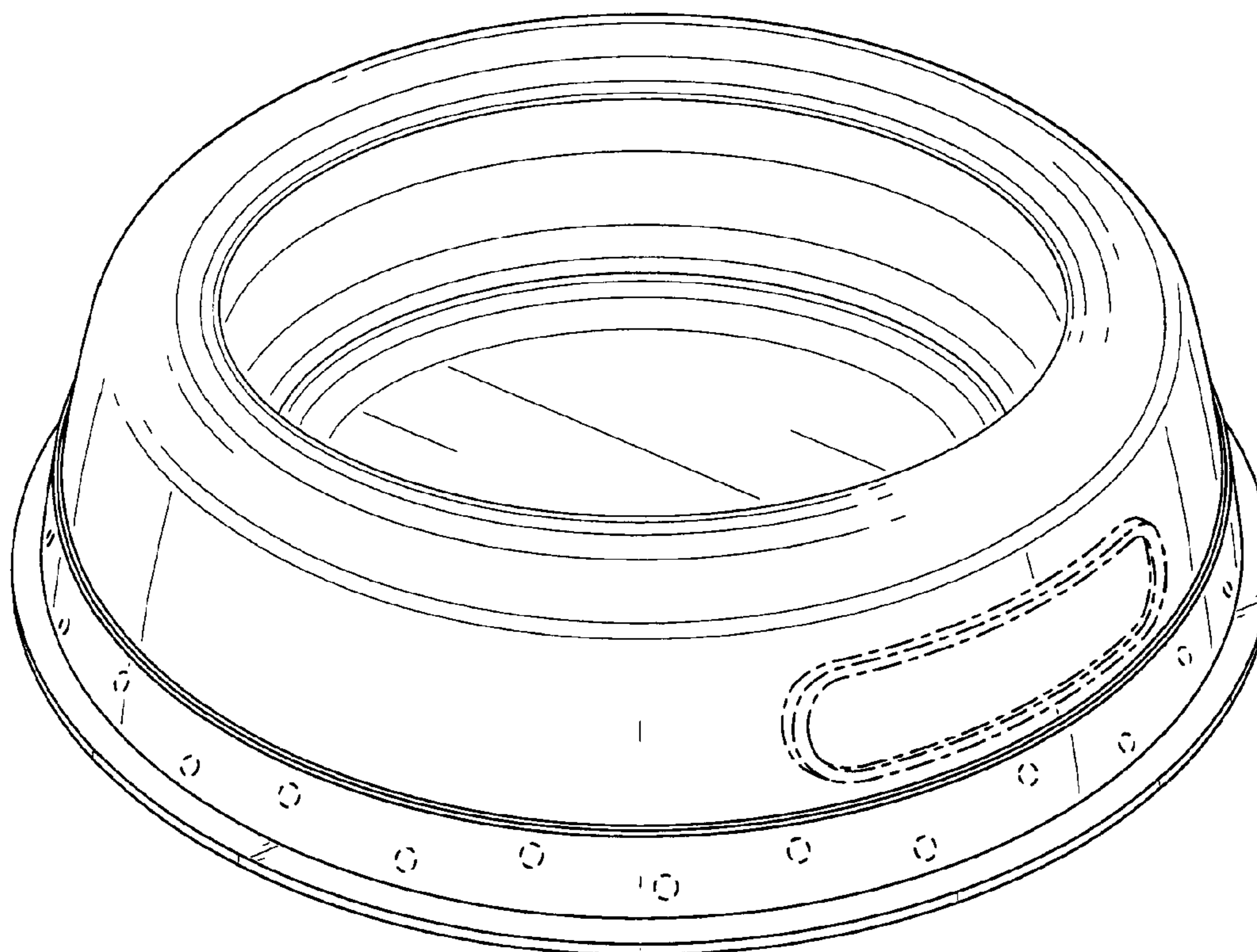
The ornamental design for a bowl, as shown and described.

DESCRIPTION

FIG. 1 is a perspective view of a bowl of the claimed design;
FIG. 2 is a left-side view thereof;
FIG. 3 is a right-side view thereof;
FIG. 4 is a rear view thereof;
FIG. 5 is a front view thereof;
FIG. 6 is a top view thereof; and
FIG. 7 is a bottom view thereof.

The broken lines are for illustration only and form no part of the claimed design.

1 Claim, 5 Drawing Sheets



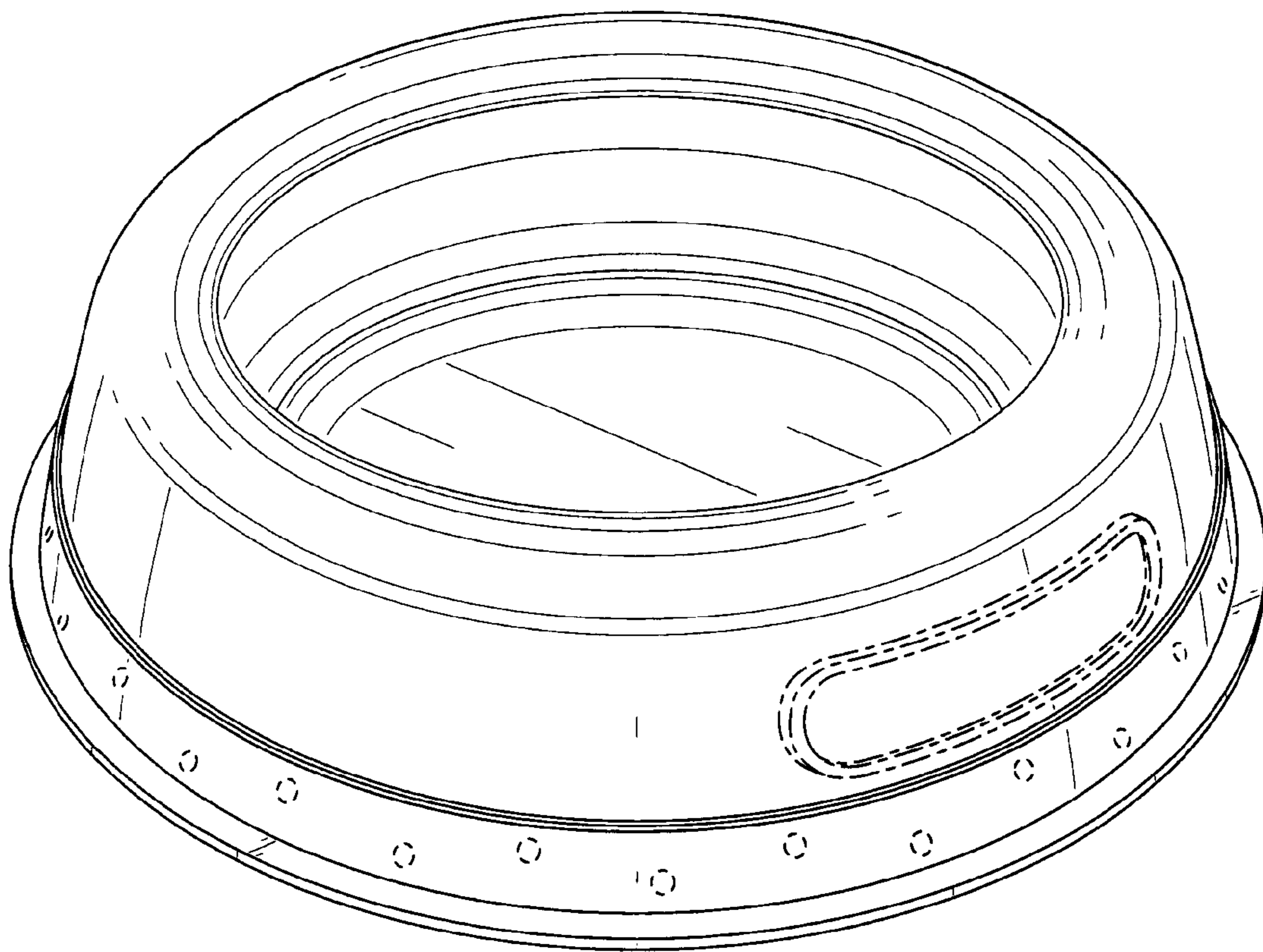


FIG. 1

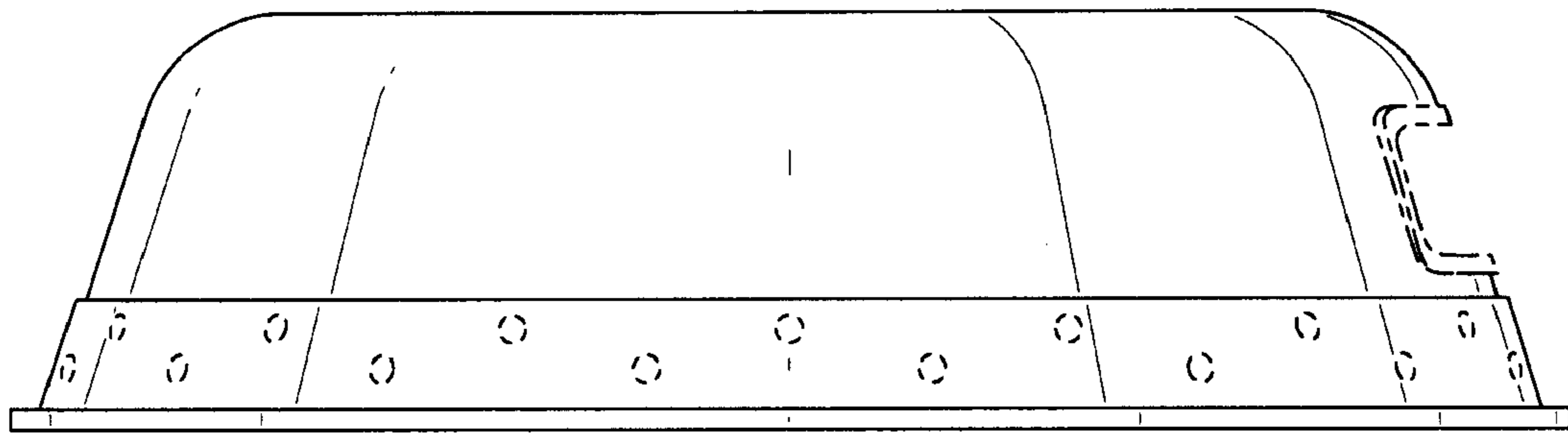


FIG. 2

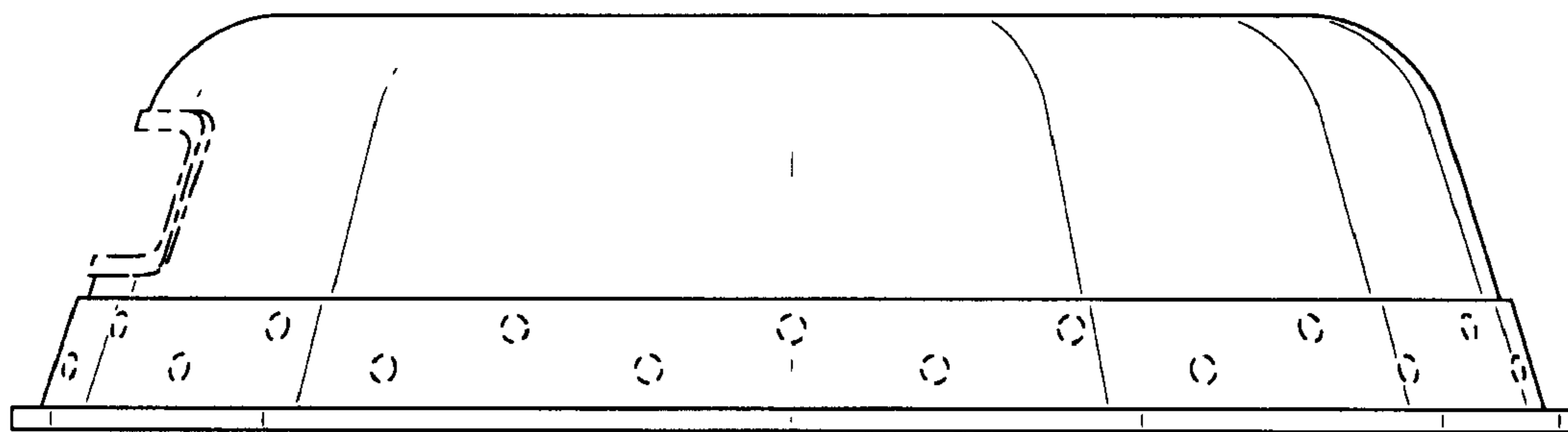


FIG. 3

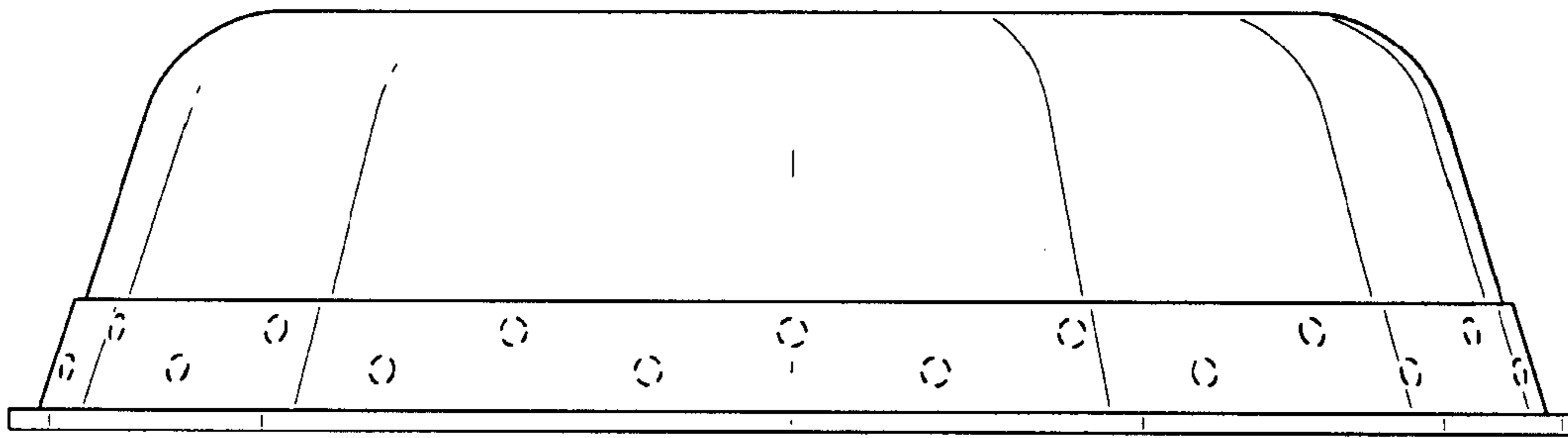


FIG. 4

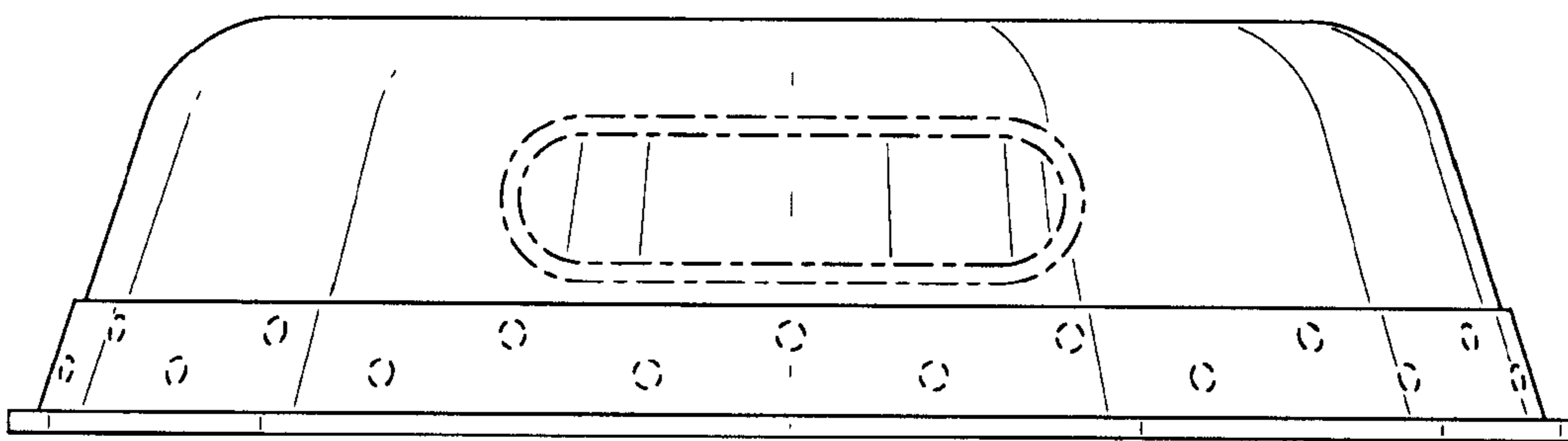


FIG. 5

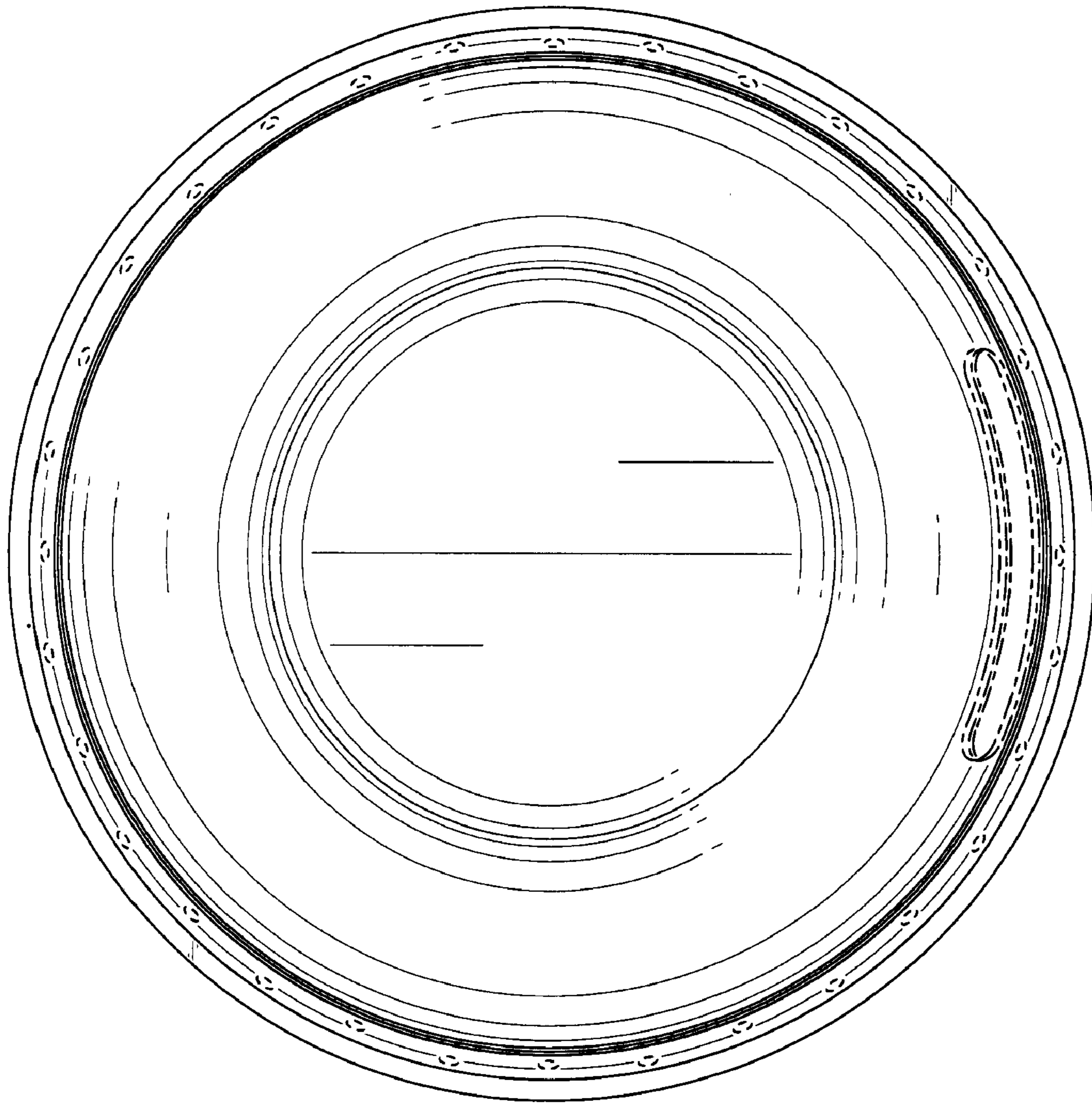


FIG. 6

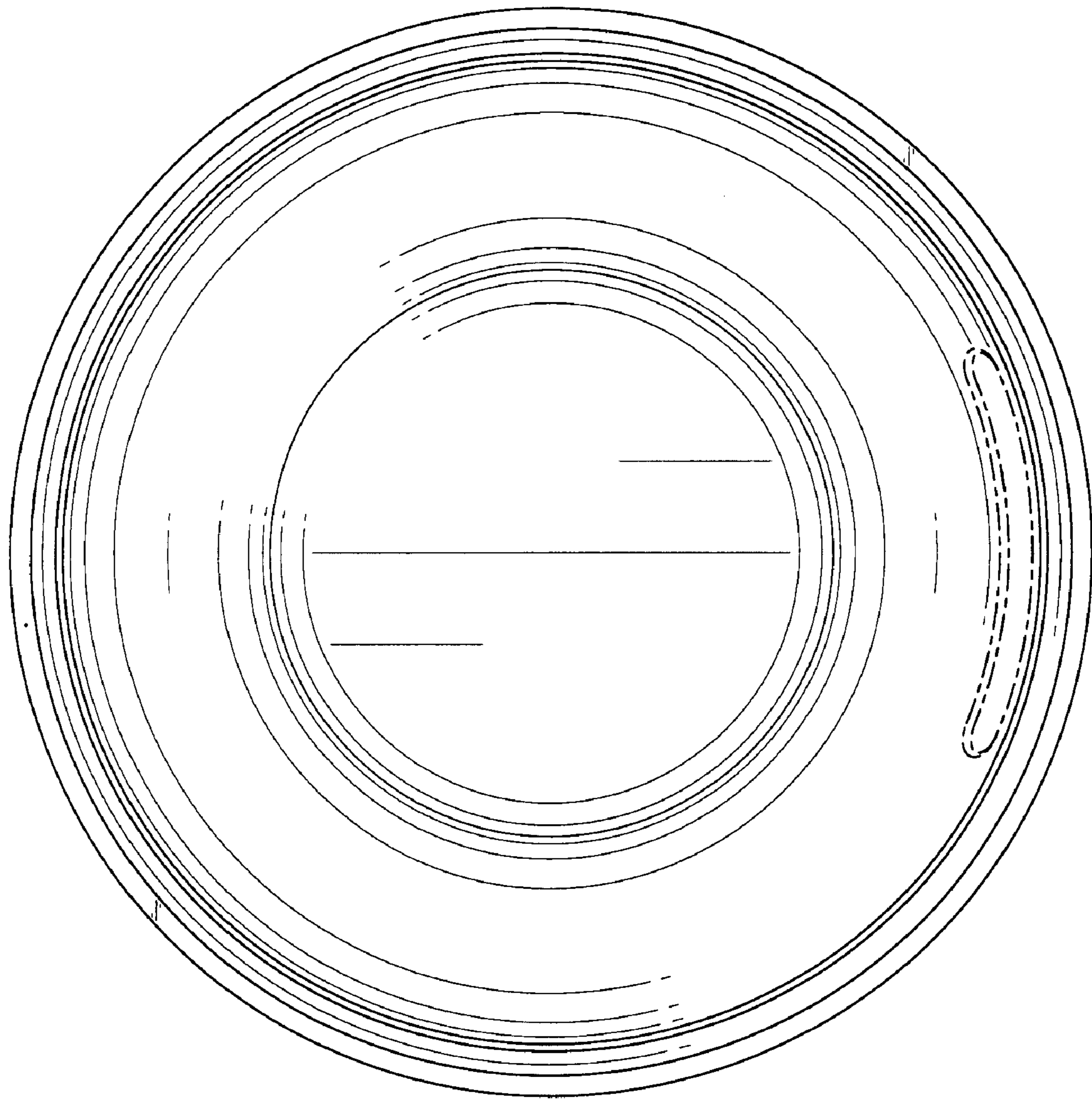


FIG. 7