



US00D581603S

(12) **United States Design Patent**
Woltmann et al.

(10) **Patent No.:** **US D581,603 S**
(45) **Date of Patent:** **** Nov. 25, 2008**

(54) **BIRDCAGE ATTACHMENT**

(75) Inventors: **Klaus Woltmann**, Demarest, NJ (US);
Jonathan Willinger, Tenafly, NJ (US)

(73) Assignee: **JW Pet Company, Inc.**, Teterboro, NJ
(US)

(**) Term: **14 Years**

(21) Appl. No.: **29/284,401**

(22) Filed: **Sep. 7, 2007**

1,450,494 A	4/1923	Eummelen
1,530,657 A	3/1925	Eummelen
1,632,380 A	6/1927	Marcus
1,718,432 A	6/1929	Qualmann
1,755,706 A	4/1930	St. George
D89,923 S	5/1933	Robison
2,031,874 A	2/1936	Butler et al.
2,066,264 A	12/1936	Fisher
2,296,000 A	9/1942	Ojalvo
2,483,003 A	9/1949	Fischer
D166,334 S	4/1952	Moon
D167,326 S	7/1952	Verosub
2,699,752 A	1/1955	Reyes
D174,580 S	4/1955	Kiehl
2,707,937 A	5/1955	Herman

Related U.S. Application Data

(60) Division of application No. 29/264,790, filed on Aug. 17, 2006, now Pat. No. Des. 554,298, and a continuation of application No. 11/245,556, filed on Oct. 7, 2005, and a continuation of application No. 11/182,380, filed on Jul. 15, 2005, now abandoned, and a division of application No. 29/230,071, filed on May 16, 2005, now Pat. No. Des. 530,866, and a division of application No. 29/180,987, filed on May 2, 2003, now Pat. No. Des. 508,589, and a continuation-in-part of application No. 10/371,646, filed on Feb. 21, 2003, now Pat. No. 6,971,332.

(51) **LOC (8) Cl.** **30-02**

(52) **U.S. Cl.** **D30/119**

(58) **Field of Classification Search** D30/110-111,
D30/119, 124-128; 119/57.8-57.9, 531,
119/536-537, 706-708, 467-468

See application file for complete search history.

(56) **References Cited**

U.S. PATENT DOCUMENTS

804,907 A	11/1905	Whitfield
1,192,441 A	7/1916	Lydecker
1,446,740 A	2/1923	Eummelen

(Continued)

Primary Examiner—Cathy Anne MacCormac
(74) *Attorney, Agent, or Firm*—Katten Muchin Rosenman
LLP

(57) **CLAIM**

The ornamental design for a birdcage attachment, as shown and described.

DESCRIPTION

FIG. 1 is a perspective view of a birdcage attachment of the claimed design;

FIG. 2 is a front elevation view thereof;

FIG. 3 is a rear elevation view thereof;

FIG. 4 is a left side elevation view thereof;

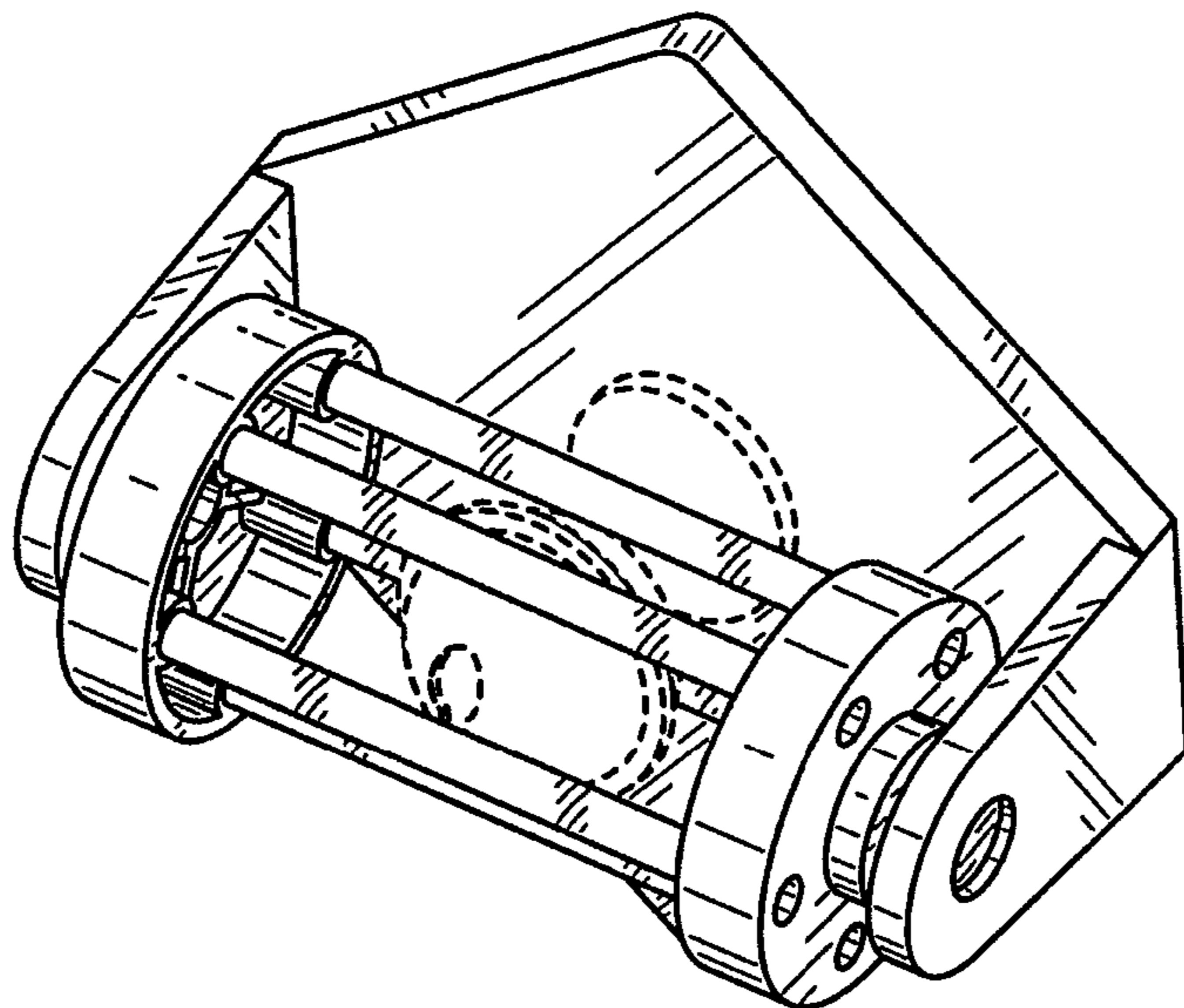
FIG. 5 is a right side elevation view thereof;

FIG. 6 is a top view thereof; and,

FIG. 7 is a bottom view thereof.

The broken lines are for illustrative purposes only and form no part of the claimed design.

1 Claim, 4 Drawing Sheets



US D581,603 S

Page 2

U.S. PATENT DOCUMENTS

D175,292 S	8/1955	Austgen	5,018,480 A	5/1991	Goldman et al.
2,731,949 A	1/1956	Arnould	5,022,345 A	6/1991	Bolivar
2,800,105 A	7/1957	Ilg	D337,393 S	7/1993	Weldy
2,808,807 A	10/1957	Winton et al.	5,351,645 A	10/1994	Brennon
2,828,963 A	4/1958	Steiner	D353,693 S	12/1994	Lawson
2,943,600 A	7/1960	Rosoff	5,397,033 A	3/1995	Blomquist
3,017,589 A	1/1962	Chass	D371,226 S	6/1996	Lee
3,181,504 A	5/1965	Stortz	D371,227 S	6/1996	Lee
3,185,133 A	5/1965	Bird	5,612,500 A	3/1997	Liang
3,678,901 A	7/1972	Dulle	5,699,752 A	12/1997	Wilkins
3,707,949 A	1/1973	Lippi	5,893,338 A	4/1999	Campbell et al.
3,815,282 A	6/1974	Frost	5,949,456 A	9/1999	Matsumoto et al.
D233,770 S	11/1974	Clark et al.	D423,738 S	4/2000	Carlson
3,911,866 A	10/1975	Dodd	6,189,489 B1	2/2001	Pearce
4,188,745 A	2/1980	Harvey et al.	6,308,657 B1	10/2001	Schumacher et al.
4,450,789 A	5/1984	Nilsen et al.	6,374,772 B1	4/2002	Brandt
4,542,714 A	9/1985	Ingraham et al.	6,457,439 B1	10/2002	Engelking
4,574,738 A	3/1986	Tominaga	D473,979 S	4/2003	Schwartz et al.
4,655,723 A	4/1987	Marason et al.	6,561,129 B1	5/2003	Cheng
4,732,112 A	3/1988	Fenner et al.	6,736,088 B1	5/2004	McGregor et al.
4,762,086 A	8/1988	Atchley	6,971,332 B2 *	12/2005	Woltmann et al. 119/467
			D569,559 S *	5/2008	Ragonetti et al. D30/119

* cited by examiner

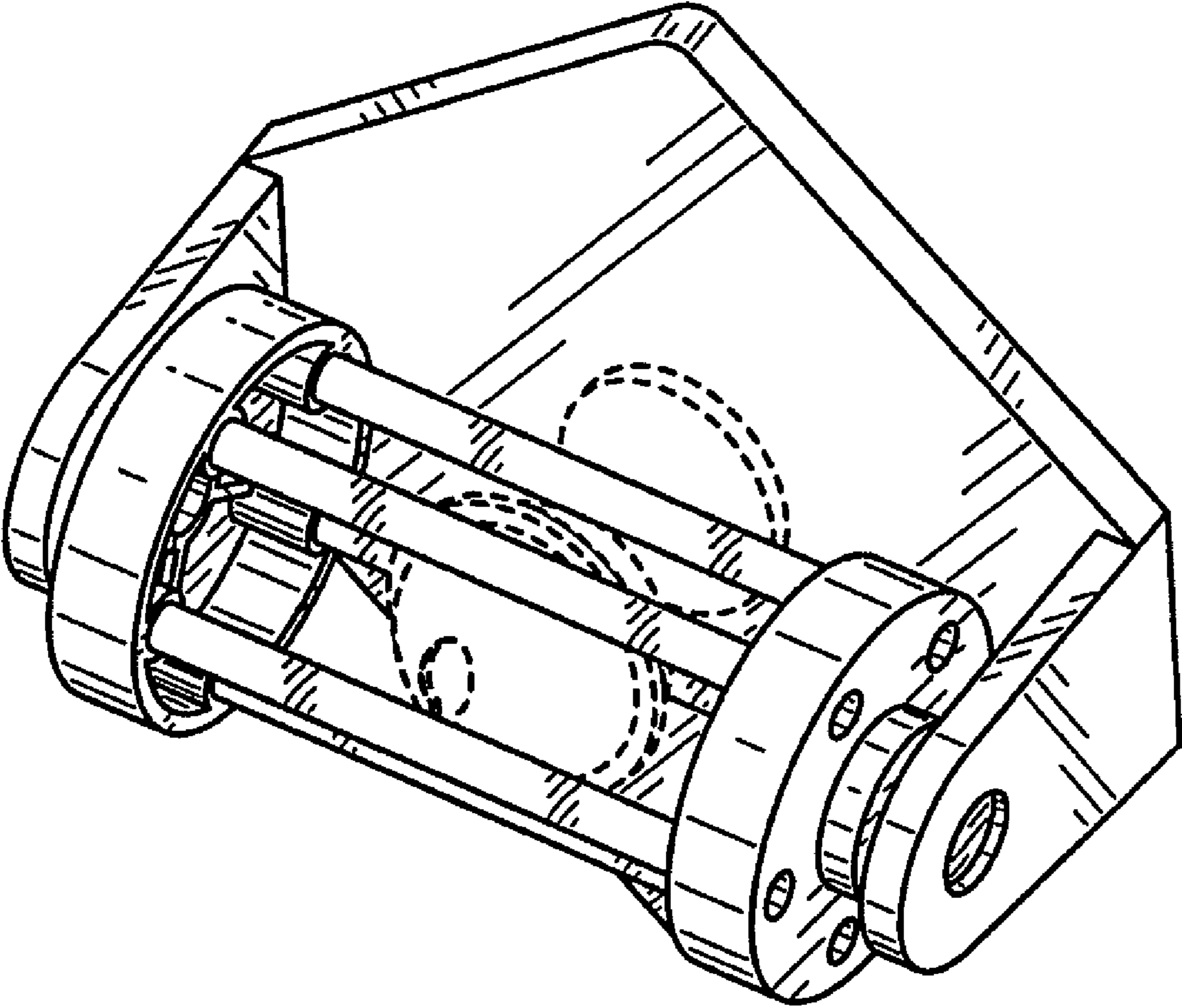


FIG. 1

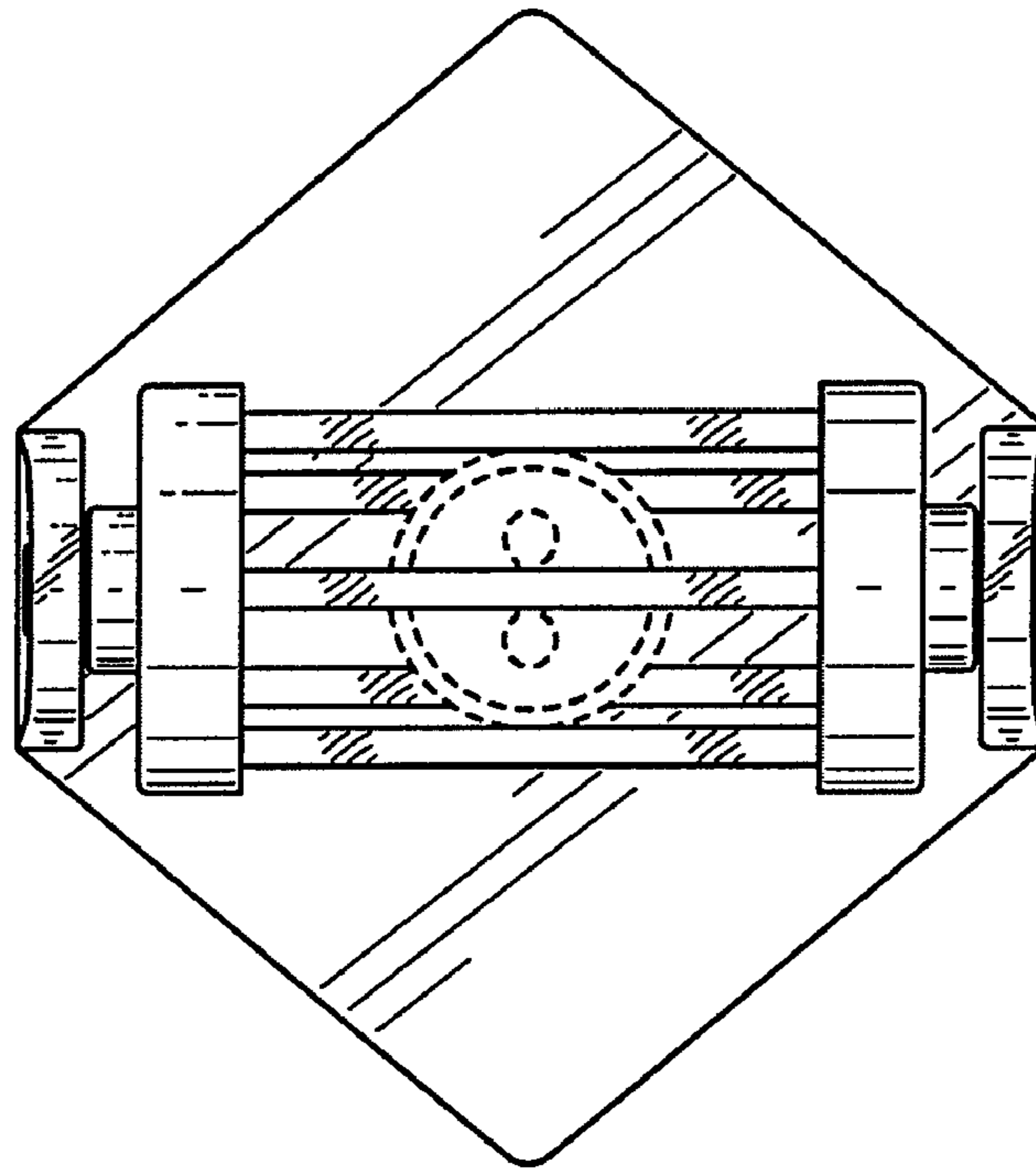


FIG. 2

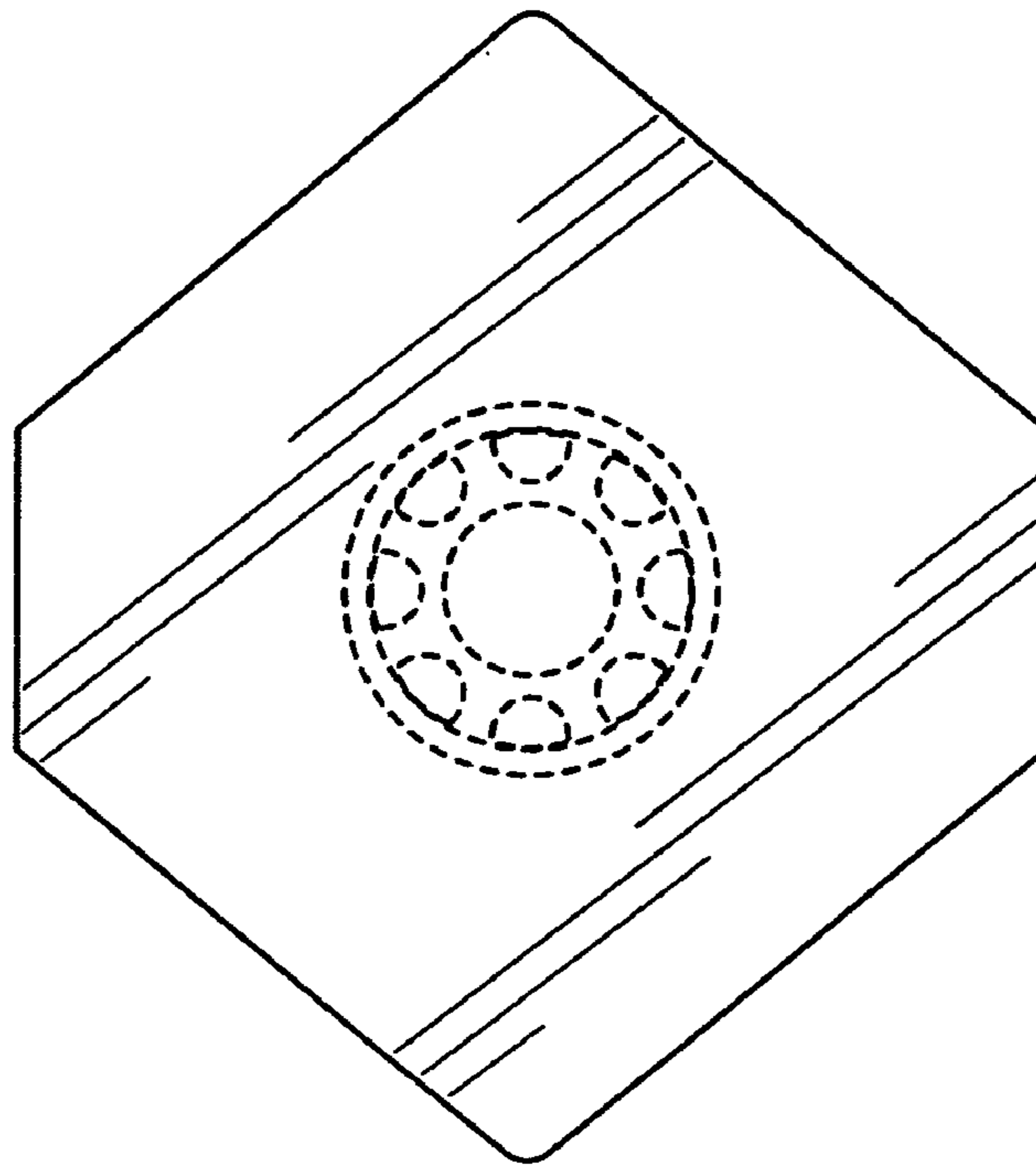


FIG. 3

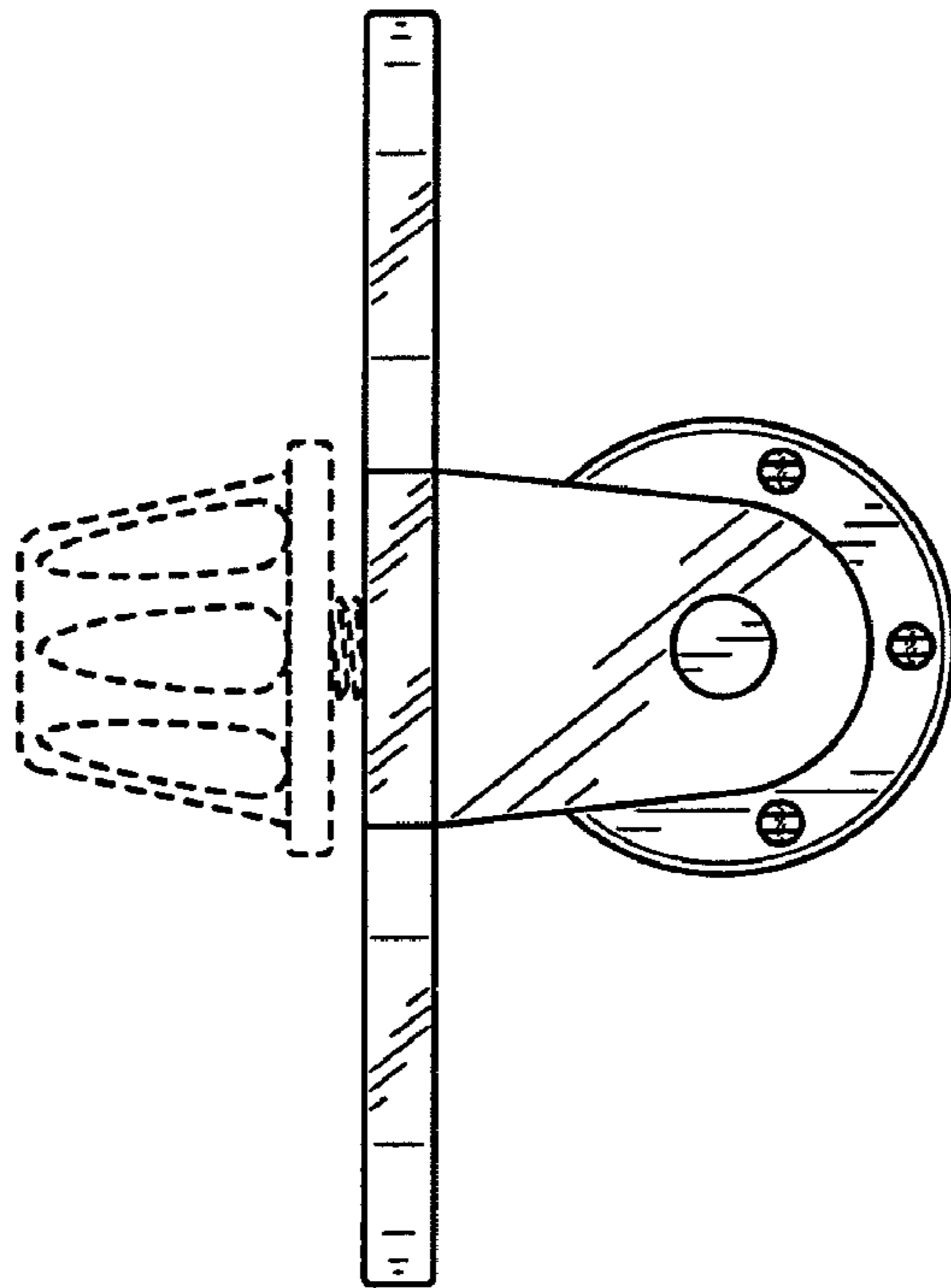


FIG. 4

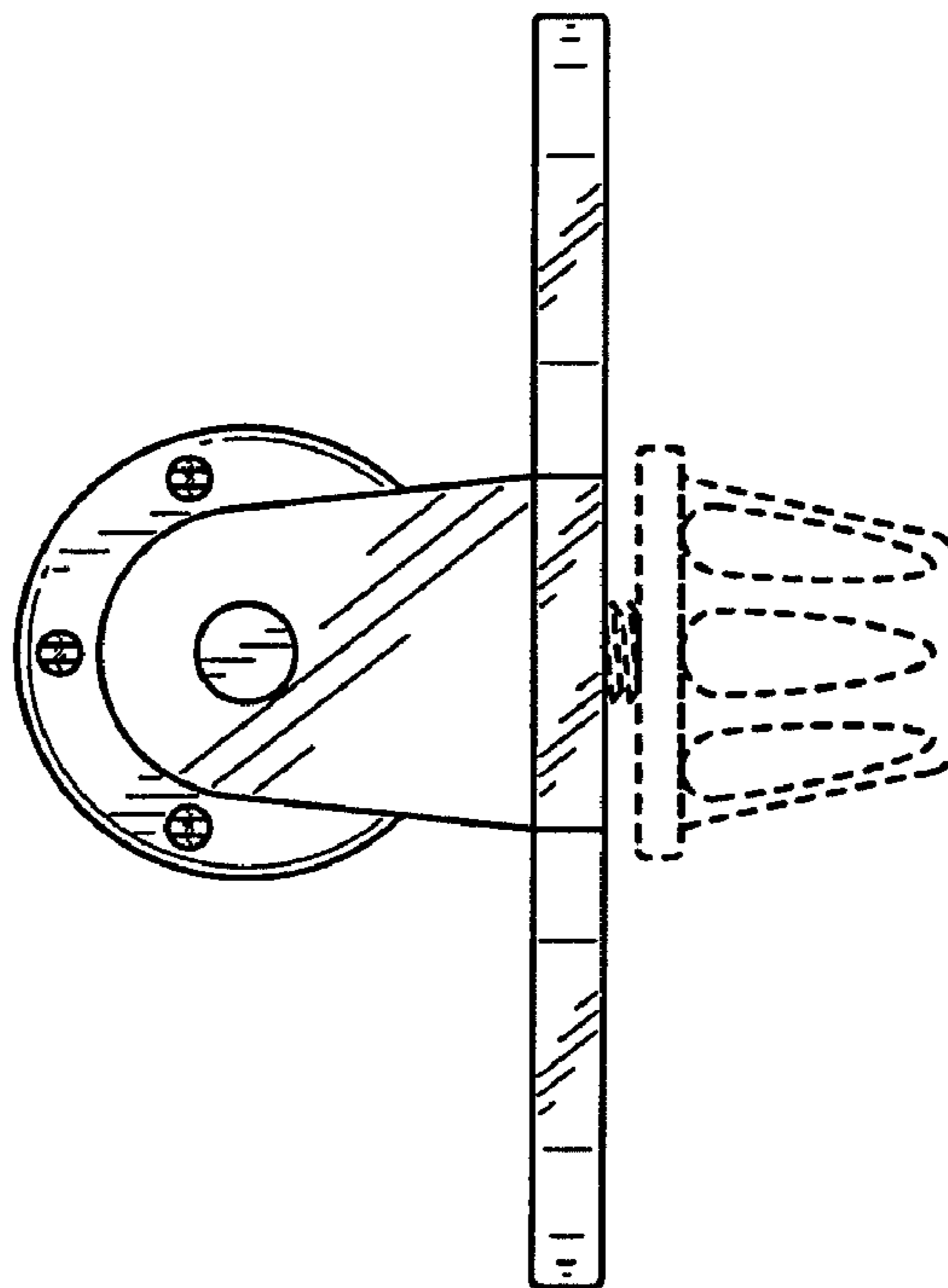


FIG. 5

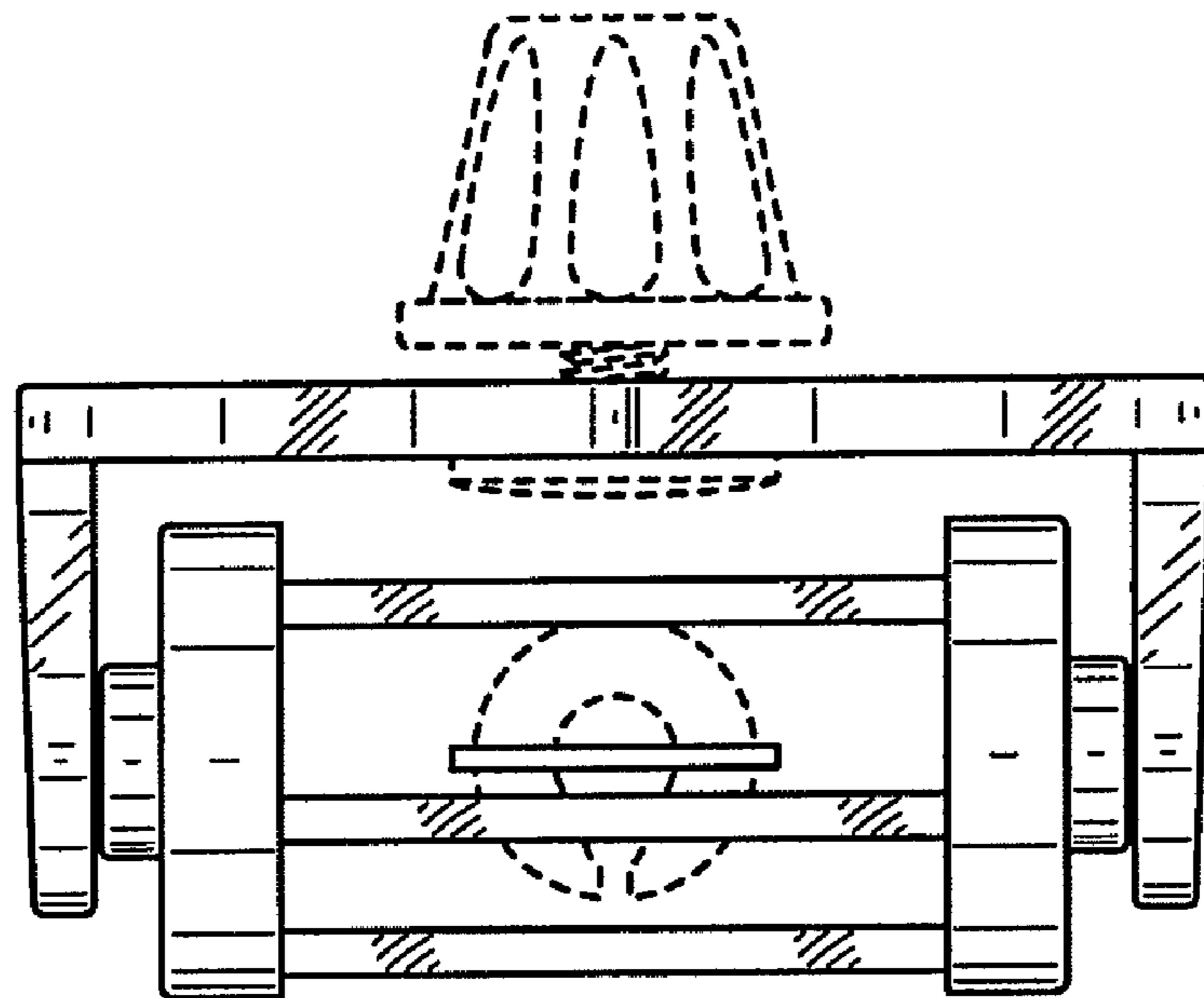


FIG. 6

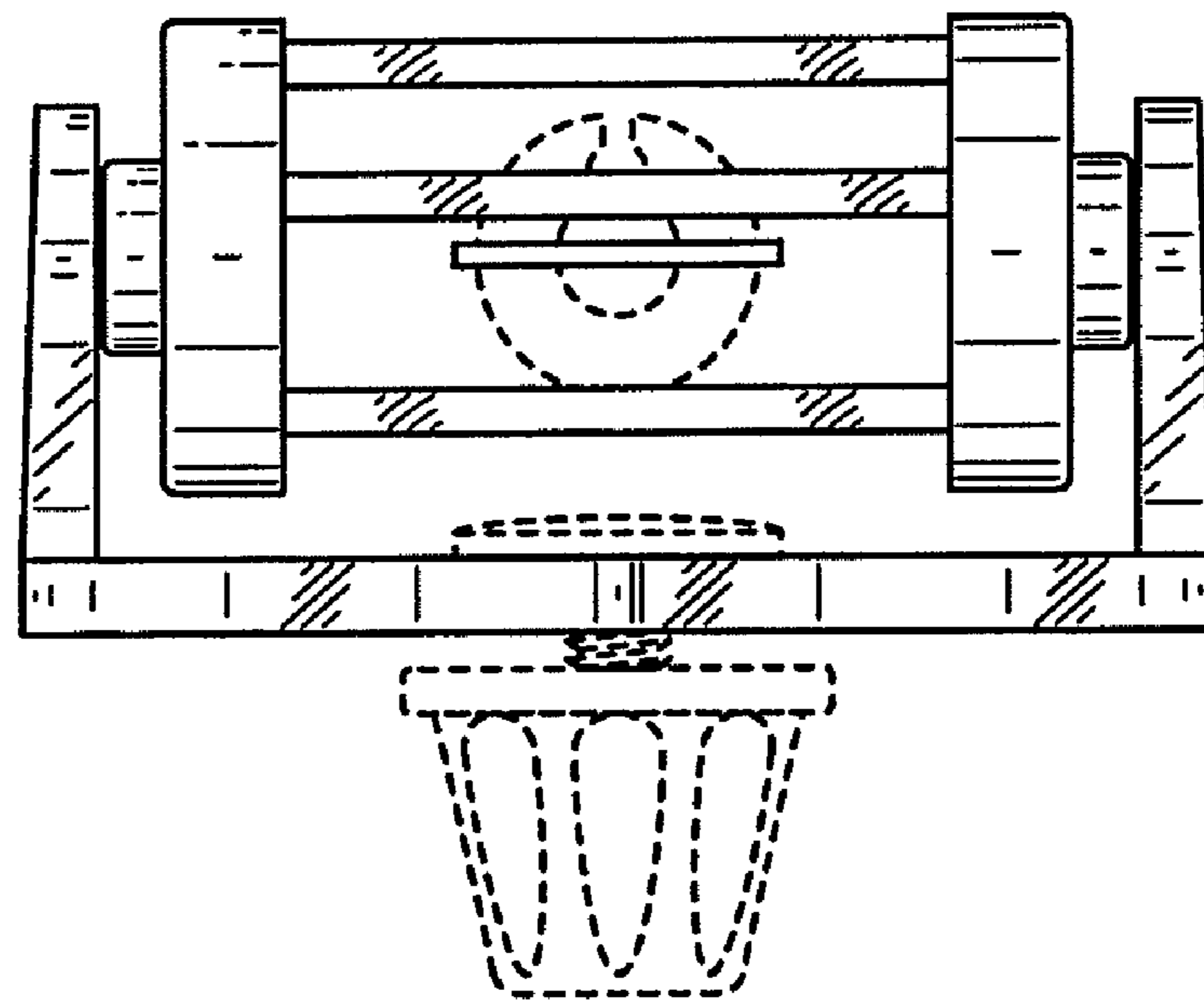


FIG. 7