



US00D581598S

(12) **United States Design Patent**
Buechler et al.

(10) **Patent No.:** **US D581,598 S**

(45) **Date of Patent:** **** Nov. 25, 2008**

(54) **COSMETIC CONTAINER**

2008/0047573 A1* 2/2008 Chou 132/305

* cited by examiner

(75) Inventors: **Andrew C. Buechler**, Clarksville, MI (US); **Michael D. Kelly**, Lowell, MI (US); **Olivier J. P. van Doorne**, New York, NY (US); **Joe D. Doucet**, New York, NY (US)

Primary Examiner—Jennifer Rivard

(74) *Attorney, Agent, or Firm*—Warner Norcross & Judd LLP

(73) Assignee: **Access Business Group International LLC**, Ada, MI (US)

(57) **CLAIM**

The ornamental design for a cosmetic container, as shown and described.

(**) Term: **14 Years**

DESCRIPTION

(21) Appl. No.: **29/321,327**

FIG. 1 is a top perspective view of the cosmetic container embodying the new design;

(22) Filed: **Jul. 15, 2008**

FIG. 2 is a bottom perspective view thereof;

(51) **LOC (8) Cl.** **28-03**

FIG. 3 is a rear view thereof, the front side being a mirror image thereof;

(52) **U.S. Cl.** **D28/83**

FIG. 4 is a right side view, the left side being a mirror image thereof;

(58) **Field of Classification Search** 132/286–288, 132/293–318; 206/581, 823; D28/76–84
See application file for complete search history.

FIG. 5 is a top view thereof;

FIG. 6 is a bottom view thereof;

(56) **References Cited**

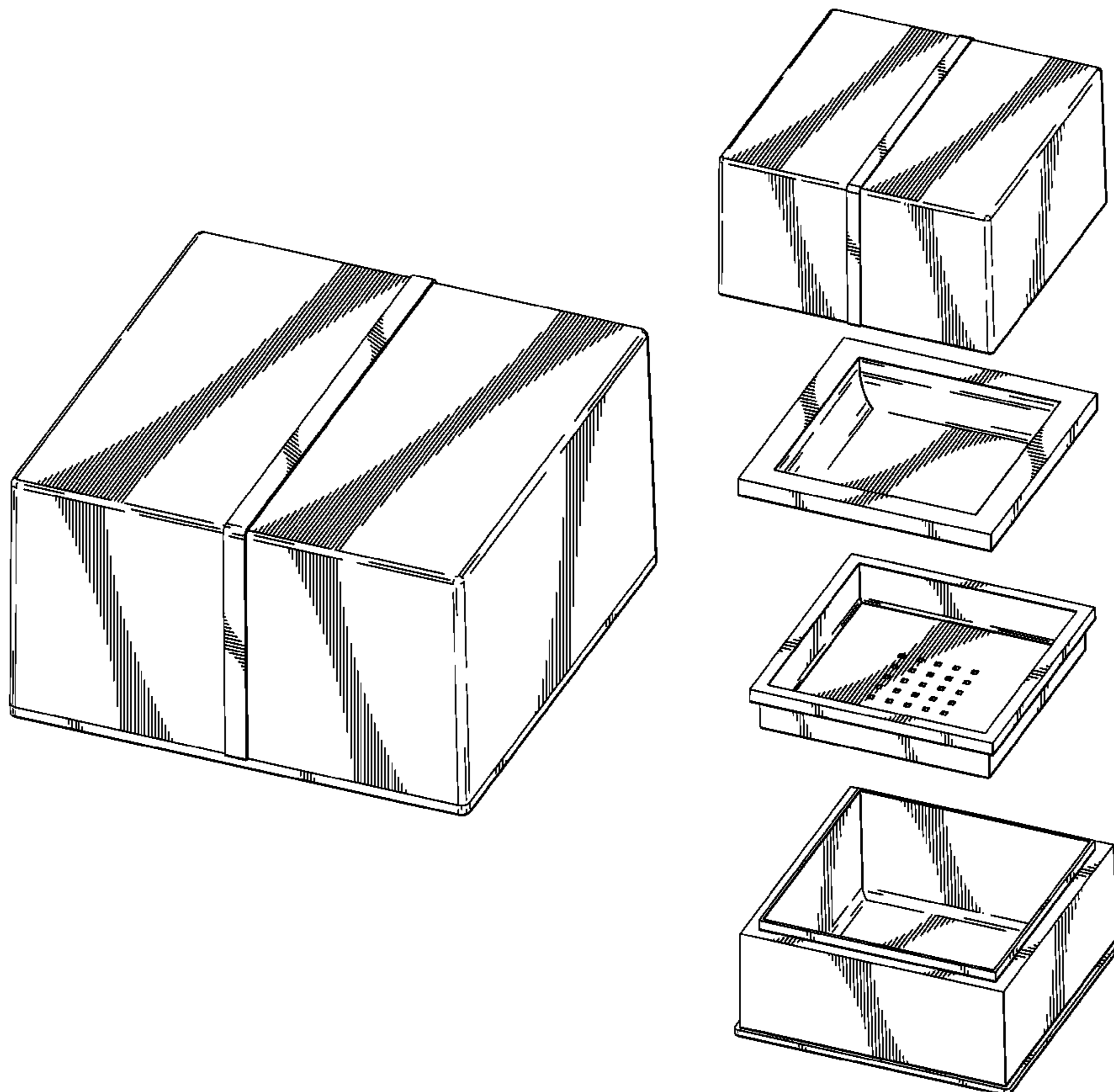
U.S. PATENT DOCUMENTS

D547,498 S * 7/2007 Dittmer et al. D28/83
D551,805 S * 9/2007 Dittmer et al. D28/83
D552,300 S * 10/2007 Dittmer et al. D28/83
2005/0087475 A1* 4/2005 Byun 206/581

FIG. 7 is a top perspective exploded view of the cosmetic container showing upper and lower internal trays; and,

FIG. 8 is a bottom perspective exploded view of the cosmetic container showing the upper and lower internal trays.

1 Claim, 8 Drawing Sheets



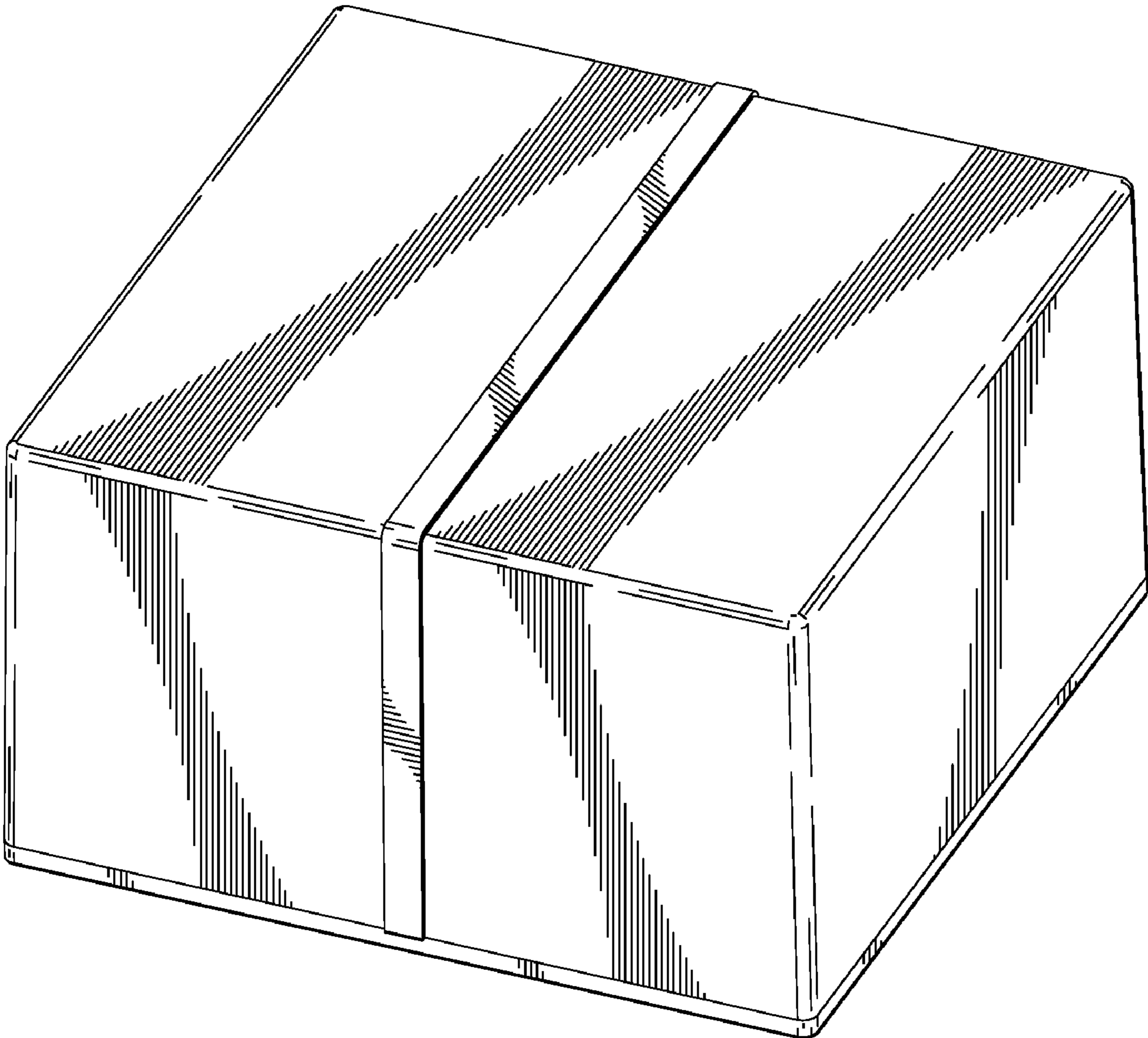


FIG. 1

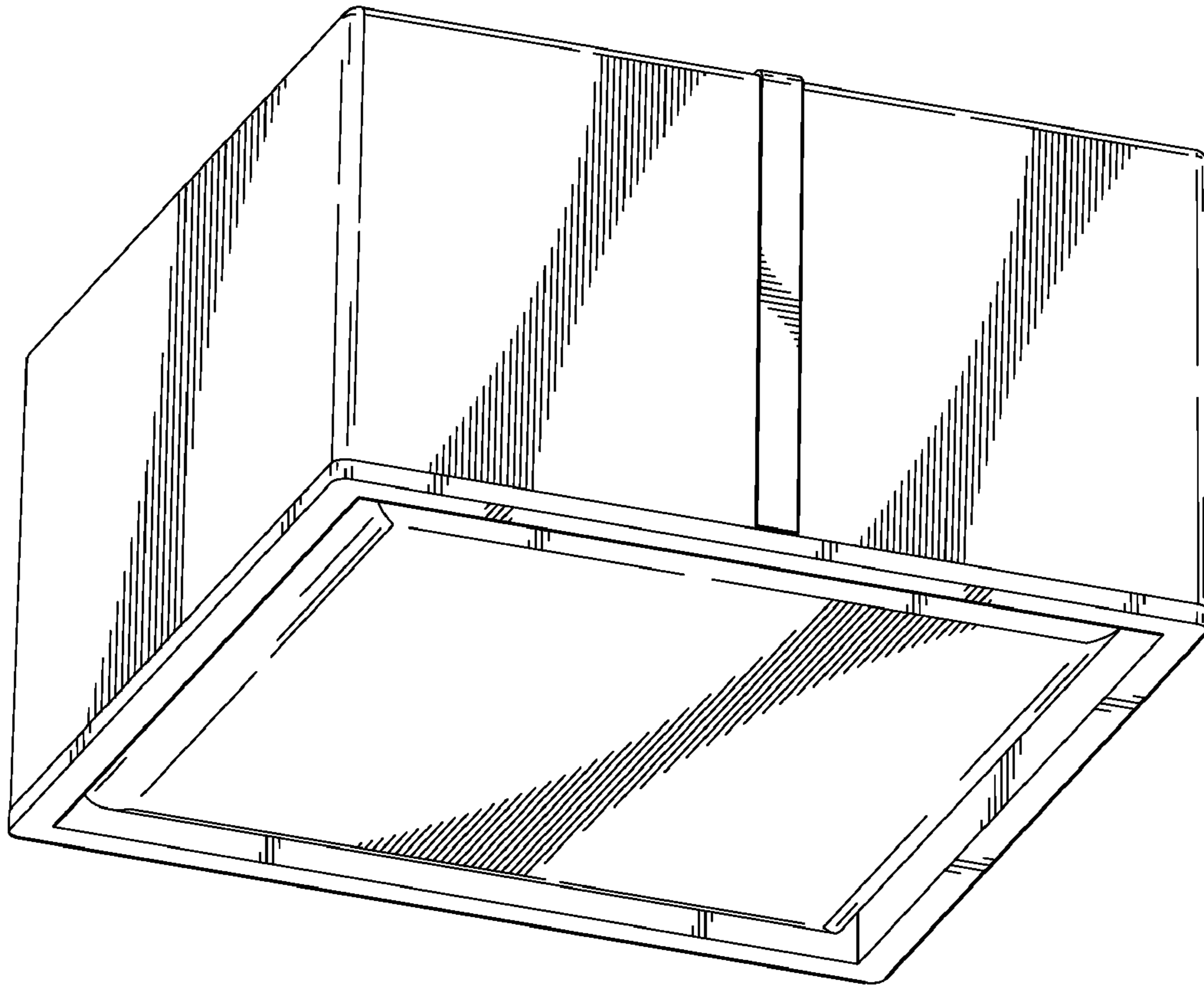


FIG. 2

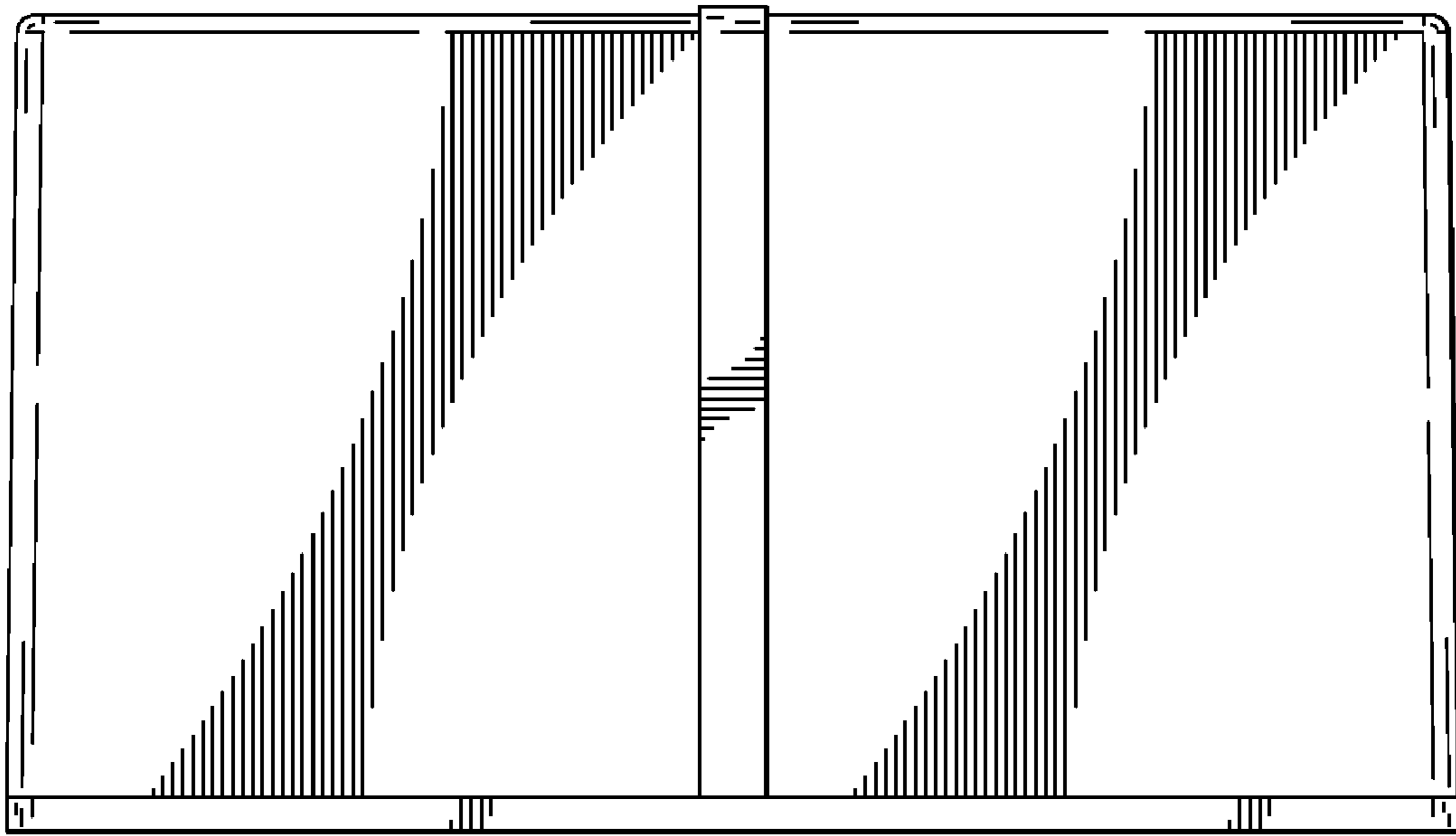


FIG. 3

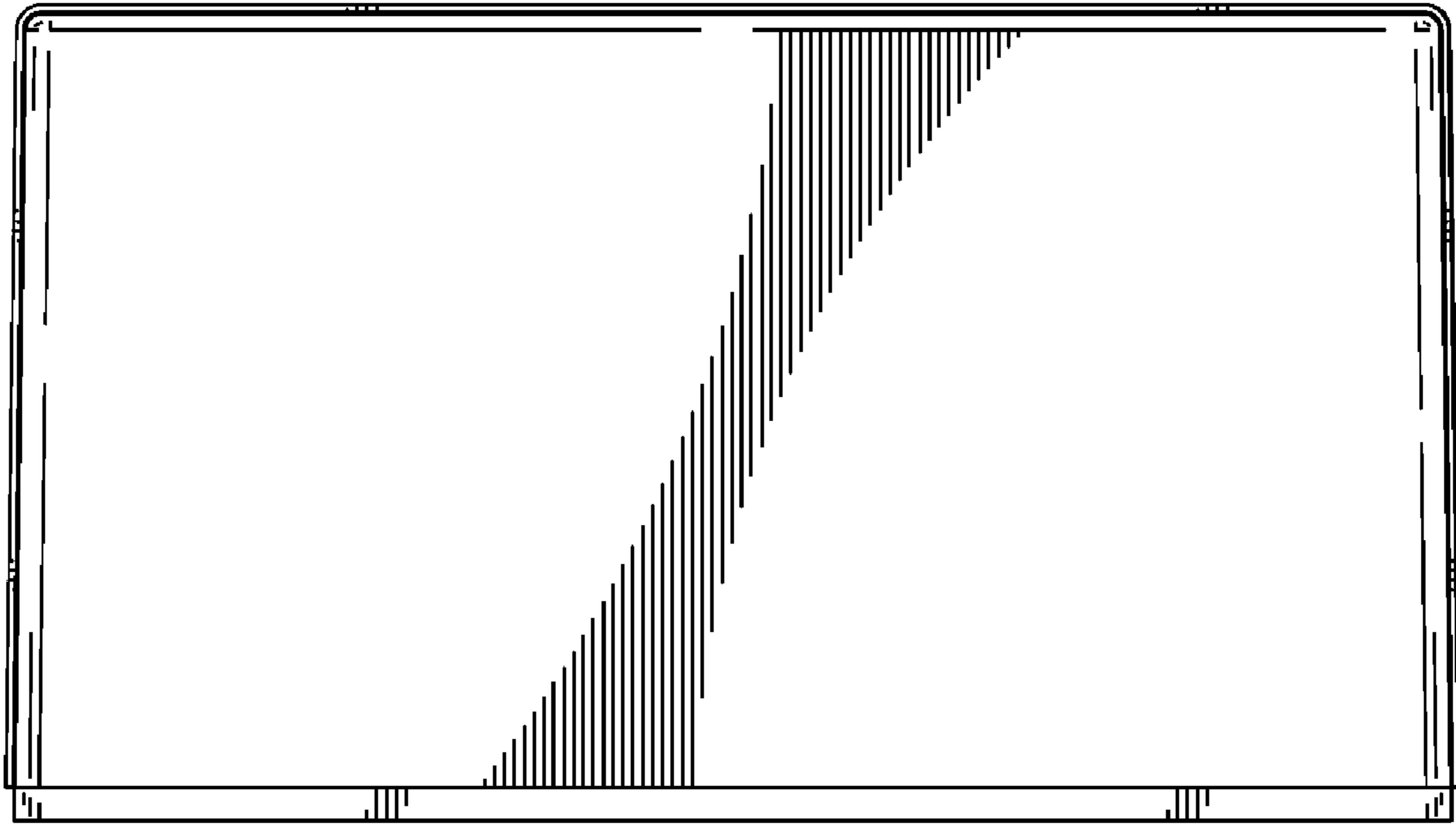


FIG. 4

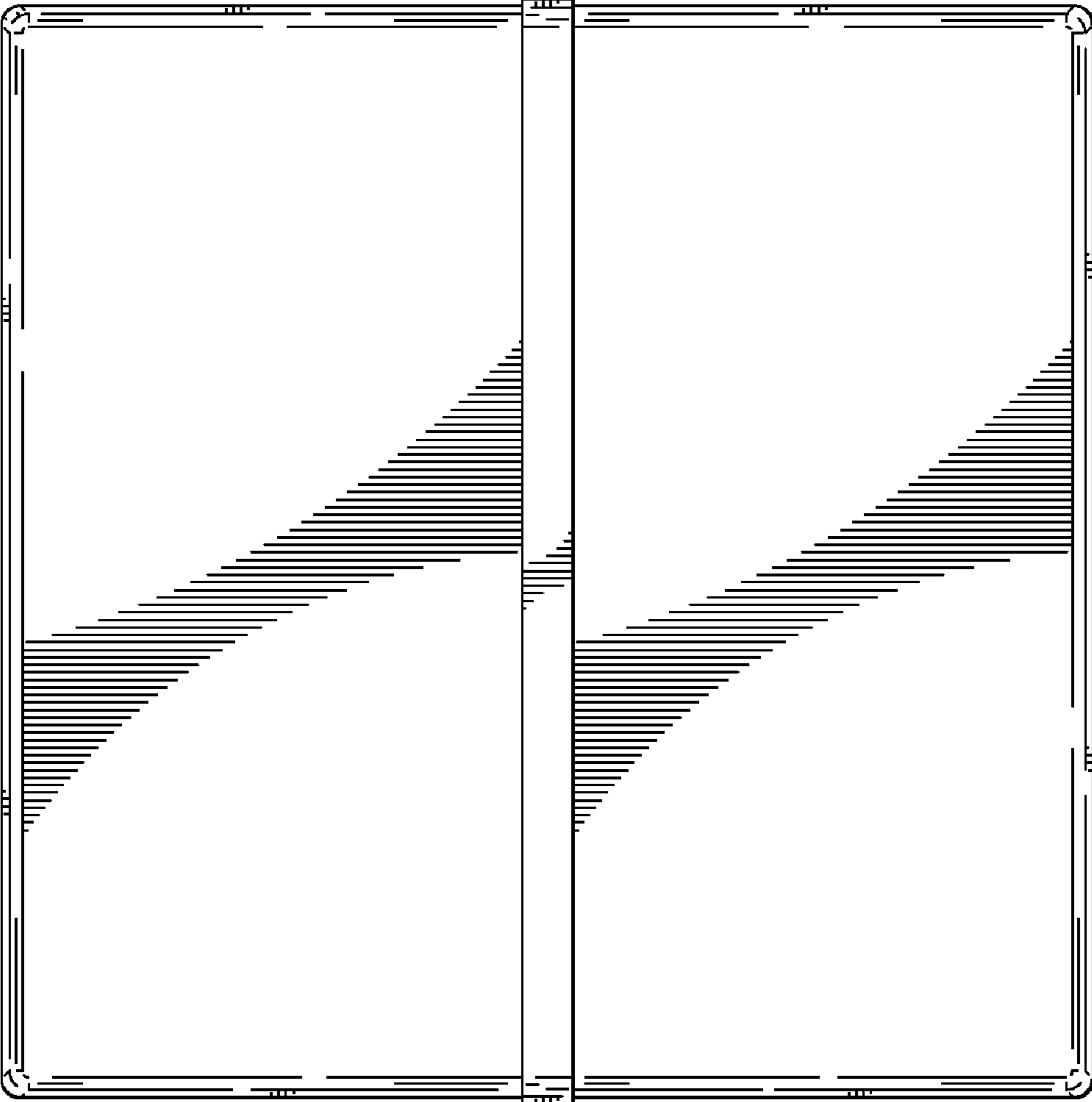


FIG. 5

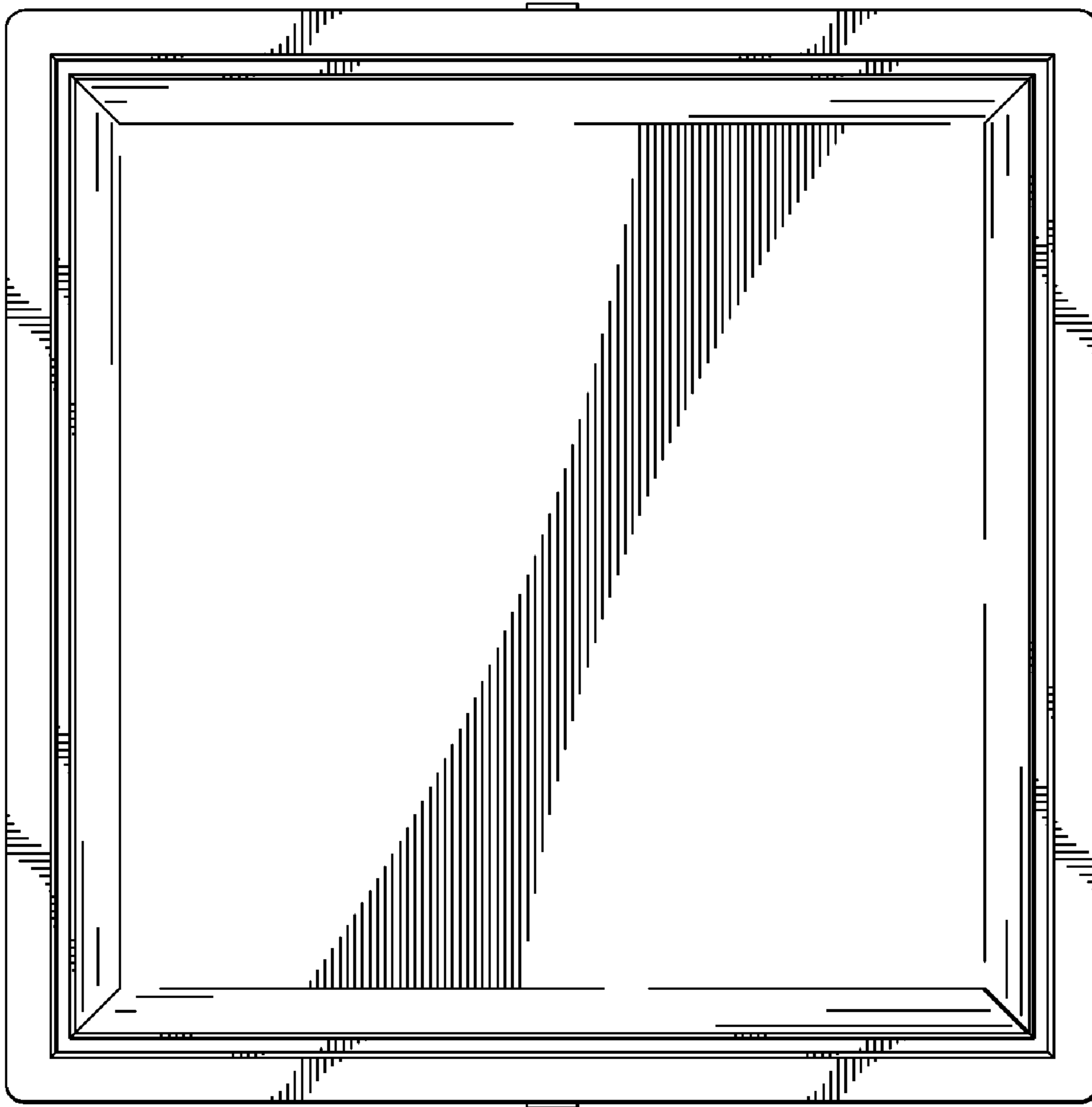


FIG. 6

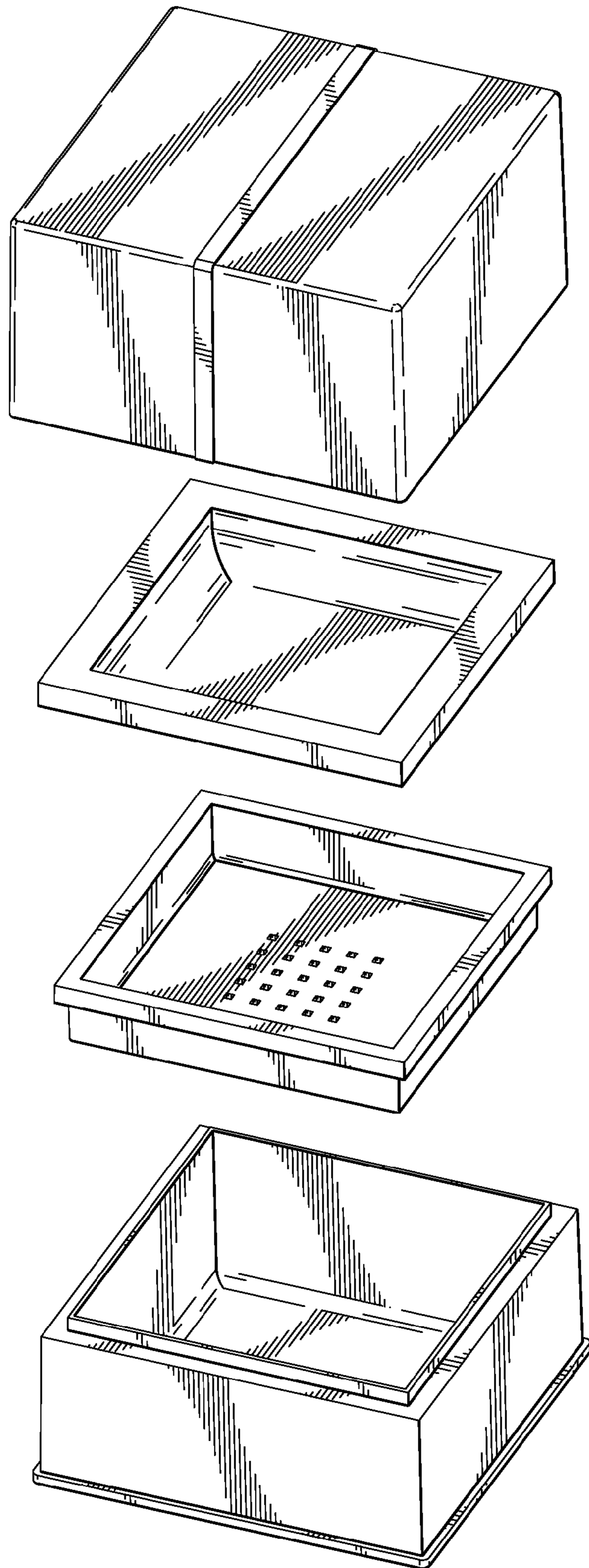


FIG. 7

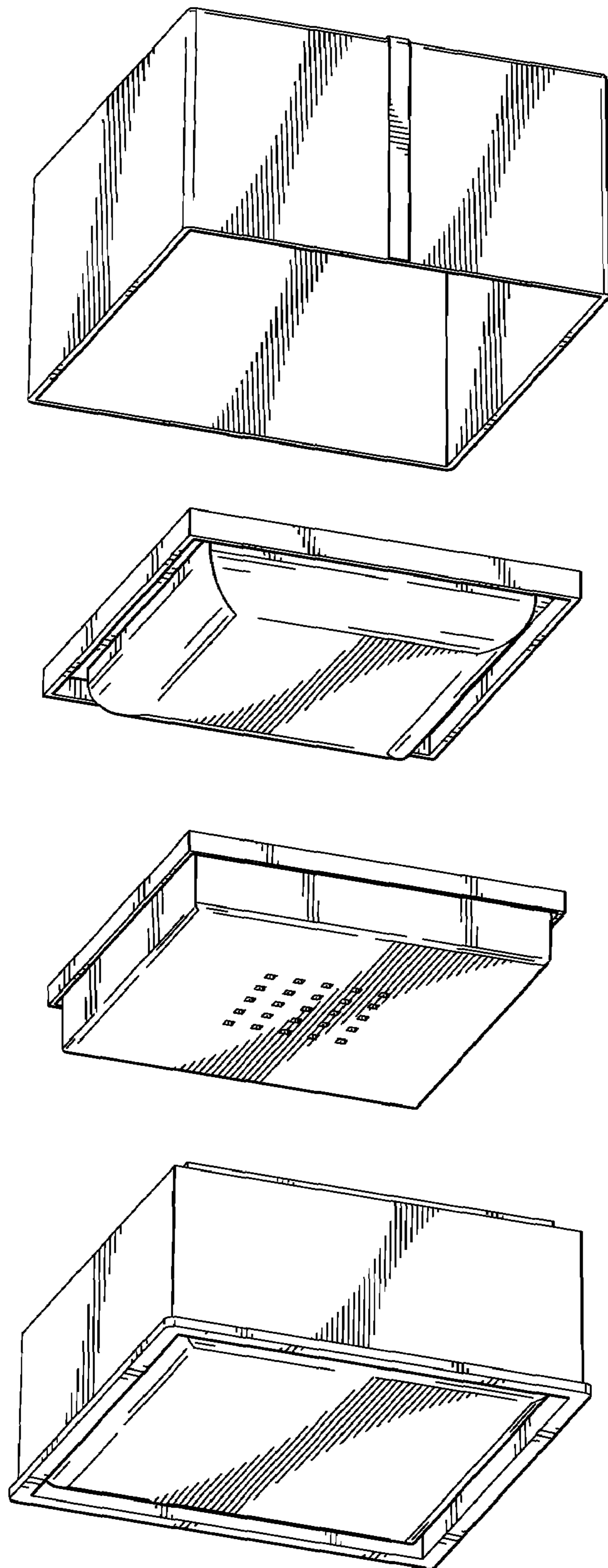


FIG. 8