



US00D581597S

(12) **United States Design Patent**
Martinez

(10) **Patent No.:** **US D581,597 S**

(45) **Date of Patent:** **** Nov. 25, 2008**

(54) **TWO-TIERED COMPACT**

(75) Inventor: **Sabine Martinez**, New York, NY (US)

(73) Assignee: **L'Oreal USA Creative, Inc.**, New York, NY (US)

(**) Term: **14 Years**

(21) Appl. No.: **29/298,639**

(22) Filed: **Dec. 10, 2007**

(51) **LOC (8) Cl.** **28-03**

(52) **U.S. Cl.** **D28/82**

(58) **Field of Classification Search** 132/286–288,
132/293–307, 312–318; D28/76–84; 206/581,
206/823; 220/4.27

See application file for complete search history.

(56) **References Cited**

U.S. PATENT DOCUMENTS

4,807,773	A *	2/1989	Tsai	206/823
D319,897	S	9/1991	Bakic	
D366,737	S *	1/1996	Chen	D28/78
5,632,394	A *	5/1997	Mecca et al.	206/823
D396,329	S	7/1998	Litton	
D439,376	S	3/2001	Lerolle	
D441,144	S *	4/2001	Vanoncini	D28/82
D449,410	S *	10/2001	Rodriguez et al.	D28/82
6,378,533	B1 *	4/2002	Roman	132/295
D525,136	S *	7/2006	Bakic	D28/82
D530,860	S *	10/2006	Funkhouser et al.	D28/82
2008/0060673	A1 *	3/2008	Shen	132/300

OTHER PUBLICATIONS

Arrowpack, Inc. compact.
Alcan—cosmetech compact.

http://www.wwpinc.com/products/prod_pg-img/LA0204-7.jpg.
L'Oreal—true match compact; Nov. 2005.

* cited by examiner

Primary Examiner—Jennifer Rivard

(74) *Attorney, Agent, or Firm*—Baker Botts L.L.P.

(57) **CLAIM**

The ornamental design for a two-tiered compact, as shown and described.

DESCRIPTION

FIG. 1 is a three-dimensional perspective view of the compact in an opened position;

FIG. 2 is a right side view of the compact opened with top cap closed;

FIG. 3 is a left side view of the compact opened with top cap closed;

FIG. 4 is a right side view with the compact closed with the cap opened;

FIG. 5 is a left view with the compact closed with the cap opened;

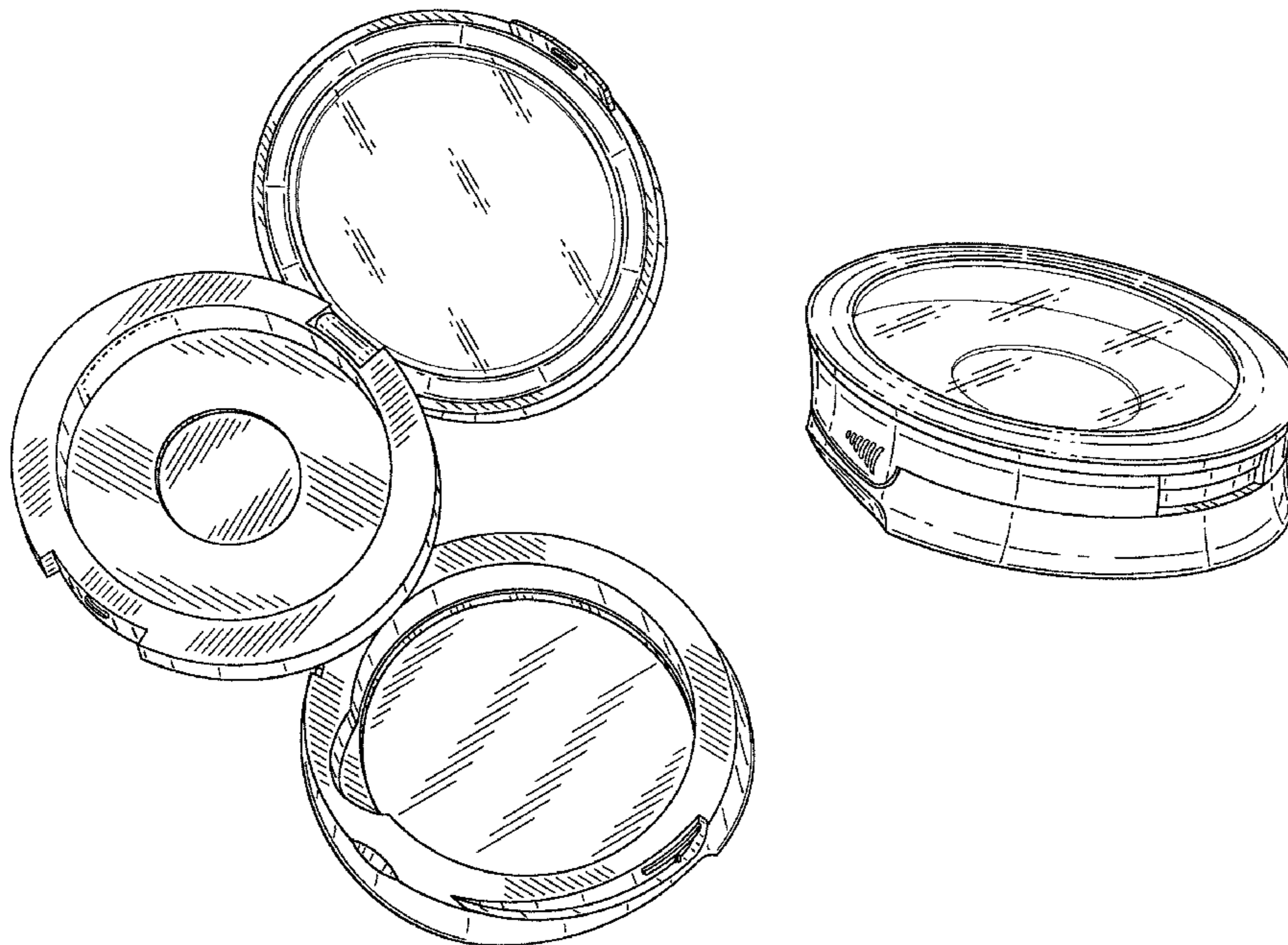
FIG. 6 is a top view with the compact opened and the top opened;

FIG. 7 is a bottom view with the compact opened and the top opened; and,

FIG. 8 is a three-dimensional perspective view of the compact in a closed position.

The broken line showing of the interior of the compact is included for the purpose of illustrating portions of the article and forms no part of the claimed design.

1 Claim, 5 Drawing Sheets



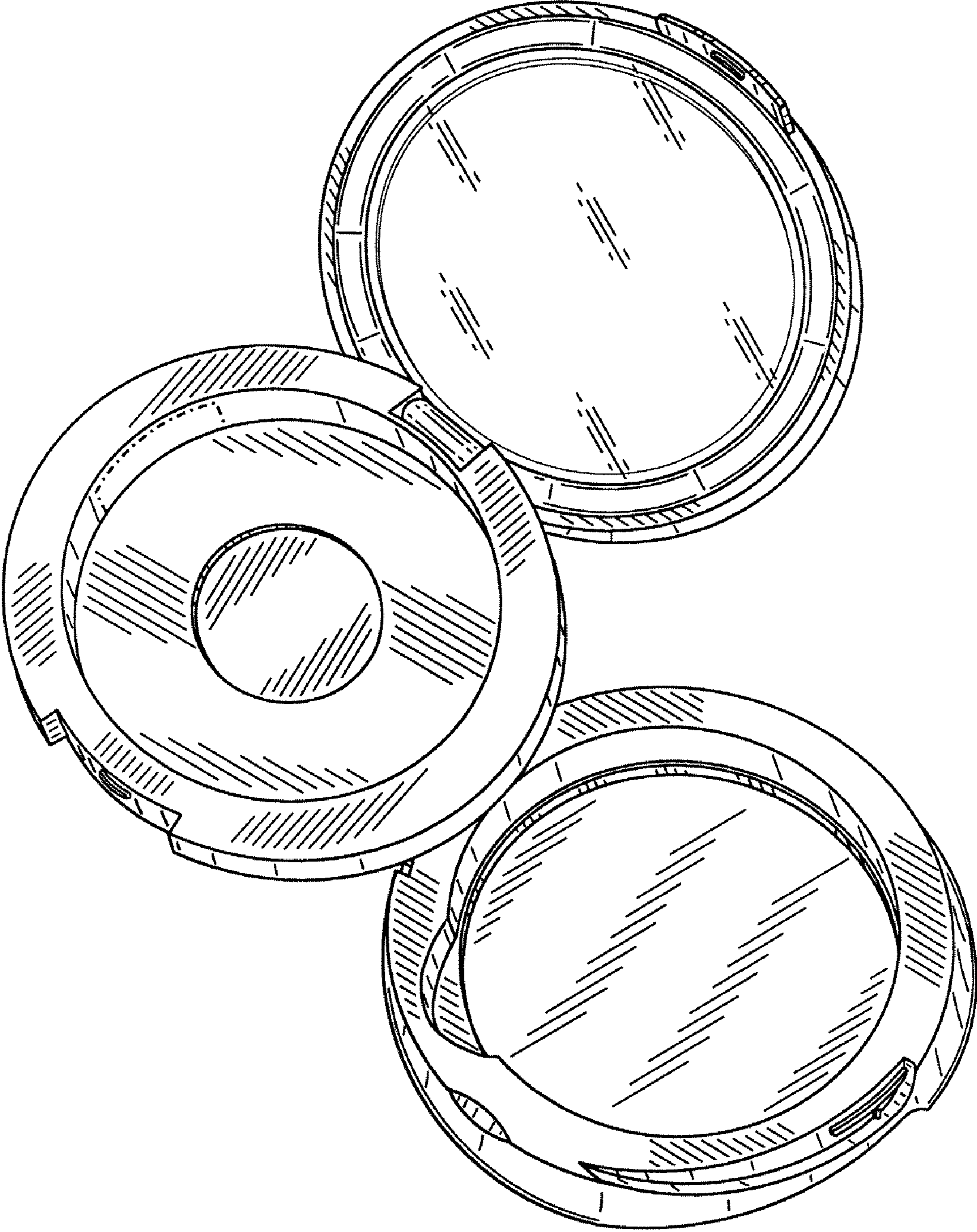


FIG. 1

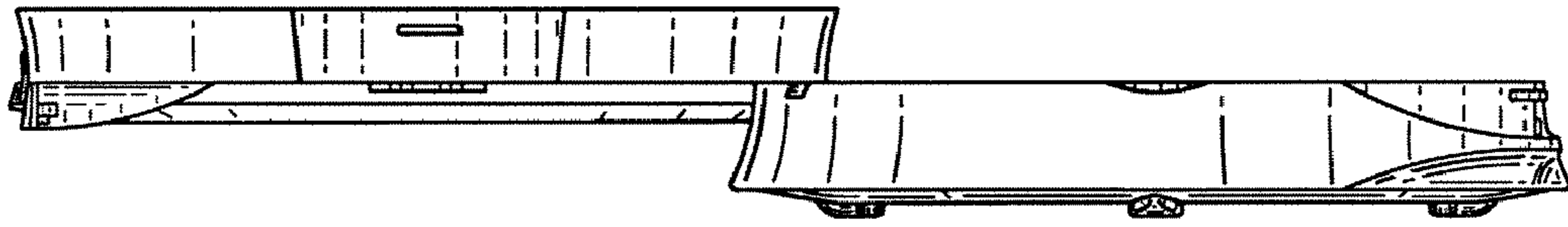


FIG. 2

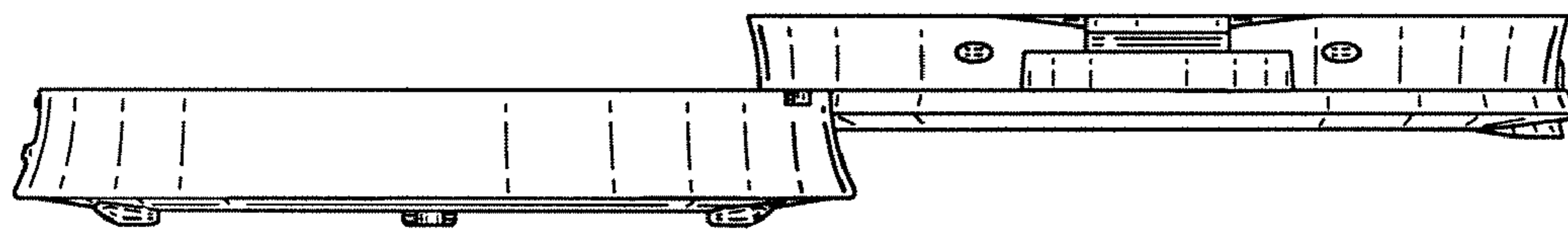


FIG. 3

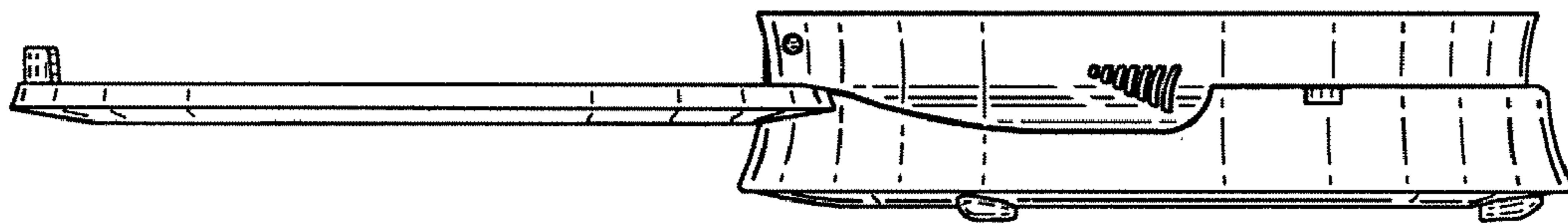


FIG. 4

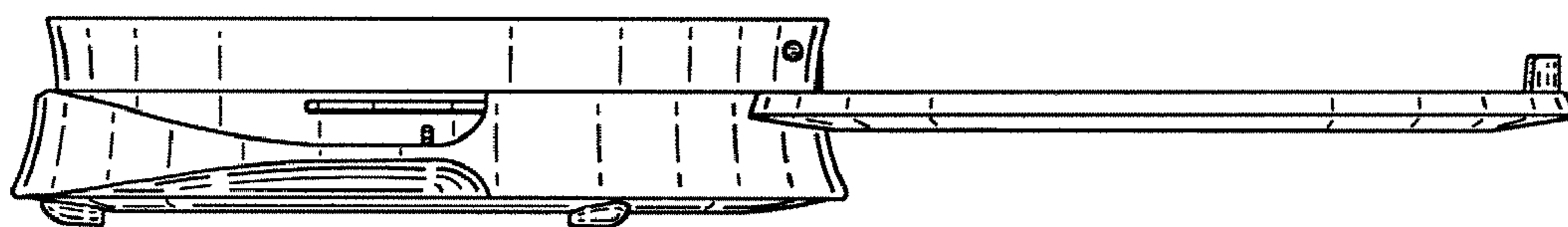


FIG. 5

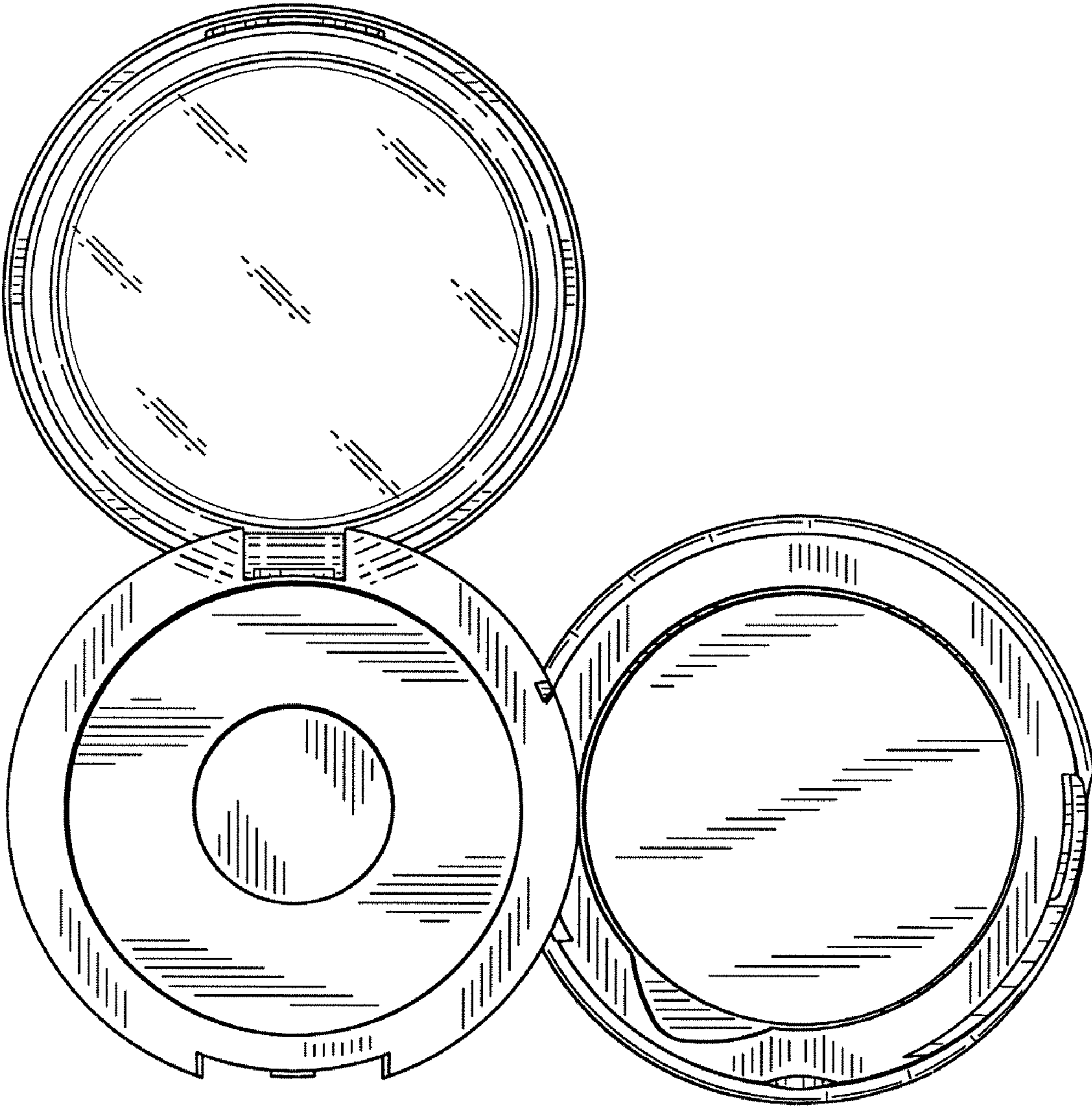


FIG. 6

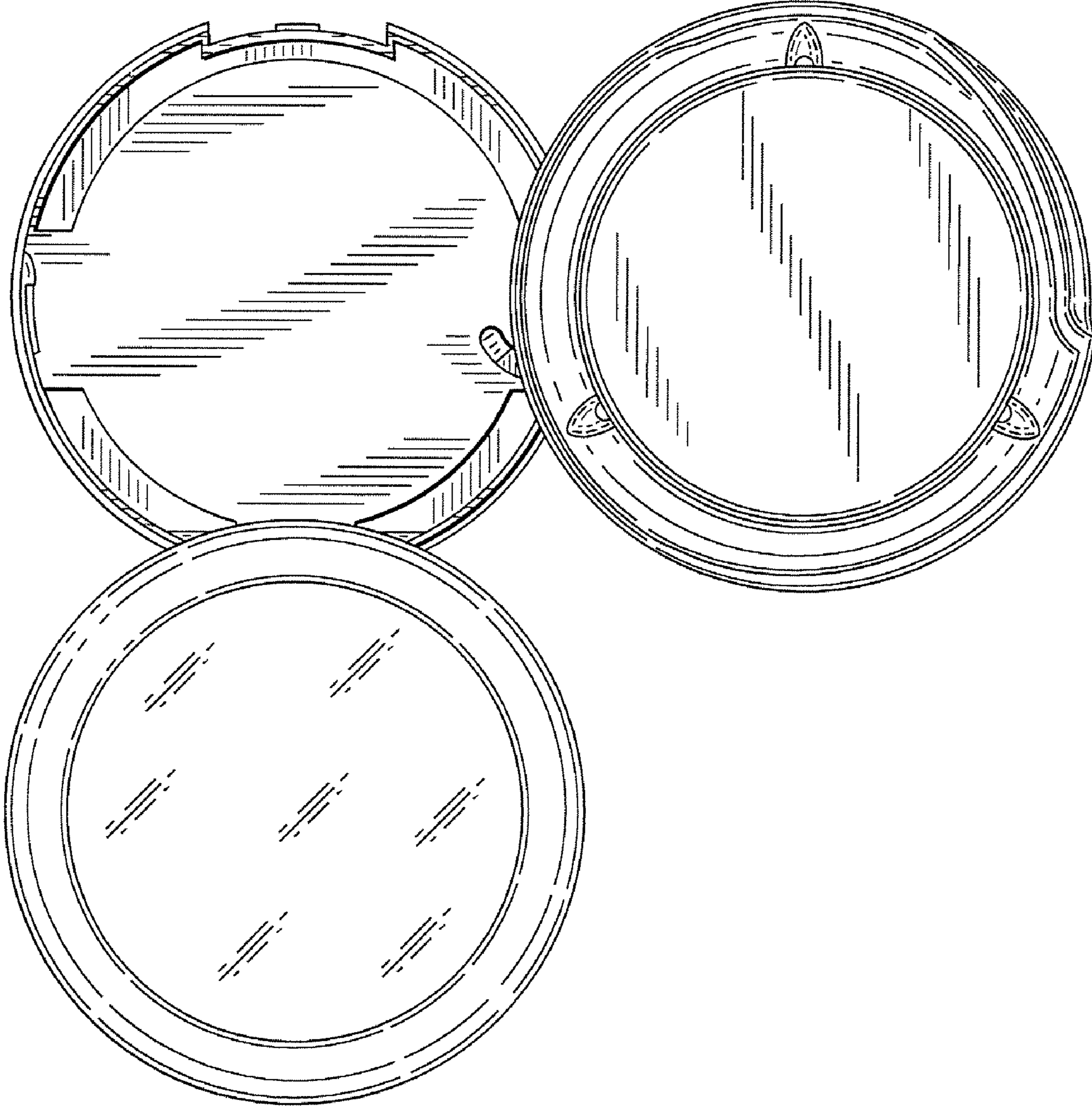


FIG. 7

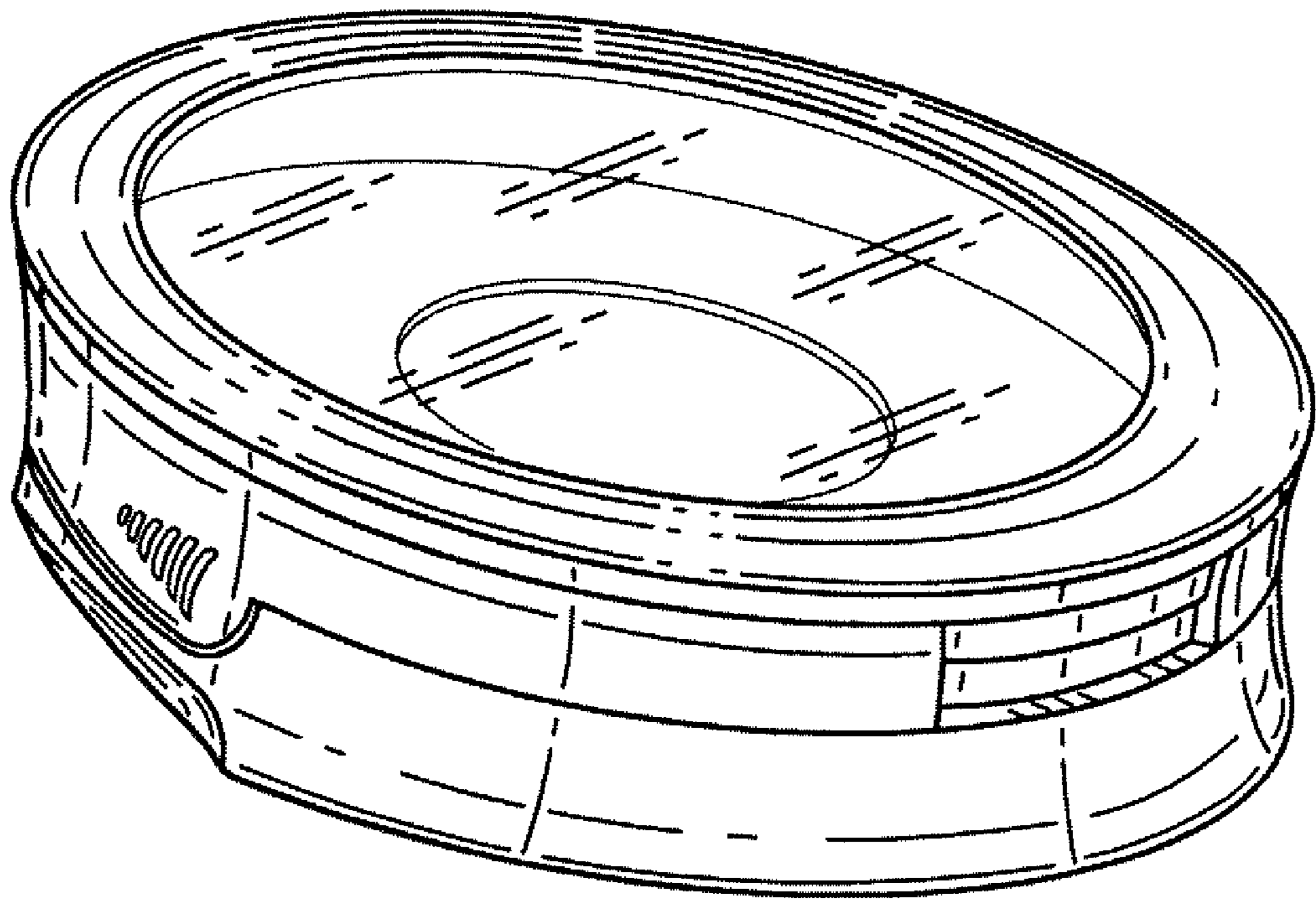


FIG. 8