



US00D581596S

(12) **United States Design Patent**
Sarway

(10) **Patent No.:** **US D581,596 S**

(45) **Date of Patent:** **** Nov. 25, 2008**

(54) **ELECTRIC NAIL FILE DEVICE**

(76) **Inventor:** **Charles Sarway**, 580 Warren Ave.,
Lakewood, NJ (US) 08701

(**) **Term:** **14 Years**

(21) **Appl. No.:** **29/303,971**

(22) **Filed:** **Feb. 21, 2008**

(51) **LOC (8) Cl.** **28-03**

(52) **U.S. Cl.** **D28/59**

(58) **Field of Classification Search** 132/73,
132/73.5, 75.3, 75.4, 75.5, 75.6, 76.2, 76.4,
132/76.5; D28/56-62

See application file for complete search history.

(56) **References Cited**

U.S. PATENT DOCUMENTS

3,916,921	A	11/1975	Pesola	
4,683,897	A	8/1987	McBride	
D341,678	S *	11/1993	Sulik D28/58
5,355,545	A *	10/1994	Hoagland 132/73.5
D406,335	S *	3/1999	Picha et al. D24/112
D448,483	S *	9/2001	Behnke D28/58
D452,589	S *	12/2001	Lie D28/58
6,640,811	B2	11/2003	Cho	
6,745,486	B2	6/2004	Stetson-Buck	
6,799,579	B2	10/2004	Joseph	

6,990,984	B2	1/2006	O'Dwyer	
7,188,628	B2	3/2007	Shubert et al.	
D546,502	S *	7/2007	Lund et al. D28/60
2006/0137703	A1	6/2006	Kling	
2006/0260629	A1	11/2006	Chern	

* cited by examiner

Primary Examiner—Jennifer Rivard

(74) *Attorney, Agent, or Firm*—Gottlieb, Rackman & Reisman

(57) **CLAIM**

The ornamental design for an electric nail file device, as shown and described.

DESCRIPTION

FIG. 1 is a perspective view of an electric nail file device;

FIG. 2 is a top plan view thereof;

FIG. 3 is a rear elevational view thereof;

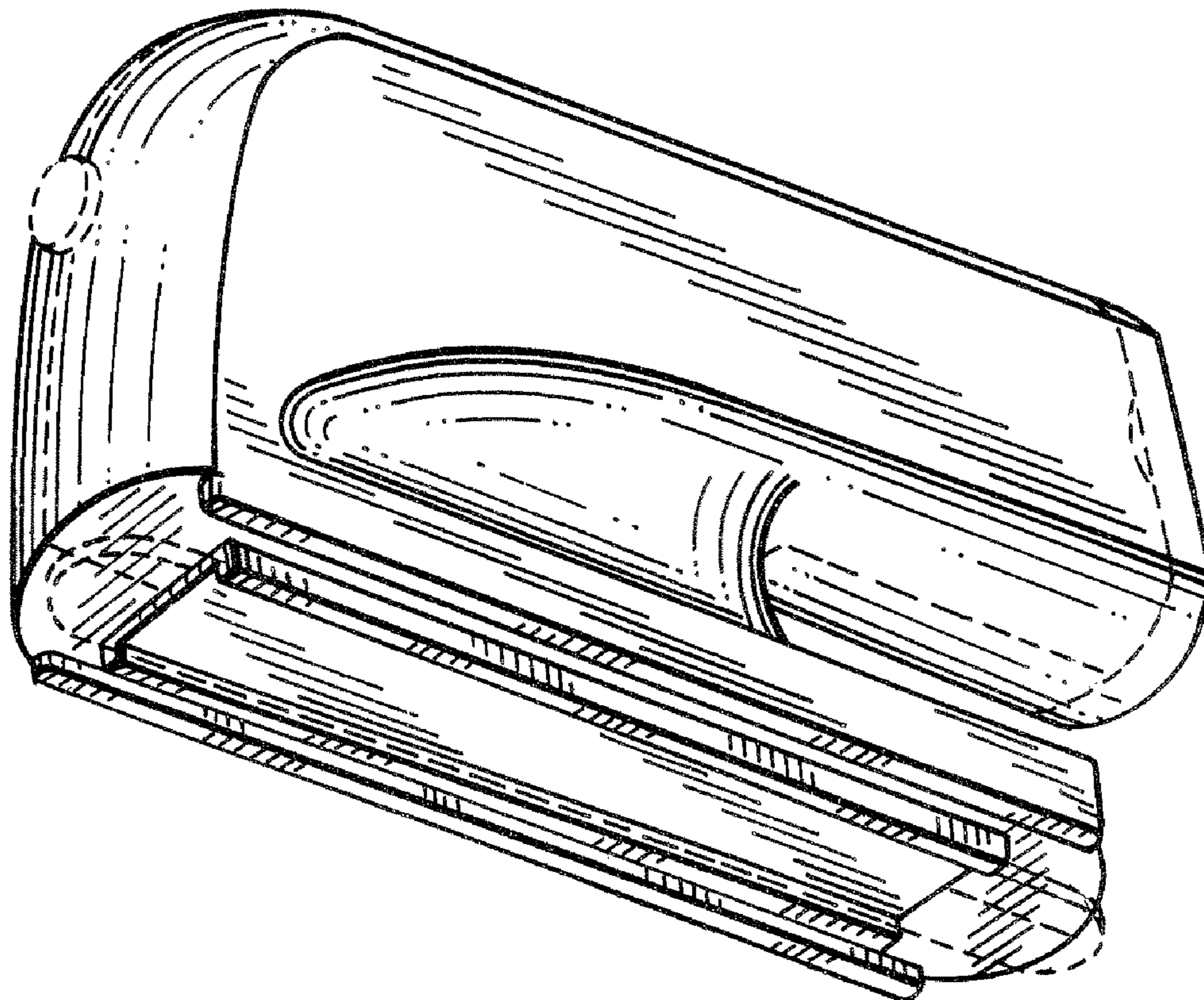
FIG. 4 is a side elevational view thereof;

FIG. 5 is a front elevation view thereof; and,

FIG. 6 is a bottom plan view thereof.

The broken lines shown along the body of the device are included for the purpose of illustrating portions of the article and form no part of the claimed design.

1 Claim, 3 Drawing Sheets



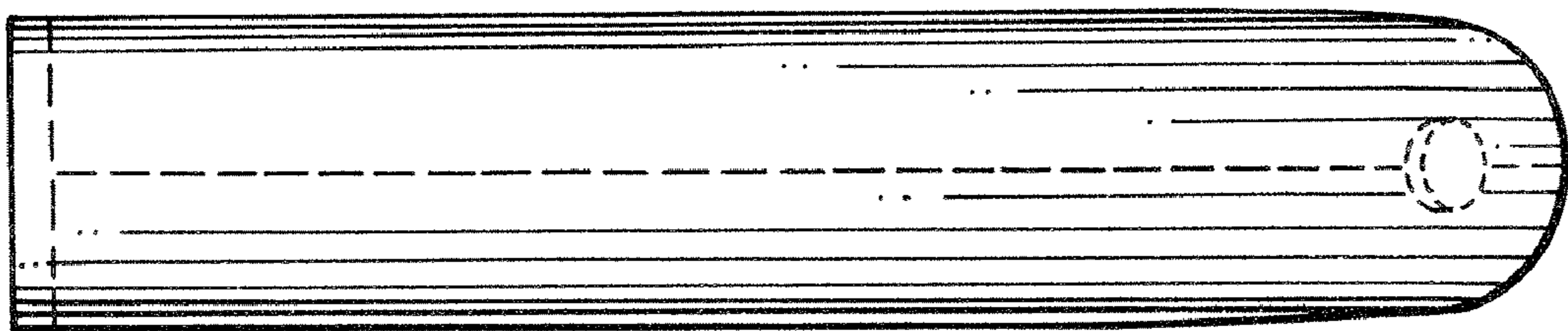
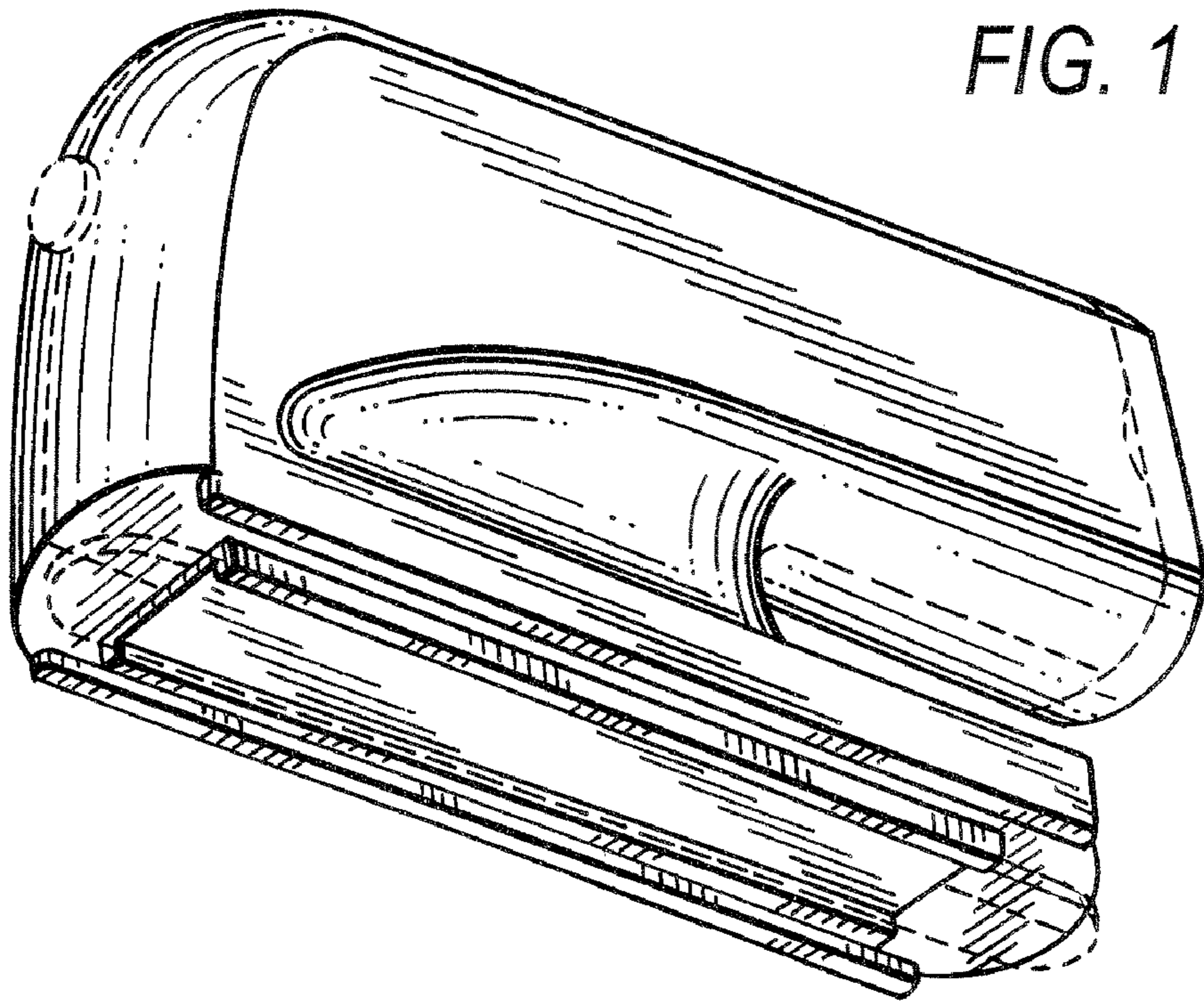


FIG. 2

FIG. 3

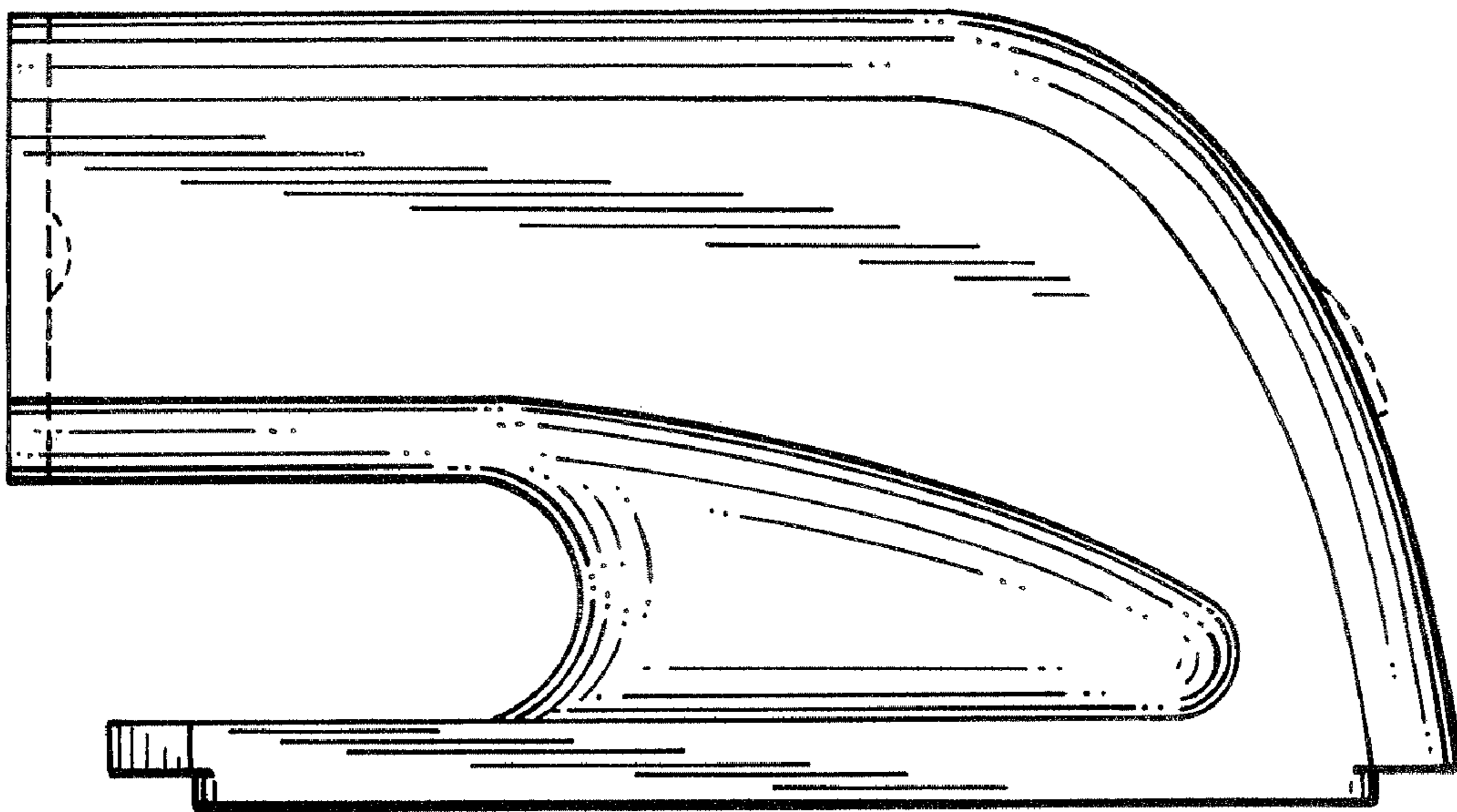
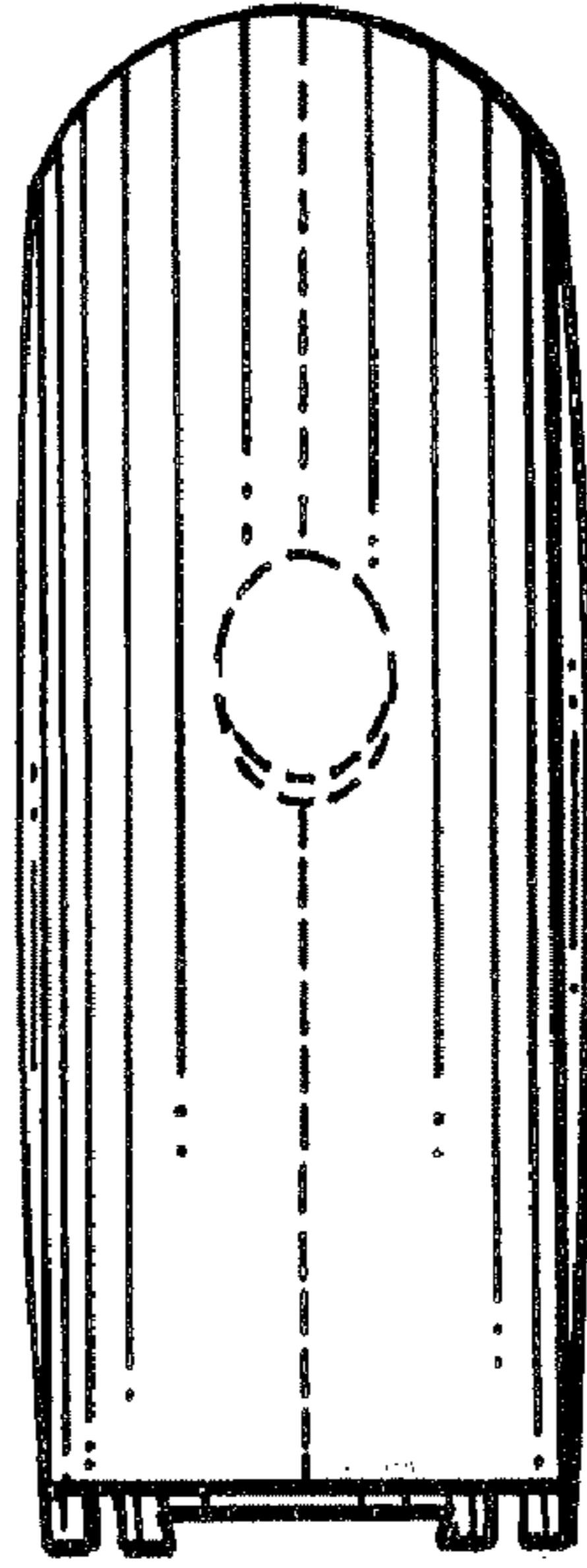


FIG. 4

FIG. 5

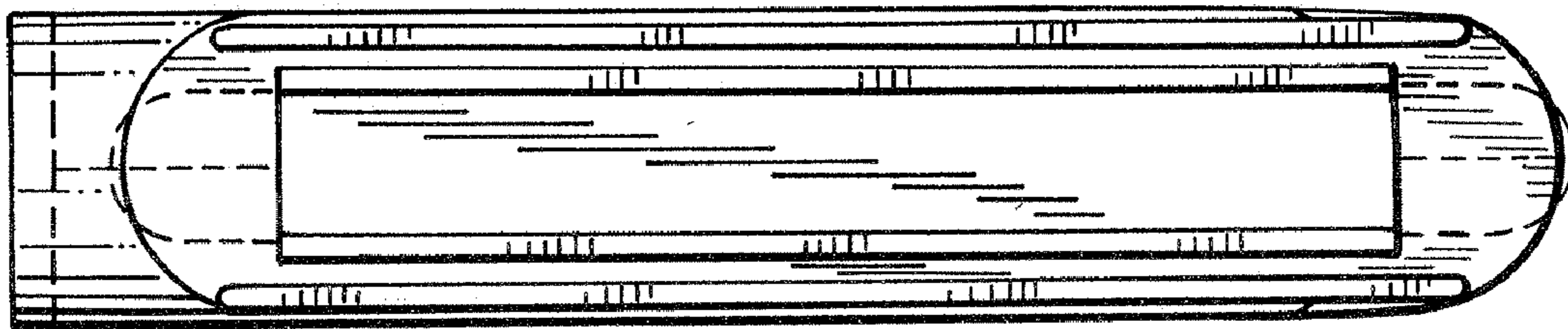
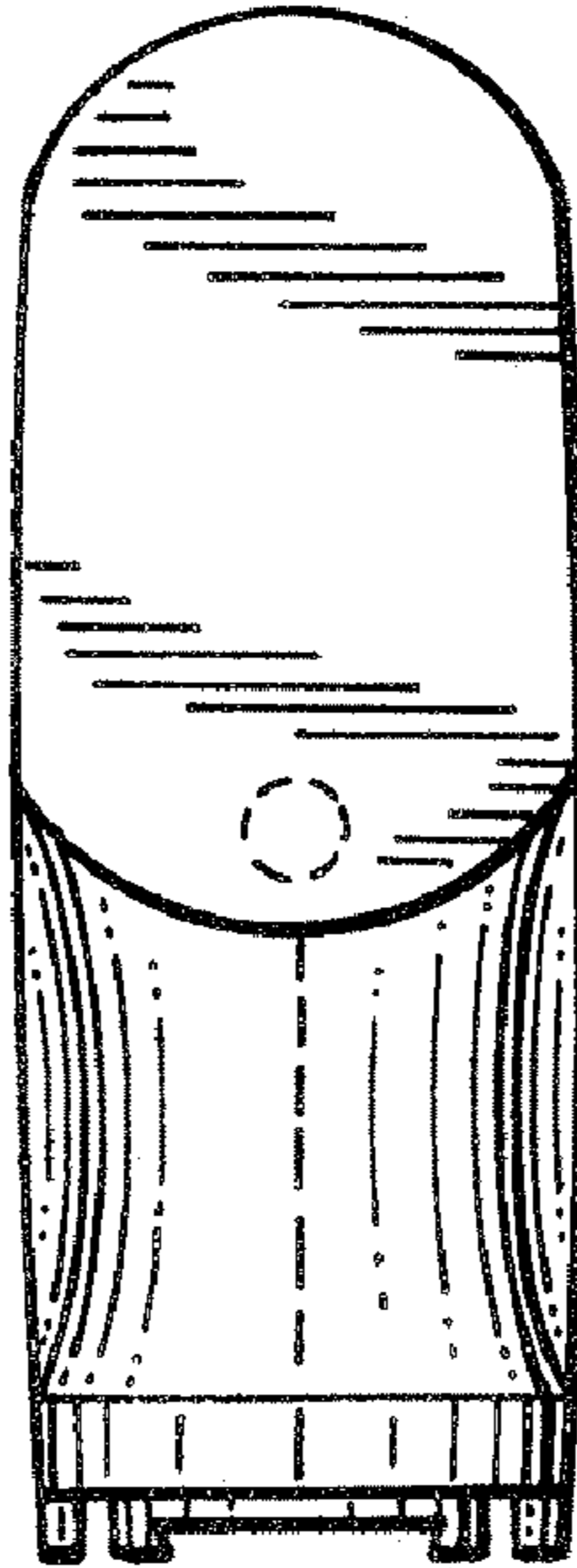


FIG. 6