



US00D581591S

(12) **United States Design Patent**  
**Hein**

(10) **Patent No.:** **US D581,591 S**

(45) **Date of Patent:** **\*\* Nov. 25, 2008**

(54) **HAIR STRAIGHTENER**

(75) Inventor: **John Hein**, Leeds (GB)

(73) Assignee: **Jemella Group Limited**, Manchester (GB)

(\*\*) Term: **14 Years**

(21) Appl. No.: **29/304,484**

(22) Filed: **Mar. 3, 2008**

(30) **Foreign Application Priority Data**

Sep. 3, 2007 (EM) ..... 000785001

(51) **LOC (8) Cl.** ..... **28-03**

(52) **U.S. Cl.** ..... **D28/35**

(58) **Field of Classification Search** ..... D28/35;  
132/222–225, 227–229, 236, 245; 219/222,  
219/225, 226

See application file for complete search history.

(56) **References Cited**

**U.S. PATENT DOCUMENTS**

D480,176 S *	9/2003	Ouellette	.....	D28/35
D485,011 S *	1/2004	Nam	.....	D28/35
D561,936 S *	2/2008	Leung	.....	D28/35
D567,999 S *	4/2008	Leung	.....	D28/35
D570,043 S *	5/2008	Leung	.....	D28/35

\* cited by examiner

*Primary Examiner*—Jennifer Rivard  
(74) *Attorney, Agent, or Firm*—Adams Intellectual Property Law, P.A.

(57) **CLAIM**

I claim the ornamental design for a hair straightener, as shown and described.

**DESCRIPTION**

FIG. 1 is a perspective view of a hair straightener, showing my design;

FIG. 2 is a top view thereof;

FIG. 3 is a bottom view thereof;

FIG. 4 is a side elevation view thereof, the opposite side being a mirror image thereof;

FIG. 5 is a front elevation view thereof;

FIG. 6 is a perspective view of another embodiment of the hair straightener, showing my design;

FIG. 7 is a top view thereof;

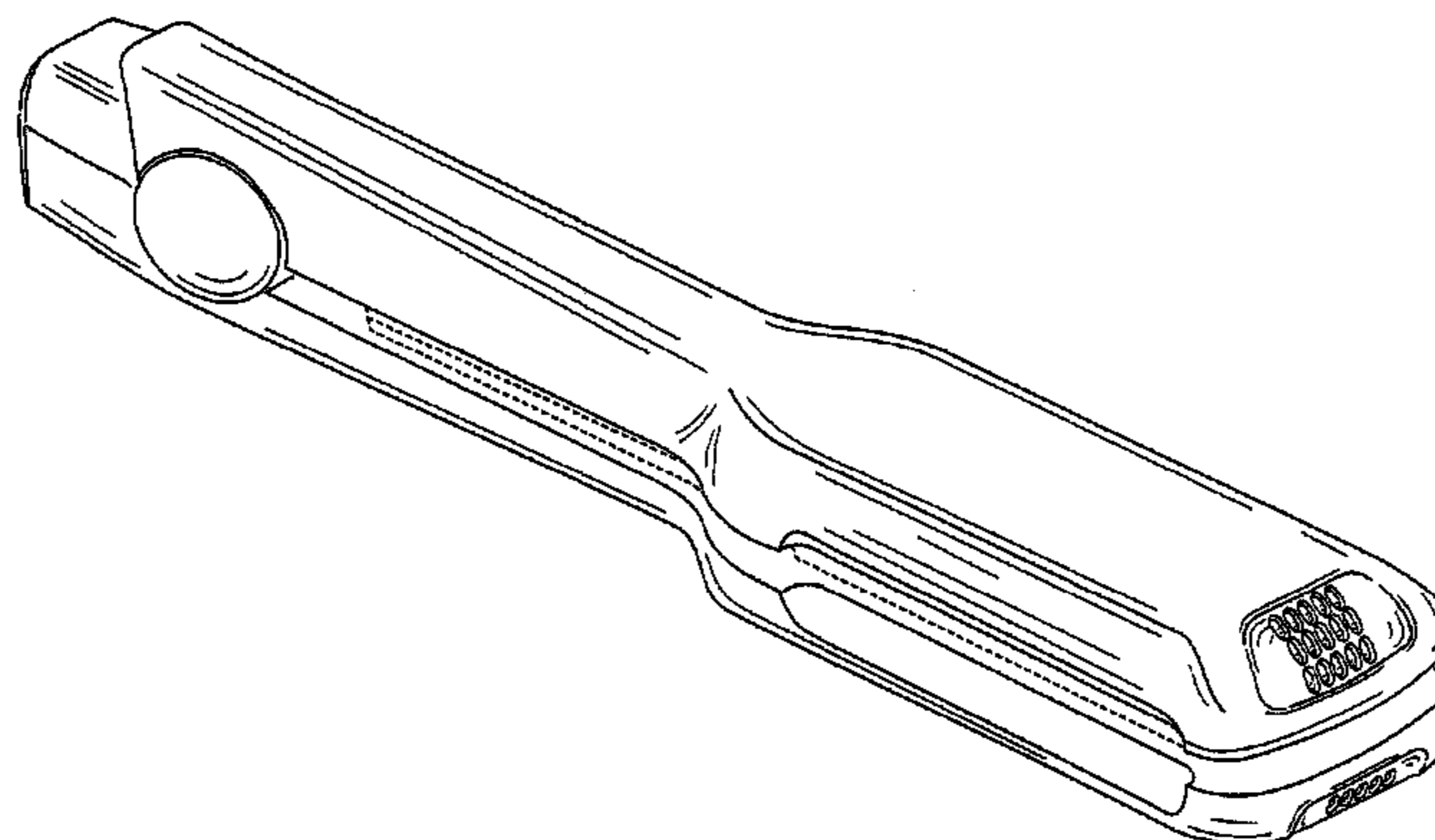
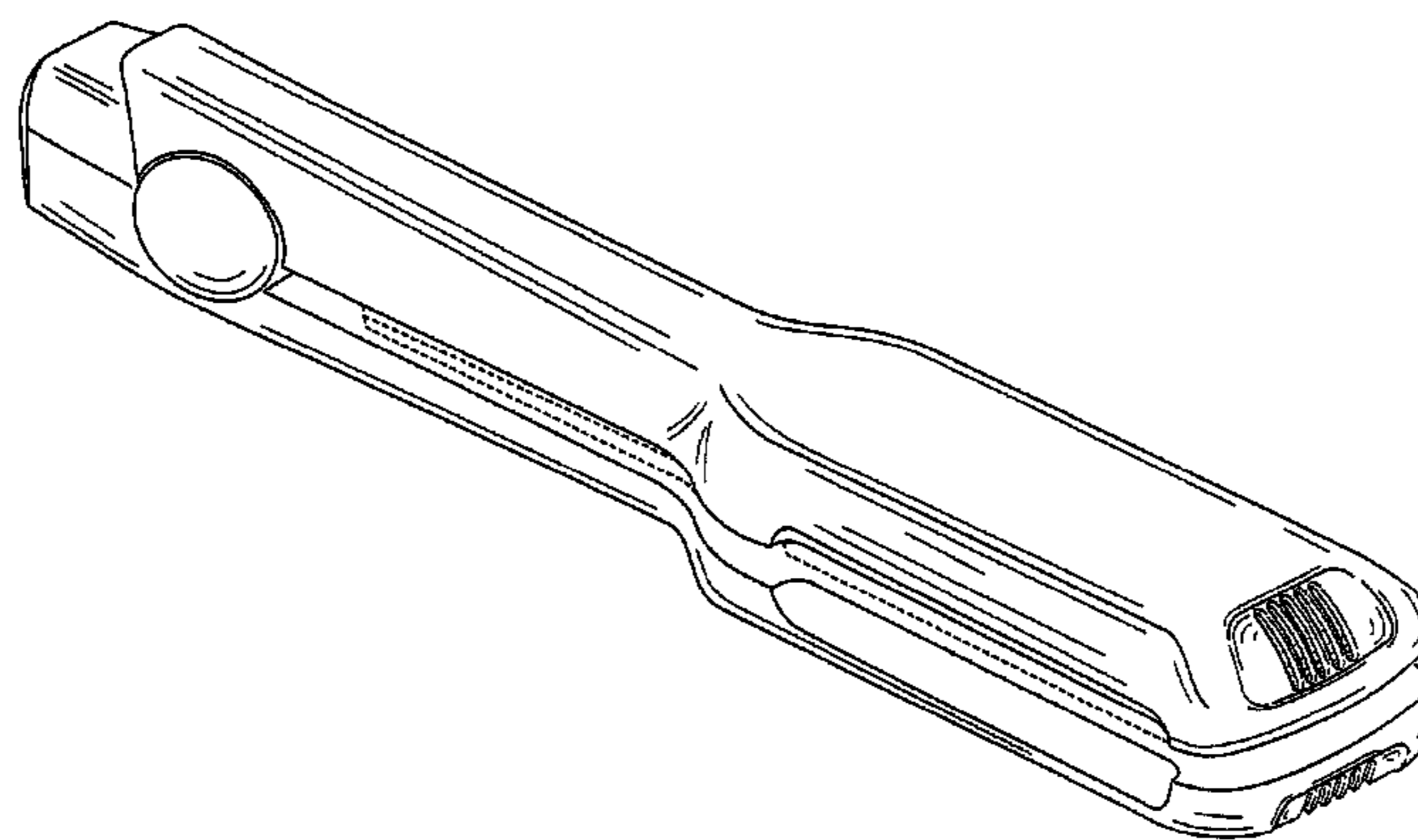
FIG. 8 is a bottom view thereof;

FIG. 9 is a side elevation view thereof, the opposite side being a mirror thereof; and,

FIG. 10 is a front elevation view thereof.

The broken line showing of the interior structure of the hair straightener is included for the purpose of illustrating portions of the article and forms no part of the claimed design.

**1 Claim, 6 Drawing Sheets**



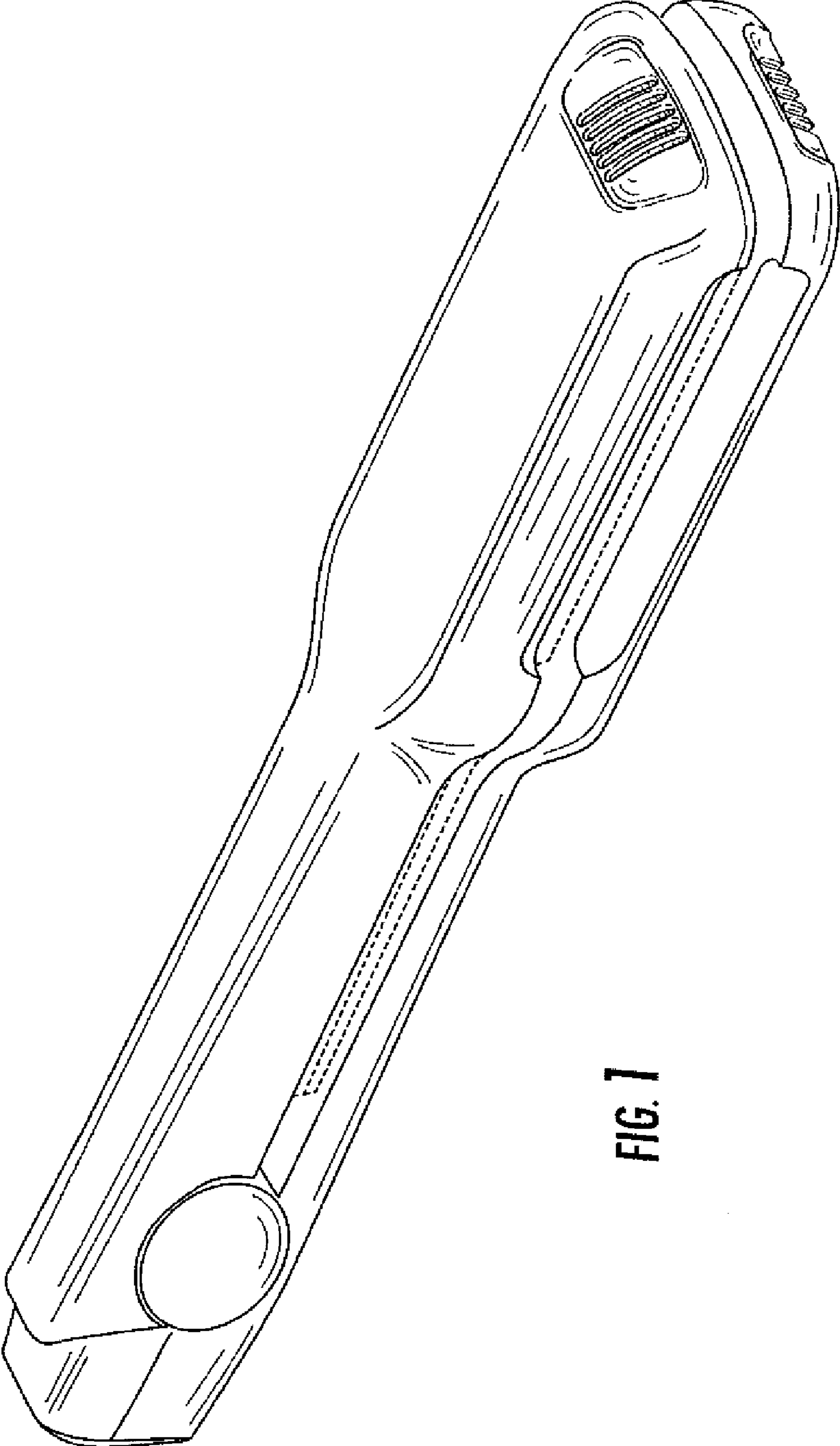


FIG. 1

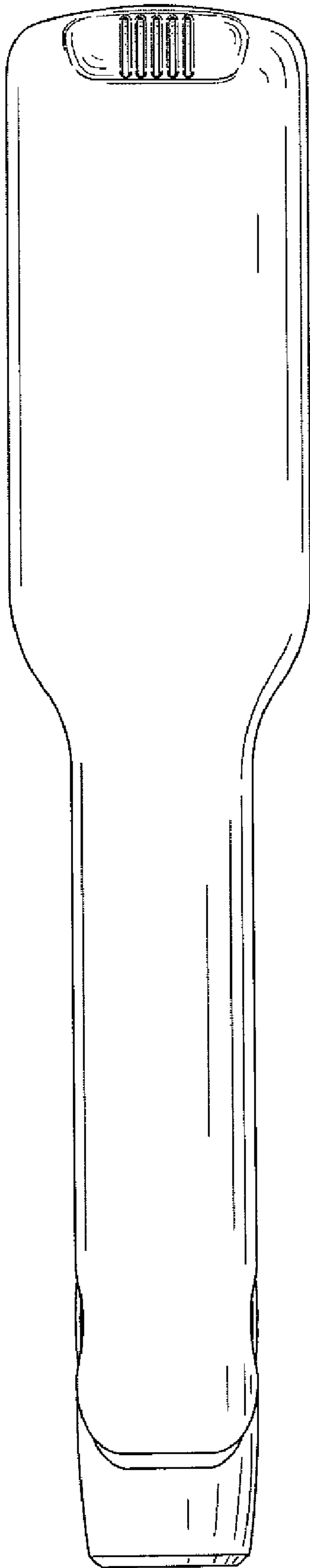


FIG. 2

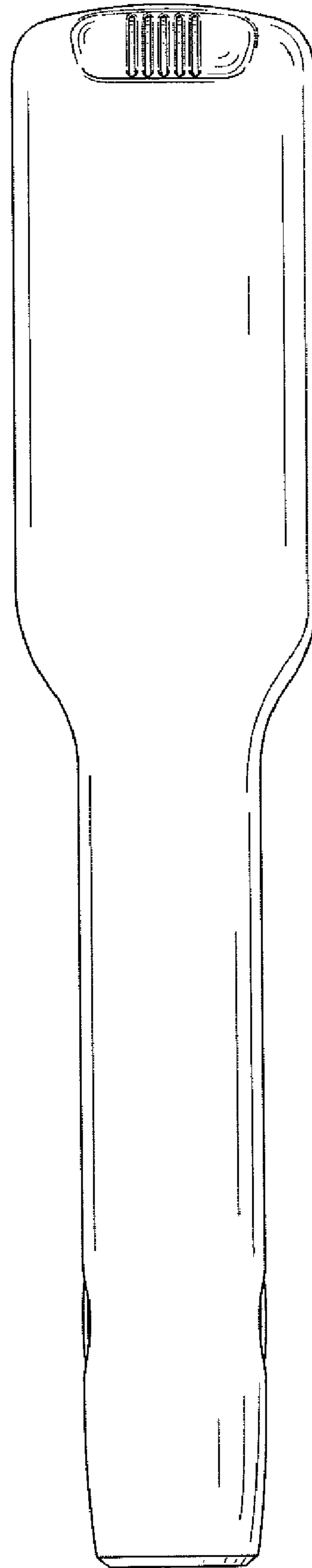


FIG. 3

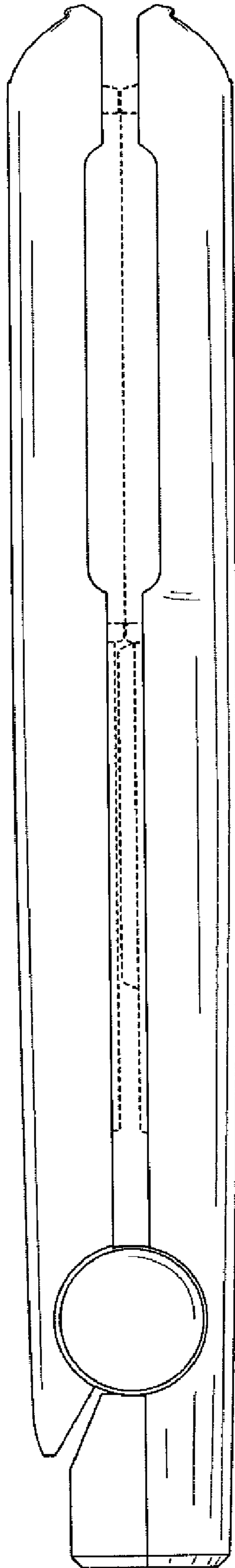


FIG. 4

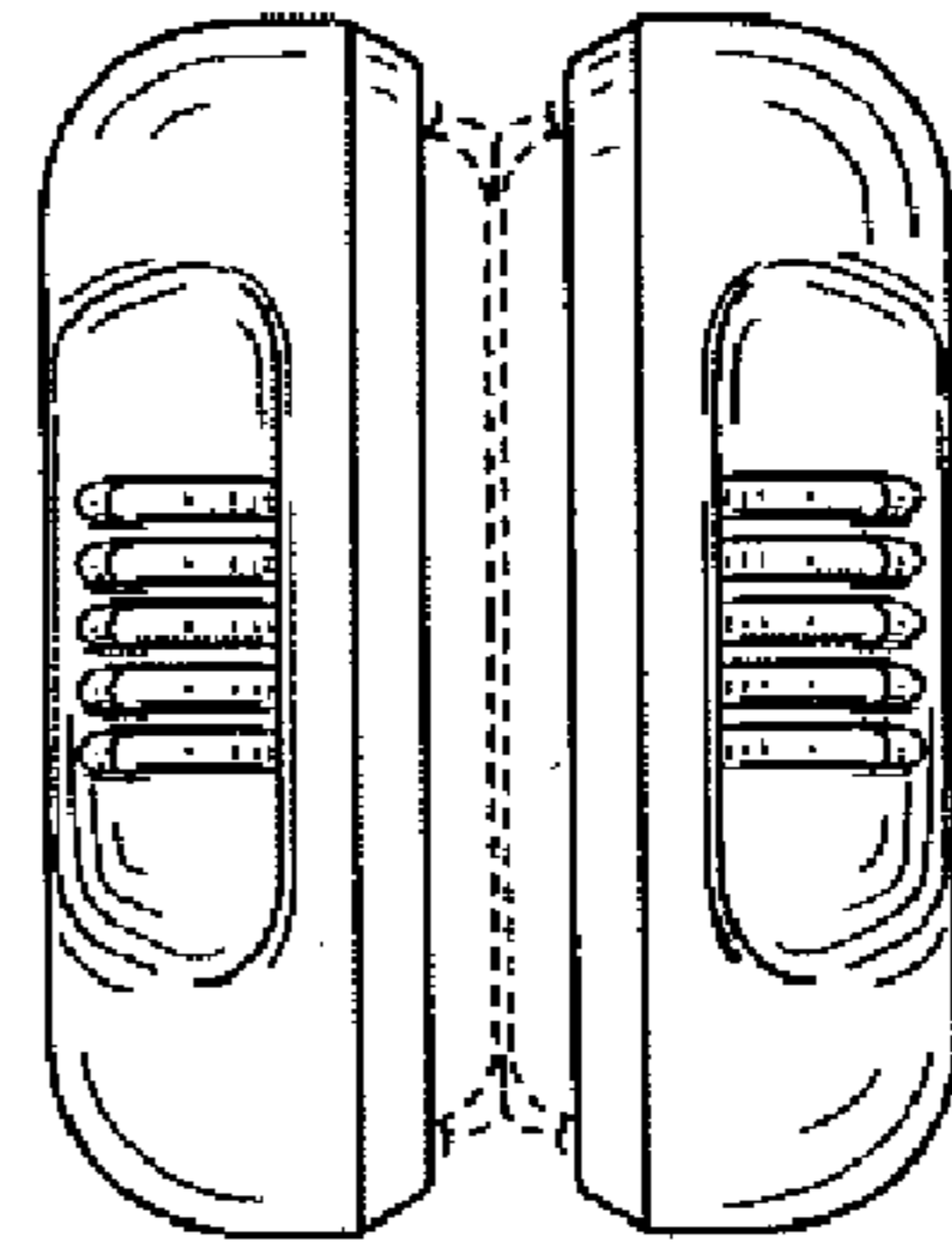


FIG. 5

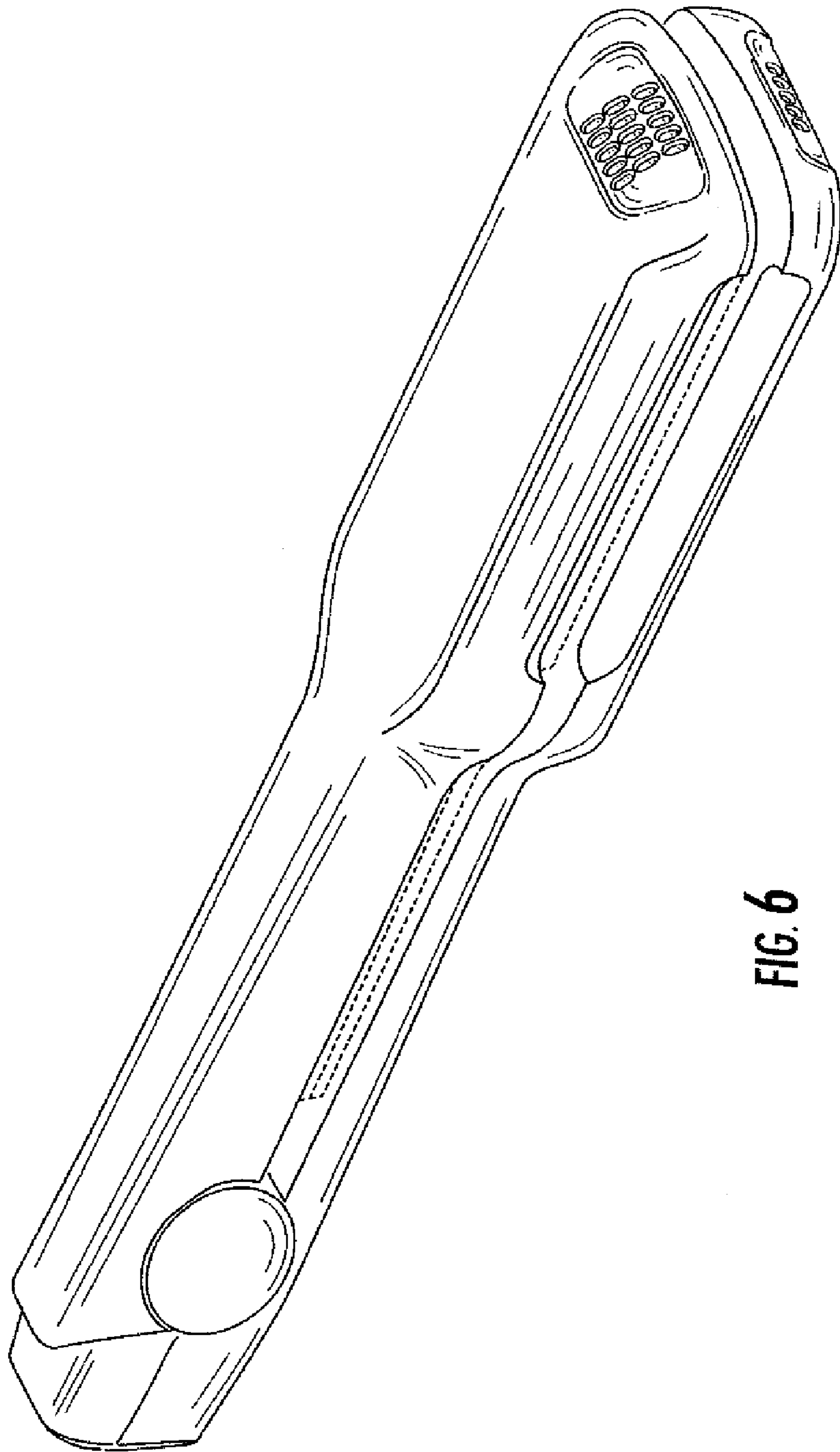


FIG. 6

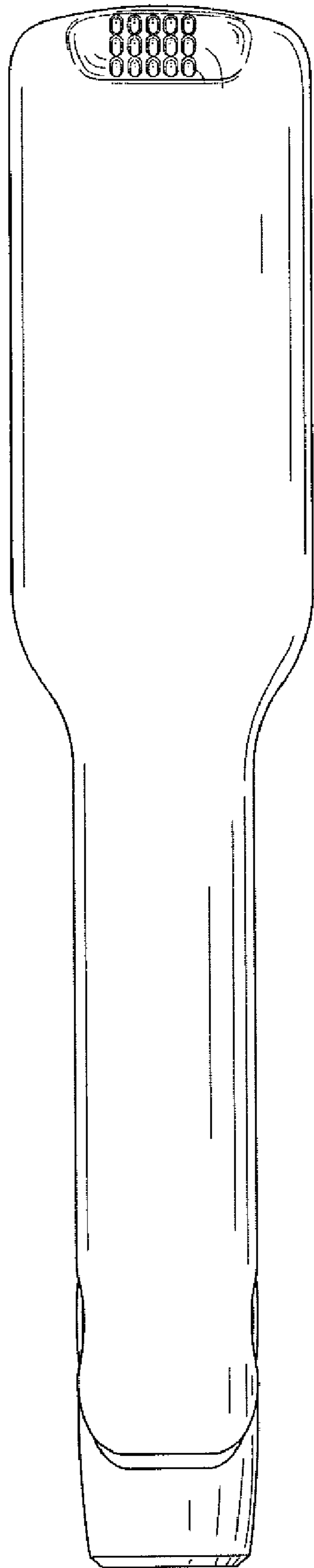


FIG. 7

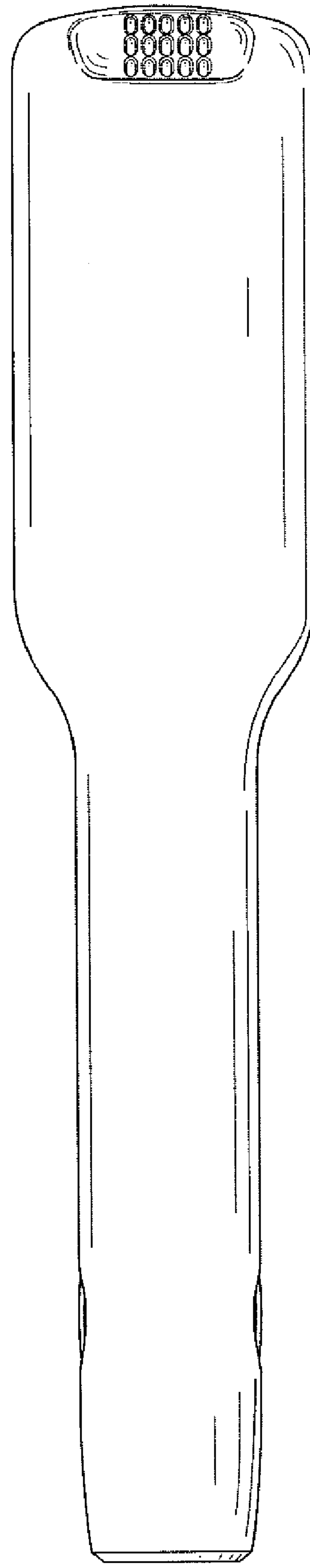


FIG. 8

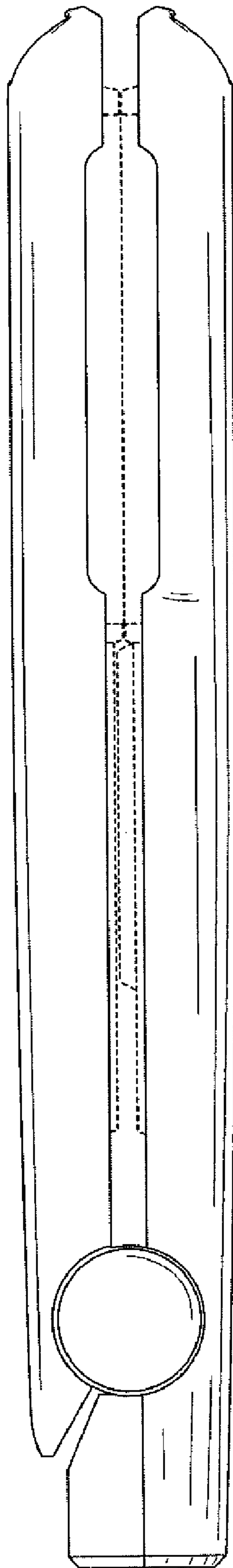


FIG. 9

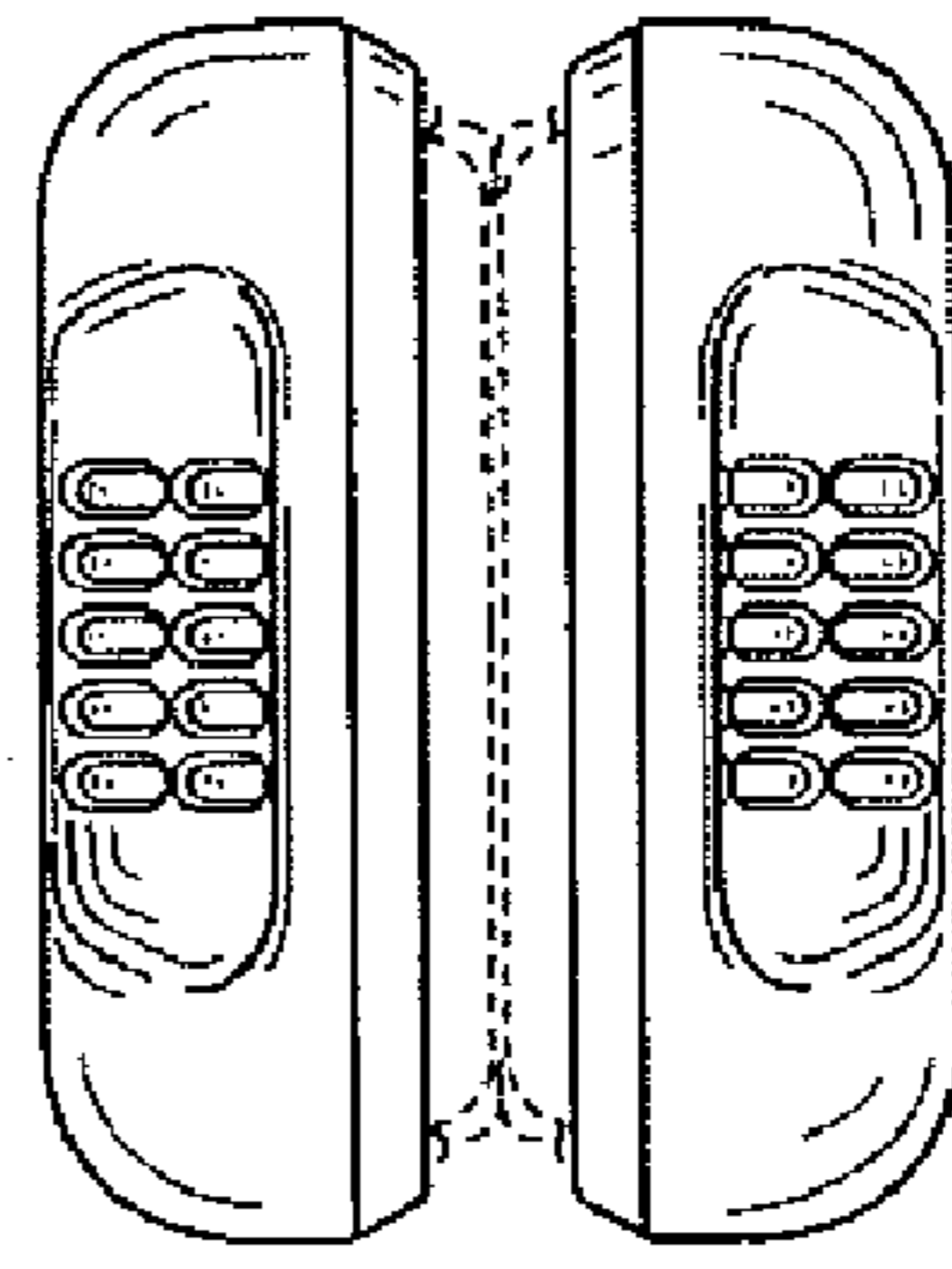


FIG. 10