



US00D581590S

(12) **United States Design Patent**  
**Leung**

(10) **Patent No.:** **US D581,590 S**

(45) **Date of Patent:** **\*\* Nov. 25, 2008**

(54) **HAIR DRYER**

(75) Inventor: **Anthony Kit Lun Leung**, North Point  
(CN)

(73) Assignee: **Conair Corporation**, Stamford, CT  
(US)

(\*\*) Term: **14 Years**

(21) Appl. No.: **29/285,139**

(22) Filed: **Mar. 22, 2007**

(51) **LOC (8) Cl.** ..... **28-03**

(52) **U.S. Cl.** ..... **D28/13**

(58) **Field of Classification Search** ..... D28/12-19;  
34/96-101; 392/380-385; 219/222  
See application file for complete search history.

(56) **References Cited**

U.S. PATENT DOCUMENTS

D432,716 S *	10/2000	Goetschi .....	D28/13
D438,340 S *	2/2001	Gudefin .....	D28/13
D455,858 S *	4/2002	Micinilio et al. ....	D28/13
D455,859 S *	4/2002	Lai .....	D28/13
D469,574 S *	1/2003	Lai .....	D28/13
D472,345 S *	3/2003	Altamore et al. ....	D28/13
D473,341 S *	4/2003	Bokelman-Dumas .....	D28/13
D474,858 S *	5/2003	Harris et al. ....	D28/13
D502,783 S *	3/2005	Yeung .....	D28/13

D544,645 S *	6/2007	Ceva .....	D28/13
D559,443 S *	1/2008	Smith et al. ....	D28/13
D561,392 S *	2/2008	Ceva .....	D28/13
2003/0041471 A1 *	3/2003	Shaw .....	34/96

\* cited by examiner

*Primary Examiner*—Janice E. Seeger

*Assistant Examiner*—Zenia I Bennett

(74) *Attorney, Agent, or Firm*—Lawrence Cruz

(57) **CLAIM**

The ornamental design for a hair dryer, as shown and described.

**DESCRIPTION**

FIG. 1 is a perspective view of a hair dryer showing my new design;

FIG. 2 is a right side view thereof;

FIG. 3 is a left side view thereof;

FIG. 4 is a front view thereof;

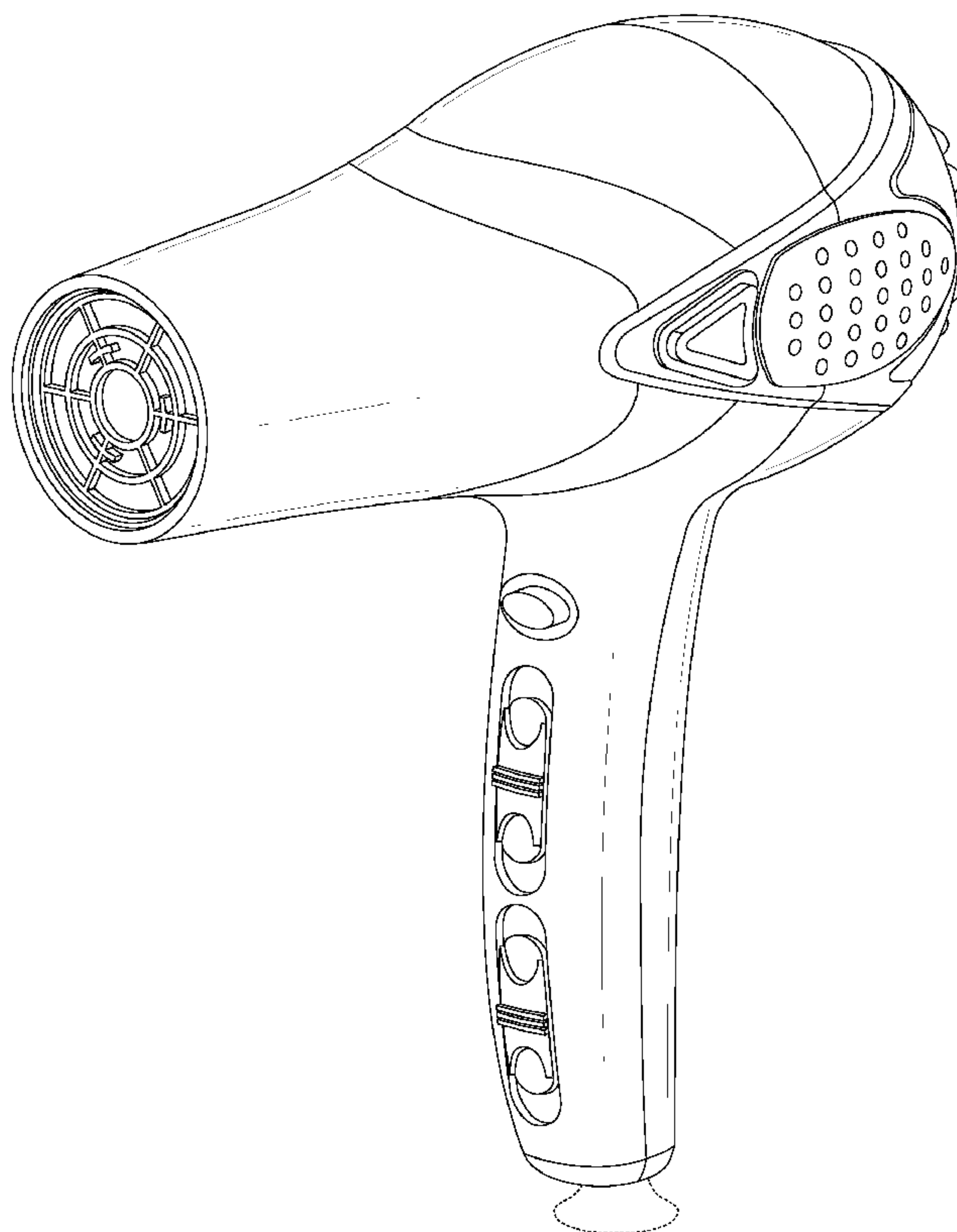
FIG. 5 is a top view thereof;

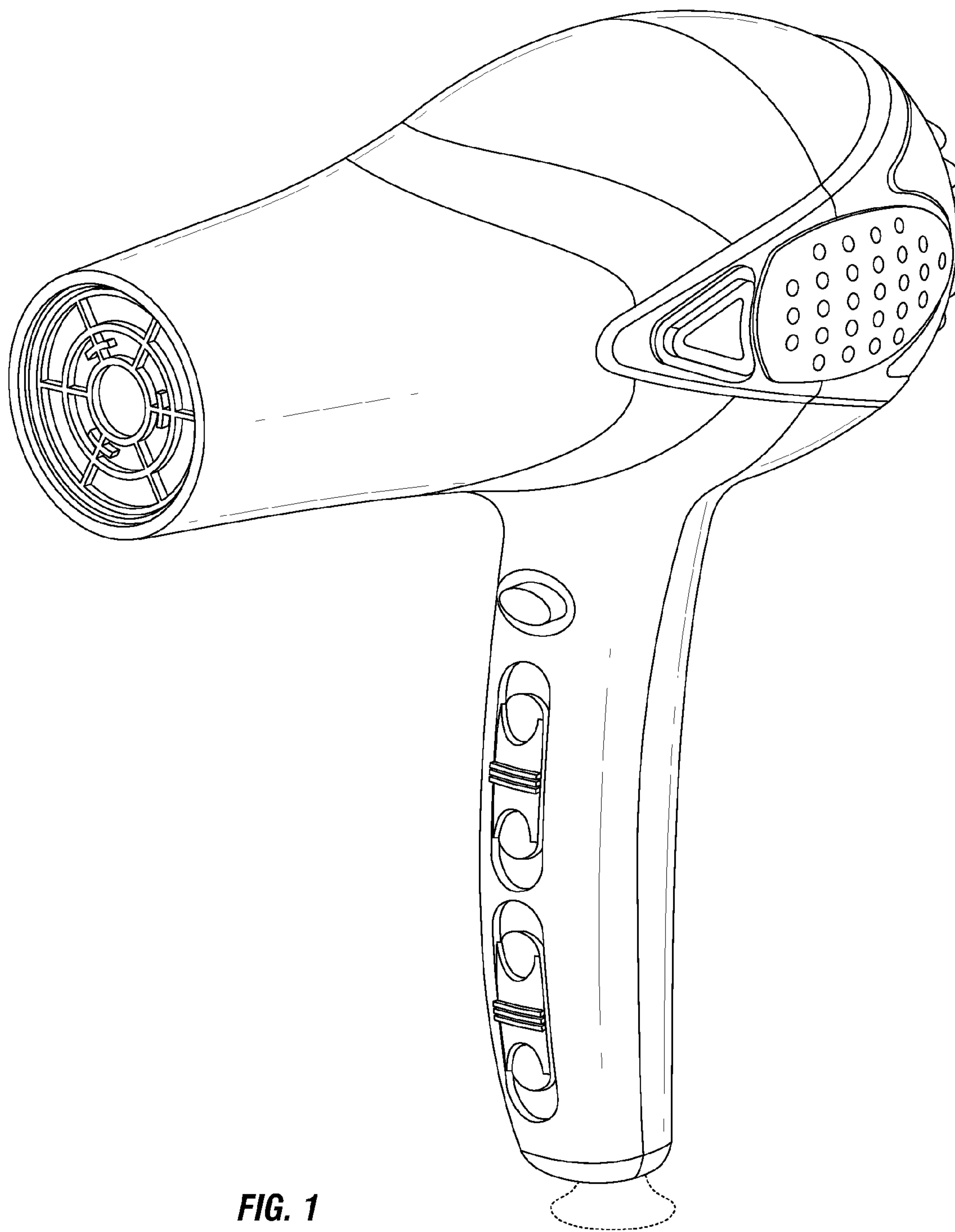
FIG. 6 is a rear view thereof; and,

FIG. 7 is a bottom view.

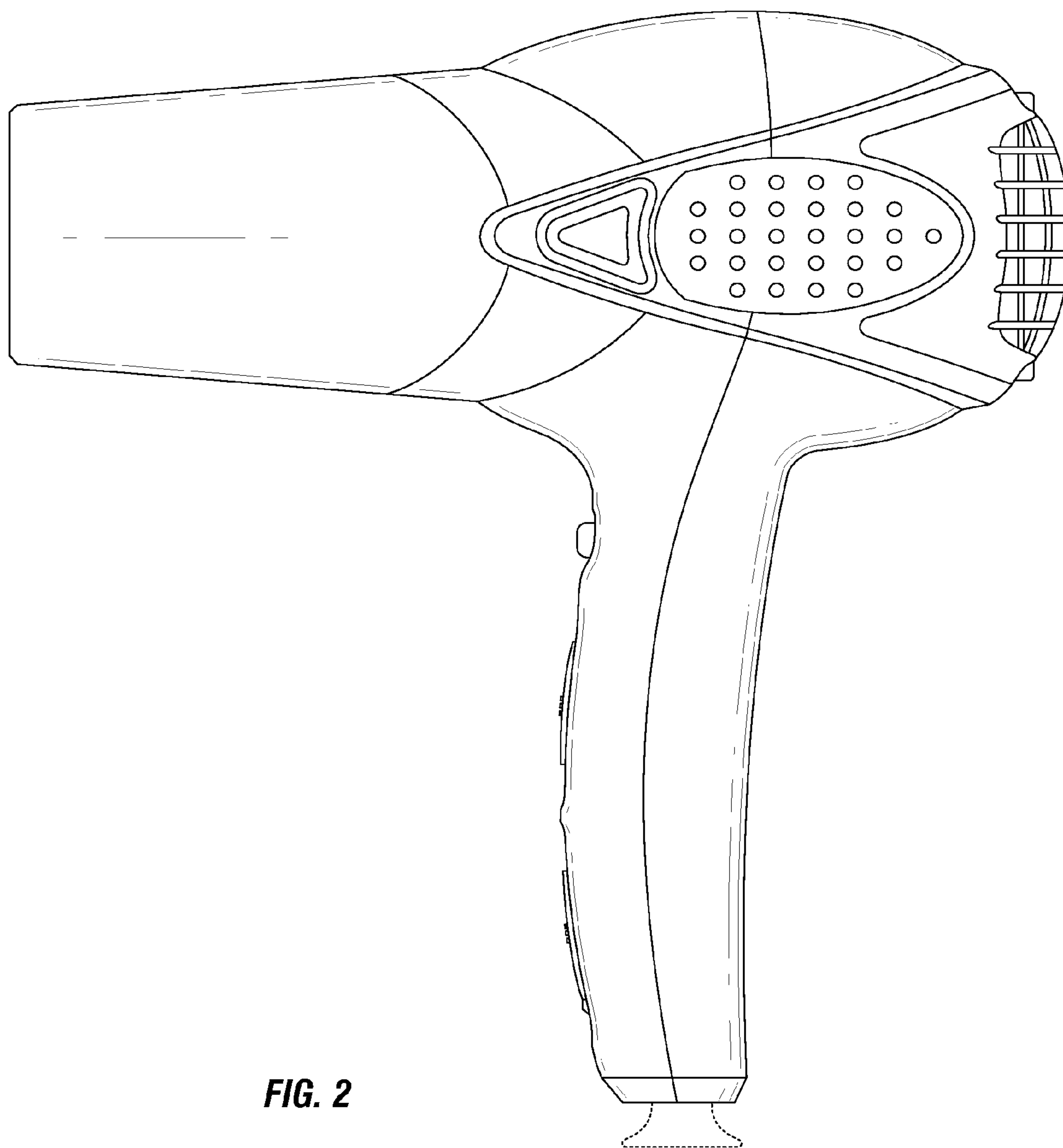
The broken lines are shown for illustrative purposes only and form no part of the claimed design.

**1 Claim, 7 Drawing Sheets**

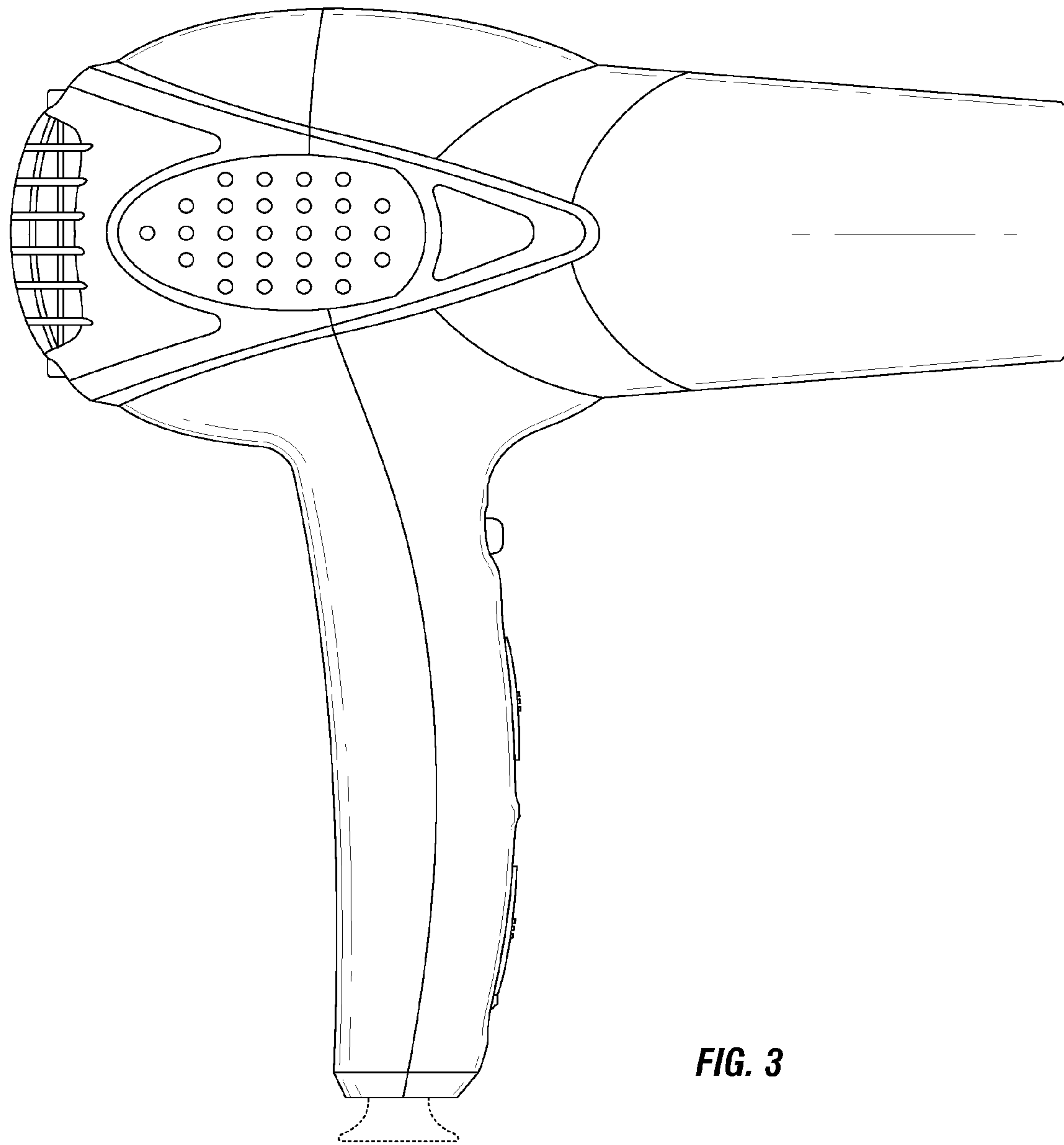




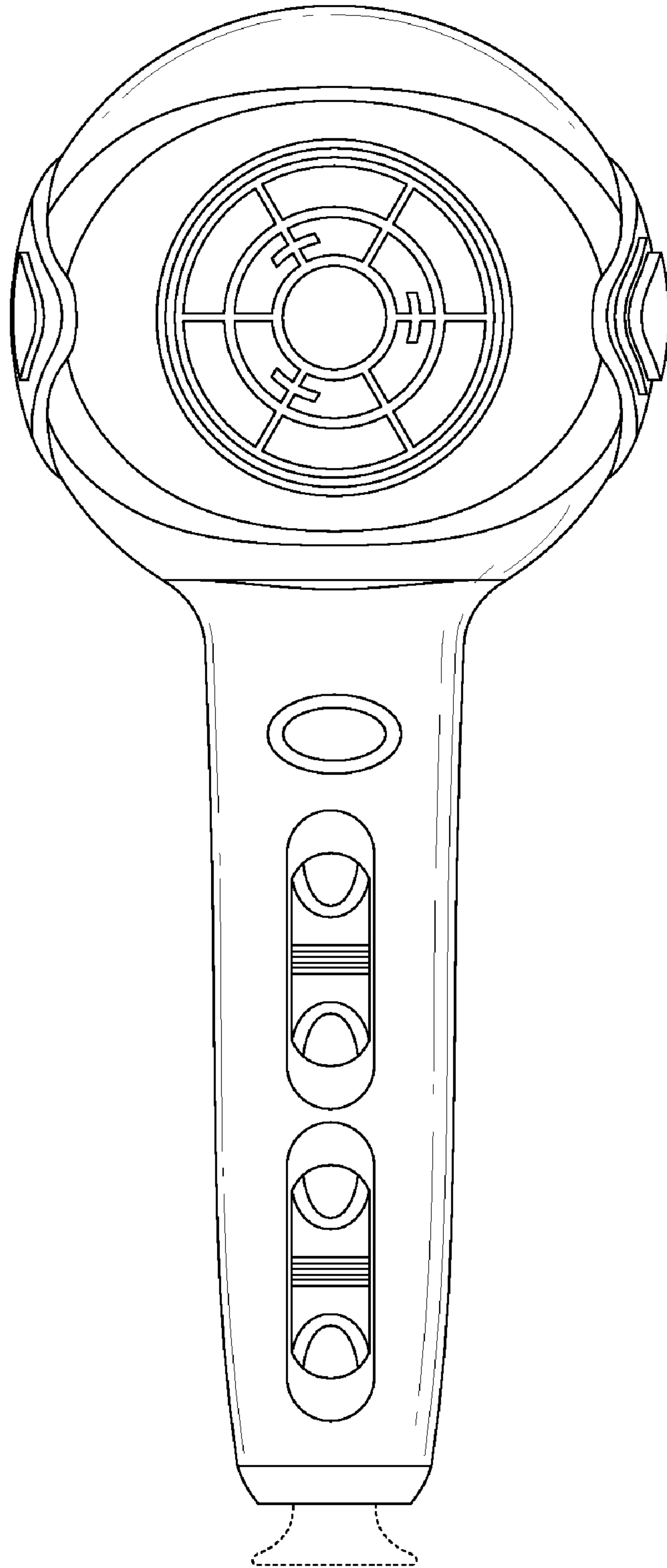
**FIG. 1**



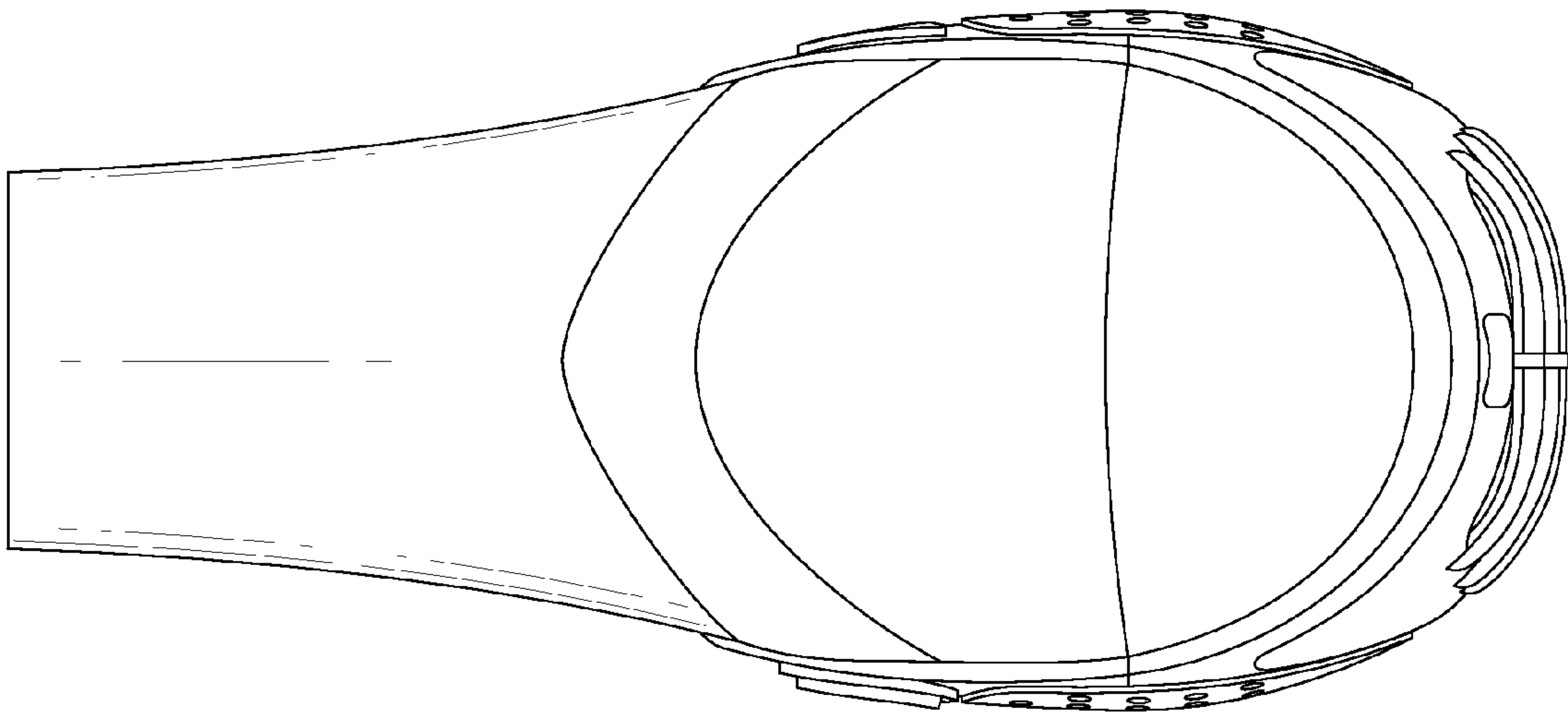
**FIG. 2**



**FIG. 3**

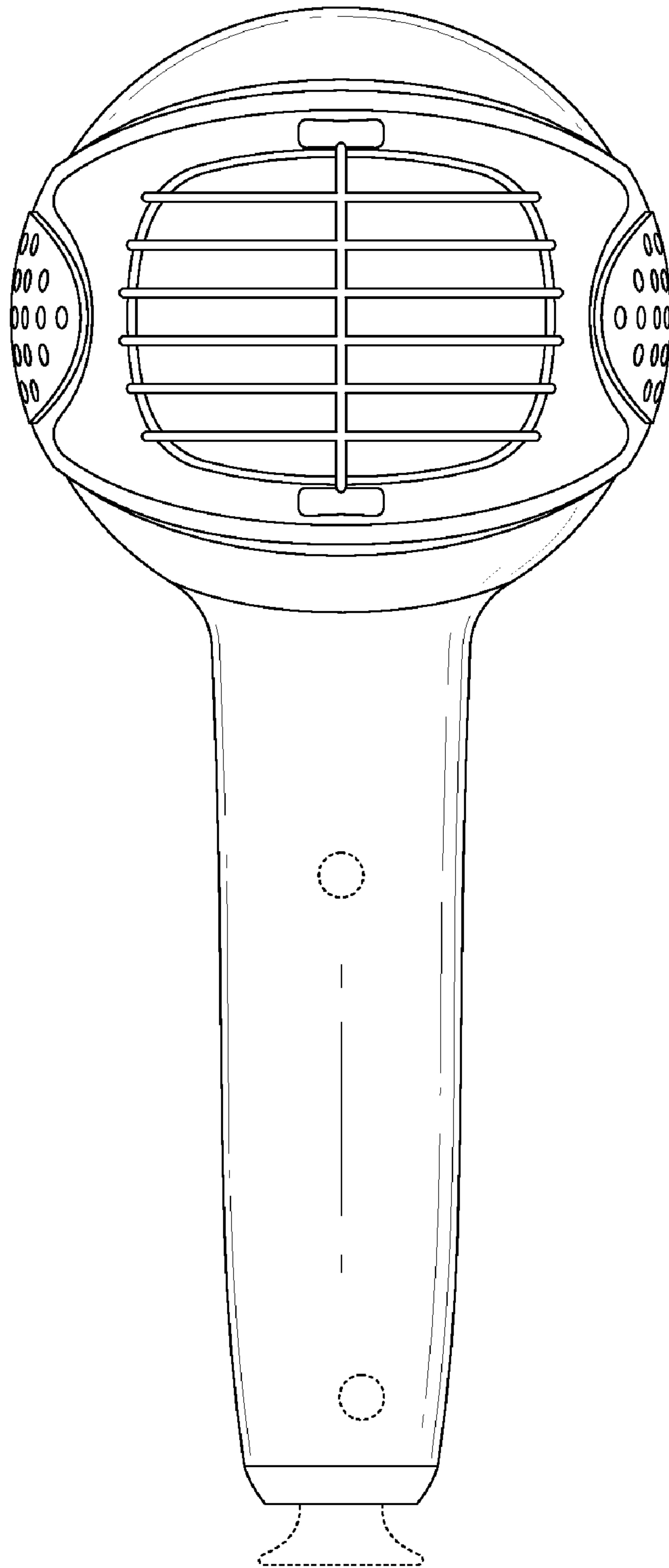


**FIG. 4**

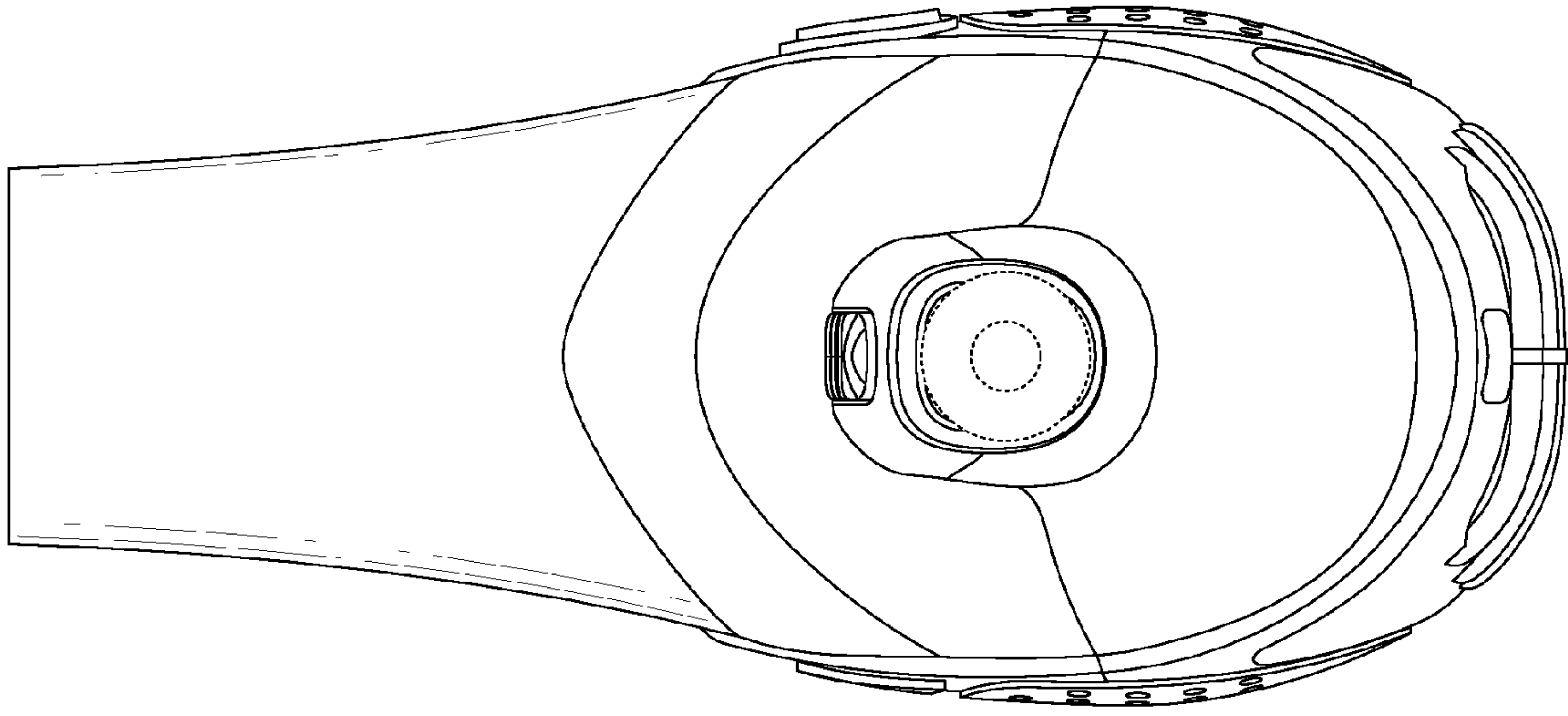


**FIG. 5**





**FIG. 6**



**FIG. 7**