



US00D581584S

(12) **United States Design Patent**
Boyer

(10) **Patent No.:** **US D581,584 S**

(45) **Date of Patent:** **** Nov. 25, 2008**

(54) **LIGHTING FIXTURE**

6,082,878 A * 7/2000 Doubek et al. 362/365
6,425,678 B1 7/2002 Verdes

(75) Inventor: **John D. Boyer**, Lebanon, OH (US)

(Continued)

(73) Assignee: **LSI Industries, Inc.**, Cincinnati, OH (US)

OTHER PUBLICATIONS

(**) Term: **14 Years**

Pursuant to Section 609 and 707.05(b) of the MPEP and 37 CFR 1.97-1.99, the undersigned is bringing the following copending U.S. Patent Application, of which he is aware to the attention of the Examiner in the above-identified application. U.S. Appl. No. 11/745,126, filed May 7, 2007; Title: LED Lamp Device and Method to Retrofit a Lighting Fixture; Assignee; LSI Industries, Inc.

(21) Appl. No.: **29/305,325**

Primary Examiner—Freda S. Nunn

(22) Filed: **Mar. 18, 2008**

Assistant Examiner—Kevin K Rudzinski

Related U.S. Application Data

(74) *Attorney, Agent, or Firm*—McDermott Will & Emery LLP

(62) Division of application No. 11/745,126, filed on May 7, 2007.

(57) **CLAIM**

(51) **LOC (8) Cl.** **26-99**

The ornamental design for a lighting fixture, as shown and described.

(52) **U.S. Cl.** **D26/138**

(58) **Field of Classification Search** D26/63,
D26/74, 2, 64, 3, 24, 59, 60, 61, 67, 72, 77,
D26/78, 104, 105, 110, 113, 118, 119, 120,
D26/121, 122, 123, 124, 128, 129, 130, 131,
D26/132, 133, 134, 137, 138, 140, 142, 135,
D26/136; D13/134; 313/113; 362/294,
362/147, 260, 269, 218, 231, 235, 264, 373,
362/547, 221, 219, 217, 220, 368; 439/241,
439/238, 232

See application file for complete search history.

DESCRIPTION

FIG. 1 is a perspective view of lighting fixture showing the present invention;

(56) **References Cited**

U.S. PATENT DOCUMENTS

2,483,876 A * 10/1949 Boyer 356/414
3,027,481 A * 3/1962 Baber et al. 313/110
3,808,081 A * 4/1974 Okuhara et al. 362/142
4,104,711 A * 8/1978 Carter 362/153
4,521,836 A * 6/1985 Puttemanns et al. 362/145
4,763,233 A * 8/1988 Poyer 362/477
D413,997 S * 9/1999 Jandrisits et al. D26/74

FIG. 2 is a front view of the design depicted in FIG. 1; the back view being the same;

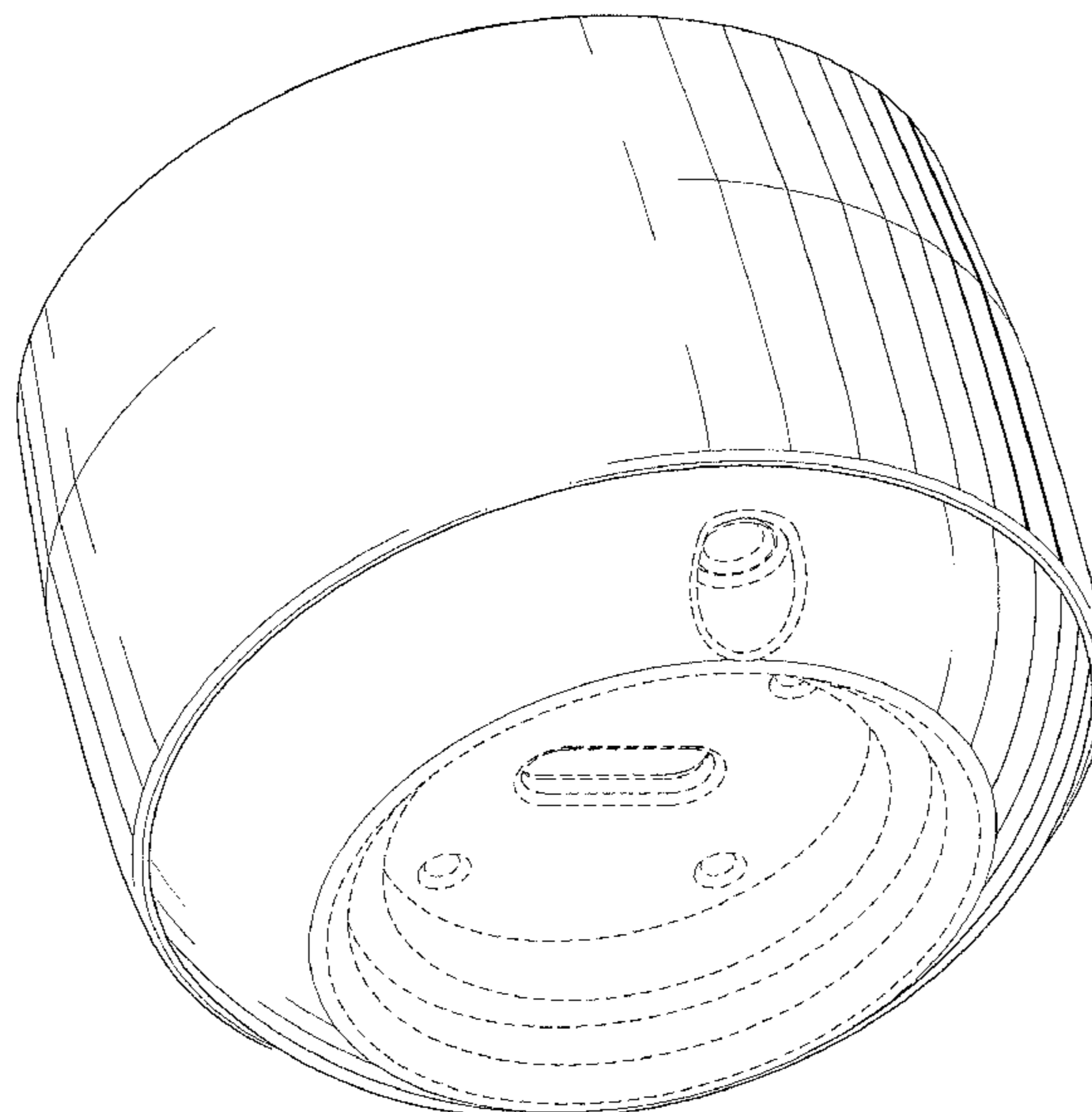
FIG. 3 is a right side view of the design depicted in FIG. 1; the left side is the mirror image of FIG. 3;

FIG. 4 is a top view of the design depicted in FIG. 1; and,

FIG. 5 is a bottom view of the design depicted in FIG. 1.

Those portions of the present design which are presented in phantom illustrate the environment of the design only and form no part of the claimed design. Moreover, the shading presented in the accompanying drawings is provided merely to highlight the contour of the design and is not intended to be illustrative of texture or gloss.

1 Claim, 5 Drawing Sheets



US D581,584 S

Page 2

U.S. PATENT DOCUMENTS

D465,046	S *	10/2002	Layne et al.	D26/63	7,111,963	B2 *	9/2006	Zhang	362/294
6,480,389	B1	11/2002	Shie		D541,957	S *	5/2007	Wang	D26/2
6,739,734	B1	5/2004	Hulgen		D558,378	S *	12/2007	Rashidi	D26/74
6,779,908	B1 *	8/2004	Ng	362/147	2005/0052864	A1 *	3/2005	Colip et al.	362/236
6,787,999	B2	9/2004	Stimac		2006/0012997	A1	1/2006	Catalano	
6,905,227	B2	6/2005	Wu		2006/0109640	A1 *	5/2006	Fong	362/16
6,982,517	B2	1/2006	Chou		2007/0008723	A1	1/2007	Hampton	

* cited by examiner

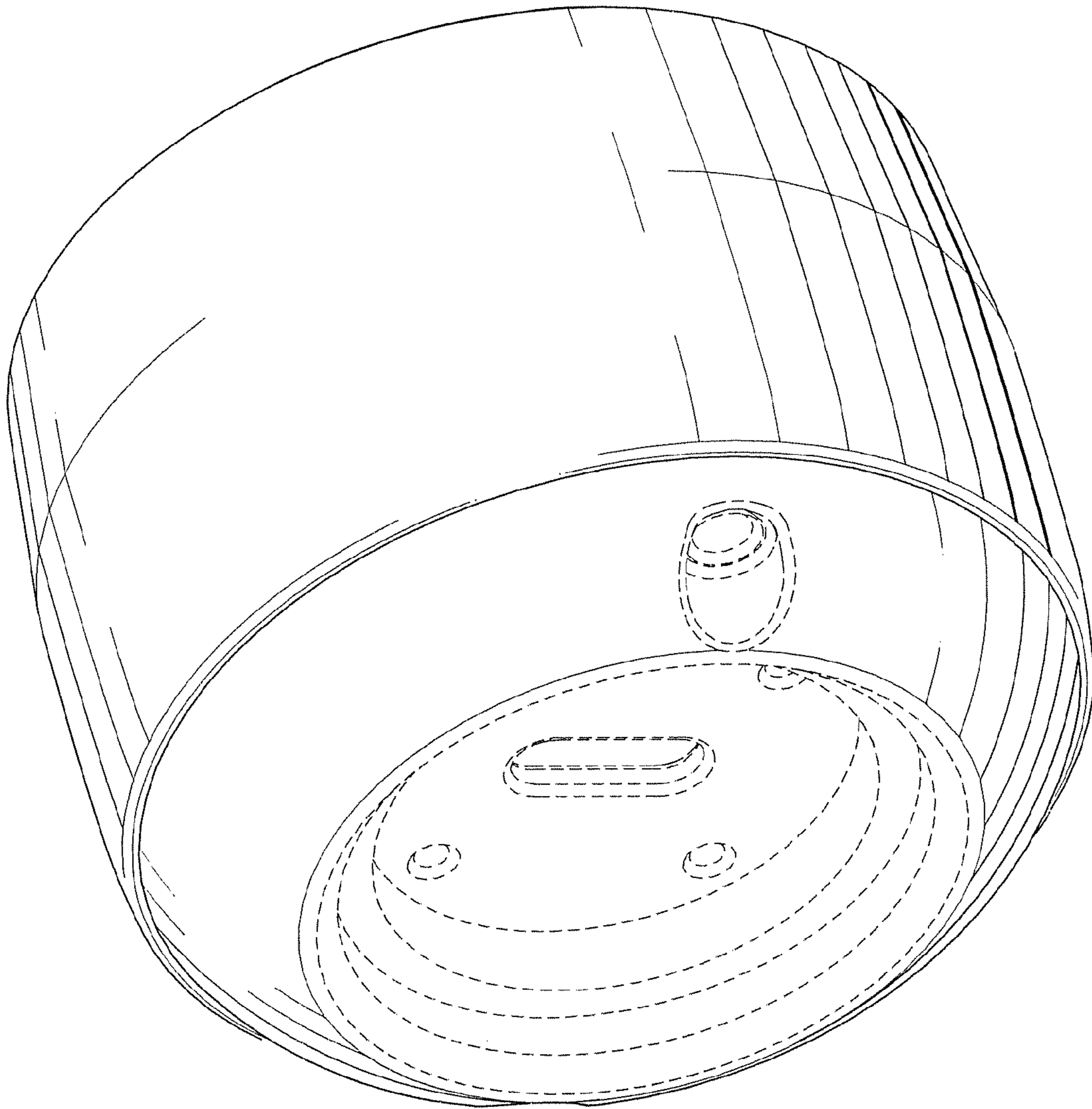


FIG. 1

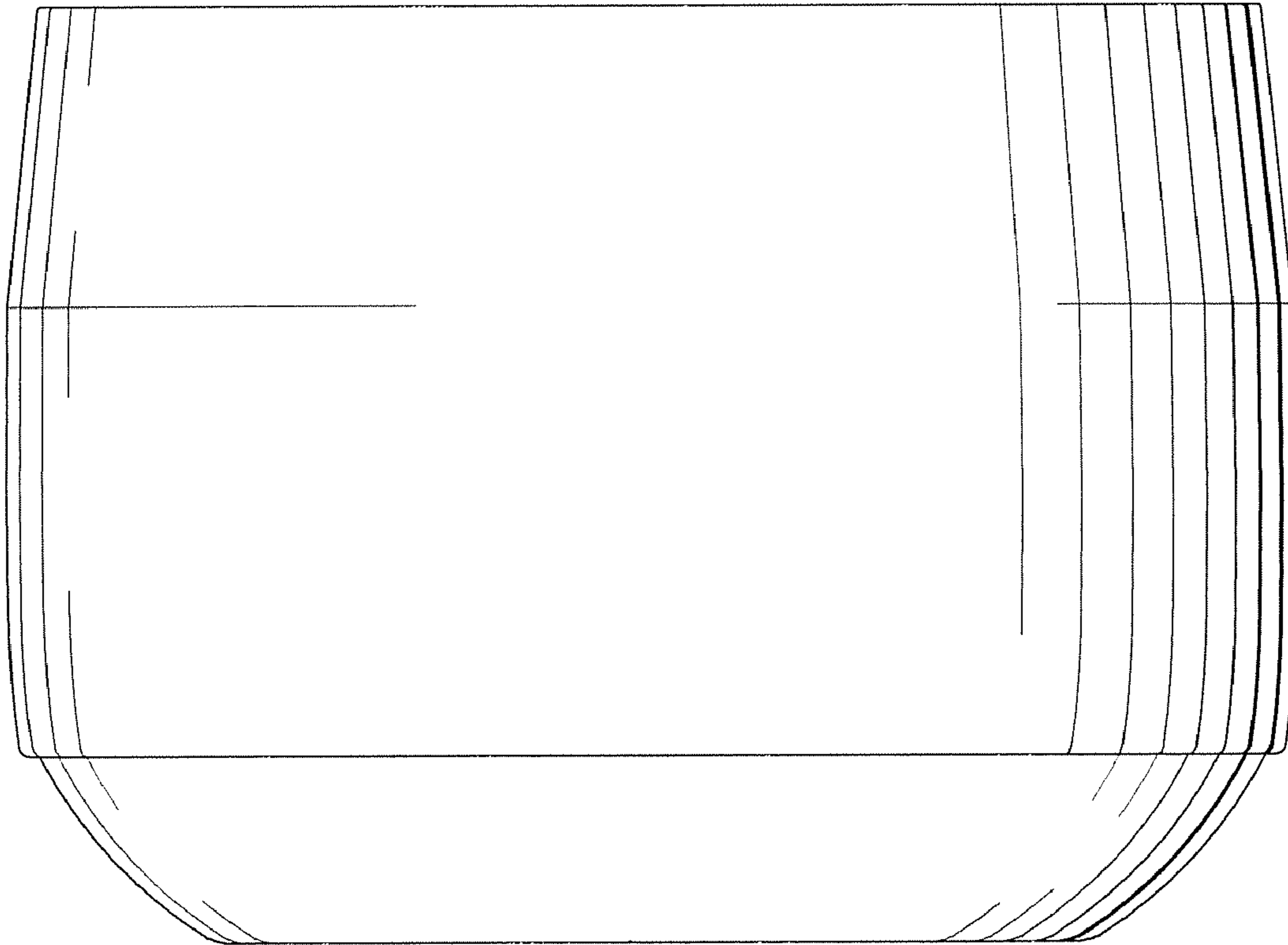


FIG. 2

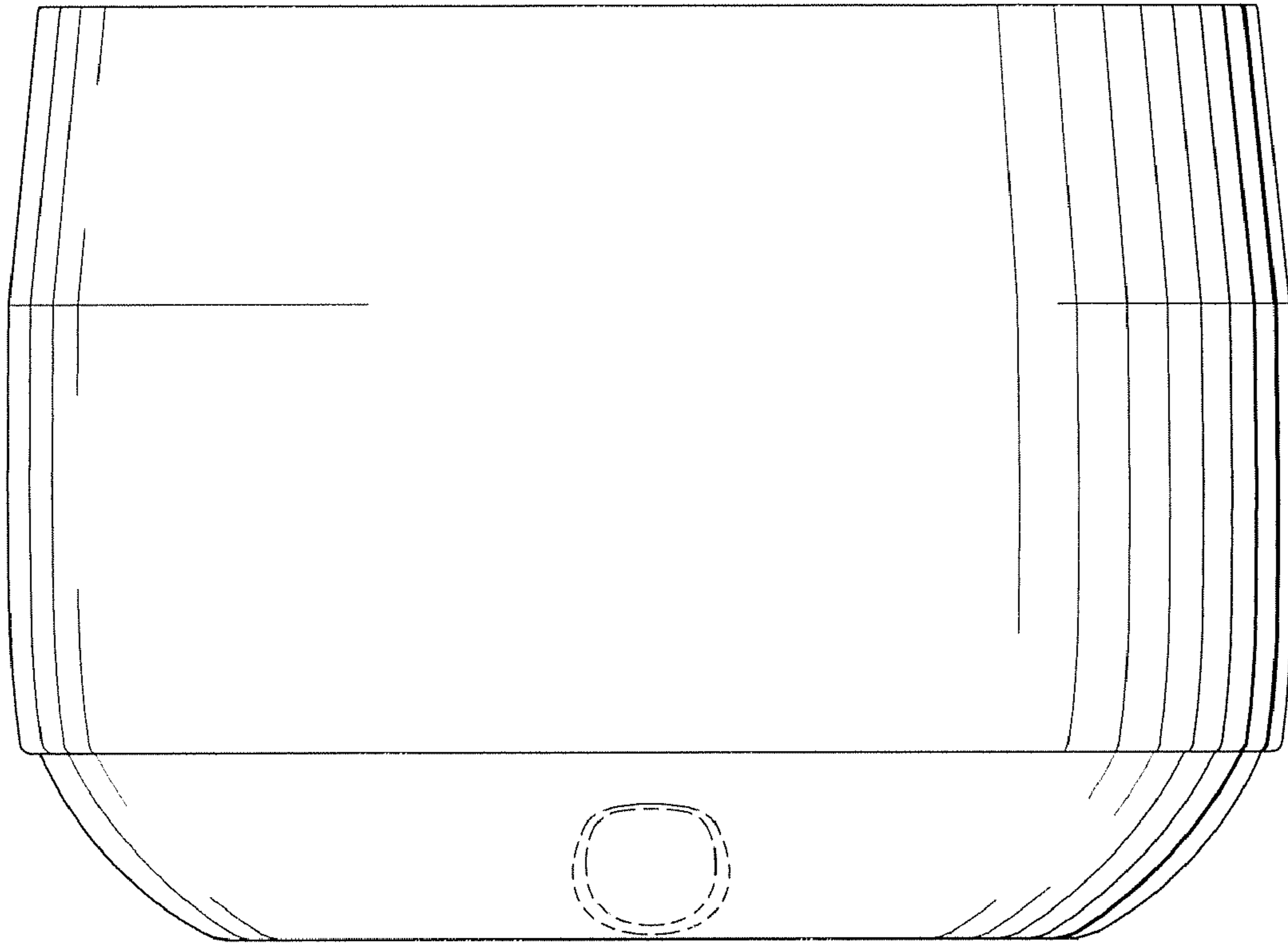


FIG. 3

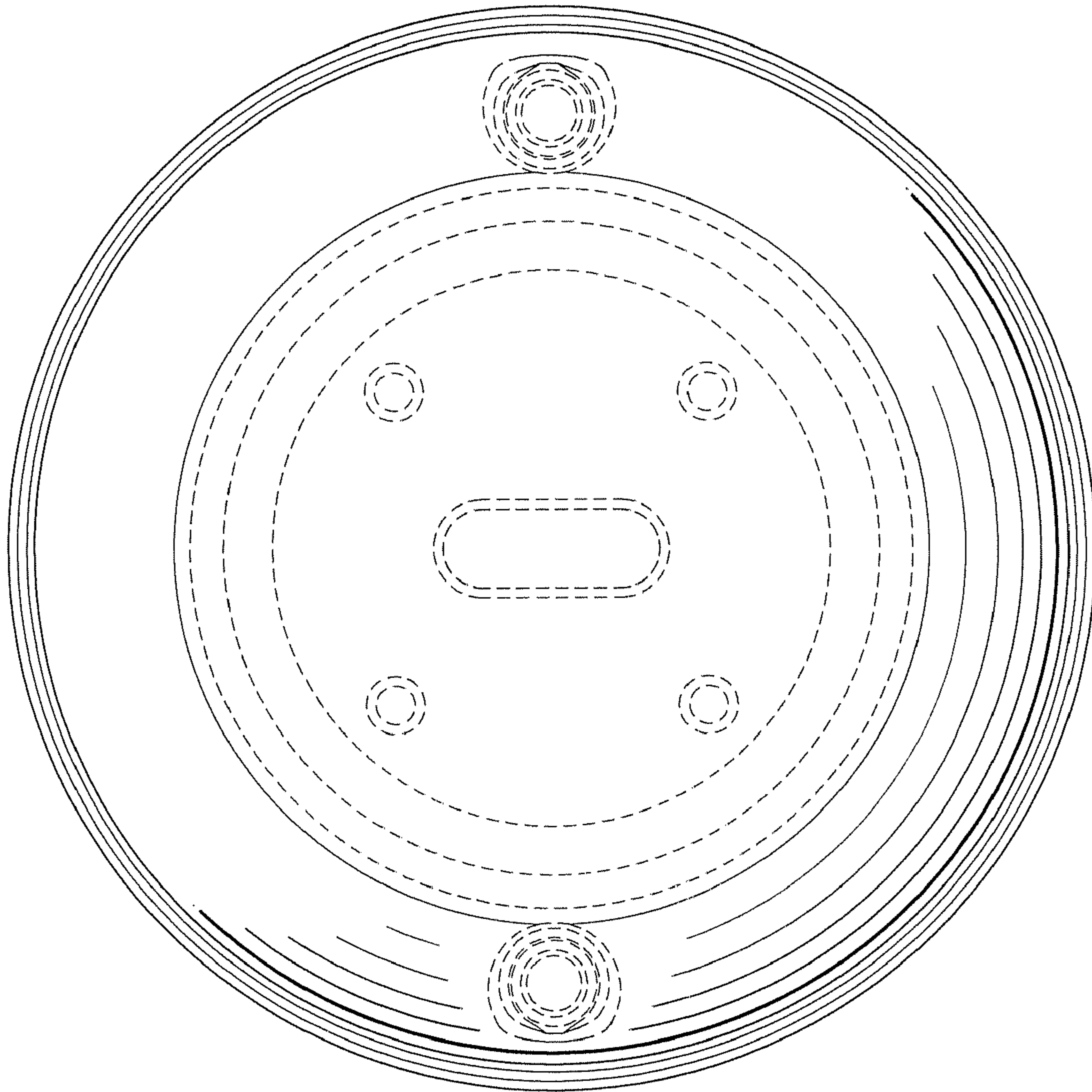


FIG. 4

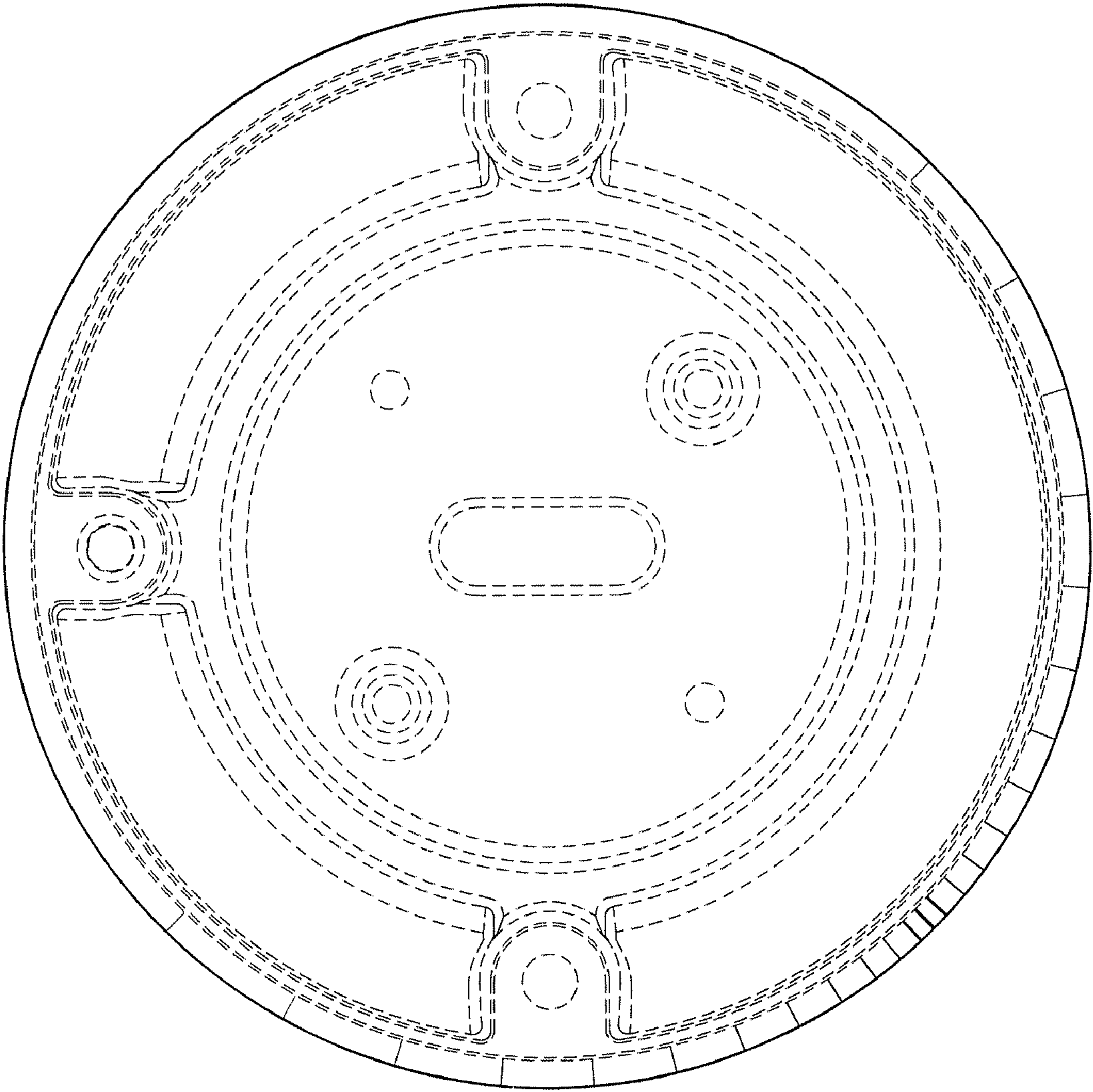


FIG. 5