



US00D581583S

(12) **United States Design Patent**
Peng

(10) **Patent No.:** **US D581,583 S**

(45) **Date of Patent:** **** Nov. 25, 2008**

(54) **LAMP SHADE**

(75) Inventor: **Chang-Hung Peng, Chung-Ho (TW)**

(73) Assignee: **Cooler Master Co., Ltd., Taipei (TW)**

(**) Term: **14 Years**

(21) Appl. No.: **29/299,987**

(22) Filed: **Jan. 8, 2008**

(30) **Foreign Application Priority Data**

Nov. 21, 2007 (TW) 96306342

(51) **LOC (8) Cl.** **26-99**

(52) **U.S. Cl.** **D26/135**

(58) **Field of Classification Search** D26/63,
D26/74, 2, 64, 3, 24, 59, 60, 61, 67, 72, 77,
D26/78, 104, 105, 110, 113, 118, 119, 120,
D26/121, 122, 123, 124, 128, 129, 130, 131,
D26/132, 133, 134, 137, 138, 140, 135, 136;
D13/134; 313/113; 362/294, 147, 260, 269,
362/218, 231, 235, 264, 373, 547, 221, 219,
362/217, 220, 368; 439/241, 238, 232

See application file for complete search history.

(56) **References Cited**

U.S. PATENT DOCUMENTS

D191,734 S * 11/1961 Daher et al. D28/19
3,538,321 A * 11/1970 Joseph et al. 362/289
3,639,751 A * 2/1972 Pichel 362/261
4,761,721 A * 8/1988 Willing 362/348
D340,514 S * 10/1993 Liao D23/377

D383,236 S * 9/1997 Krogman D26/63
D437,652 S * 2/2001 Uhler et al. D26/63
D516,229 S * 2/2006 Tang D26/2
D527,119 S * 8/2006 Maxik et al. D26/2
7,111,963 B2 * 9/2006 Zhang 362/294
D541,957 S * 5/2007 Wang D26/2
D544,110 S * 6/2007 Hooker et al. D26/2
D545,457 S * 6/2007 Chen D26/2
2005/0174780 A1 * 8/2005 Park 362/294
2007/0253202 A1 * 11/2007 Wu et al. 362/294
2007/0297177 A1 * 12/2007 Wang et al. 362/294

* cited by examiner

Primary Examiner—Freda S. Nunn

Assistant Examiner—Kevin K Rudzinski

(57) **CLAIM**

The ornamental design for a lamp shade, as shown and described.

DESCRIPTION

FIG. 1 is a top perspective view of a lamp shade showing my new design;

FIG. 2 is a left side view thereof, the right side being an identical image thereof;

FIG. 3 is a top view thereof;

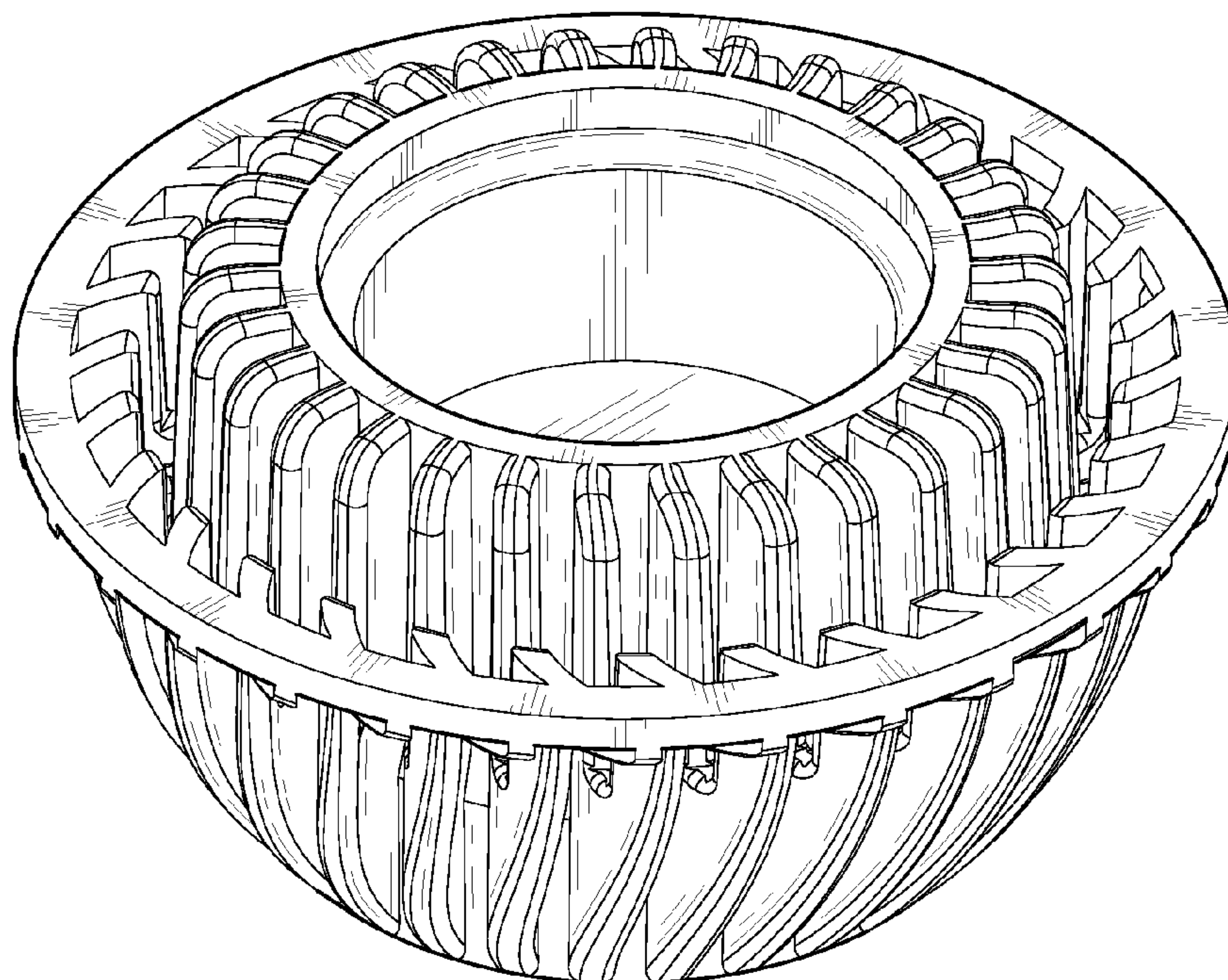
FIG. 4 is a bottom side view thereof;

FIG. 5 is a bottom perspective view thereof; and,

FIG. 6 is a perspective view showing the lamp shade in use.

The broken line environmental showing is for illustrative purpose only and forms no part of the claimed design.

1 Claim, 6 Drawing Sheets



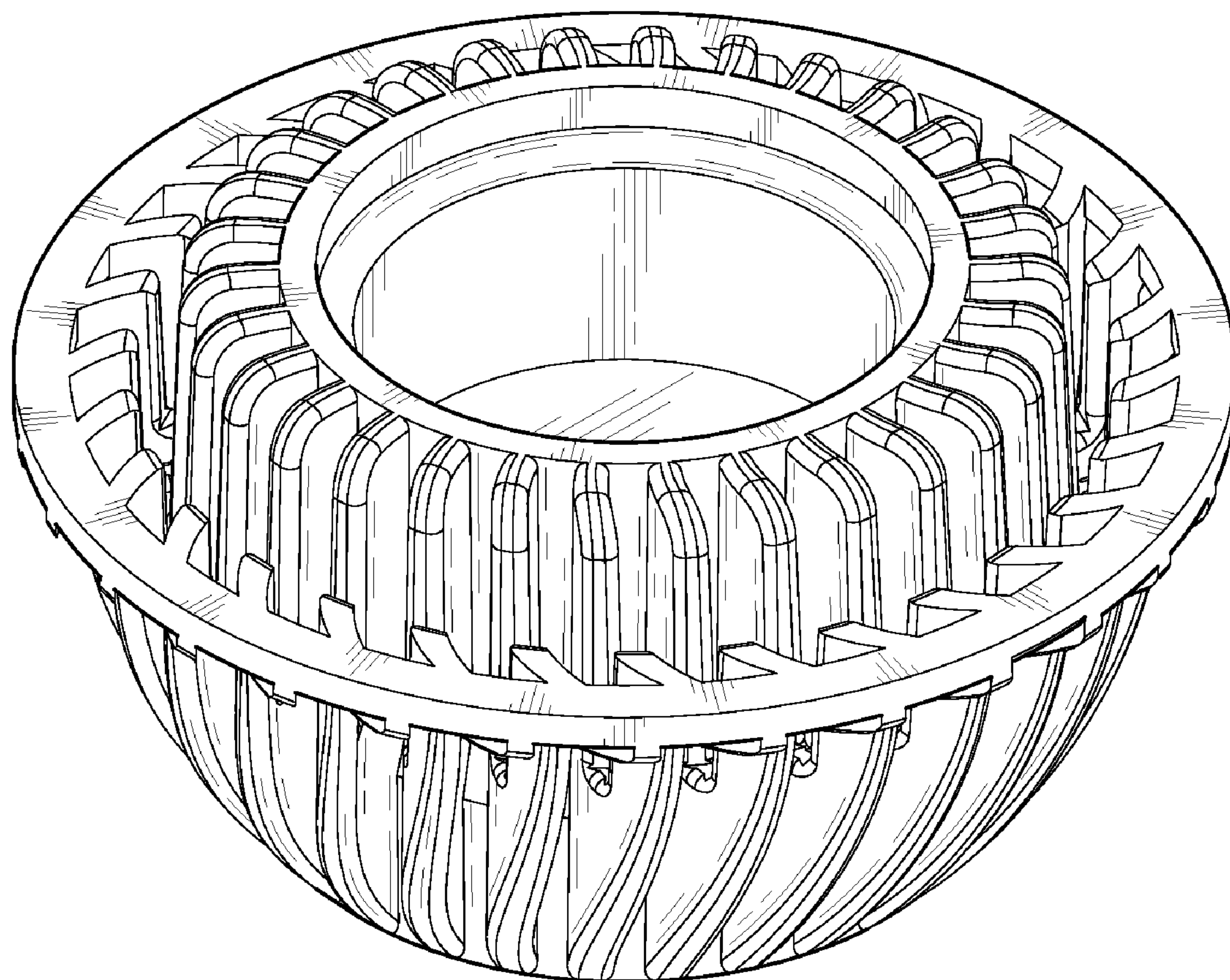


FIG.1

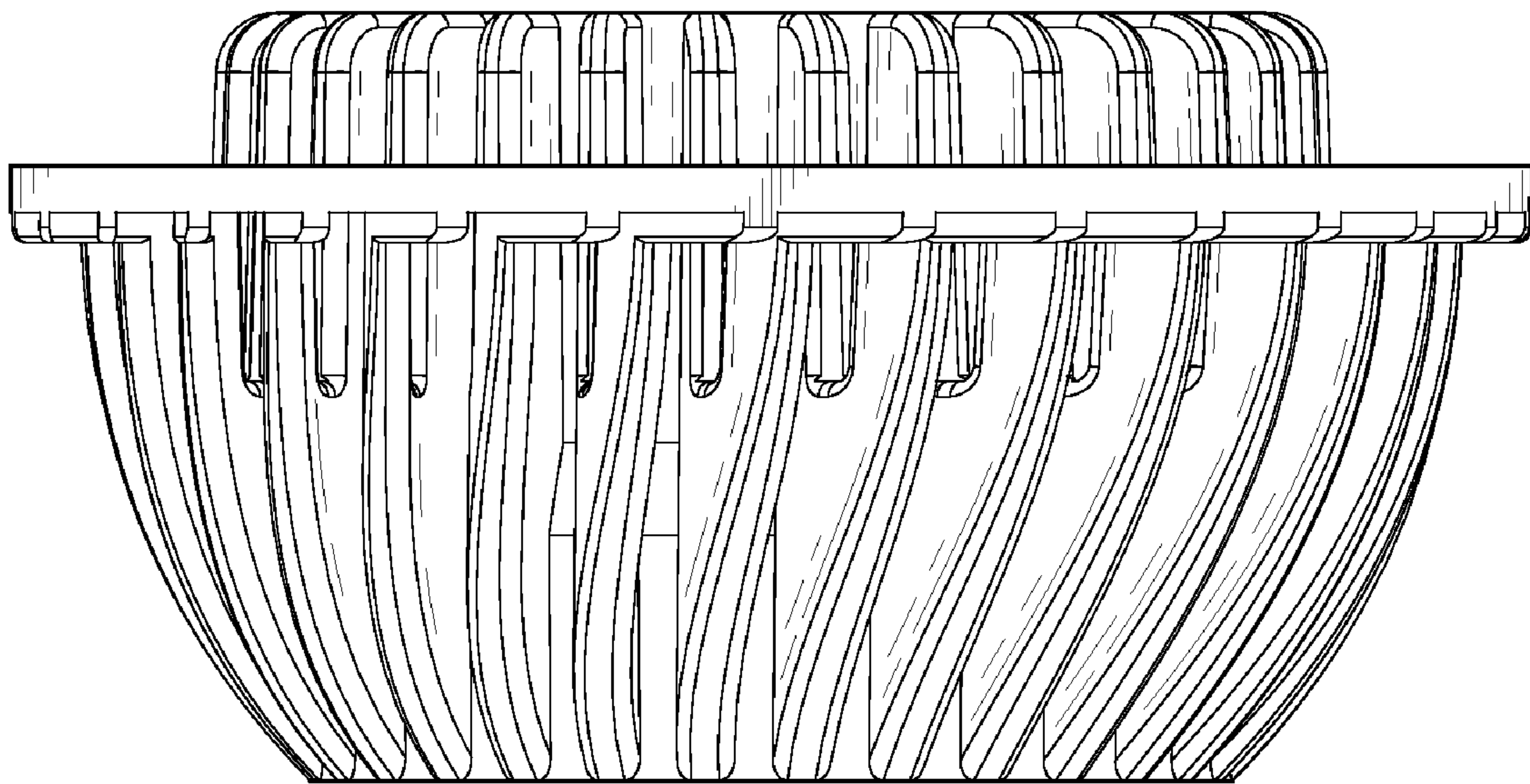


FIG.2

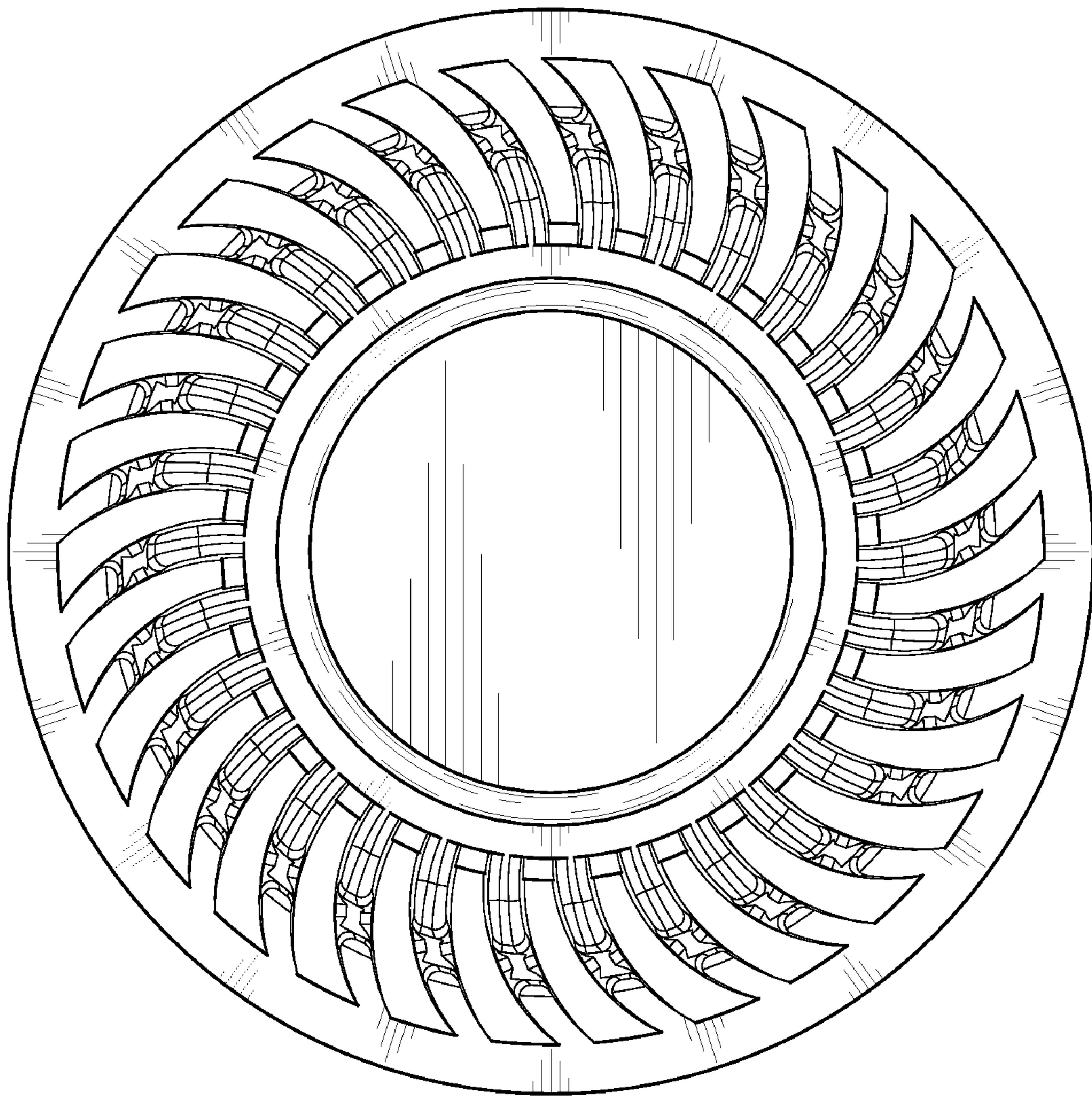


FIG.3

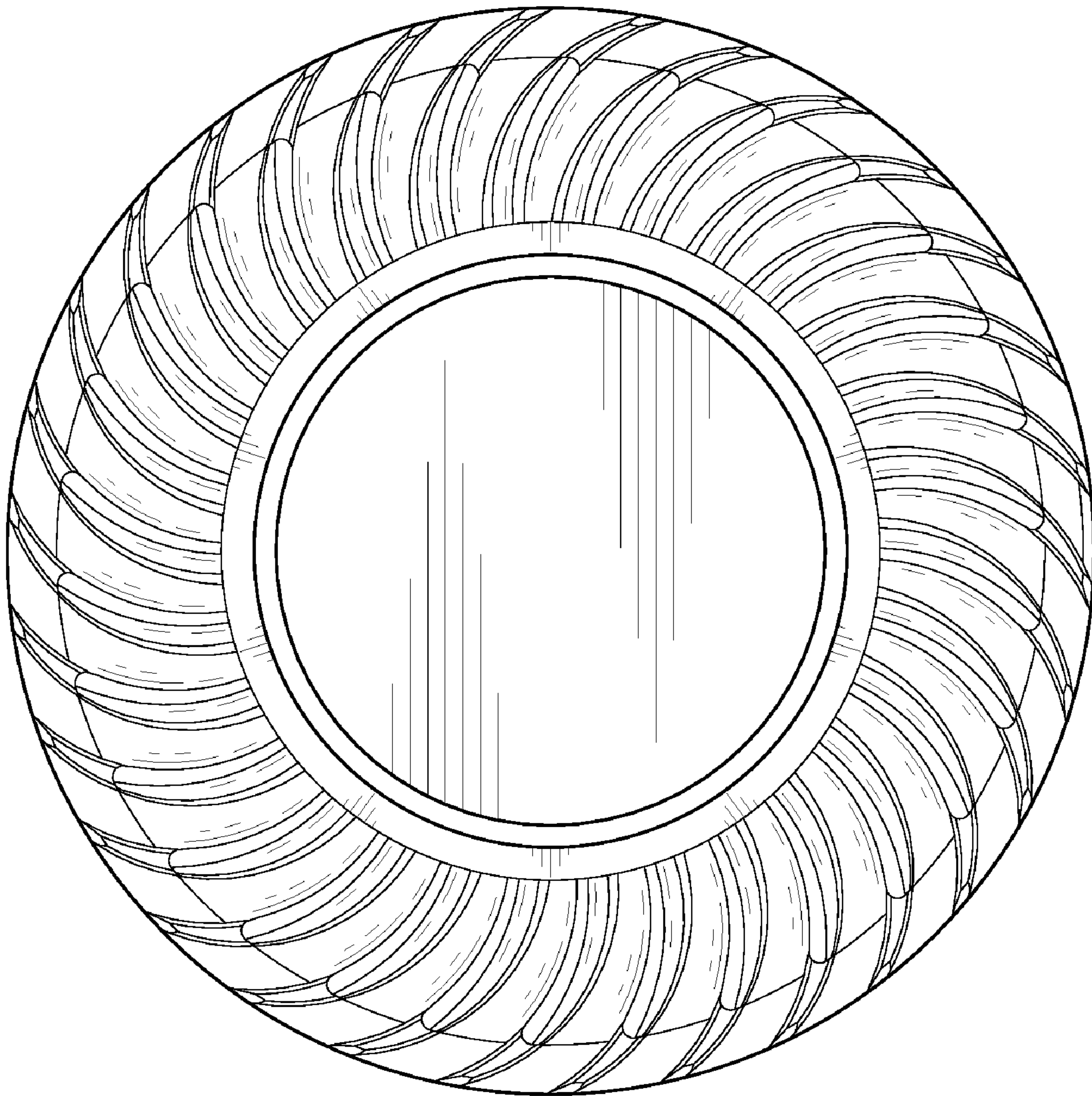


FIG.4

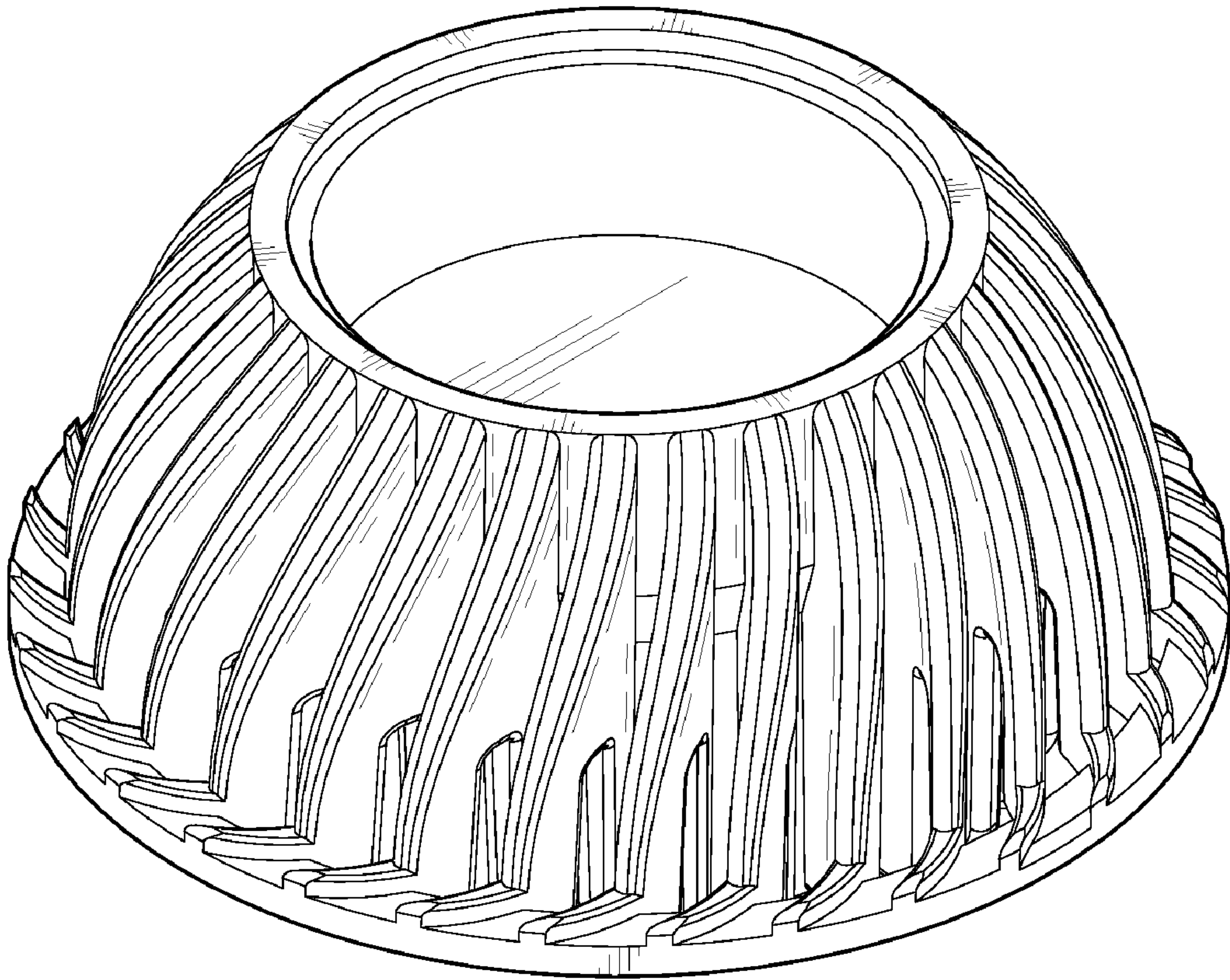


FIG.5

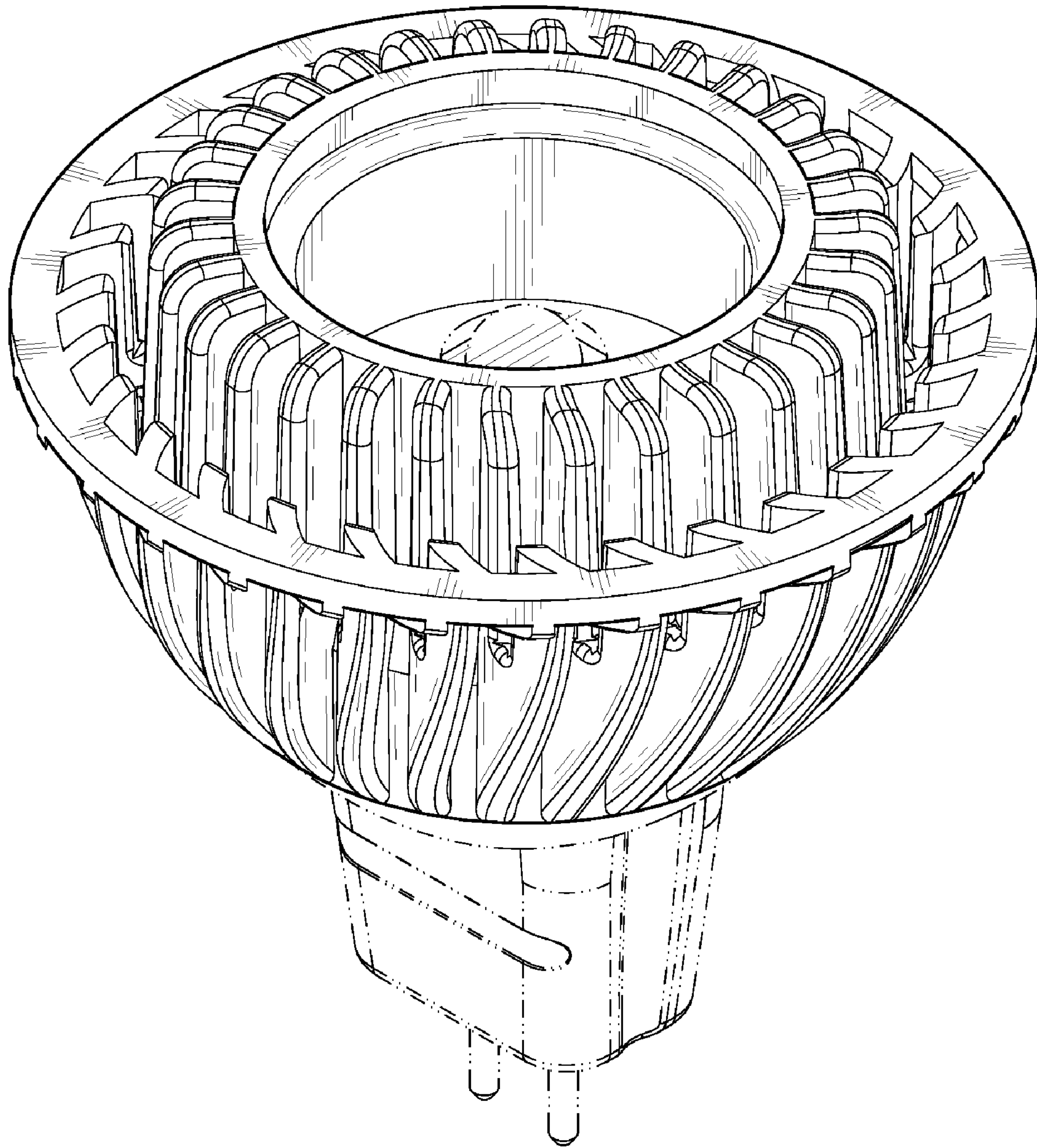


FIG.6