



US00D581582S

(12) **United States Design Patent**  
**Monk**

(10) **Patent No.:** **US D581,582 S**

(45) **Date of Patent:** **\*\* Nov. 25, 2008**

(54) **CANDLE LIGHTER/SNUFFER**

D454,232 S \* 3/2002 LaVanier ..... D29/127  
D454,233 S \* 3/2002 Cousins ..... D29/127  
D496,500 S \* 9/2004 Monique ..... D29/127

(75) Inventor: **Ellis E. Monk**, Altoona, IA (US)

(73) Assignee: **Artistic Manufacturing Corporation**,  
Altoona, IA (US)

\* cited by examiner

*Primary Examiner*—Holly H Baynham  
*Assistant Examiner*—Cynthia M Chin

(\*\*) Term: **14 Years**

(21) Appl. No.: **29/280,634**

(57) **CLAIM**

(22) Filed: **Jun. 4, 2007**

I claim the ornamental design for a candle lighter/snuffer, as shown and described.

(51) **LOC (8) Cl.** ..... **26-99**

(52) **U.S. Cl.** ..... **D26/127**

(58) **Field of Classification Search** ..... D29/127;  
D26/23; D17/22; D10/116; 116/148, 150,  
116/170, 171; 431/144, 146–152  
See application file for complete search history.

**DESCRIPTION**

FIG. 1 is a perspective view of a candle lighter/snuffer showing my new design;

FIG. 2 is a perspective view thereof;

FIG. 3 is a side elevation view thereof;

FIG. 4 is a top plan view thereof;

FIG. 5 is a bottom plan view thereof; and,

FIG. 6 is a sectional view of the candle light/snuffer thereof taken along line 6—6 from FIG. 3.

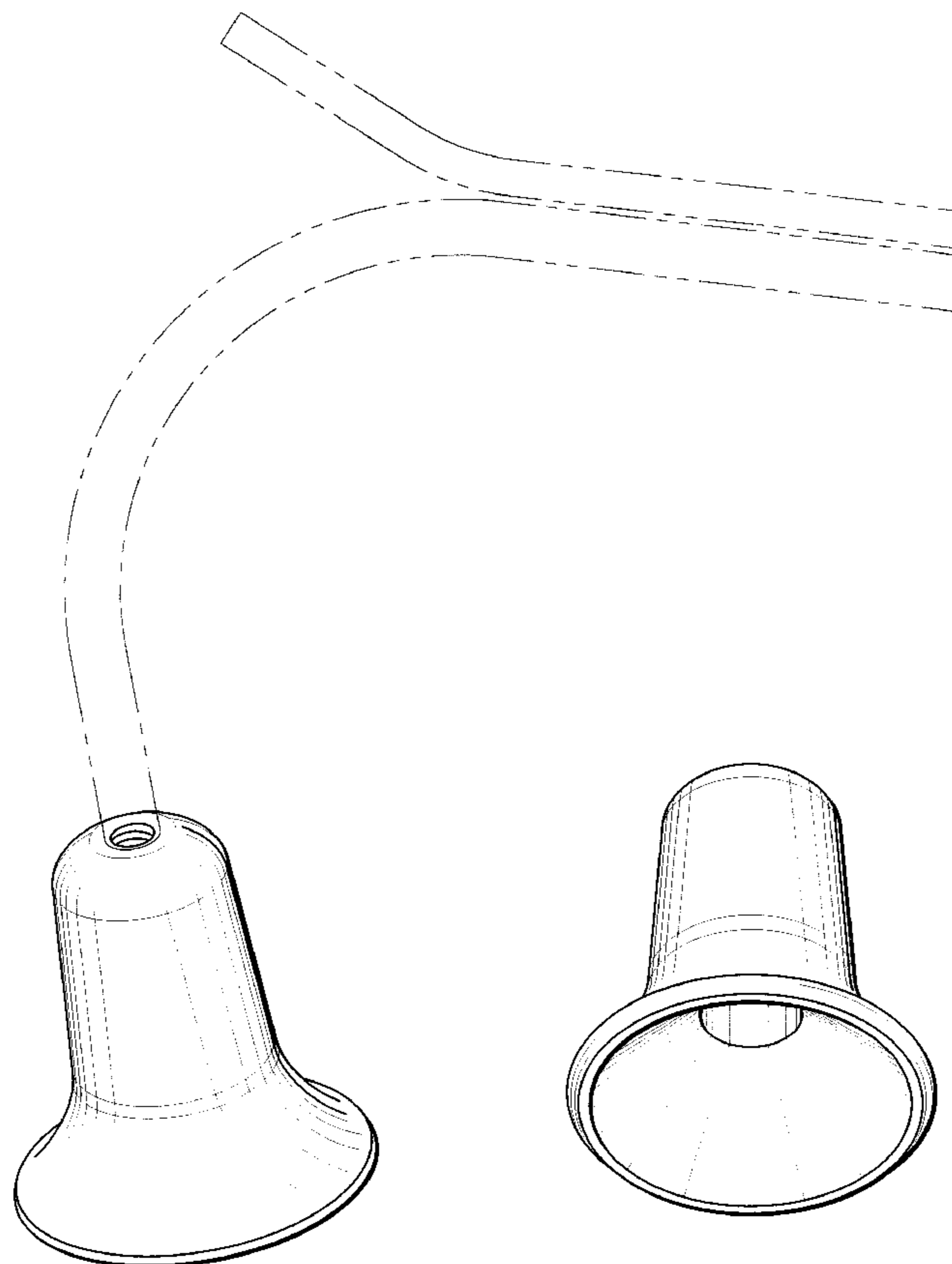
The broken lines shown in FIG. 1 represent portions of the design that form no part of the claim.

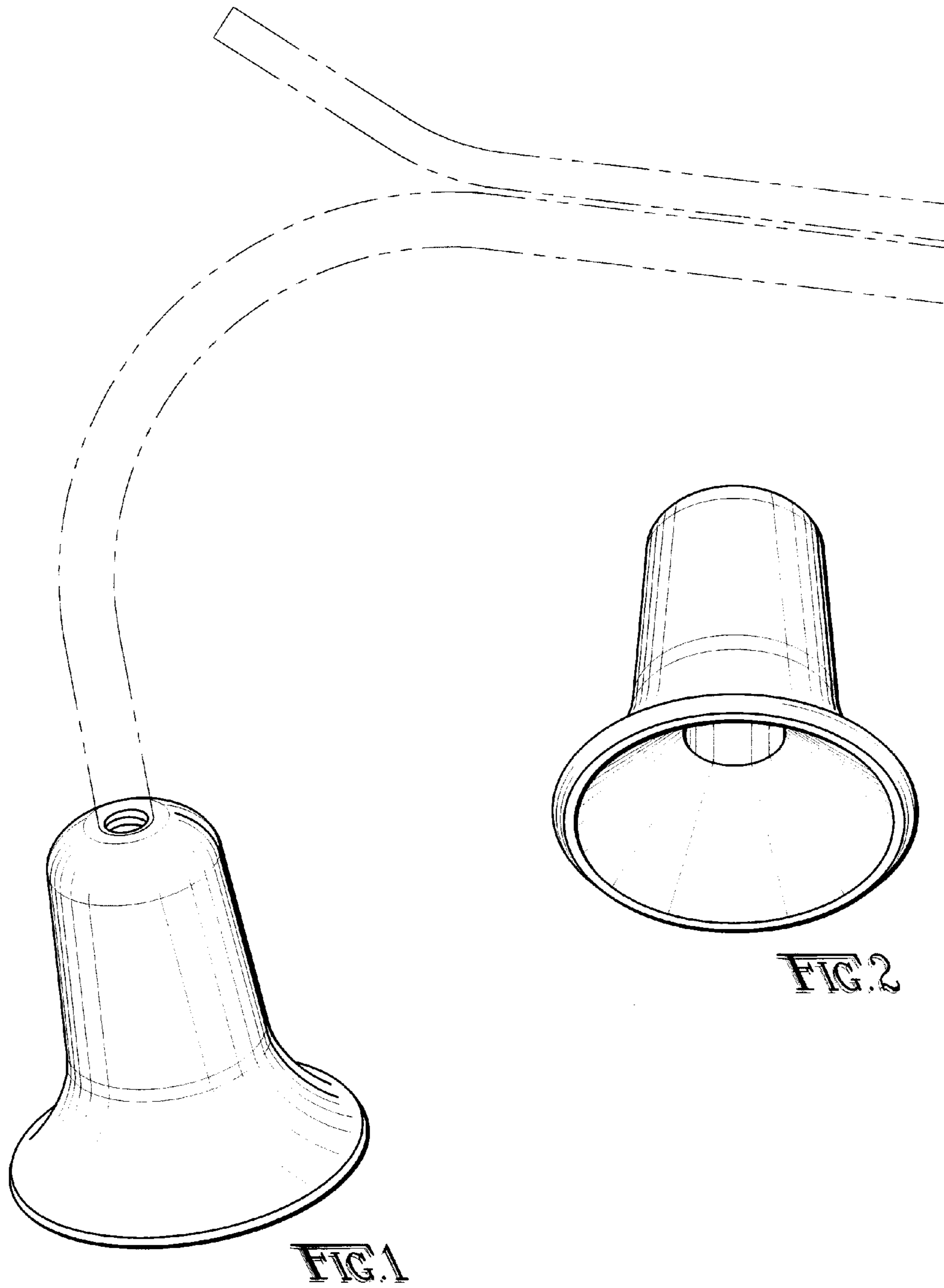
(56) **References Cited**

**U.S. PATENT DOCUMENTS**

1,936,691	A *	11/1933	Soss	.....	431/144
1,941,072	A *	12/1933	Benziger	.....	431/145
2,785,556	A *	3/1957	Smith	.....	431/145
3,985,492	A *	10/1976	Nunemaker	.....	431/144
D330,784	S *	11/1992	Zuffoletti	.....	D29/127
D335,830	S *	5/1993	Ross et al.	.....	D10/116
5,944,505	A *	8/1999	Kroeher	.....	431/149

**1 Claim, 3 Drawing Sheets**





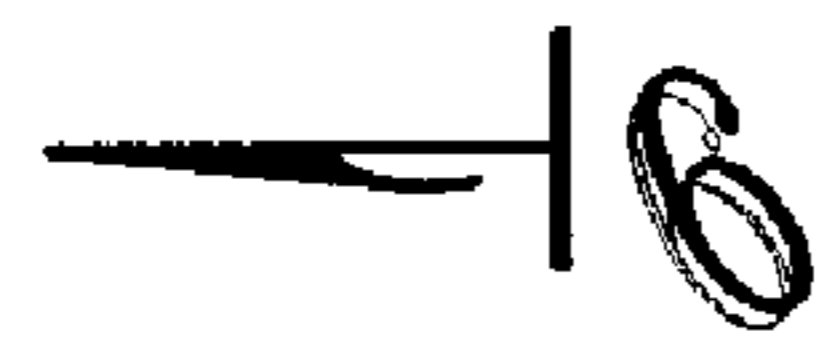
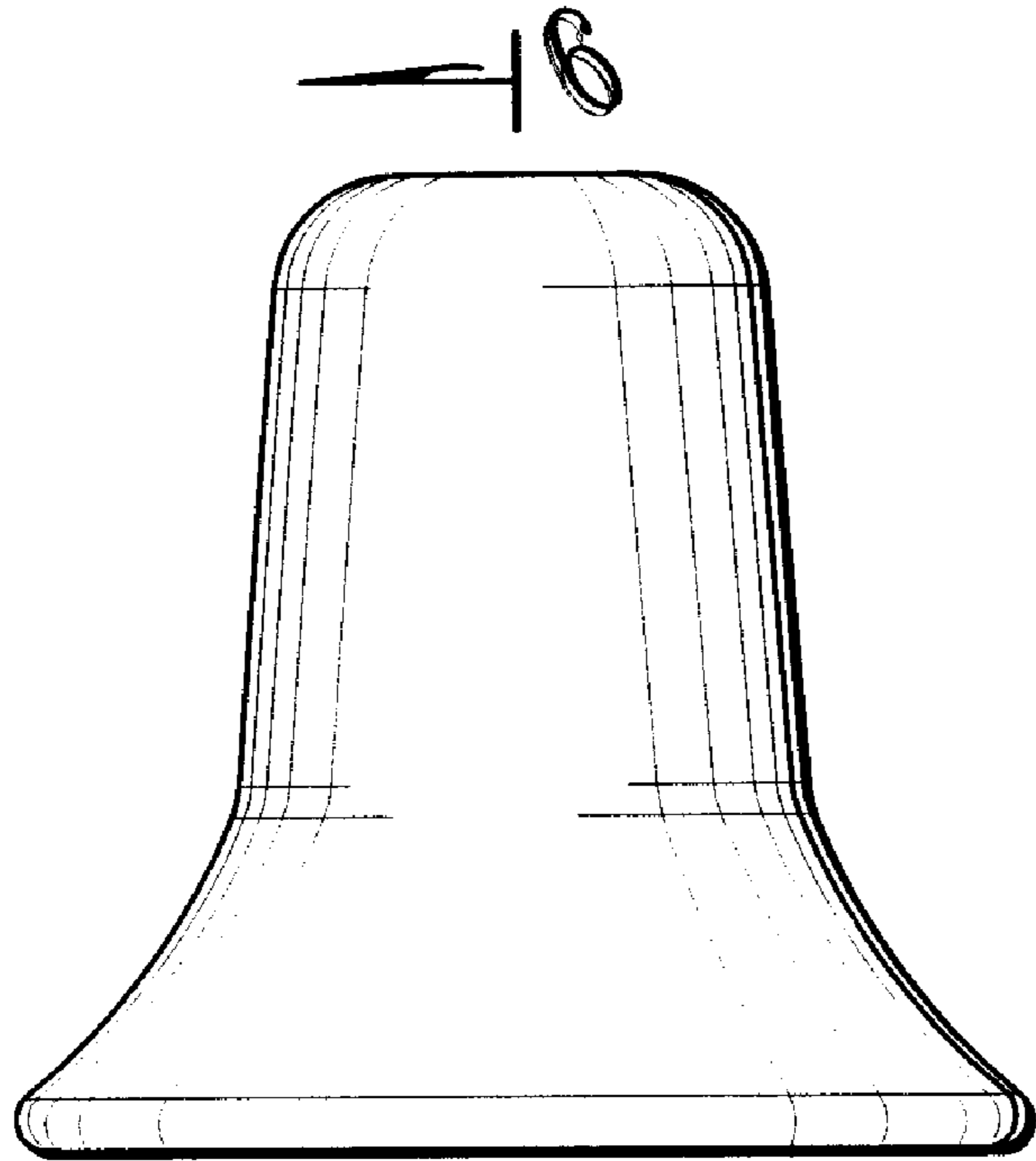


FIG. 3

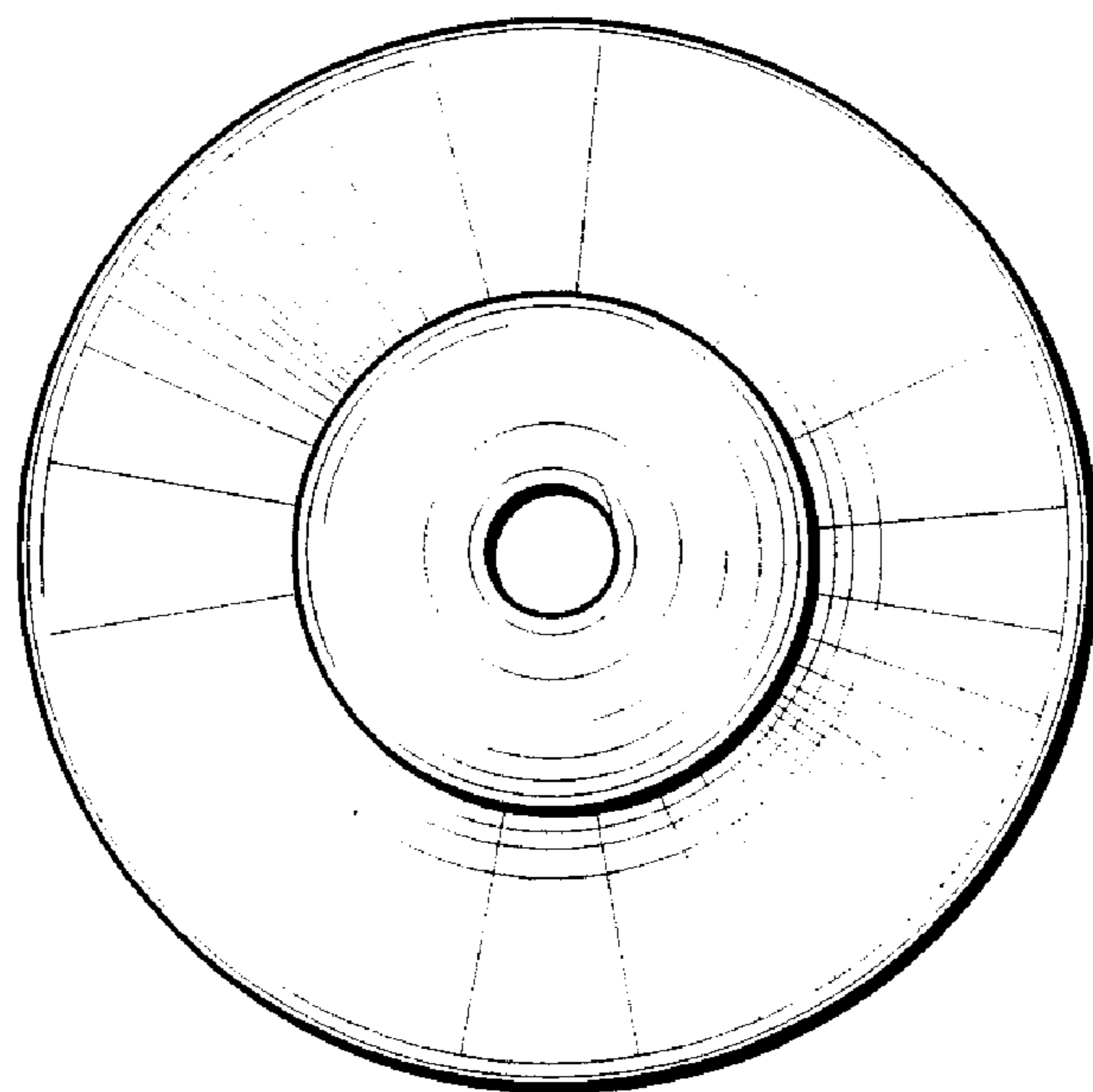


FIG. 4

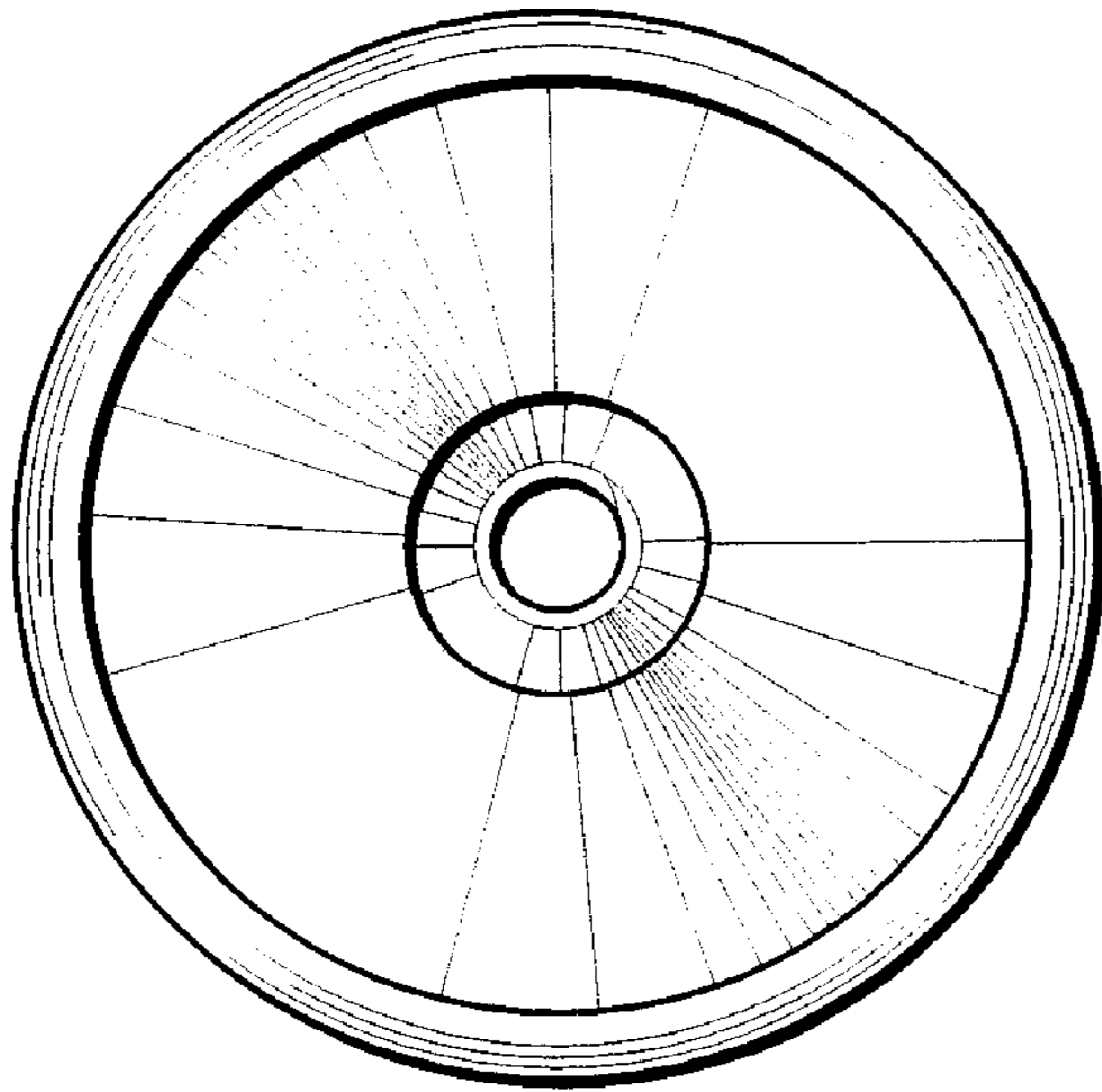


FIG. 5

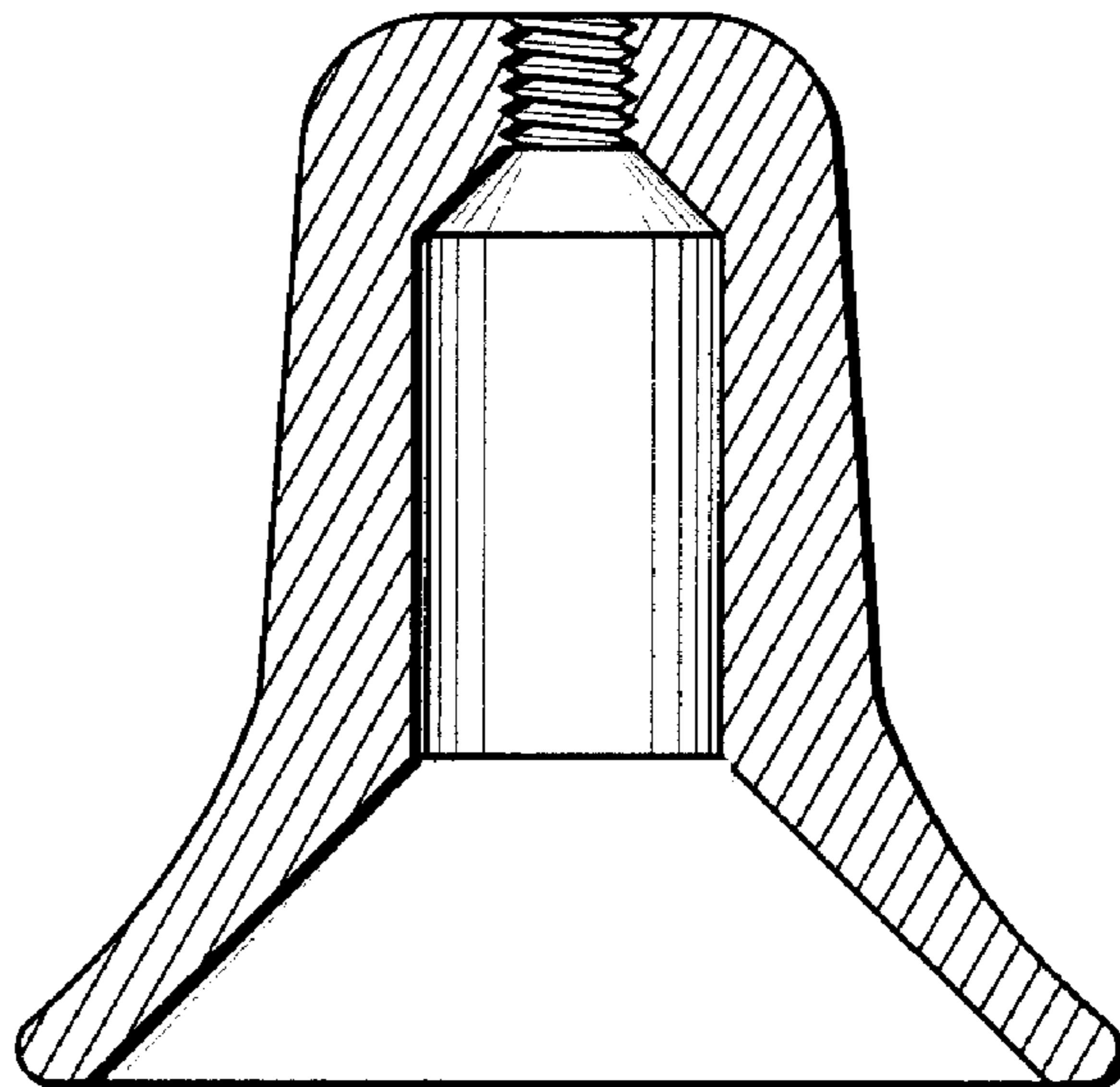


FIG. 6