



US00D581581S

(12) **United States Design Patent**  
**Huang**

(10) **Patent No.:** **US D581,581 S**  
(45) **Date of Patent:** **\*\* Nov. 25, 2008**

(54) **LAMPSHADE OF A TABLE LAMP**  
(76) Inventor: **Huo-Tu Huang**, No. 9, Lane 379,  
Chung-Hwa Road, Su-Lin, Taipei County  
(TW)

(\*\*) Term: **14 Years**

(21) Appl. No.: **29/290,788**

(22) Filed: **Jan. 14, 2008**

(51) **LOC (8) Cl.** ..... **26-99**

(52) **U.S. Cl.** ..... **D26/118**

(58) **Field of Classification Search** ..... D26/145,  
D26/155, 141, 144, 152, 118, 142, 128, 138,  
D26/113, 120, 122, 140, 143, 147, 154, 63,  
D26/65, 61; 362/147, 151, 241, 291, 296,  
362/319, 341, 146, 370, 371, 395, 405, 410,  
362/432, 441

See application file for complete search history.

(56) **References Cited**

**U.S. PATENT DOCUMENTS**

D152,281 S \* 1/1949 Mehr ..... D24/210  
D350,620 S \* 9/1994 Yuen ..... D26/65  
D369,431 S \* 4/1996 Muellenmeister ..... D26/118  
D427,348 S \* 6/2000 Huang ..... D26/63  
D441,114 S \* 4/2001 Chen ..... D26/63  
D441,476 S \* 5/2001 Mendelsohn et al. .... D26/63

D446,877 S \* 8/2001 Lester ..... D26/72  
6,350,042 B1 \* 2/2002 Lai ..... 362/277  
D456,923 S \* 5/2002 Konig ..... D26/60  
D479,622 S \* 9/2003 Huang ..... D26/118  
D525,381 S \* 7/2006 Hodgson ..... D26/60  
D544,635 S \* 6/2007 Chen ..... D26/118  
2003/0133305 A1 \* 7/2003 Chen ..... 362/414

\* cited by examiner

*Primary Examiner*—Freda S. Nunn

*Assistant Examiner*—Kevin K Rudzinski

(74) *Attorney, Agent, or Firm*—Bacon & Thomas, PLLC

(57) **CLAIM**

I claim the ornamental design for lampshade of a table lamp,  
as shown and described.

**DESCRIPTION**

FIG. 1 is a perspective view of lampshade of a table lamp  
showing my new design

FIG. 2 is a front elevational view thereof;

FIG. 3 is a rear elevational view thereof;

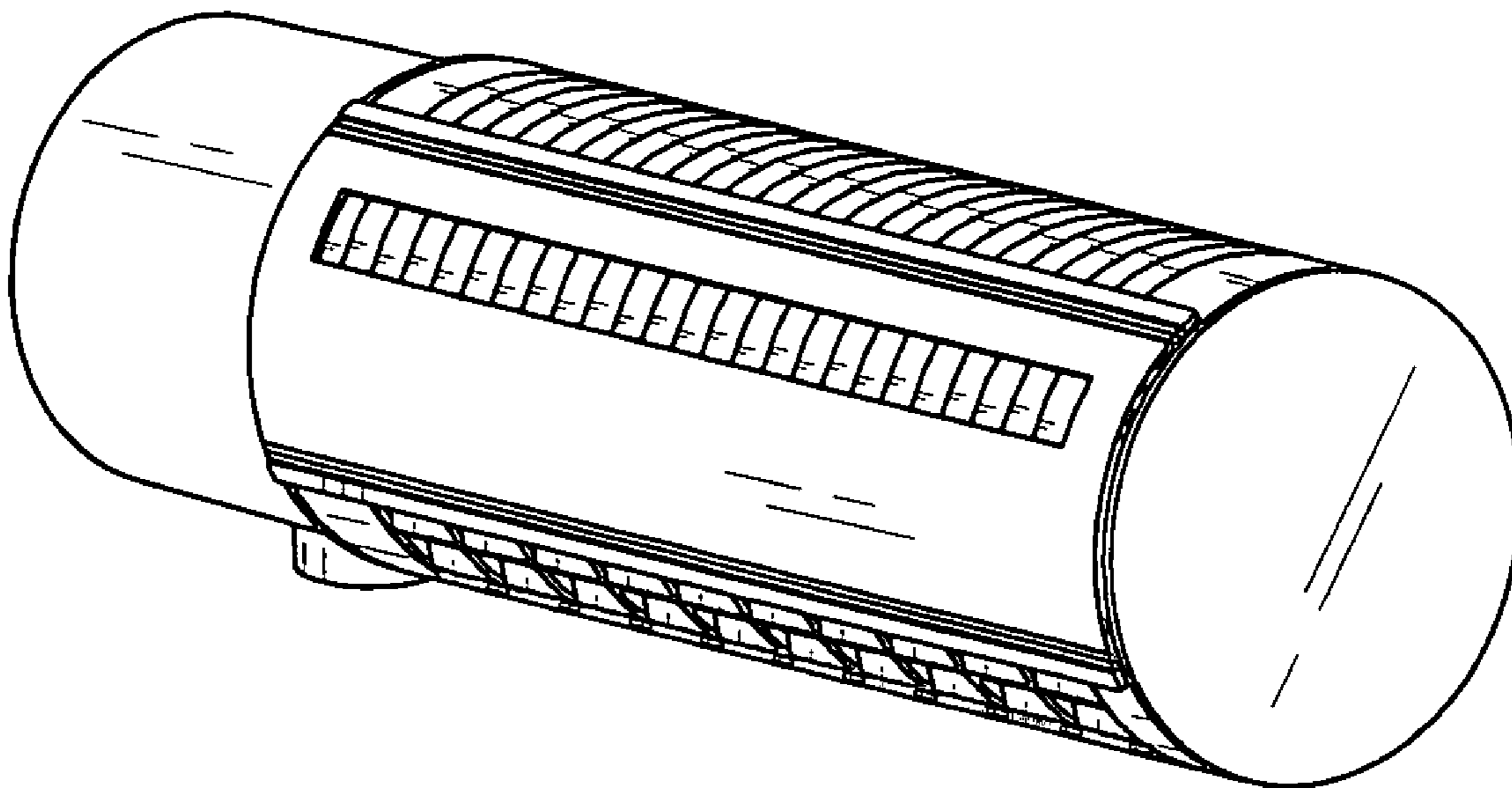
FIG. 4 is a left side elevational view thereof;

FIG. 5 is a right side elevational view thereof;

FIG. 6 is a top plan view thereof; and,

FIG. 7 is a bottom plan view thereof.

**1 Claim, 4 Drawing Sheets**



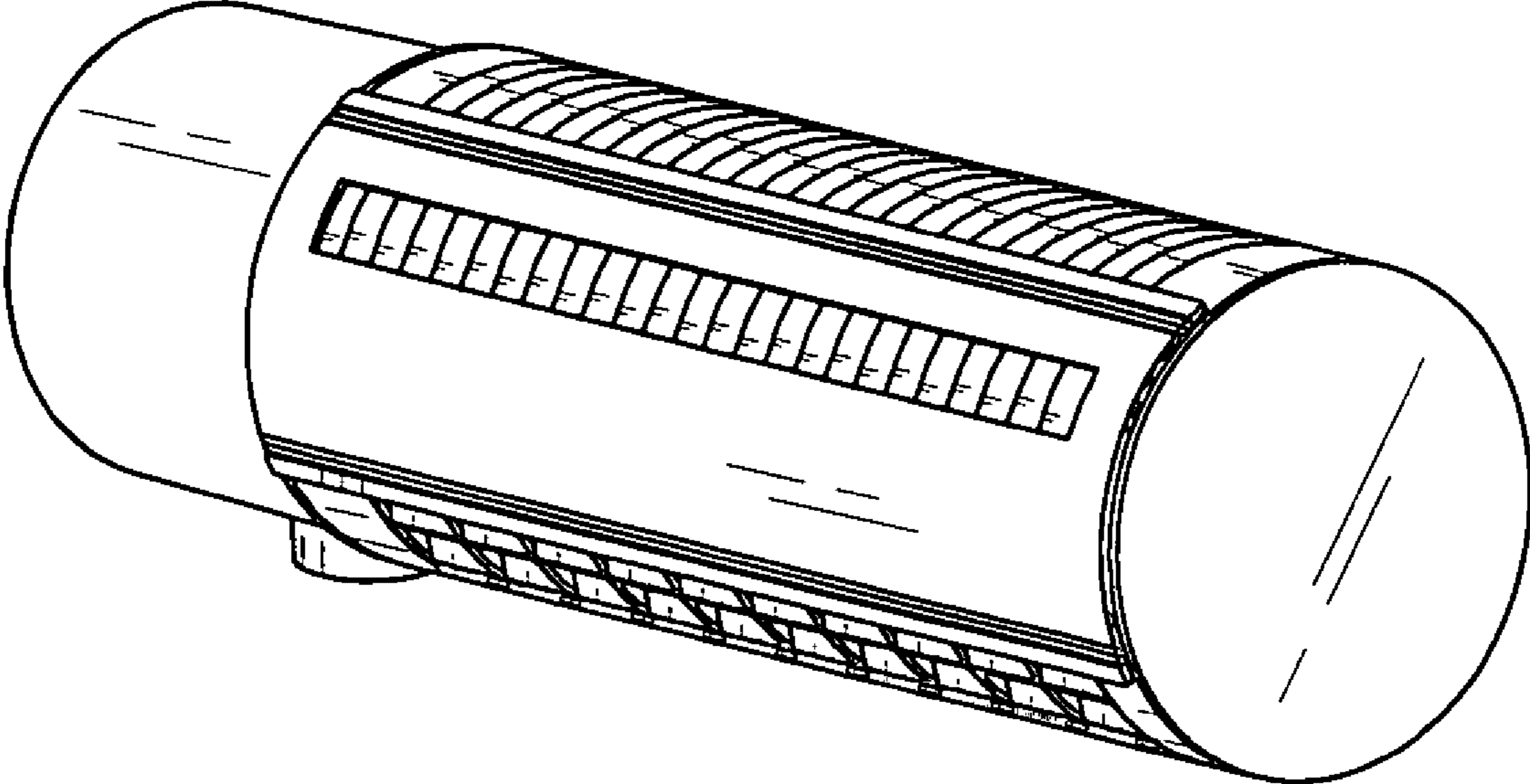


FIG. 1

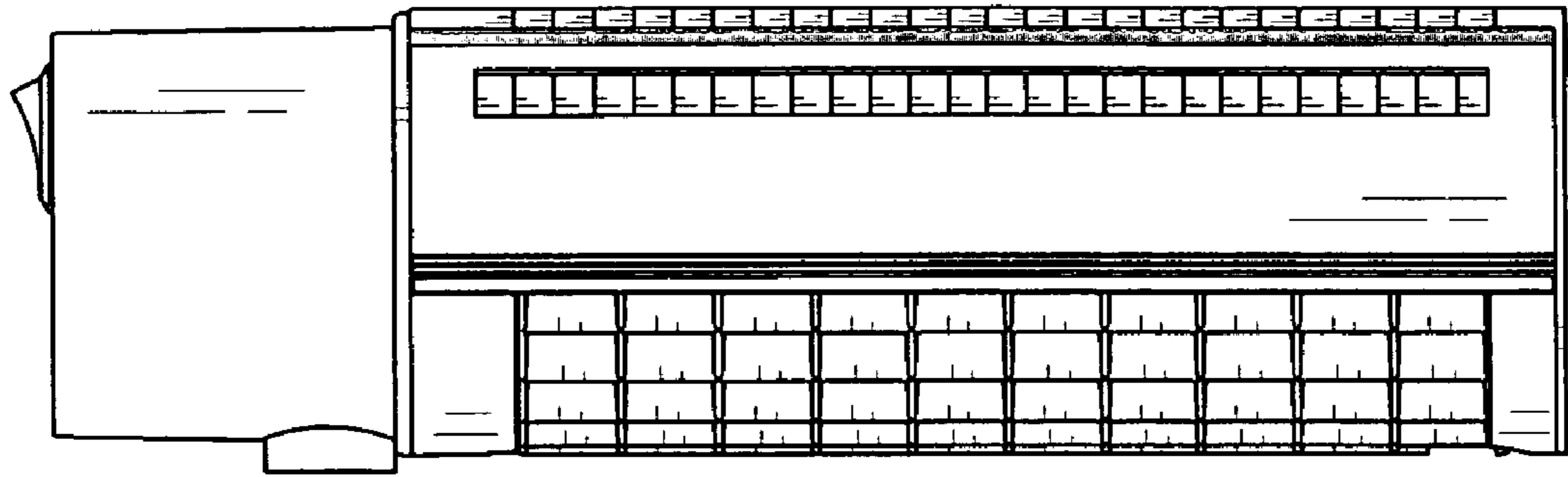


FIG. 2

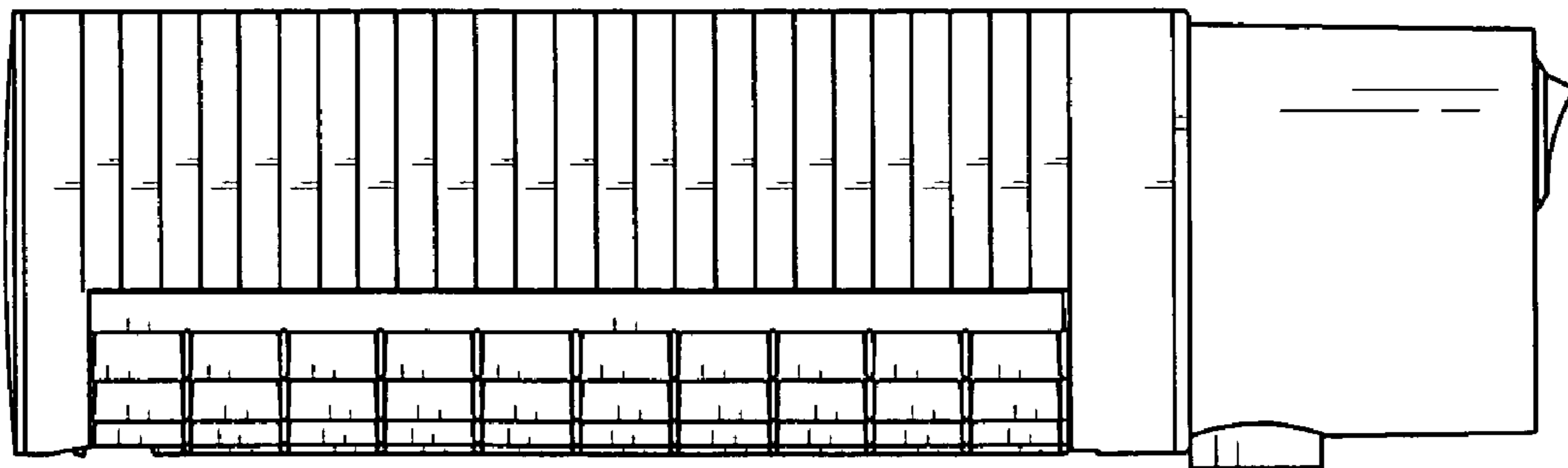
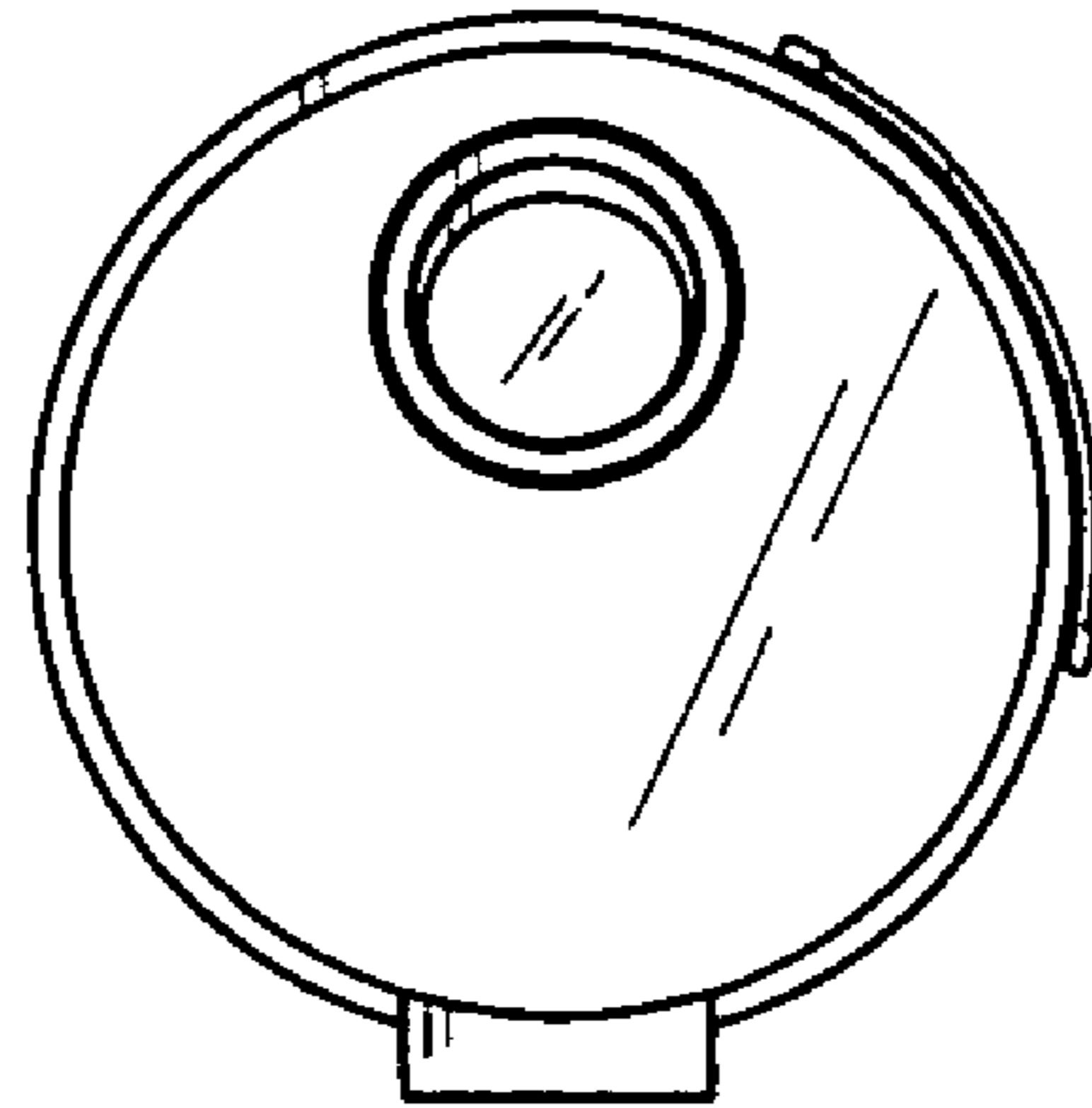
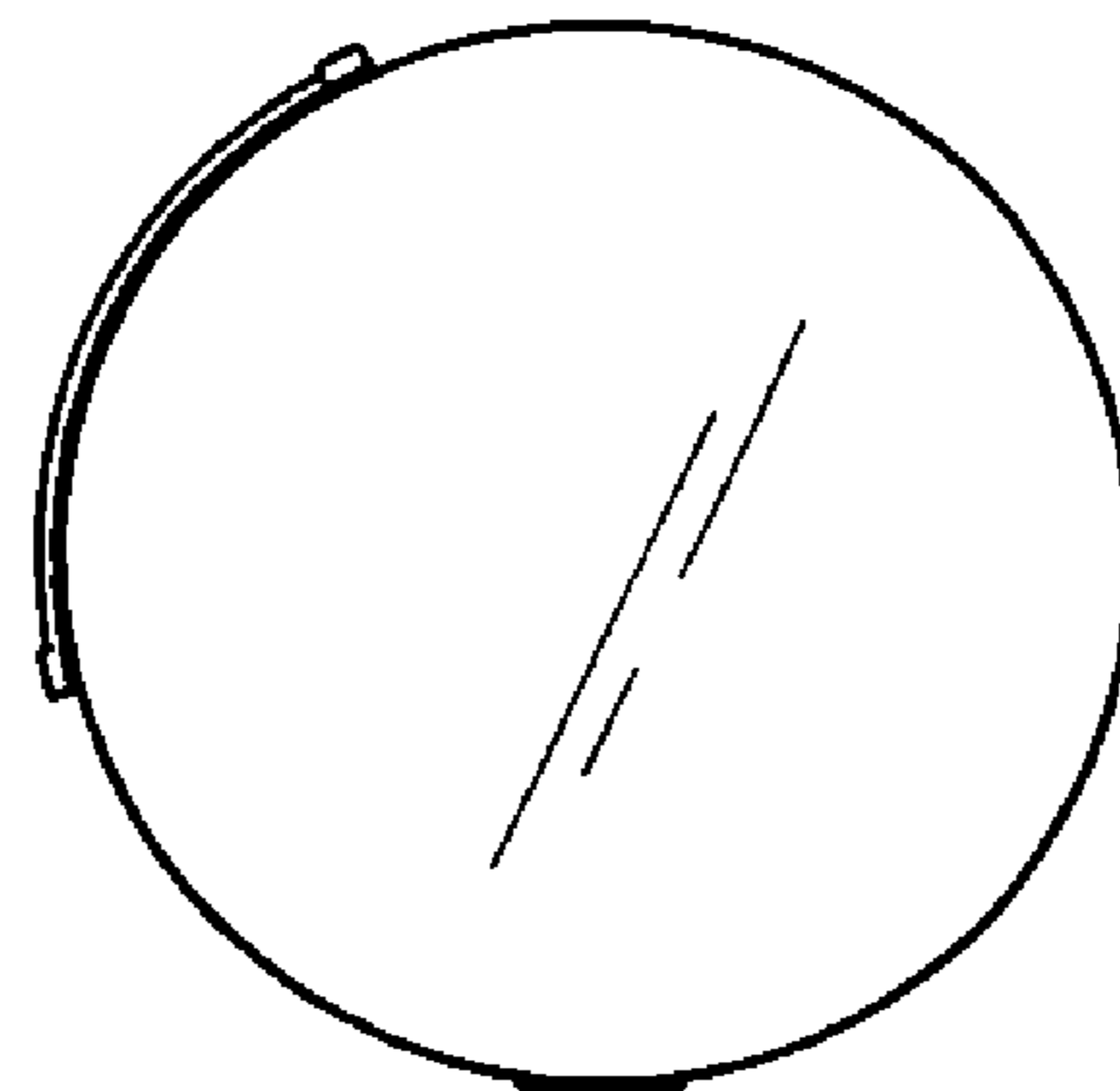


FIG. 3



**FIG. 4**



**FIG. 5**

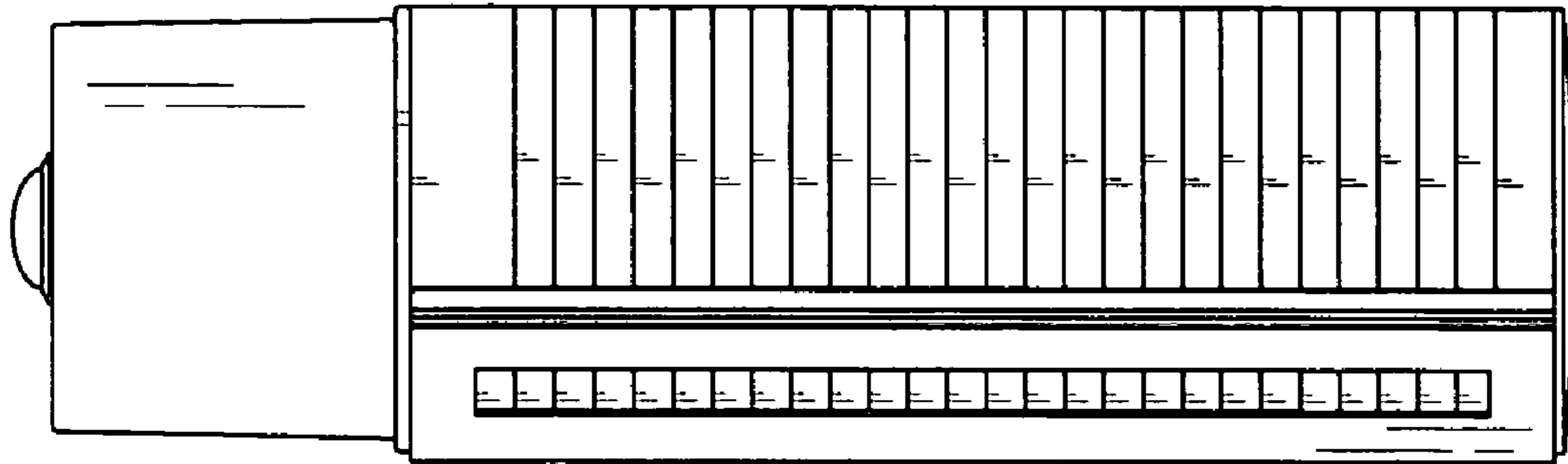


FIG. 6

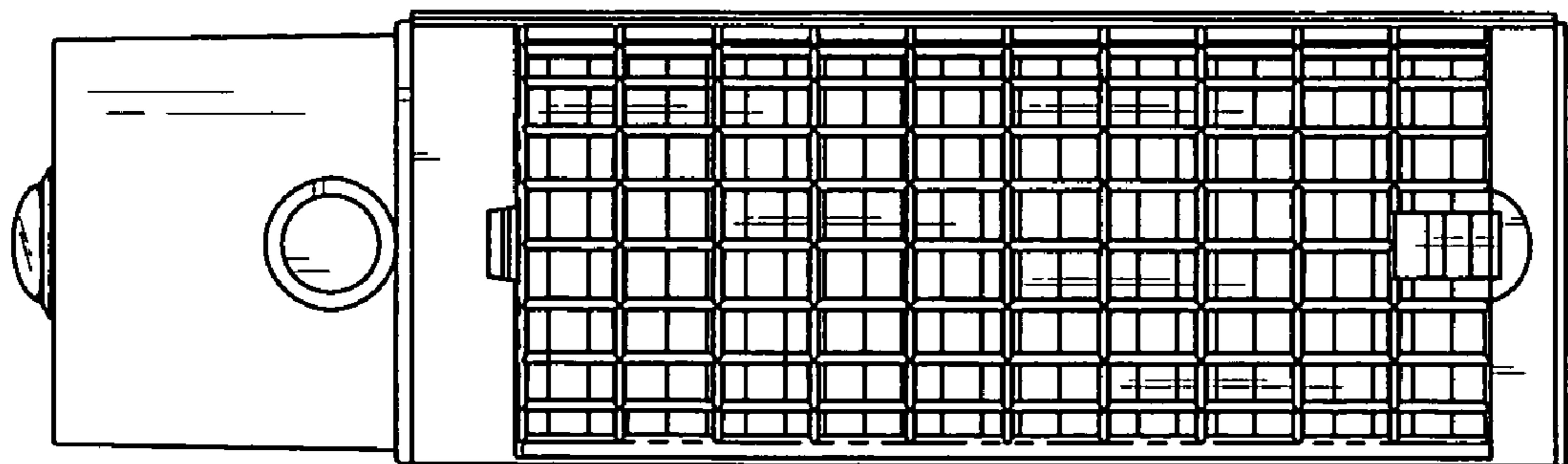


FIG. 7