



US00D581580S

(12) **United States Design Patent**
Townsley

(10) **Patent No.:** **US D581,580 S**

(45) **Date of Patent:** **** Nov. 25, 2008**

(54) **BALLAST COVER**

(75) Inventor: **Evan Townsley**, Culver City, CA (US)

(73) Assignee: **International Growers Supply**
Incorporated CA (US)

(**) Term: **14 Years**

(21) Appl. No.: **29/278,414**

(22) Filed: **Mar. 28, 2007**

(51) **LOC (8) Cl.** **26-99**

(52) **U.S. Cl.** **D26/118**

(58) **Field of Classification Search** D26/113,
D26/118, 122, 152, 72, 74, 155, 60, 75, 77,
D26/85, 119, 127, 128, 61, 63, 64, 65, 76,
D26/78, 80, 81, 82, 83, 120, 123, 124, 135,
D26/138, 142, 149, 151; 362/563, 147, 151,
362/218, 246, 260, 277, 285, 330, 364, 365,
362/404

See application file for complete search history.

(56) **References Cited**

U.S. PATENT DOCUMENTS

3,268,718	A *	8/1966	Ostensen	362/218
D244,143	S *	4/1977	England	D13/102
D268,212	S *	3/1983	Laughter	D26/142
4,891,737	A *	1/1990	Szymanek	362/223
D311,589	S *	10/1990	Benchimol et al.	D26/24
5,031,083	A *	7/1991	Claesson	362/249
D348,118	S *	6/1994	Hamrin	D26/118
5,377,089	A *	12/1994	Miller	362/373

D384,178	S *	9/1997	Costa	D26/76
6,174,074	B1 *	1/2001	Lahijani	362/264
D446,329	S *	8/2001	Lau	D26/63
6,565,238	B1 *	5/2003	Pyrtle	362/373
D485,006	S *	1/2004	Huang	D26/118
D533,957	S *	12/2006	Barozzini	D26/118
2007/0147095	A1 *	6/2007	Pursifull	362/640

* cited by examiner

Primary Examiner—Freda S. Nunn

Assistant Examiner—Kevin K Rudzinski

(74) *Attorney, Agent, or Firm*—Jeffer Mangels Butler & Marmaro, LLP

(57) **CLAIM**

The ornamental design for a ballast cover, as shown and described.

DESCRIPTION

FIG. 1 is a perspective view of the ballast cover in accordance with an embodiment of the present invention;

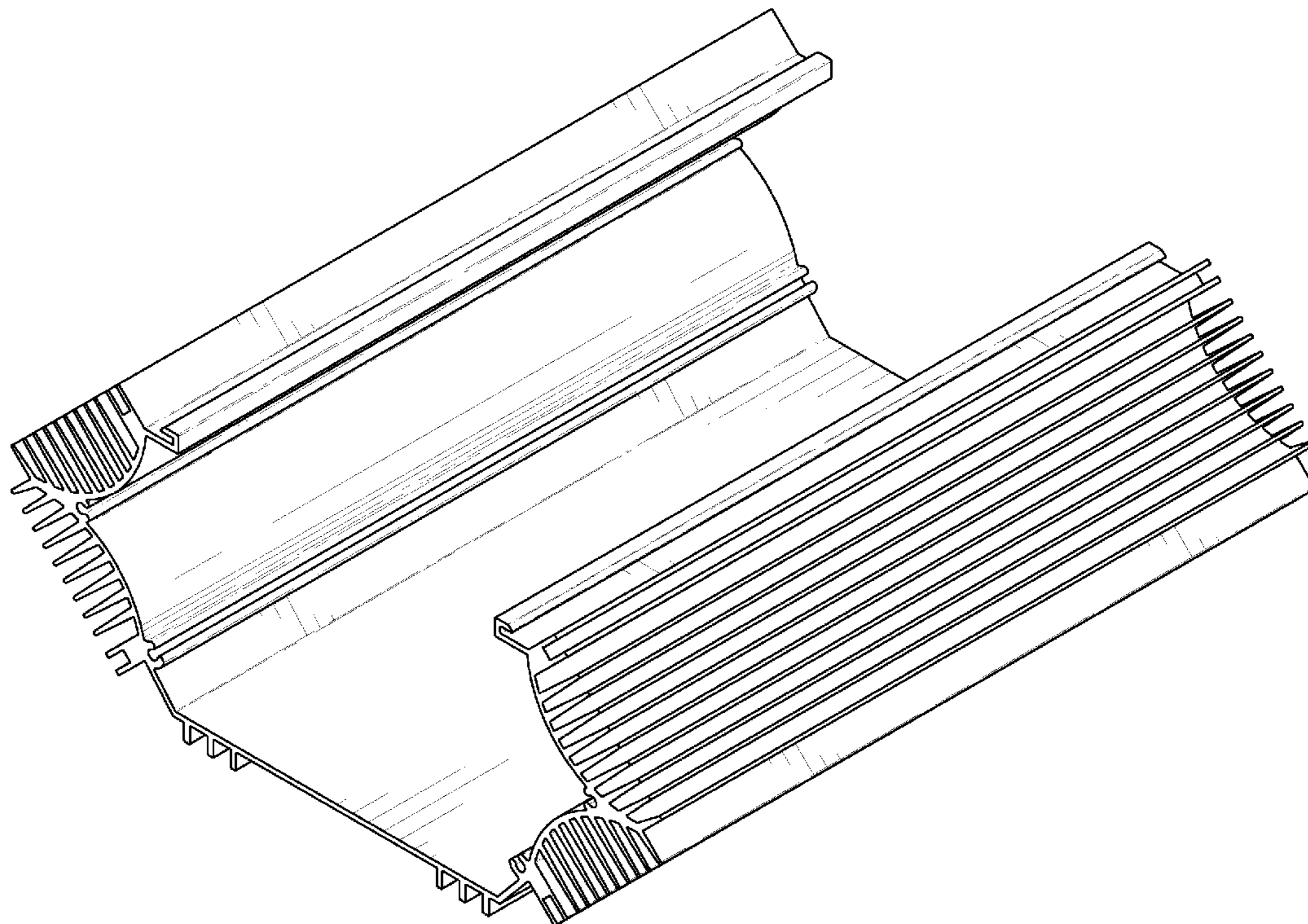
FIG. 2 is a front elevational view of the ballast cover of FIG. 1, the rear elevational view being a mirror image thereof;

FIG. 3 is a right side elevational view of the ballast cover of FIG. 1, the left side elevational view being a mirror image thereof;

FIG. 4 is a bottom plan view of the ballast cover of FIG. 1; and,

FIG. 5 is a top plan view of the ballast cover of FIG. 1.

1 Claim, 5 Drawing Sheets



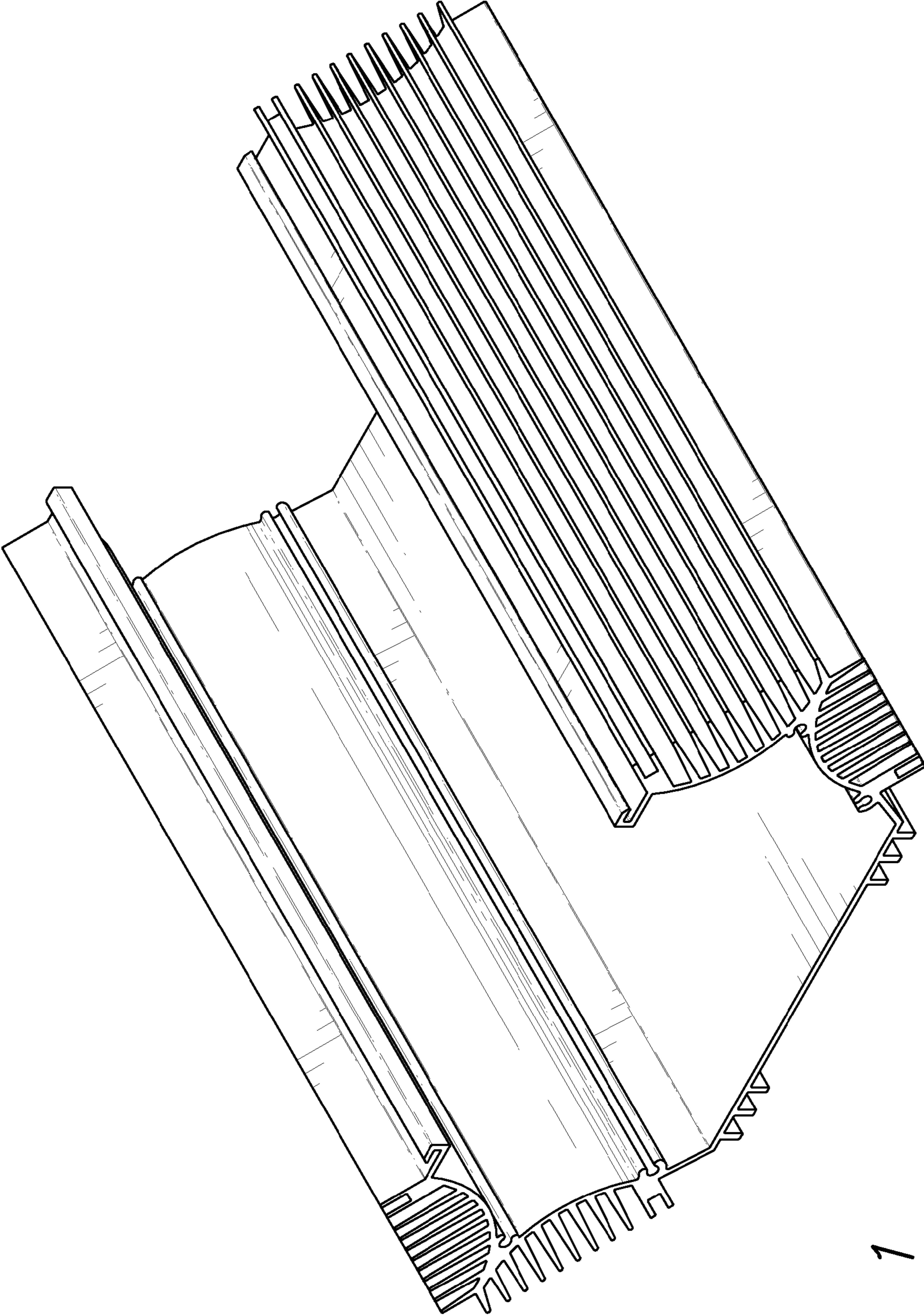


FIG. 1

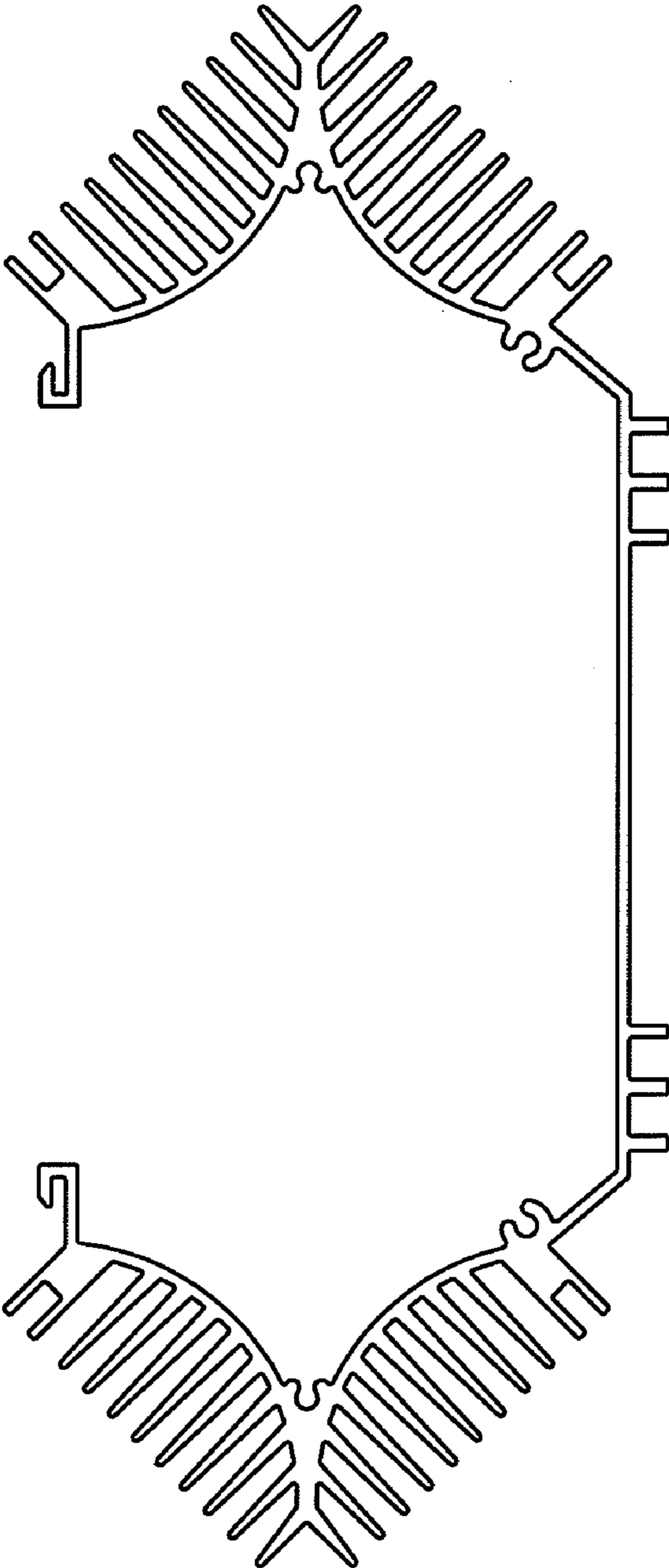


FIG. 2

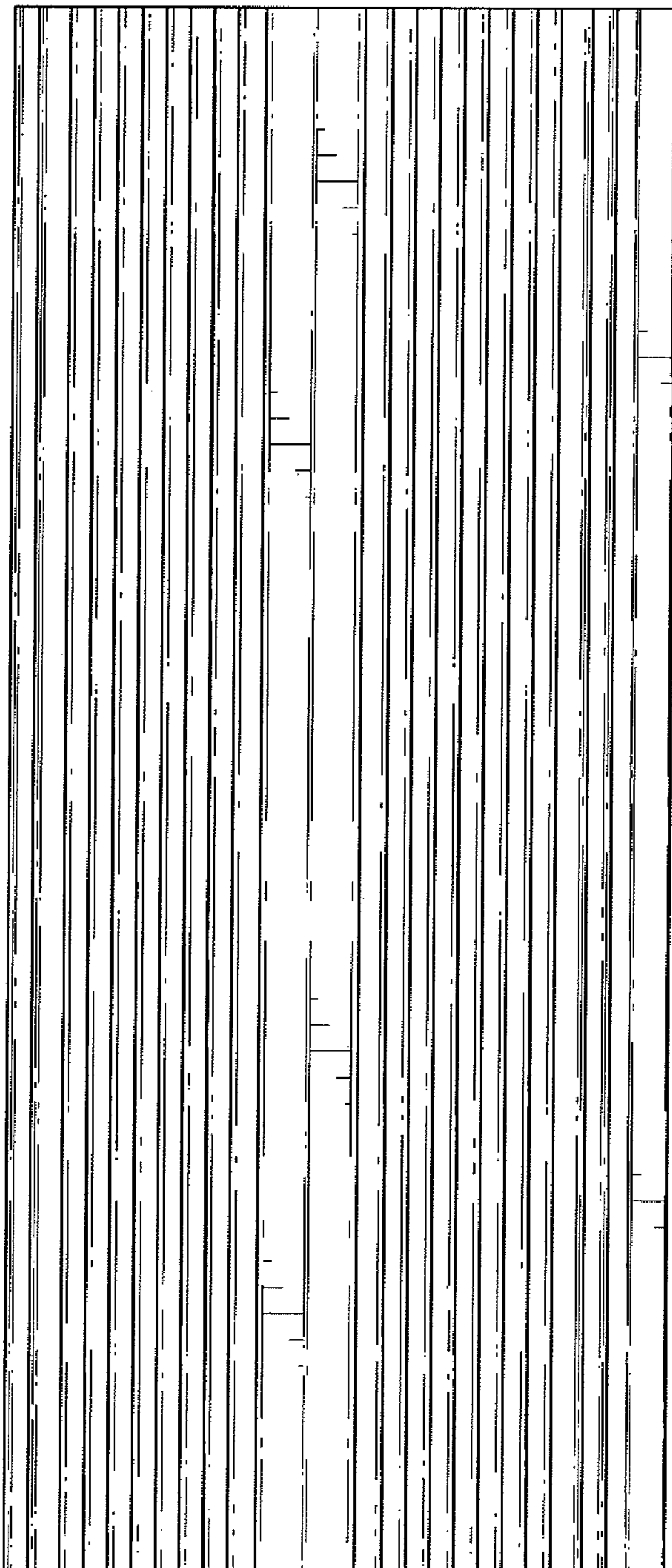


FIG. 3

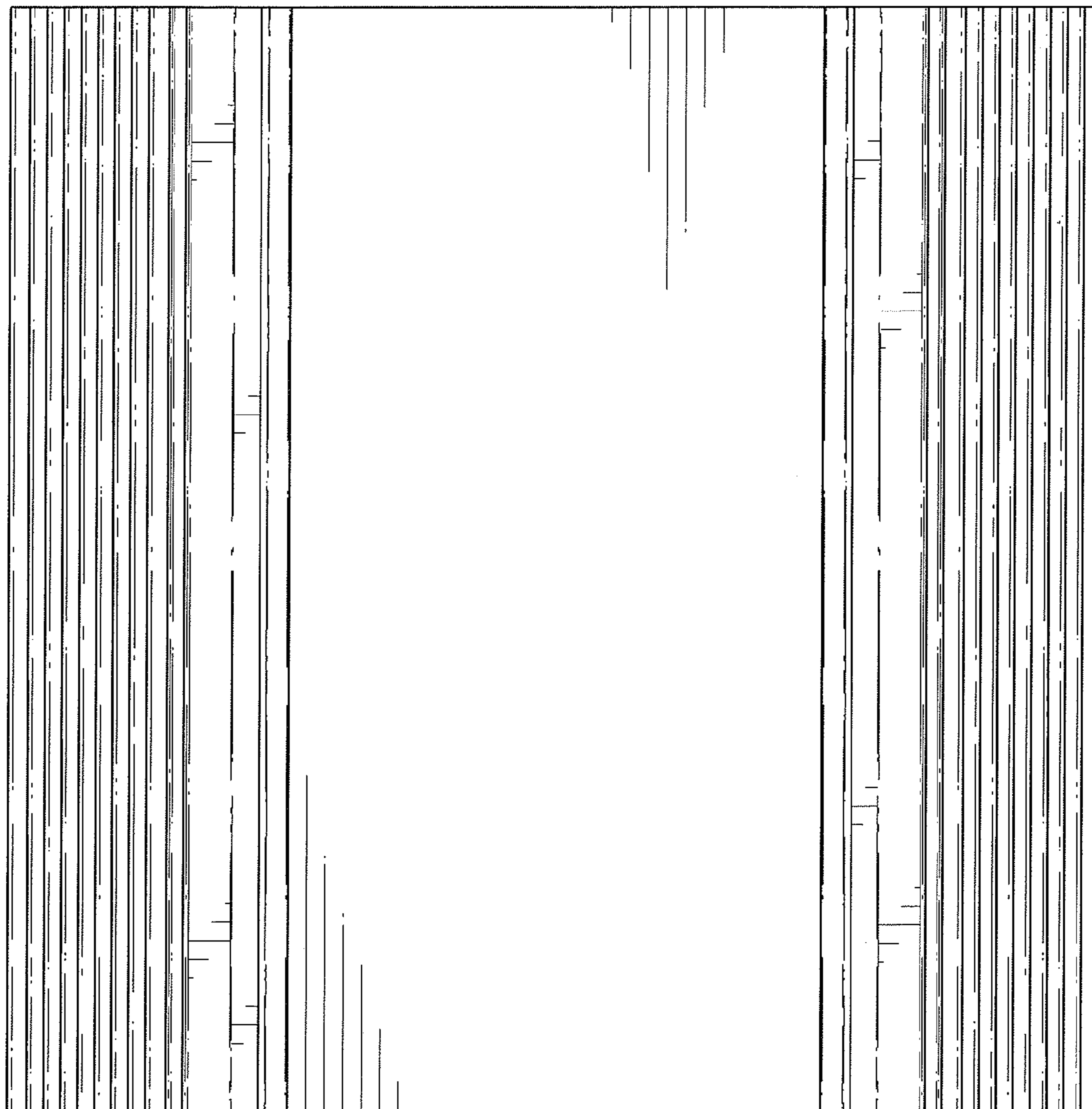


FIG. 4

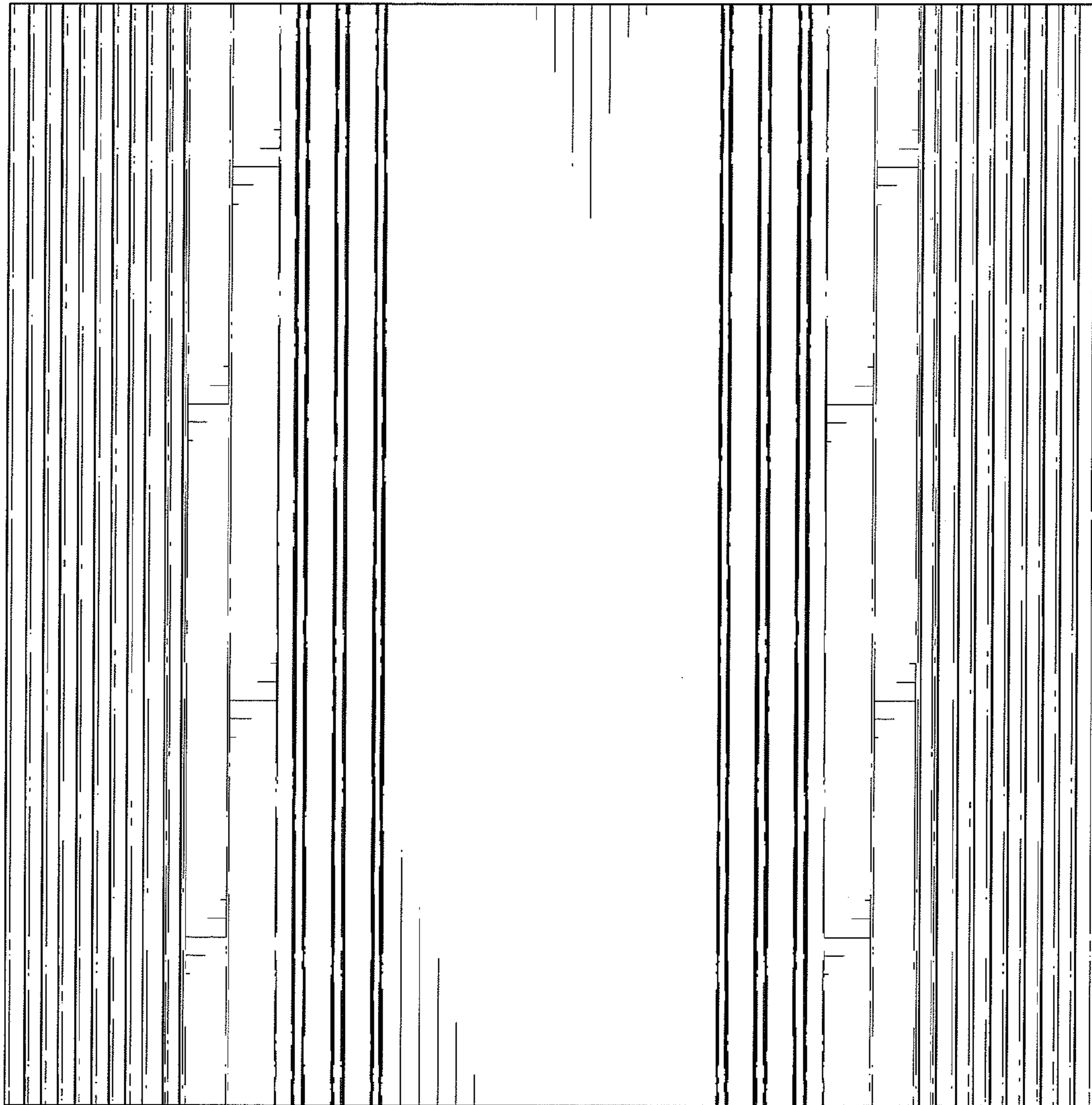


FIG. 5