



US00D581579S

(12) **United States Design Patent**  
**Ottobre**

(10) **Patent No.:** **US D581,579 S**

(45) **Date of Patent:** **\*\* Nov. 25, 2008**

(54) **LIGHTING ASSEMBLY**

(75) Inventor: **Tony Ottobre**, Thomastown (AU)

(73) Assignee: **Led Technologies Pty Ltd**,  
Thomastown, Victoria (AU)

(\*\*) Term: **14 Years**

(21) Appl. No.: **29/256,638**

(22) Filed: **Mar. 23, 2006**

(30) **Foreign Application Priority Data**

Sep. 30, 2005 (AU) ..... 14263/2005

(51) **LOC (8) Cl.** ..... **26-99**

(52) **U.S. Cl.** ..... **D26/118**

(58) **Field of Classification Search** ..... D26/124,  
D26/123, 120, 122, 119, 118, 128, 76, 80,  
D26/75, 109; D13/180, 183, 182; 362/555,  
362/545, 373, 294, 249, 244, 612, 611, 558,  
362/800

See application file for complete search history.

(56) **References Cited**

**U.S. PATENT DOCUMENTS**

D136,797 S \* 12/1943 Mareck ..... D26/76  
3,115,541 A \* 12/1963 Hanner et al. .... 174/92  
D344,605 S \* 2/1994 Aspenwall ..... D26/76  
D374,737 S \* 10/1996 Can ..... D26/80

5,800,039 A \* 9/1998 Lee ..... 362/473  
D399,587 S \* 10/1998 Compton et al. .... D26/76  
6,017,241 A \* 1/2000 Komai ..... 439/419  
D486,263 S \* 2/2004 Grothe et al. .... D26/118  
D493,565 S \* 7/2004 Smith et al. .... D26/118  
D497,883 S \* 11/2004 Wedig et al. .... D13/180

\* cited by examiner

*Primary Examiner*—Freda S. Nunn

*Assistant Examiner*—Kevin K Rudzinski

(74) *Attorney, Agent, or Firm*—Wegman, Hessler &  
Vanderburg

(57) **CLAIM**

The ornamental design for a lighting assembly, as shown and described.

**DESCRIPTION**

FIG. 1 is a top perspective view of the lighting assembly of the present invention;

FIG. 2 is a bottom perspective view thereof;

FIG. 3 is a top plan view thereof;

FIG. 4 is a bottom view thereof;

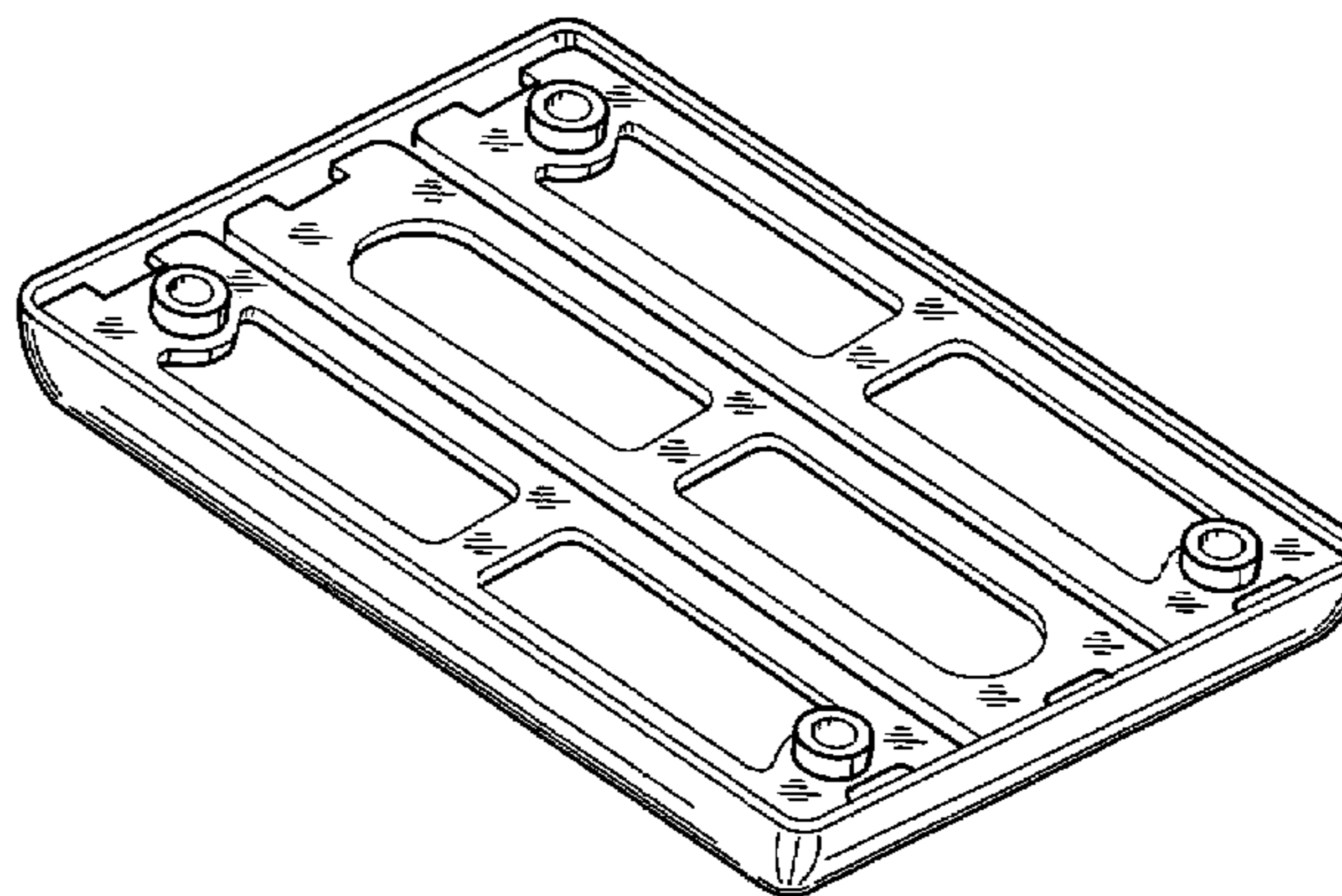
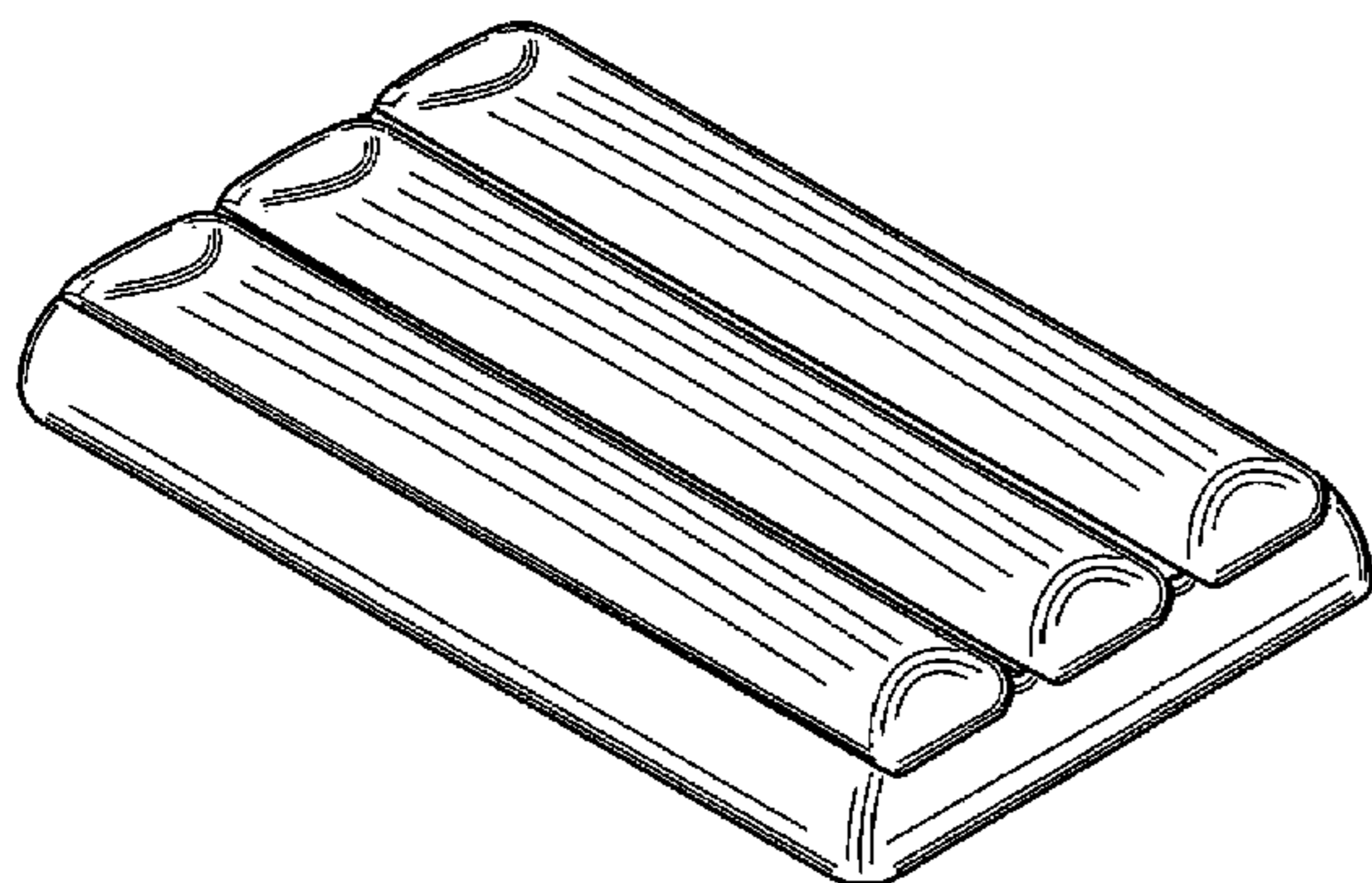
FIG. 5 is a front view thereof;

FIG. 6 is a back side view thereof;

FIG. 7 is a left side view thereof; and,

FIG. 8 is a right side view thereof.

**1 Claim, 3 Drawing Sheets**



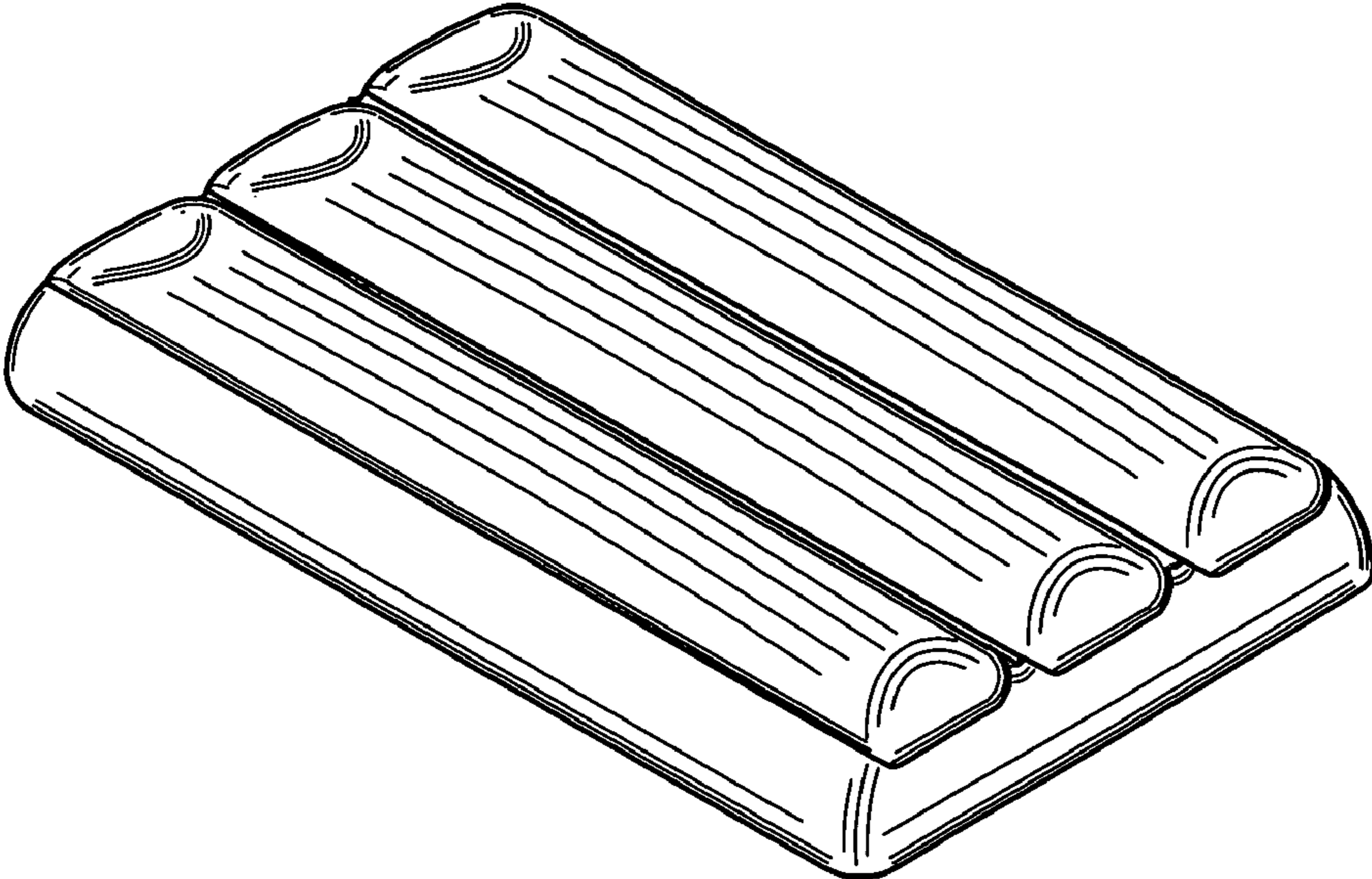


FIG. 1

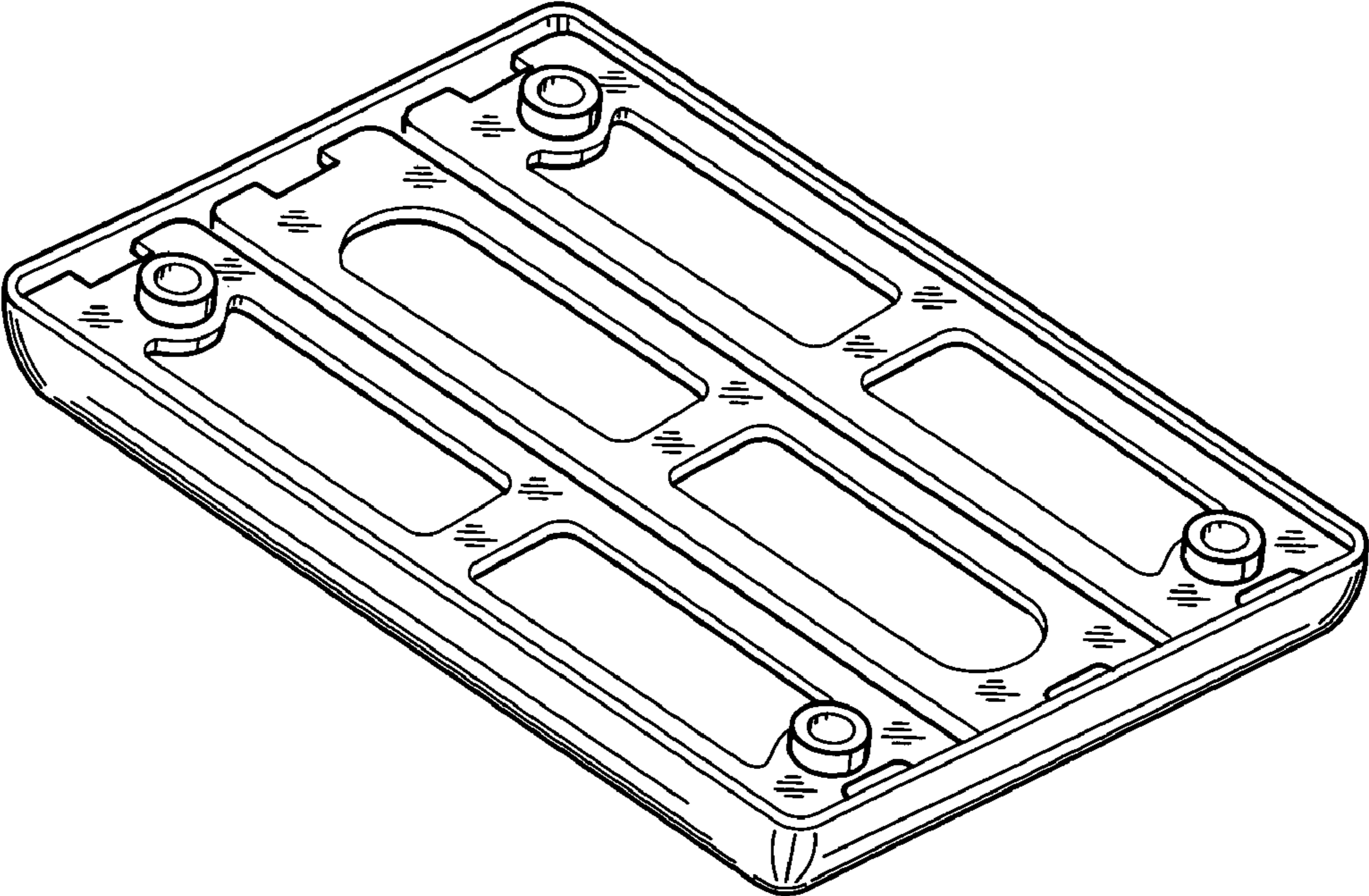


FIG. 2



FIG. 3

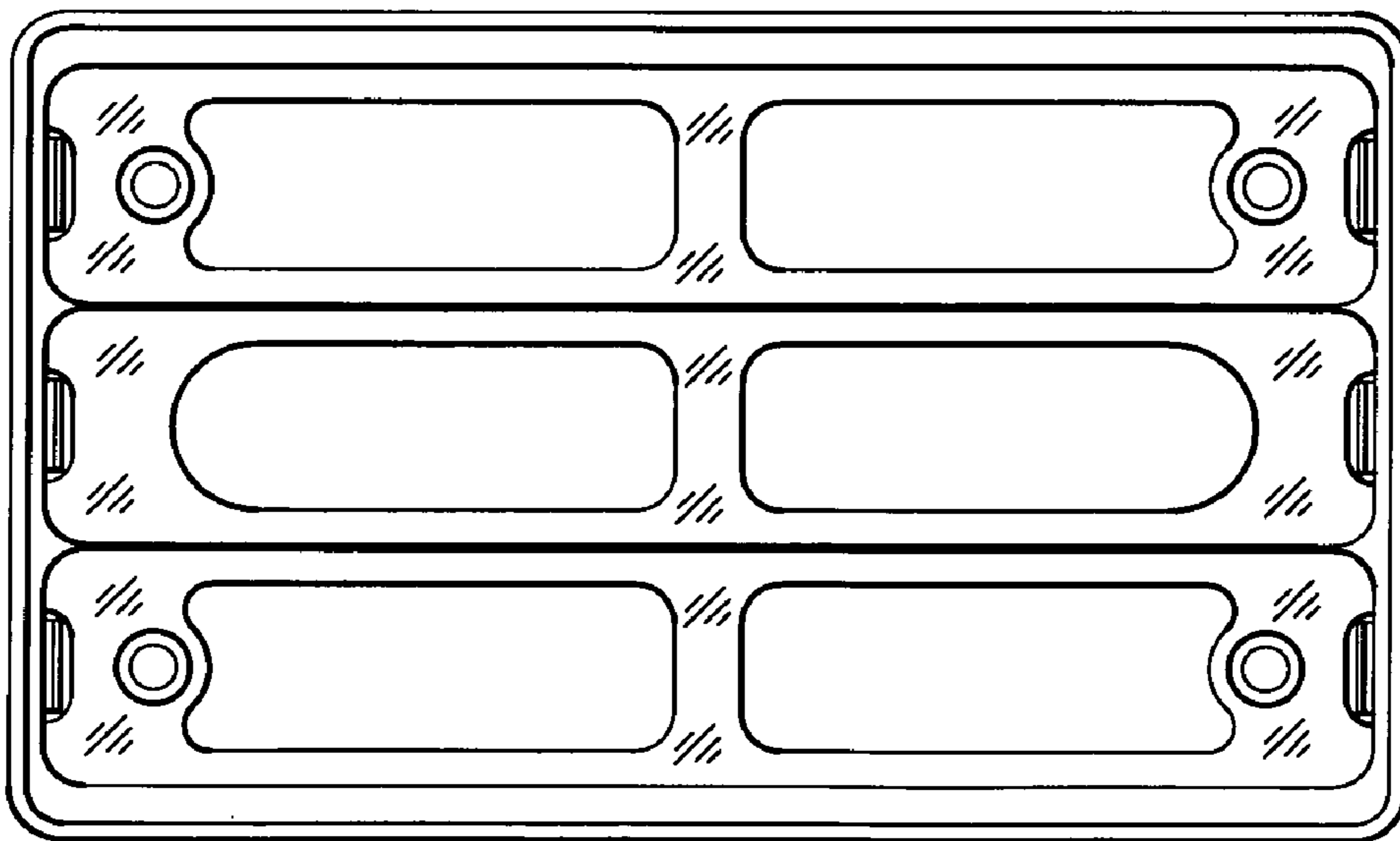


FIG. 4

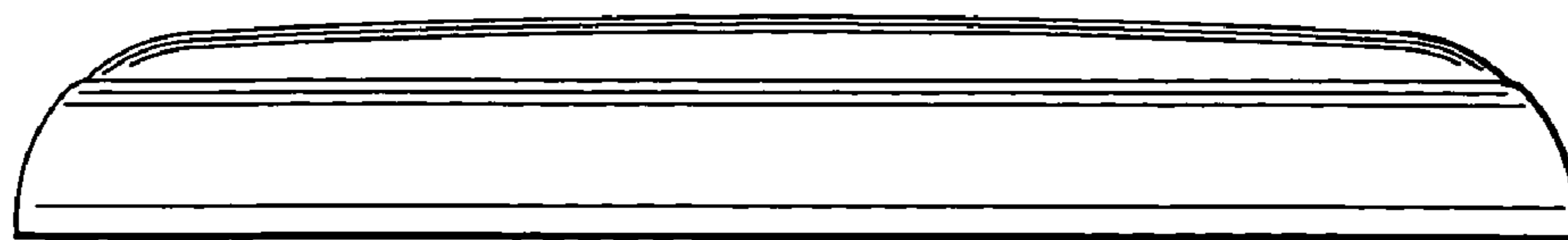


FIG. 5

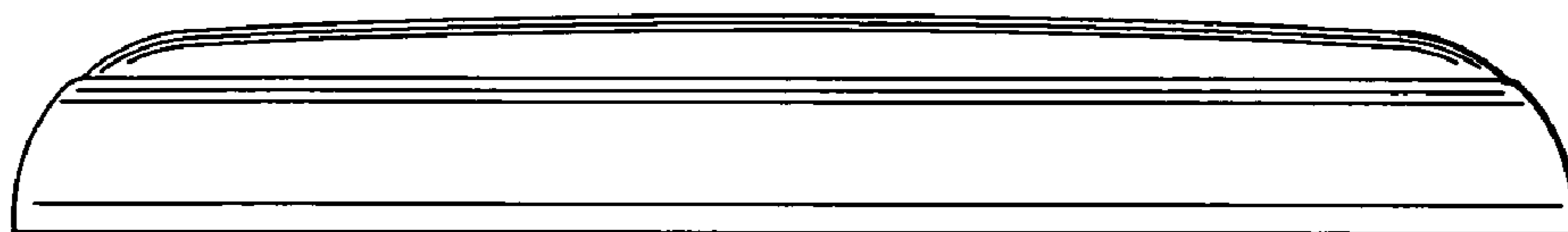


FIG. 6

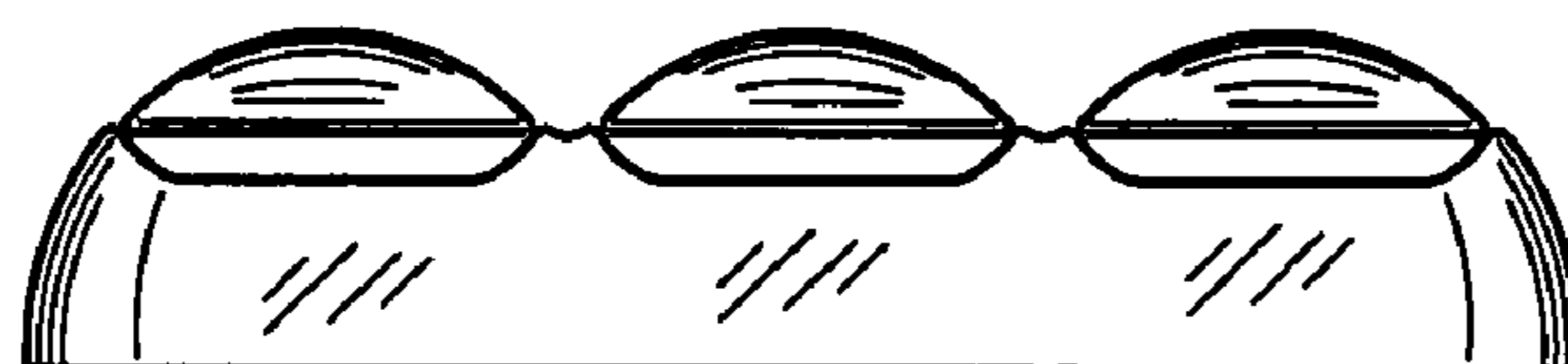


FIG. 7



FIG. 8