



US00D581578S

(12) **United States Design Patent**
Finkle

(10) **Patent No.:** **US D581,578 S**

(45) **Date of Patent:** **** Nov. 25, 2008**

(54) **LIQUID MOTION TABLE LAMP**

D500,572 S * 1/2005 Linder et al. D26/93

(76) Inventor: **Louis J. Finkle**, 3300 E. 59th St., Long Beach, CA (US) 90805

* cited by examiner

Primary Examiner—Brian N Vinson

(**) Term: **14 Years**

(74) *Attorney, Agent, or Firm*—Edgar W. Averill, Jr.; Kenneth L. Green

(21) Appl. No.: **29/294,840**

(57) **CLAIM**

(22) Filed: **Jan. 29, 2008**

The ornamental design for a liquid motion table lamp, as shown and described.

(51) **LOC (8) Cl.** **26-03**

(52) **U.S. Cl.** **D26/106**

(58) **Field of Classification Search** D26/24, D26/26, 67, 93, 104, 105, 106, 118; 362/3, 362/153, 186, 217, 255, 257, 277, 317, 351, 362/353, 362, 363, 382, 431, 433, 458, 806
See application file for complete search history.

DESCRIPTION

FIG. 1 is a perspective view of a liquid motion lamp table showing a first embodiment of my new design having three vertical support rods;

FIG. 2 is a side elevational view of a second embodiment thereof, showing the use of four vertical support rods, which is the only difference from the embodiment of FIG. 1;

FIG. 3 is a front elevational view of the design of FIG. 1;

FIG. 4 is a top plan view of the design of FIG. 1; and,

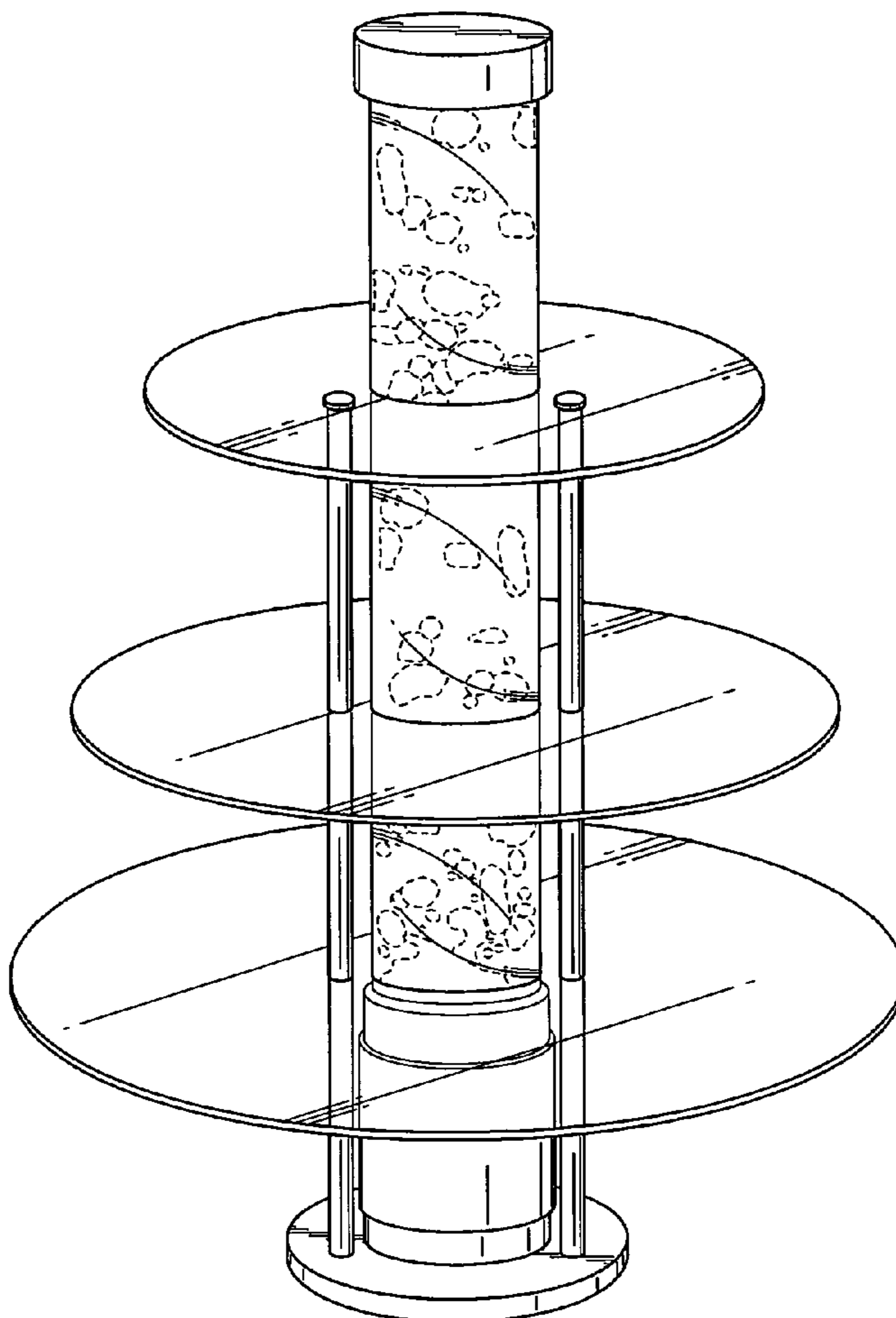
FIG. 5 is a bottom plan view of the design of FIG. 1.

(56) **References Cited**

U.S. PATENT DOCUMENTS

D255,390 S *	6/1980	Morrison	D26/105
D333,361 S *	2/1993	Eddings	D26/93
D360,967 S *	8/1995	von Kluck	D26/106
D373,843 S *	9/1996	Sonneman	D26/106

1 Claim, 3 Drawing Sheets



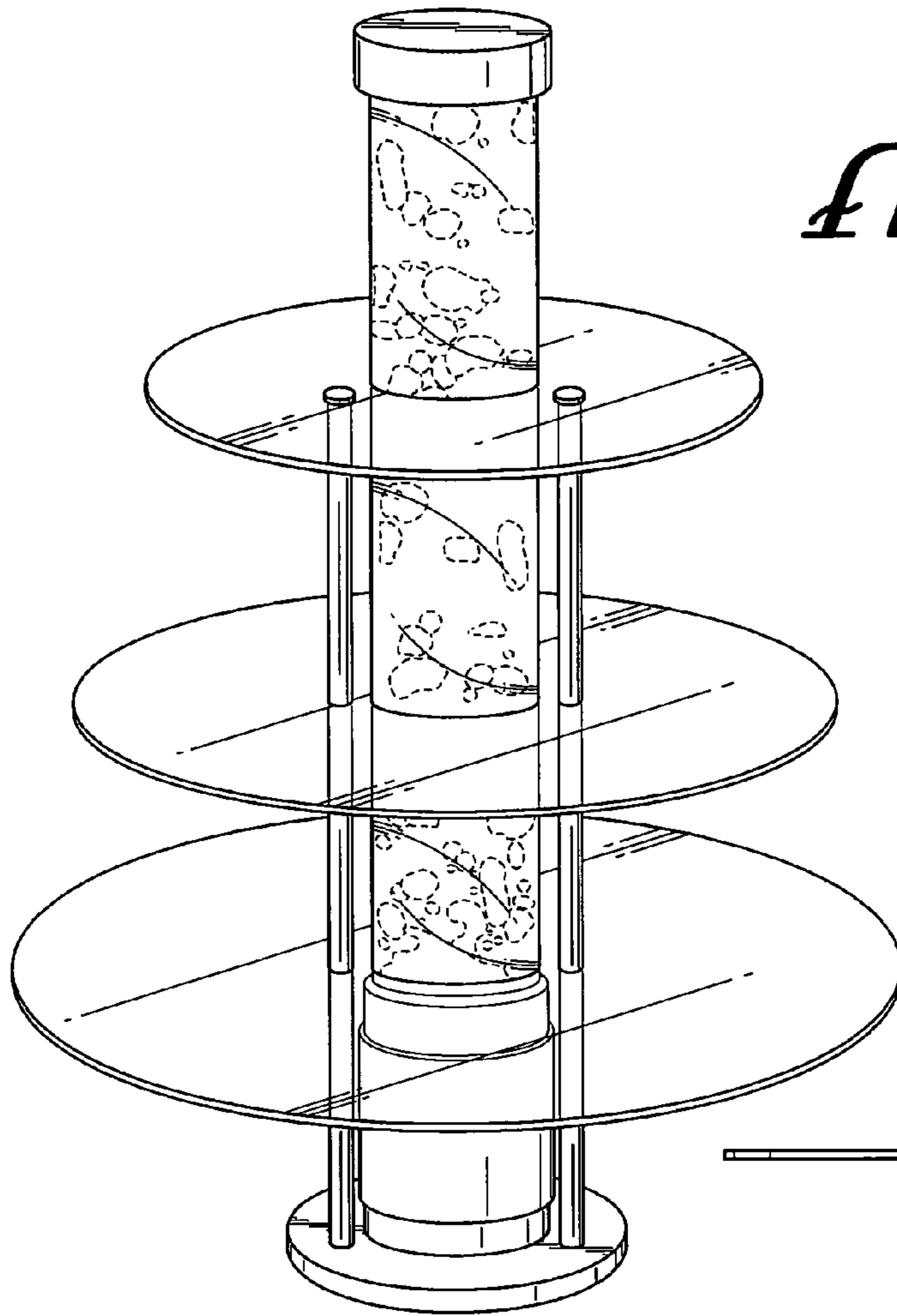


FIG. 1

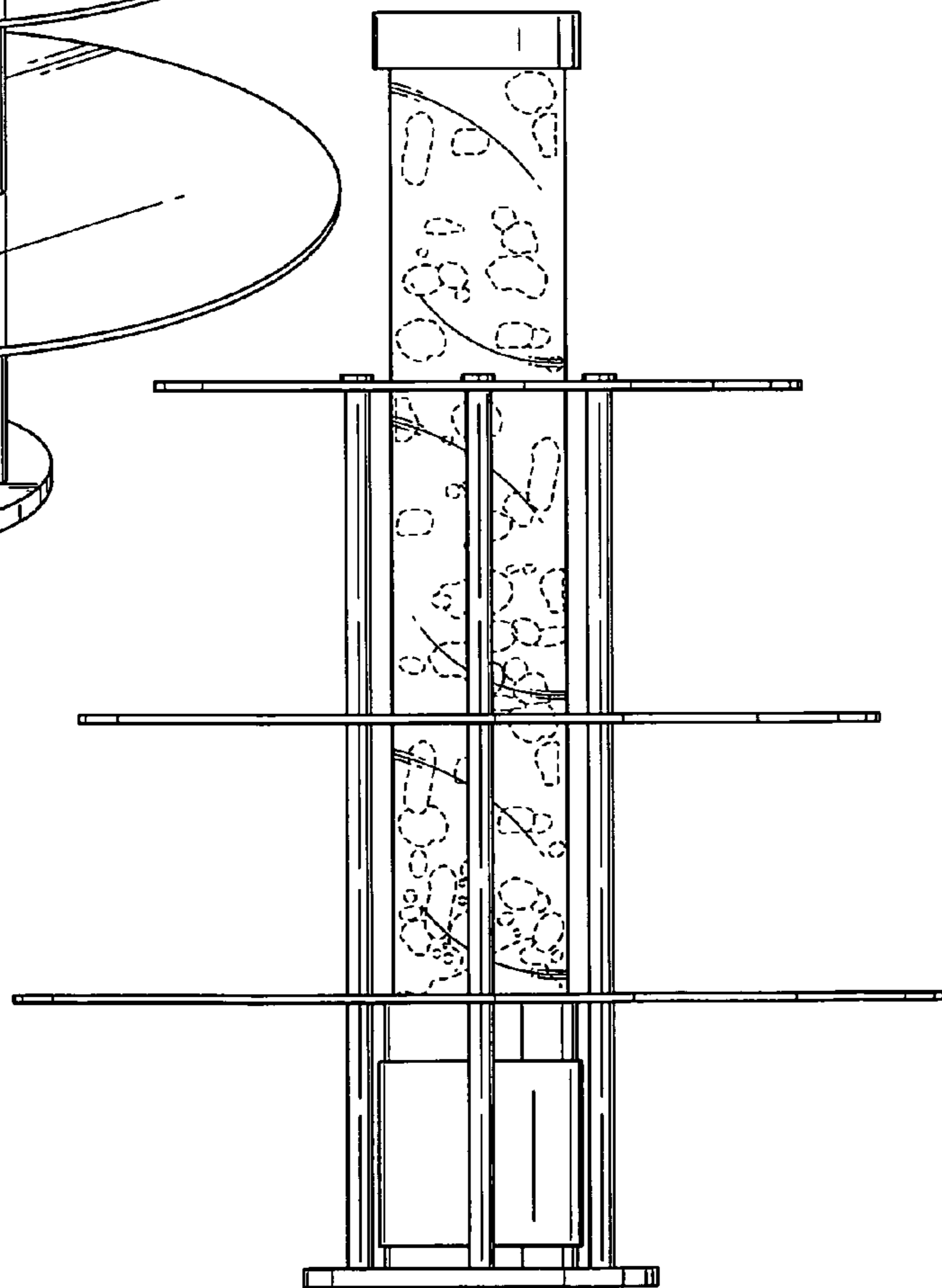


FIG. 2

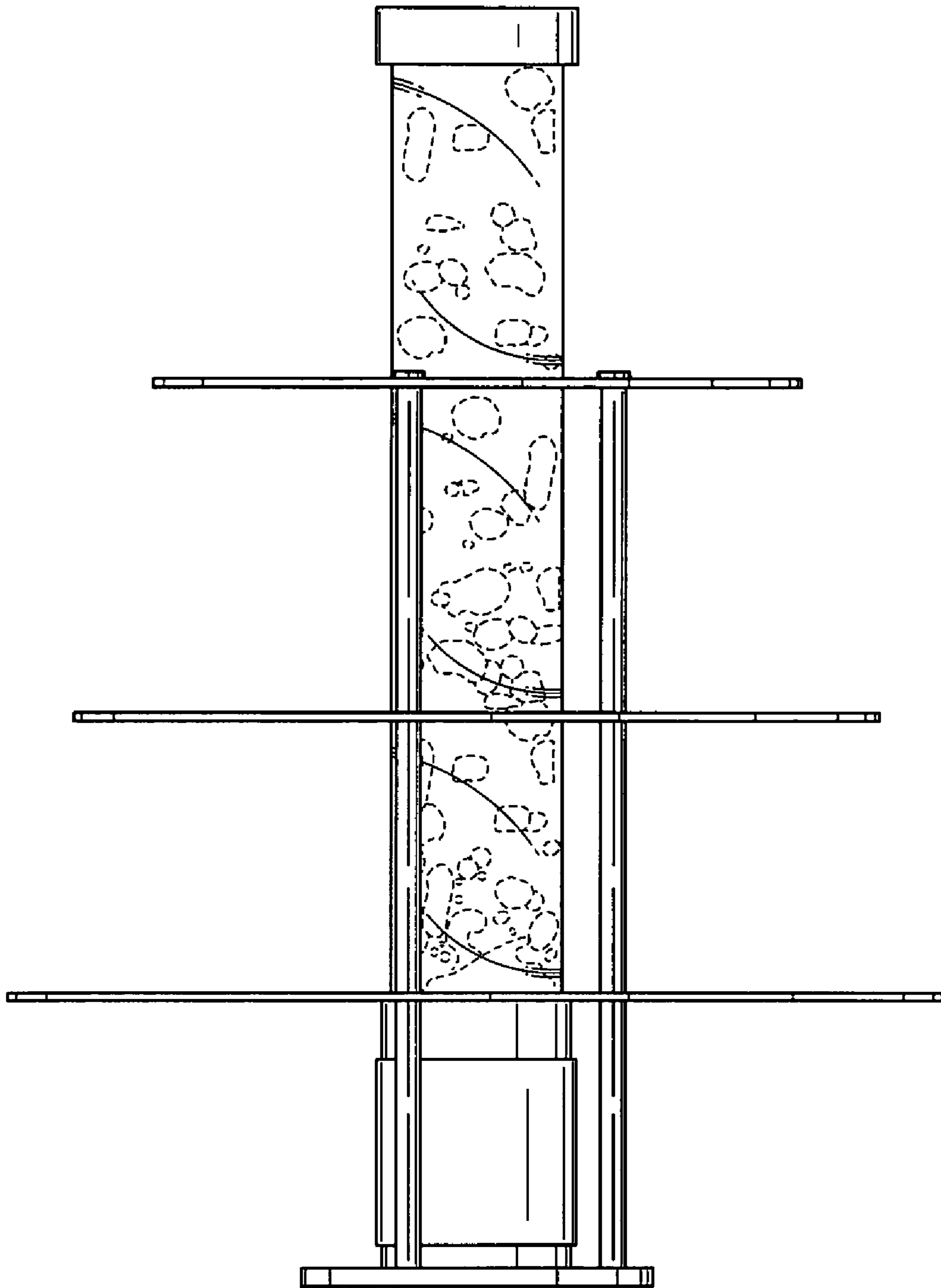


FIG. 3

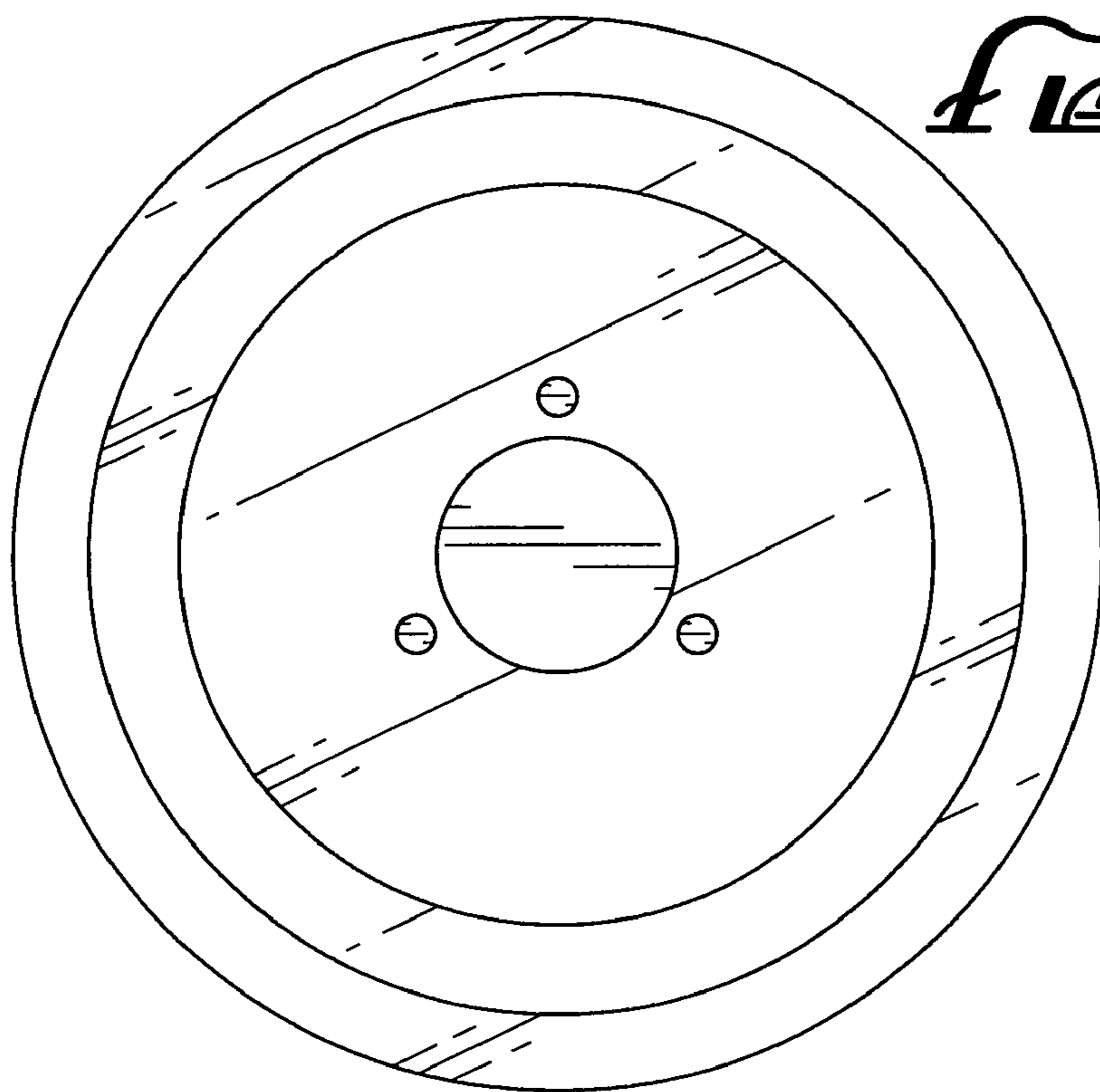


FIG. 4

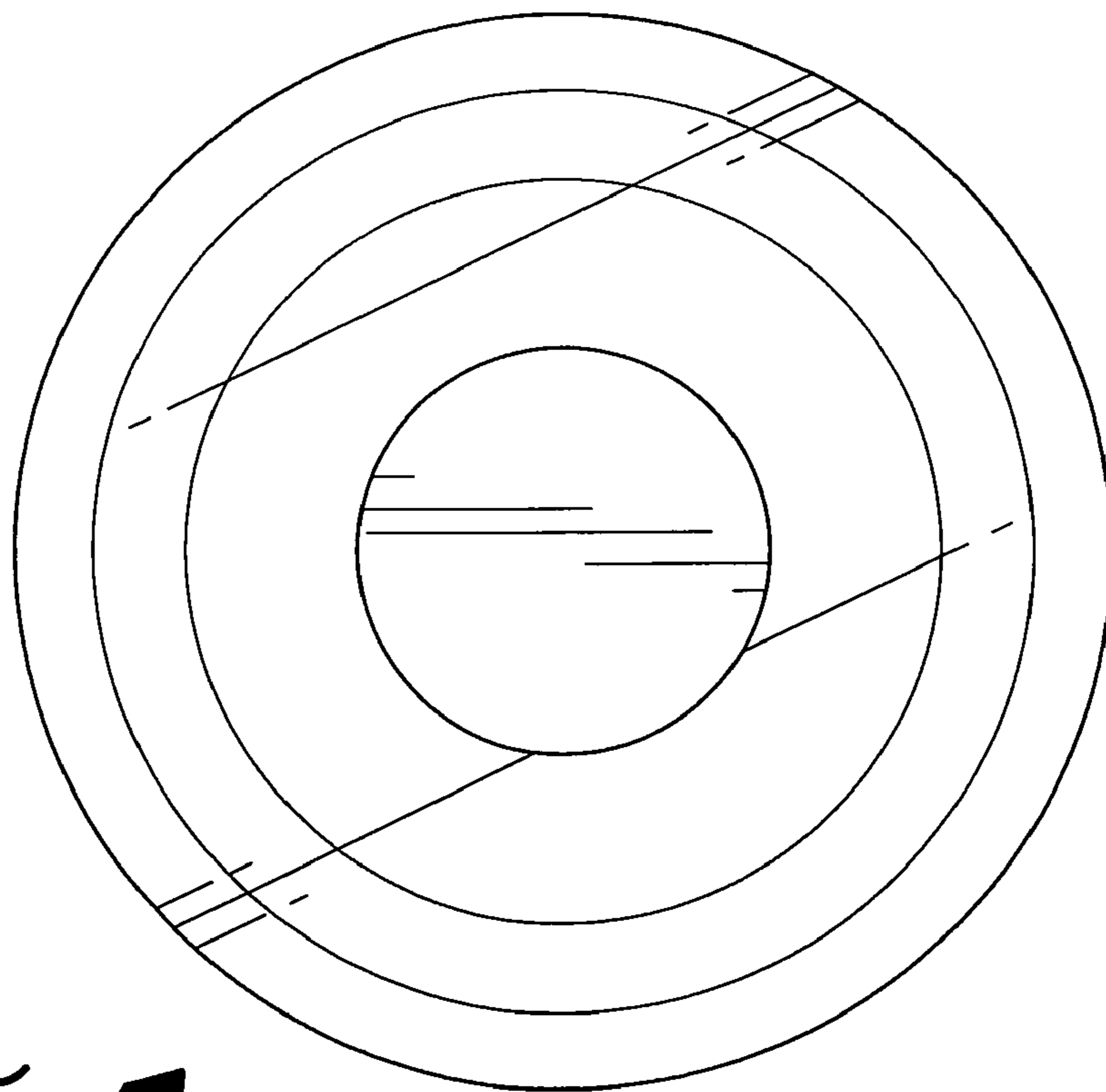


FIG. 5