



US00D581576S

(12) **United States Design Patent**
Montalbano et al.

(10) **Patent No.:** **US D581,576 S**

(45) **Date of Patent:** **** Nov. 25, 2008**

(54) **OVERHEAD READING LIGHT**

(75) Inventors: **Christopher Montalbano**, Huntington, NY (US); **Gregory Montalbano**, Huntington, NY (US); **Aaron Klein**, Brightwaters, NY (US)

(73) Assignee: **B/E Aerospace, Inc.**, Wellington, FL (US)

(**) Term: **14 Years**

(21) Appl. No.: **29/293,758**

(22) Filed: **Dec. 11, 2007**

(51) **LOC (8) Cl.** **26-03**

(52) **U.S. Cl.** **D26/89**; D26/28

(58) **Field of Classification Search** D26/28, D26/74, 88, 89, 124, 139; 362/147, 483, 362/488, 490

See application file for complete search history.

(56) **References Cited**

U.S. PATENT DOCUMENTS

D110,725 S * 8/1938 McFadden D26/88
D190,827 S * 7/1961 Phillips D26/89
D341,441 S * 11/1993 Shapiro D26/88

D438,328 S * 2/2001 Pan D26/88
D516,235 S * 2/2006 Rashidi D26/74
7,121,696 B2 * 10/2006 Whitfield, Sr. 362/147
D544,629 S * 6/2007 Benensohn D26/88
D546,485 S * 7/2007 Bachynsky et al. D26/28
2005/0174791 A1 * 8/2005 Bynum 362/490

* cited by examiner

Primary Examiner—Clare E Heflin

(74) *Attorney, Agent, or Firm*—Drinker Biddle & Reath LLP

(57) **CLAIM**

We claim the ornamental design for an overhead reading light, as shown and described.

DESCRIPTION

FIG. 1 is a front perspective view of an overhead reading light;

FIG. 2 is a front view of the design of FIG. 1;

FIG. 3 is a rear view of the design of FIG. 1;

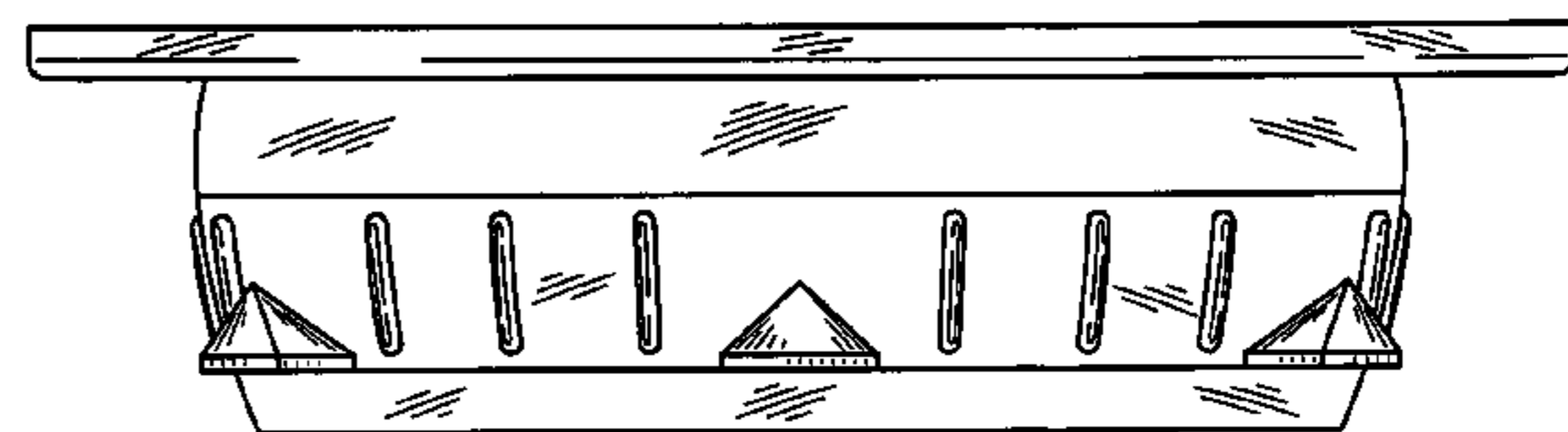
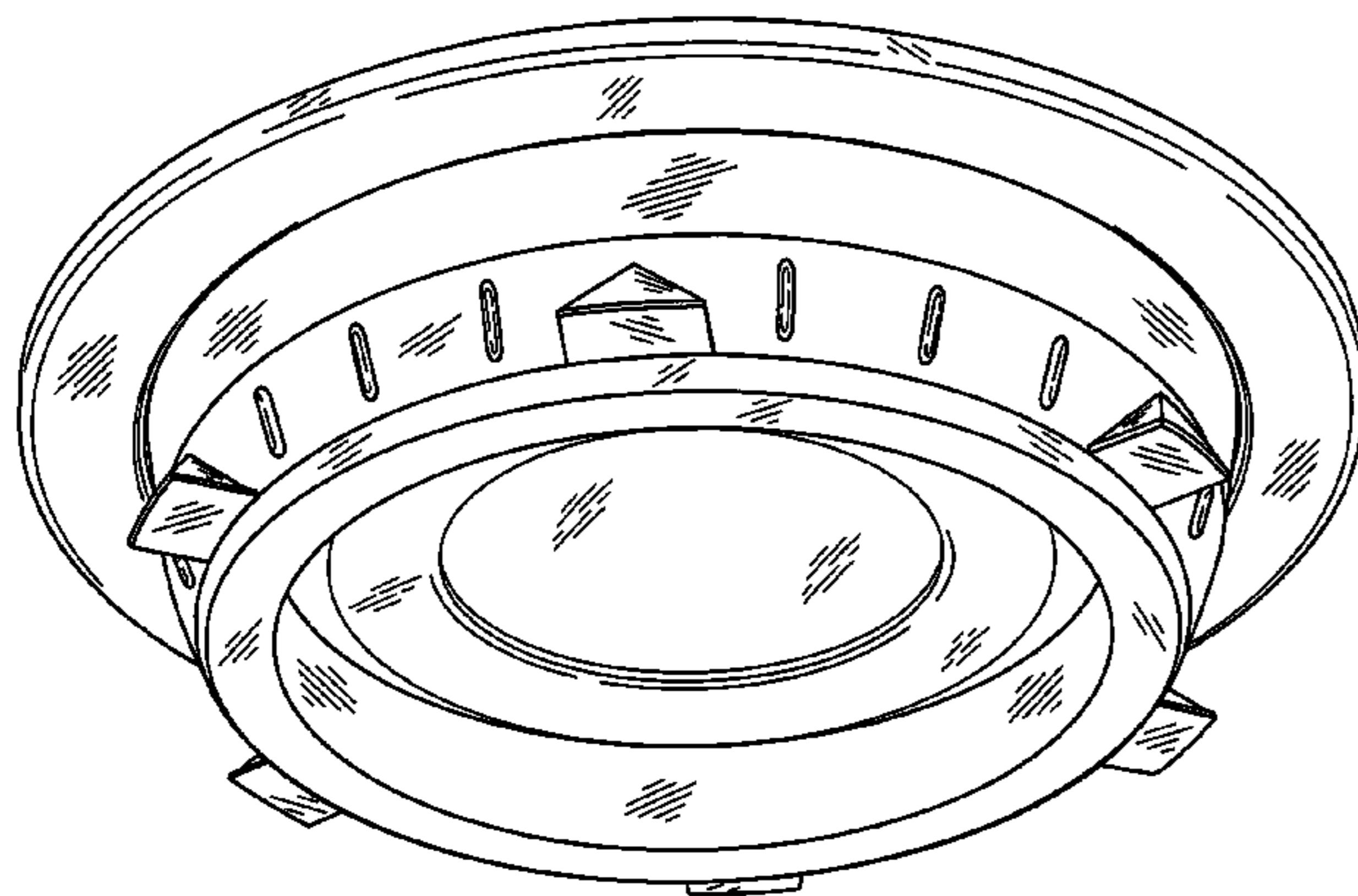
FIG. 4 is a left side view of the design of FIG. 1;

FIG. 5 is a right side view of the design of FIG. 1;

FIG. 6 is a top view of the design of FIG. 1; and,

FIG. 7 is a bottom view of the design of FIG. 1.

1 Claim, 4 Drawing Sheets



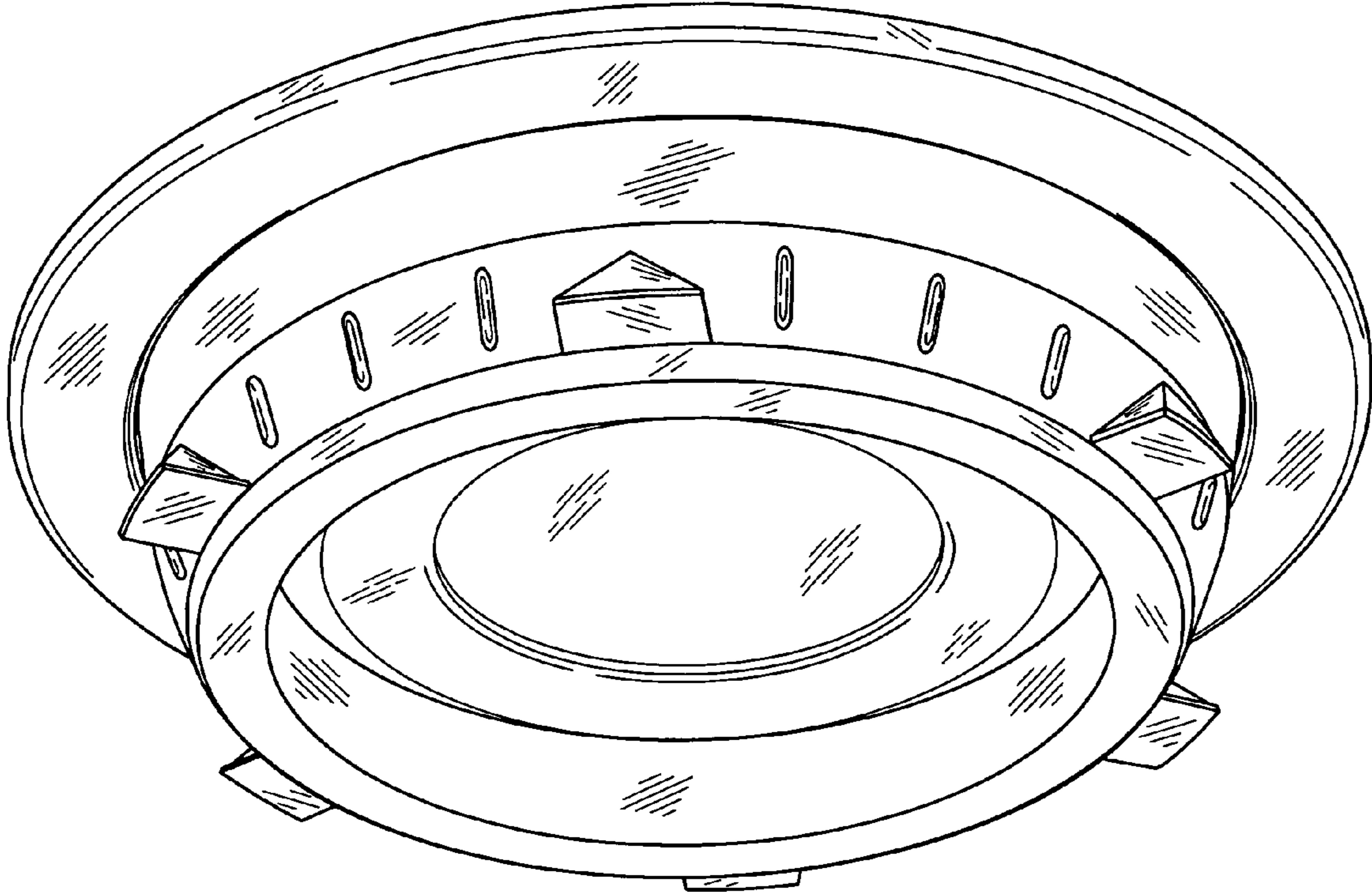


FIG. 1

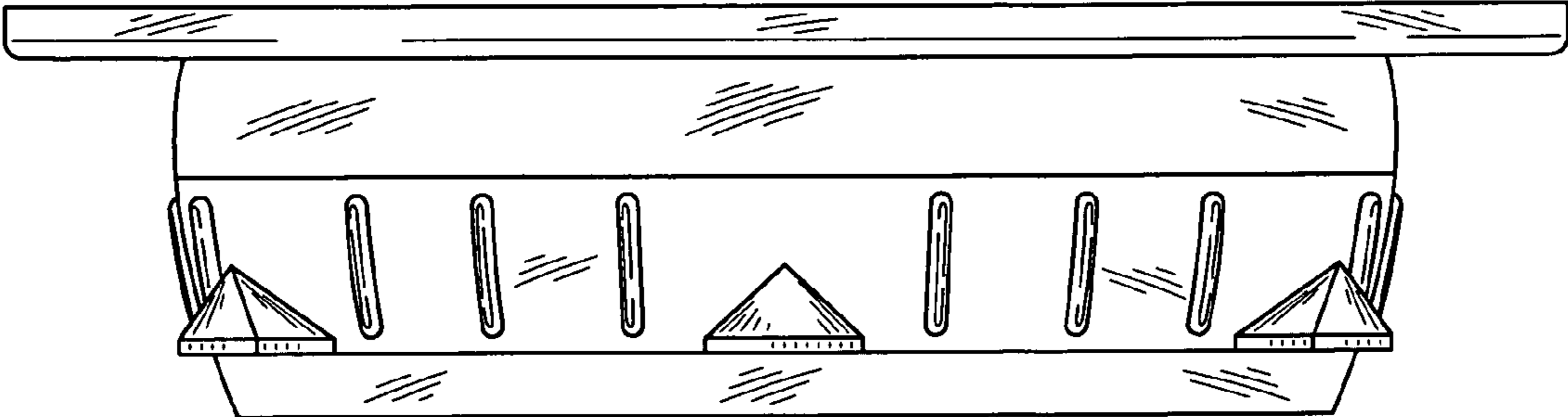


FIG. 2

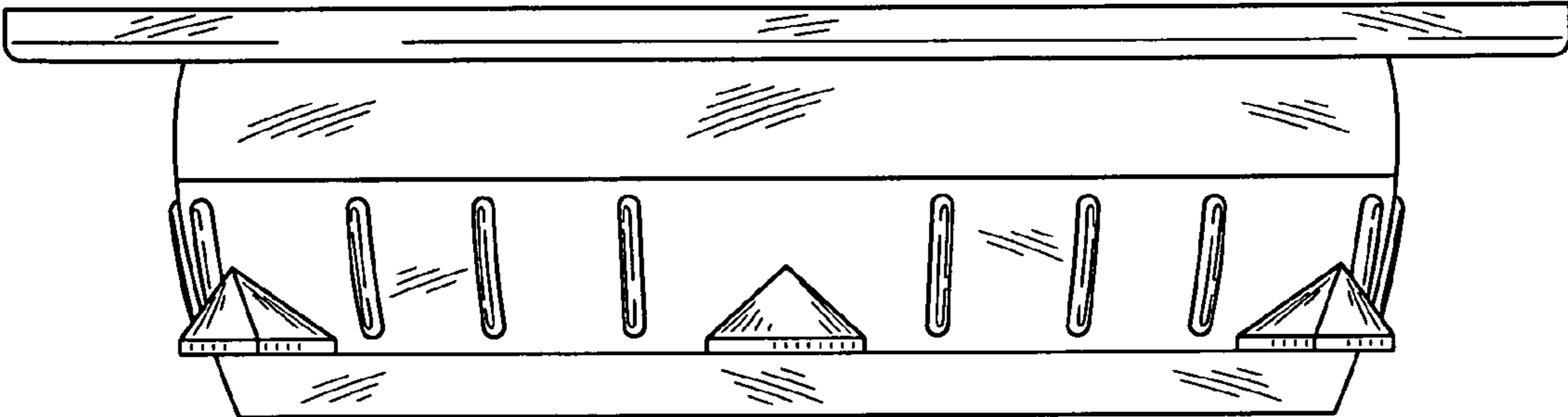


FIG. 3

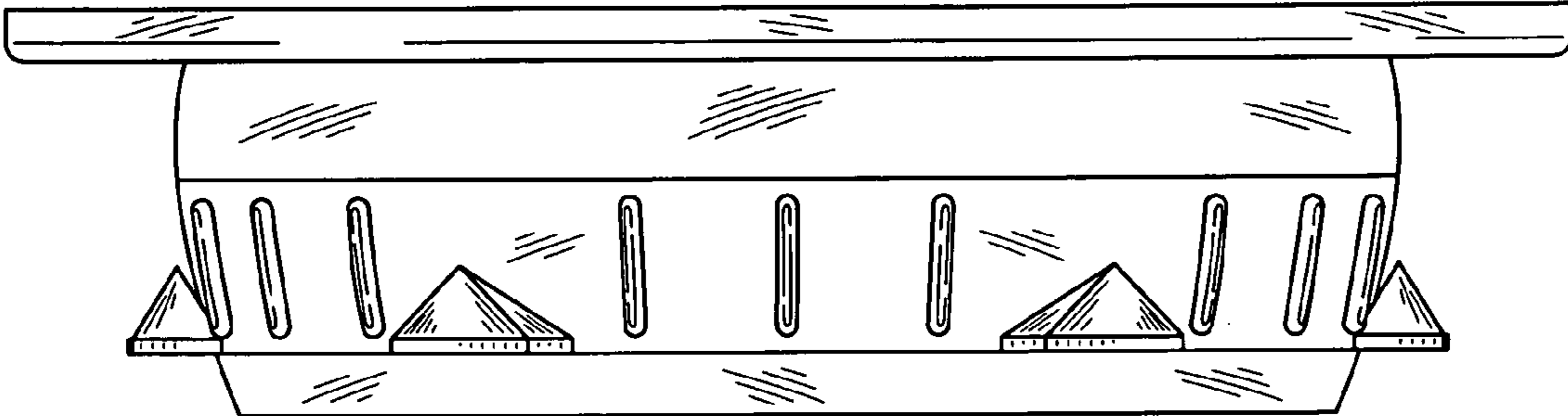


FIG. 4

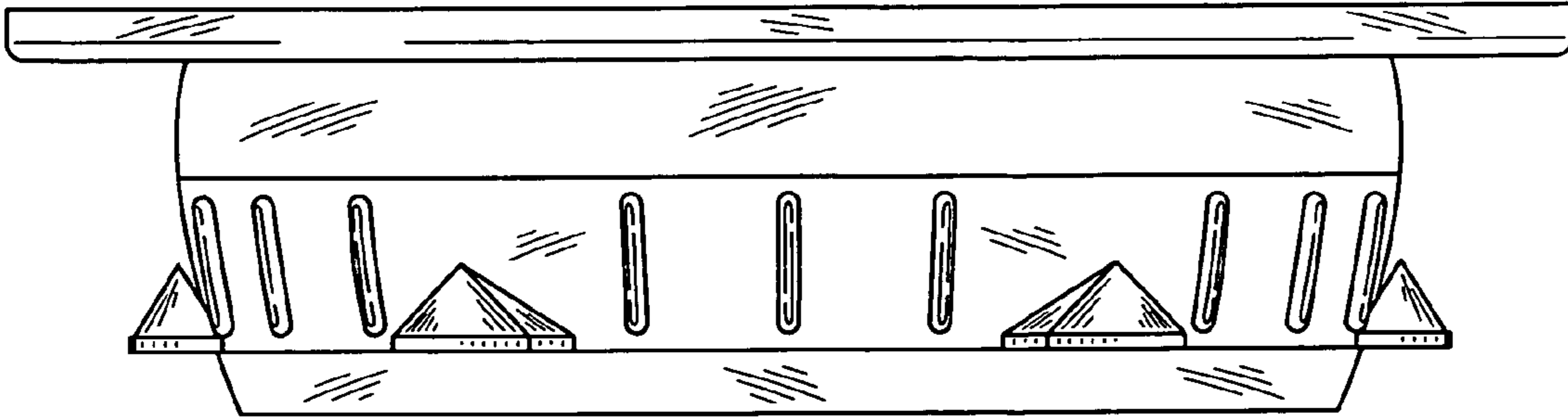


FIG. 5

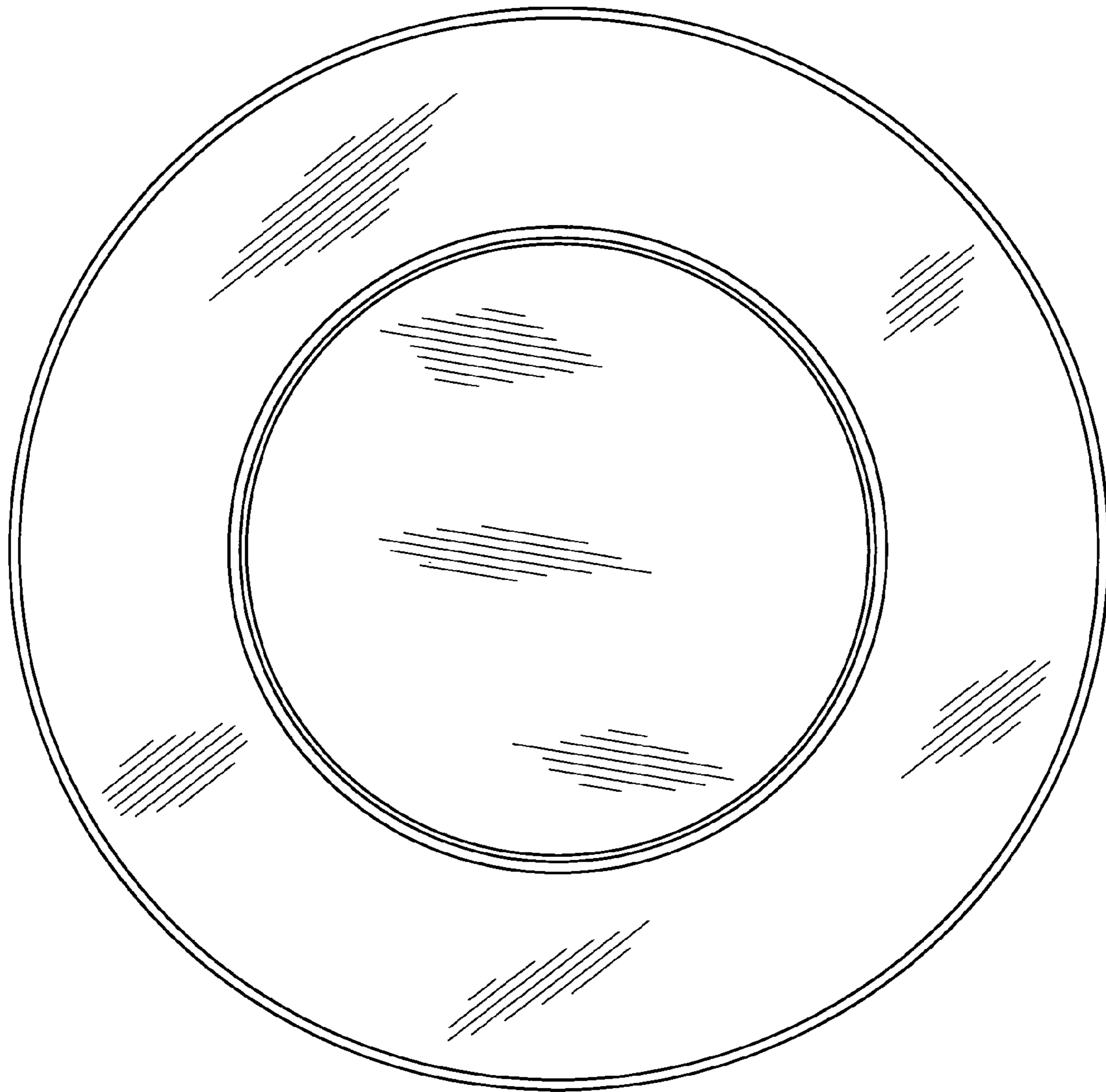


FIG. 6

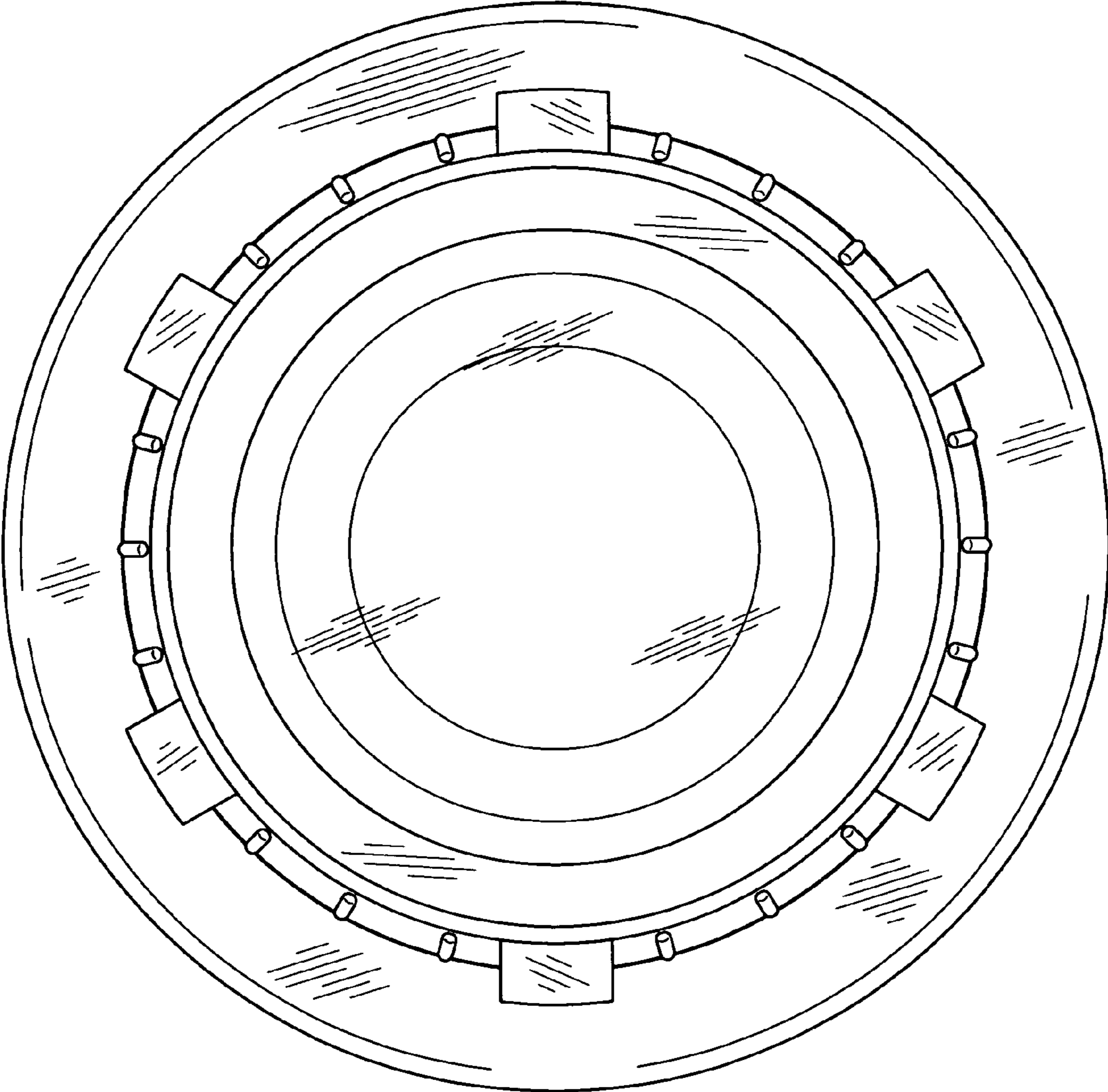


FIG. 7