



US00D581573S

(12) **United States Design Patent**
Acedo et al.

(10) **Patent No.:** **US D581,573 S**
(45) **Date of Patent:** **** Nov. 25, 2008**

(54) **LANTERN LUMINAIRE**

D557,851 S * 12/2007 Chen D26/67

(75) Inventors: **Carol L. Acedo**, Fort Worth, TX (US);
Wayne W. Compton, Chino Hills, CA
(US); **Michael S. Neuer**, Covina, CA
(US)

* cited by examiner

Primary Examiner—Clare E Heflin
(74) *Attorney, Agent, or Firm*—Kevin M. Barner; Mark S.
Bicks; Alfred N. Goodman

(73) Assignee: **Hubbell Incorporated**, Orange, CT
(US)

(57) **CLAIM**

(**) Term: **14 Years**

The ornamental design for the lantern luminaire, as shown
and described.

(21) Appl. No.: **29/300,490**

DESCRIPTION

(22) Filed: **Apr. 1, 2008**

(51) **LOC (8) Cl.** **26-05**

(52) **U.S. Cl.** **D26/67; D26/85**

(58) **Field of Classification Search** D26/67-71,
D26/85, 87, 92; 362/147, 152, 183, 414,
362/431, 545

FIG. 1 is a top plan view of first, second and third embodi-
ments of the claimed design;

FIG. 2 is a front elevational view of the first embodiment of
the claimed design, the rear, left and right side elevational
views being the same as the front elevational view;

FIG. 3 is a bottom plan view of the first embodiment of the
claimed design;

FIG. 4 is a front elevational view of the second embodiment of
the claimed design, the rear, left and right side elevational
views being the same as the front elevational view;

FIG. 5 is a bottom plan view of the second embodiment of the
claimed design;

FIG. 6 is a front elevational view of the third embodiment of
the claimed design, the rear, left and right side elevational
views being the same as the front elevational view; and,

FIG. 7 is a bottom plan view of the third embodiment of the
claimed design.

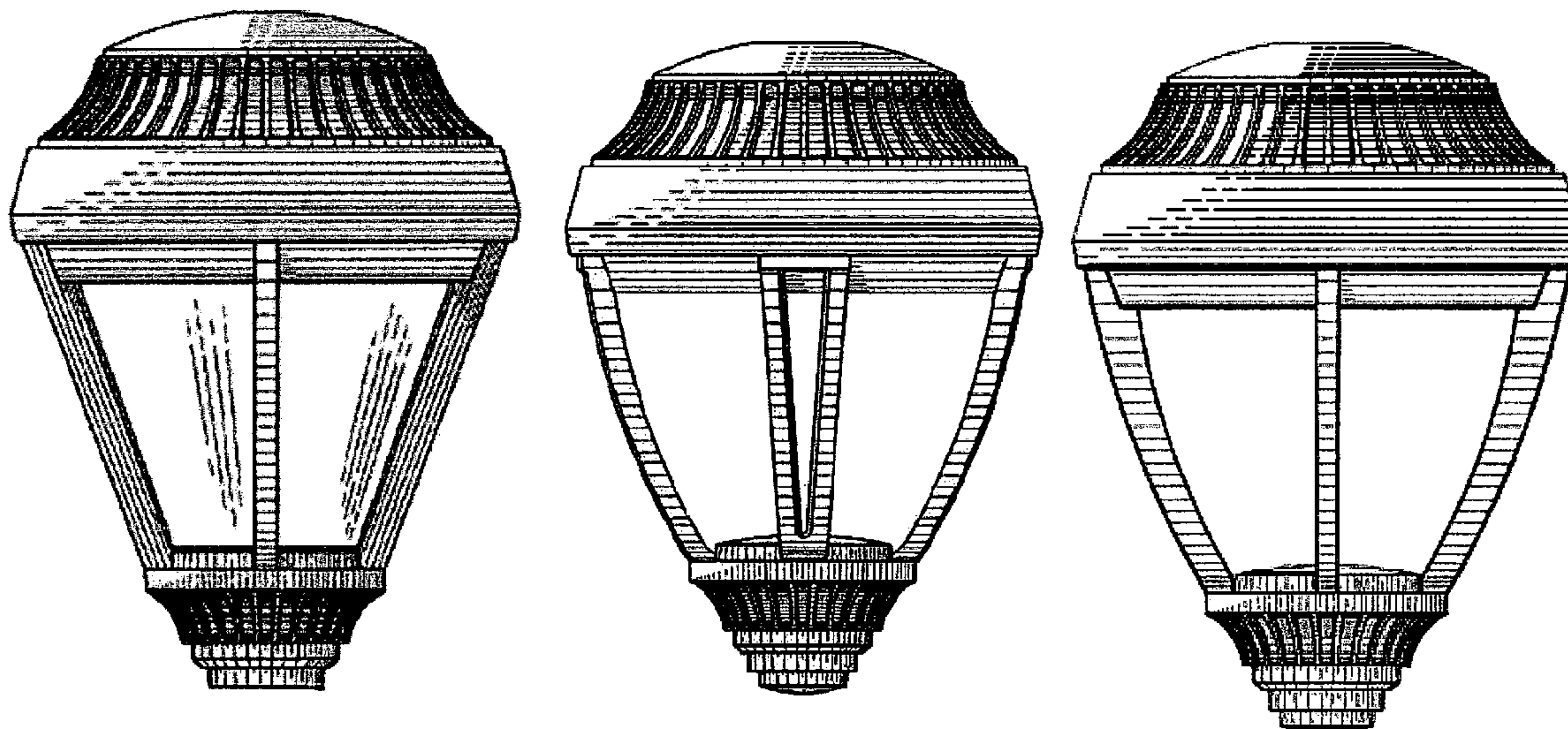
See application file for complete search history.

(56) **References Cited**

U.S. PATENT DOCUMENTS

D98,394 S *	1/1936	Gosling	D26/67
D100,811 S *	8/1936	Bick	D26/67
D316,457 S *	4/1991	De'Armond	D26/67
D343,243 S *	1/1994	Ewing et al.	D26/67
D444,584 S *	7/2001	Landefeld	D26/67
D505,509 S *	5/2005	Chen	D26/67
D508,581 S *	8/2005	Cheong et al.	D26/68
D515,231 S *	2/2006	Randazzo et al.	D26/67
D548,870 S *	8/2007	Richmond	D26/67
D553,779 S *	10/2007	Butler	D26/67

1 Claim, 4 Drawing Sheets



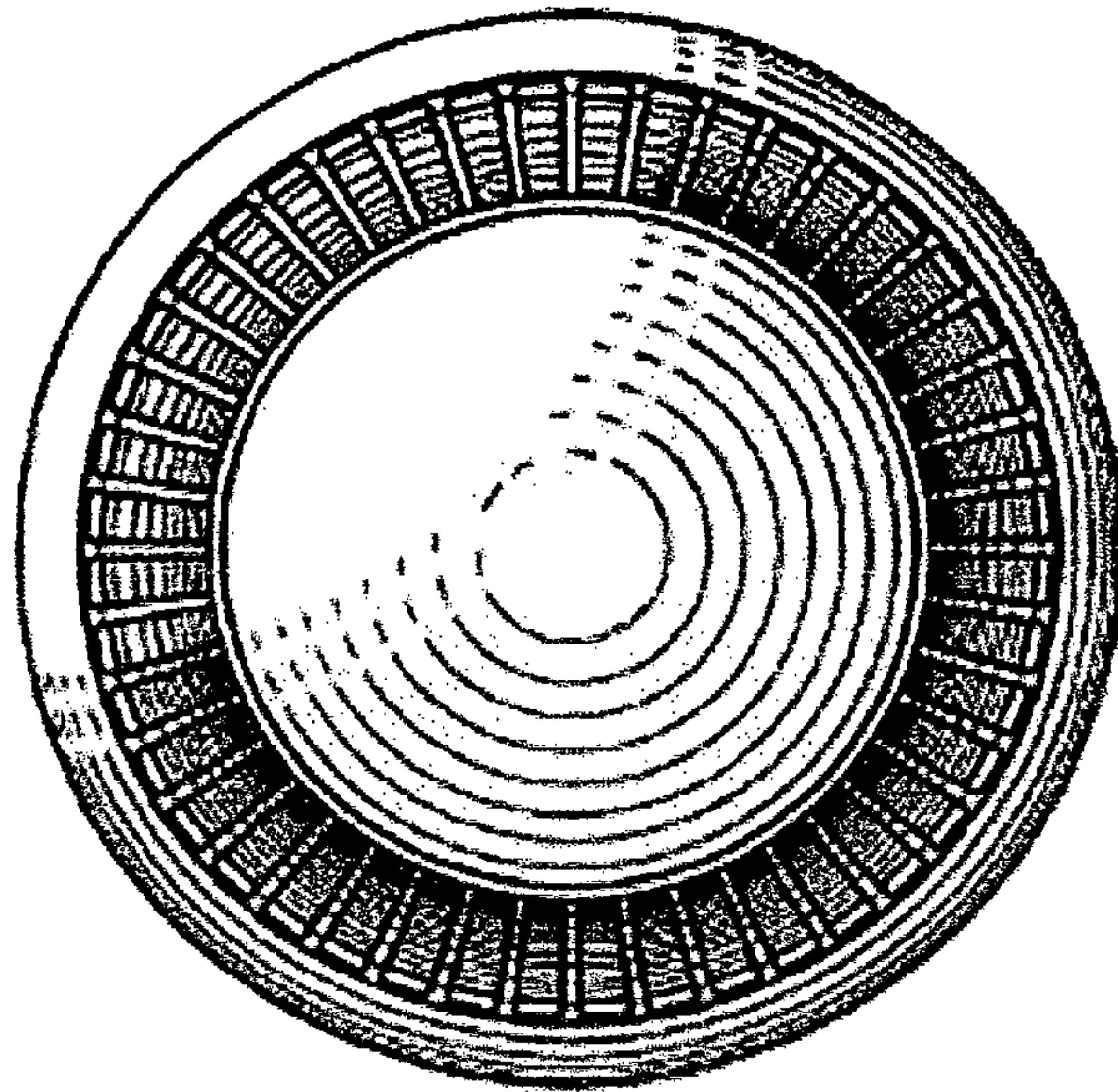


FIG. 1

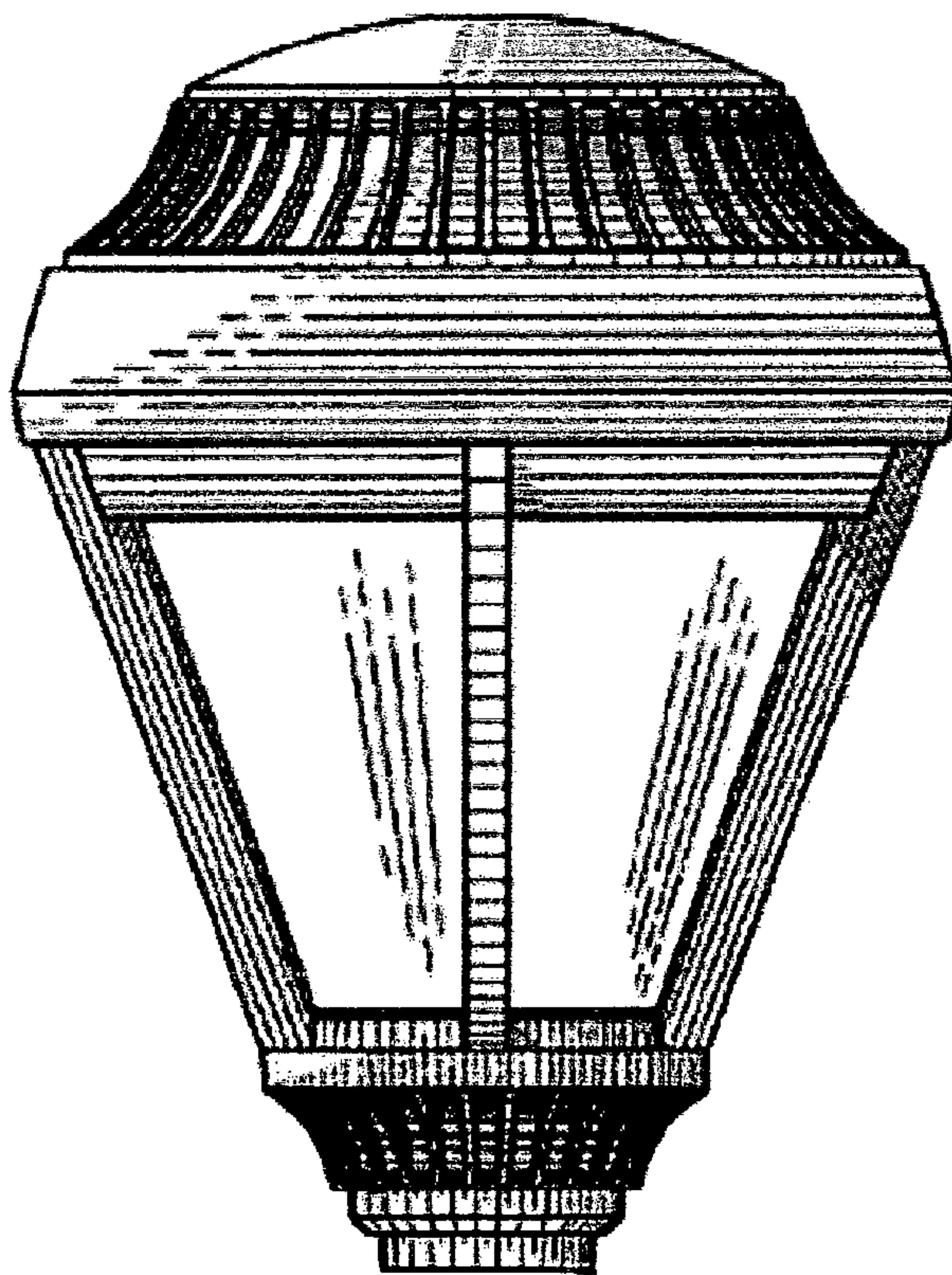


FIG. 2

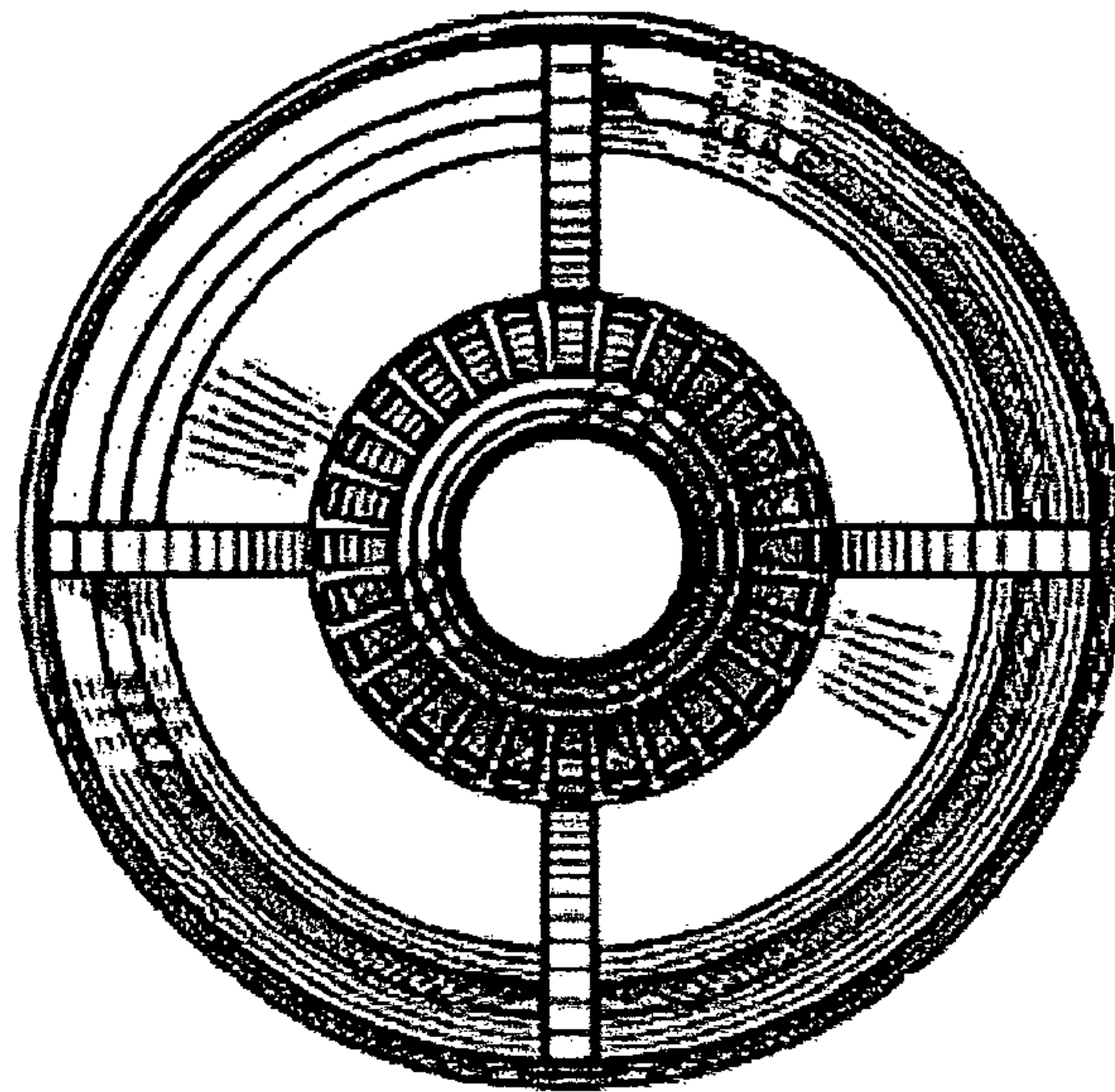


FIG.3

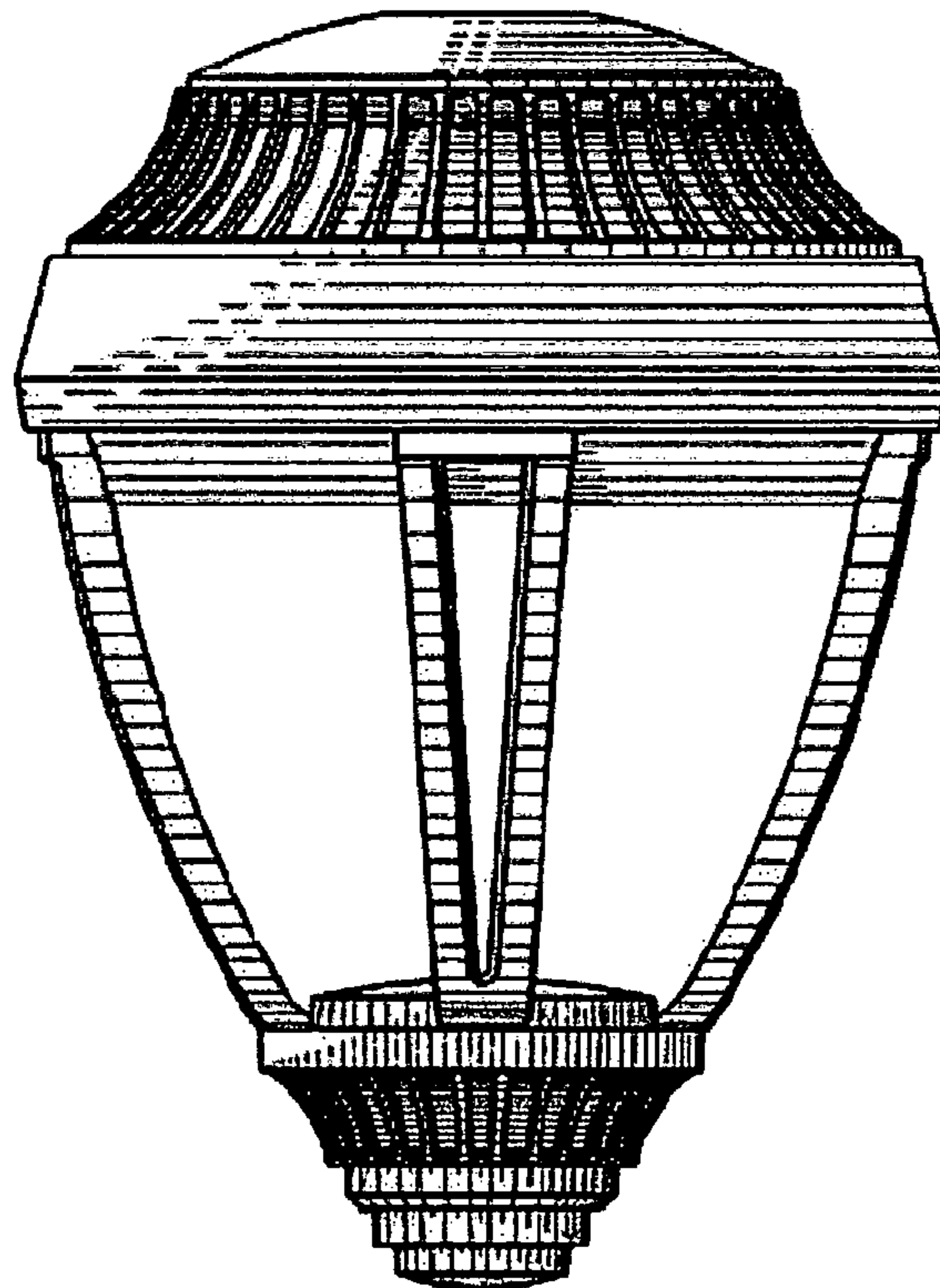


FIG.4

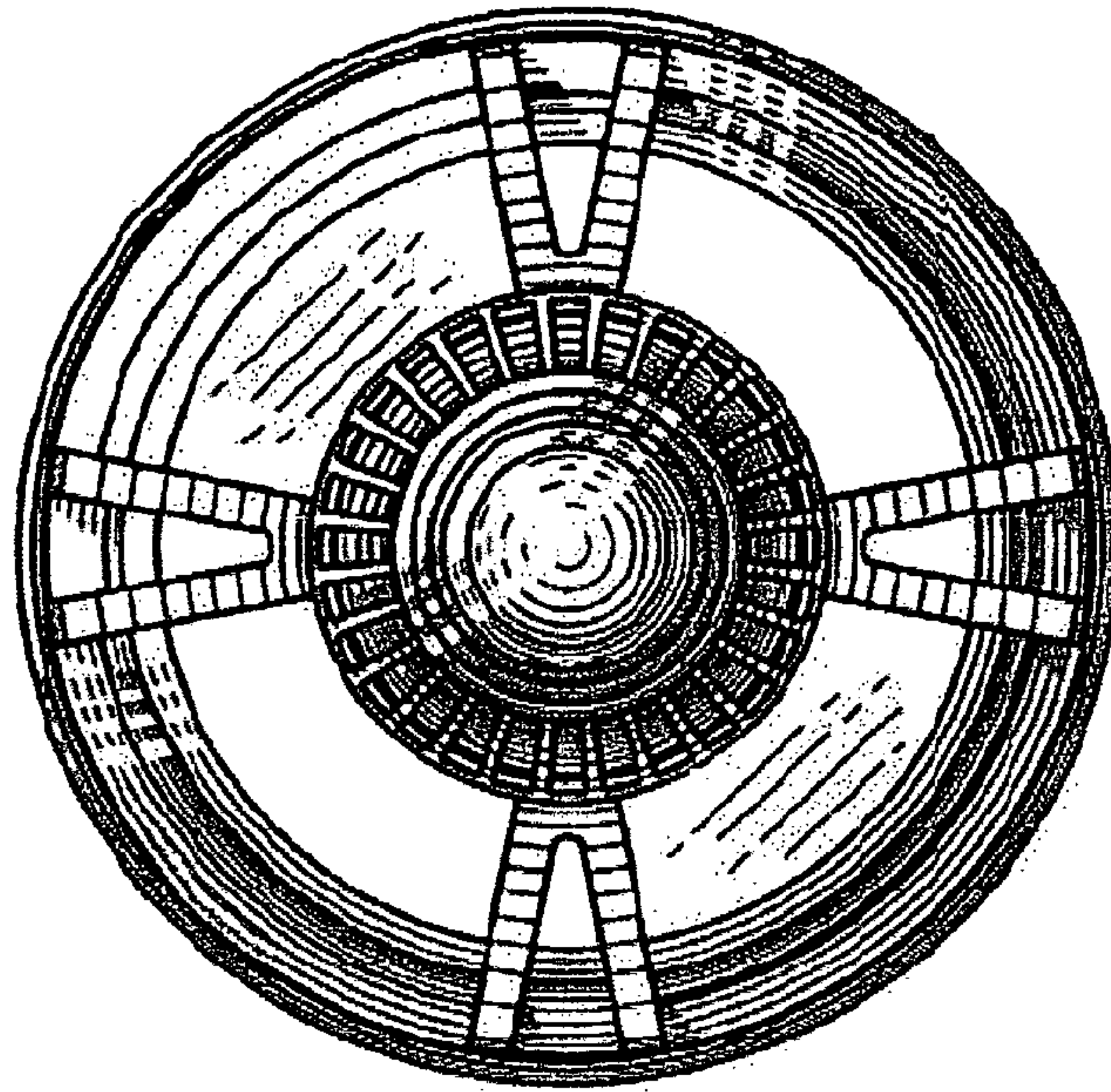


FIG. 5

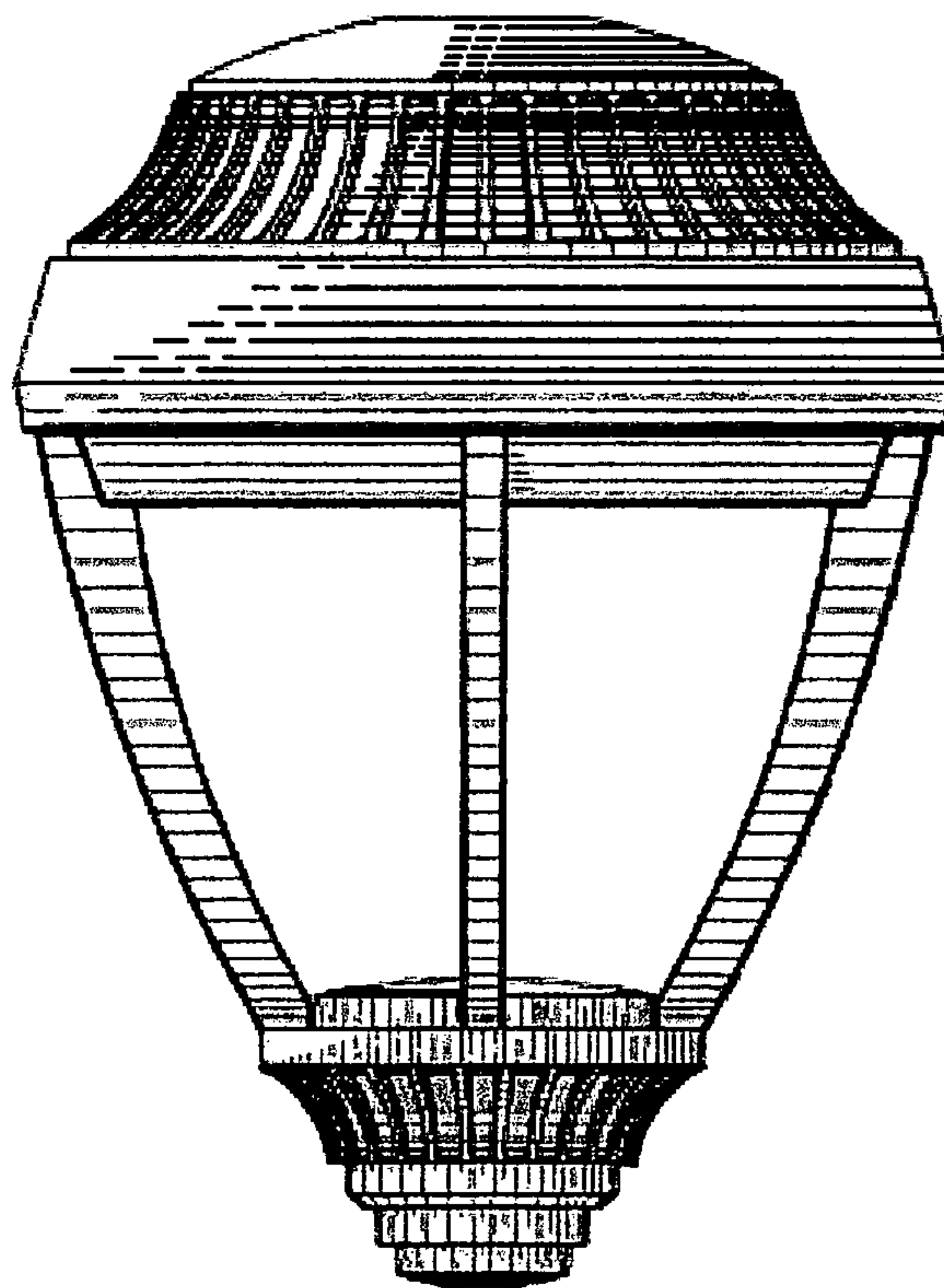


FIG. 6

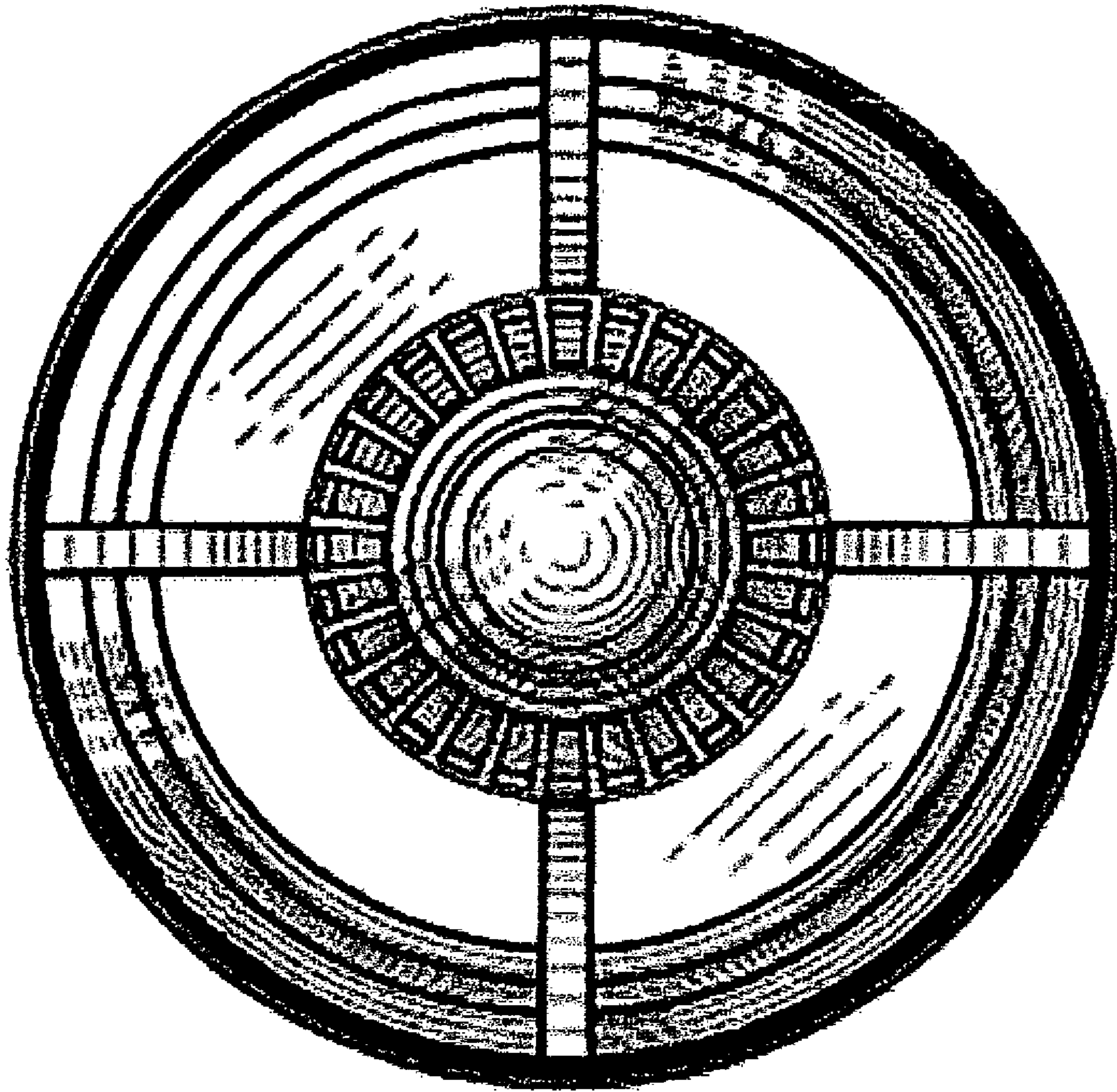


FIG. 7