



US00D581572S

(12) **United States Design Patent**  
**Levine**

(10) **Patent No.:** **US D581,572 S**

(45) **Date of Patent:** **\*\* Nov. 25, 2008**

(54) **LIGHTING DEVICE**

(76) Inventor: **Jonathan E. Levine**, 419 Park Ave.  
South, Suite 505, New York, NY (US)  
10016

(\*\*) Term: **14 Years**

(21) Appl. No.: **29/322,506**

(22) Filed: **Aug. 6, 2008**

(51) **LOC (8) Cl.** ..... **26-05**

(52) **U.S. Cl.** ..... **D26/63**

(58) **Field of Classification Search** ..... D26/43,  
D26/51, 56, 60-66, 72, 93, 107, 118, 128;  
D24/210; 362/147, 191, 230, 231, 232, 238,  
362/239, 250, 254, 255, 265, 269, 270, 275,  
362/277, 278, 280-288, 306, 310, 311, 362,  
362/396, 404, 410-414, 418-430, 449, 640,  
362/647, 648, 652, 653, 655, 804, 99; 439/122  
See application file for complete search history.

(56) **References Cited**

**U.S. PATENT DOCUMENTS**

2,790,894 A	4/1957	Zingone	
D222,500 S	10/1971	Gugelot	
D240,320 S	6/1976	Anderson	
D270,483 S *	9/1983	Gardner et al. ....	D26/63
4,751,627 A	6/1988	Usher	
D346,459 S	4/1994	King	
D371,857 S	7/1996	Gismondi	
D382,663 S *	8/1997	Barry .....	D26/72
5,769,529 A	6/1998	Weinstock et al.	
D412,040 S	7/1999	Hudak et al.	
D443,713 S	6/2001	Benensohn	
D470,262 S	2/2003	Yiu	
D476,106 S	6/2003	Kim	
6,588,920 B2	7/2003	Agro	
6,641,283 B1	11/2003	Bohler	
D484,270 S	12/2003	Yiu	
6,726,502 B1	4/2004	Hayes	
D490,925 S	6/2004	Wilmotte	
6,877,875 B2	4/2005	Yu et al.	
D506,560 S	6/2005	Oas	
D507,373 S	7/2005	Kim	
D509,016 S	8/2005	Benghozi	
D509,617 S	9/2005	Benghozi	

D512,170 S *	11/2005	Canino et al. ....	D26/61
6,979,107 B1	12/2005	Benensohn	
D519,870 S *	5/2006	Pritchard .....	D10/109
D535,262 S	1/2007	Saito et al.	
D535,740 S	1/2007	Brown et al.	
D544,117 S	6/2007	Coushaine	
D544,618 S	6/2007	Coushaine	
D544,988 S	6/2007	Benensohn	
D551,795 S	9/2007	Compton et al.	
D561,925 S	2/2008	Levine	
D563,013 S	2/2008	Levine	
D563,014 S	2/2008	Levine	
D563,582 S	3/2008	Levine	
D565,232 S	3/2008	Butler	
D567,987 S	4/2008	Khubani	
2006/0250789 A1	11/2006	Coushaine	

\* cited by examiner

*Primary Examiner*—Cathron C Brooks

*Assistant Examiner*—Barbara Fox

(74) *Attorney, Agent, or Firm*—Theodore W. Baker

(57) **CLAIM**

I claim the ornamental design for a lighting device, as shown and described.

**DESCRIPTION**

FIG. 1 is a perspective view of a lighting device showing my new design, in an aligned configuration, as viewed from the top and one side.

FIG. 2 is a bottom plan view of the lighting device of FIG. 1 in the aligned configuration.

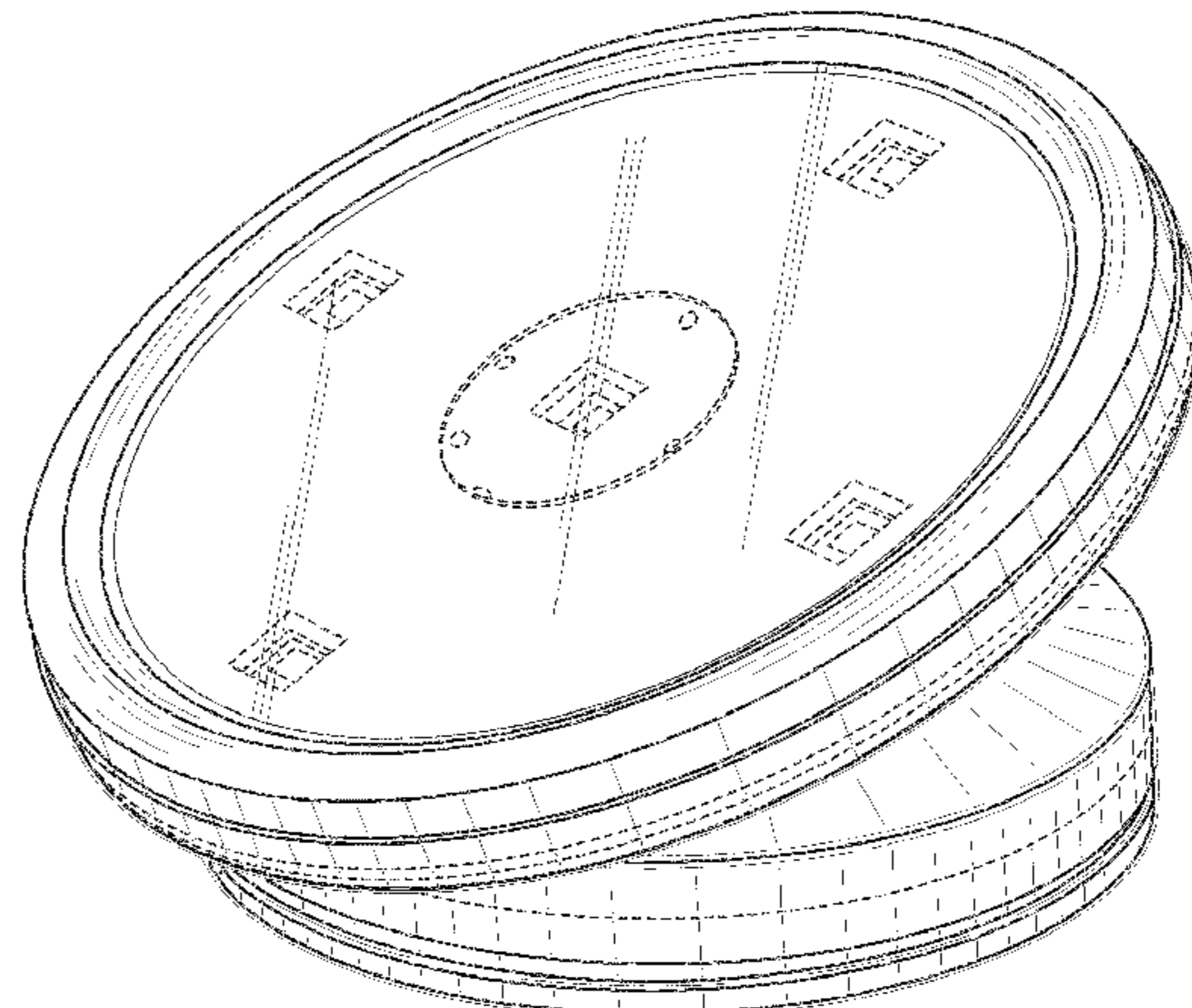
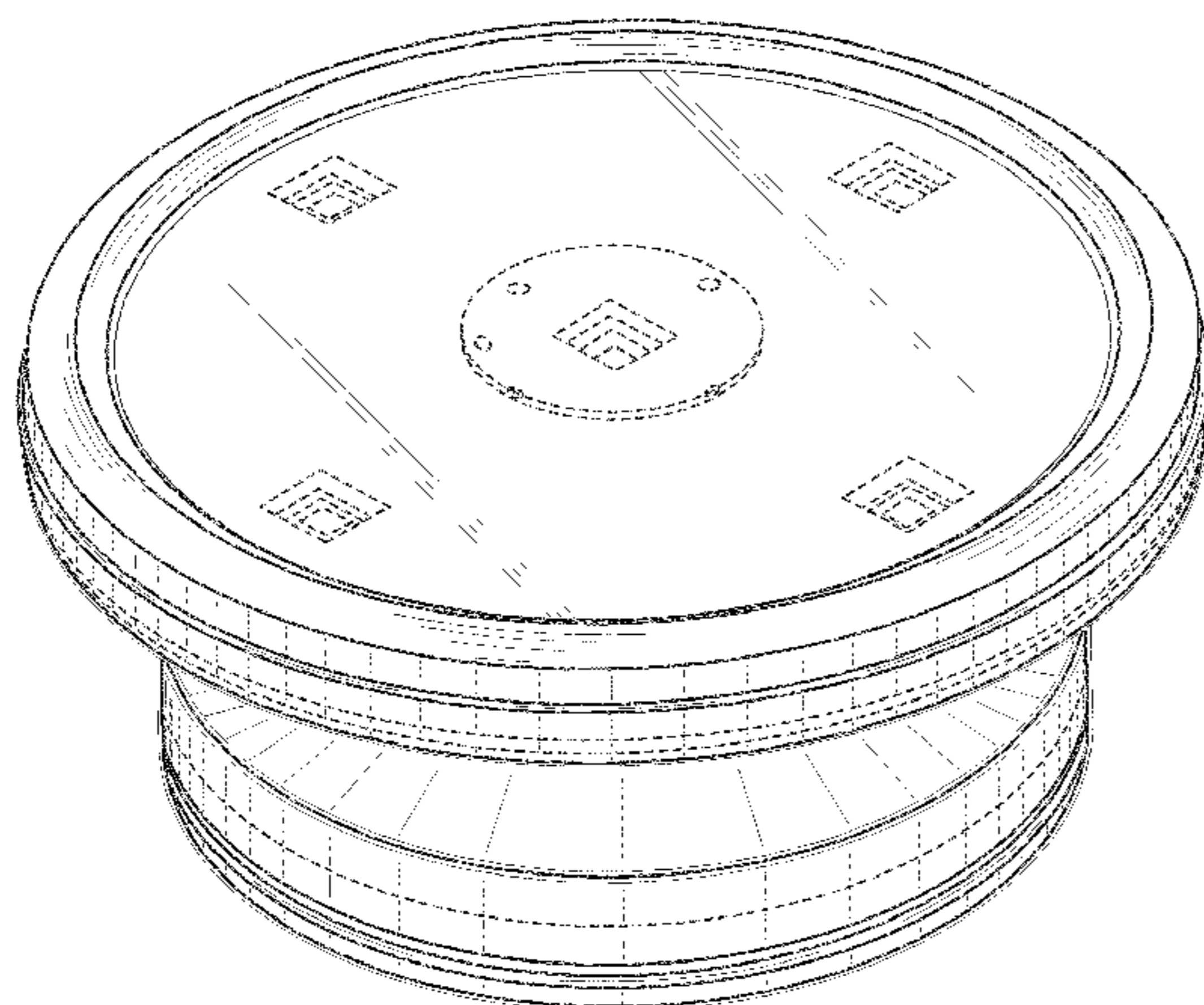
FIG. 3 is a top plan view of the lighting device of FIG. 1 in the aligned configuration.

FIG. 4 is a side elevation view of the lighting device of FIG. 1 in the aligned configuration, the other side elevation views being identical; and,

FIG. 5 is a perspective view of the lighting device of FIG. 1 in a tilted configuration, as viewed from the top and one side thereof.

The details shown in broken lines are for illustrative purposes only and form no part of the claimed design.

**1 Claim, 3 Drawing Sheets**



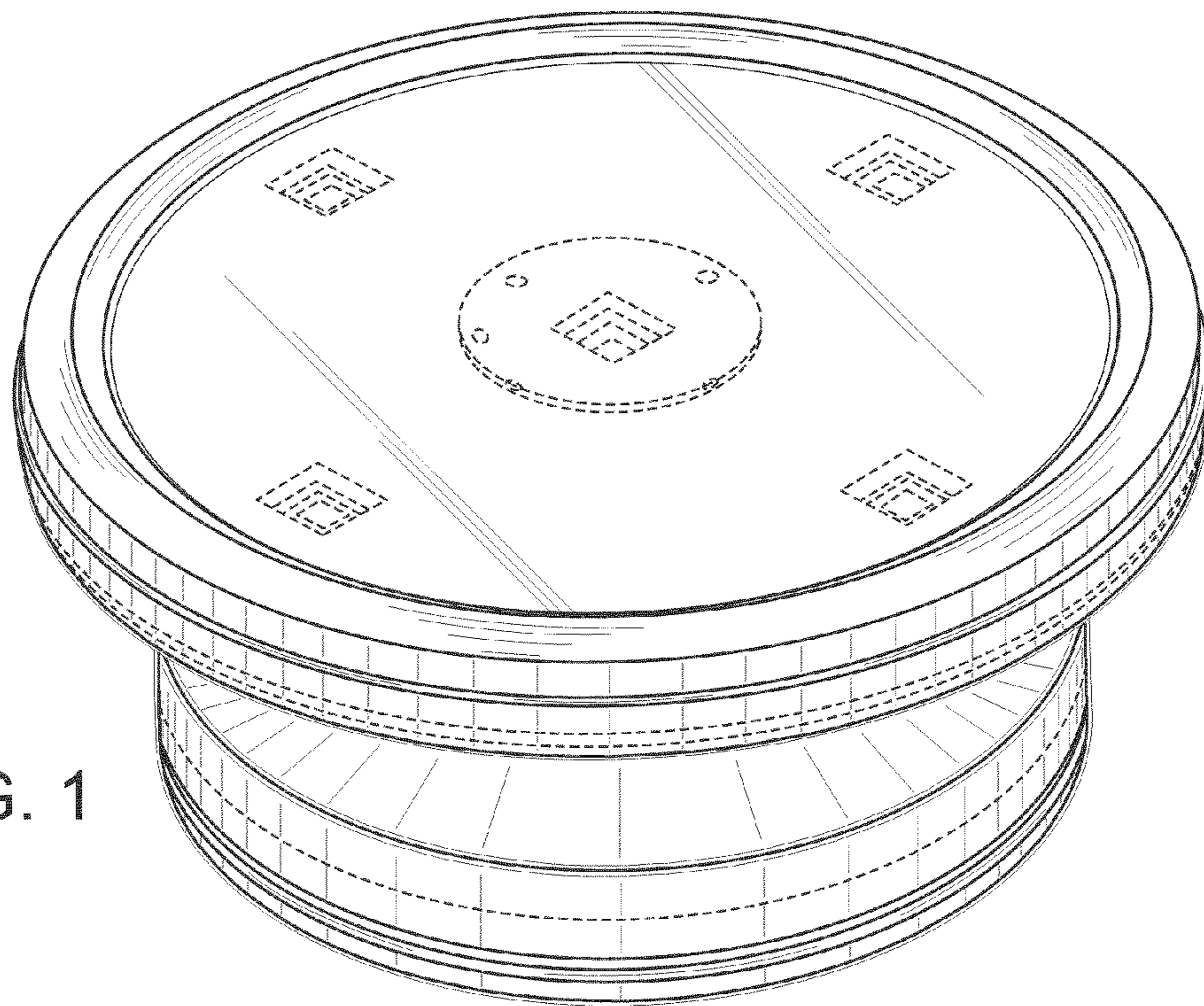


FIG. 1

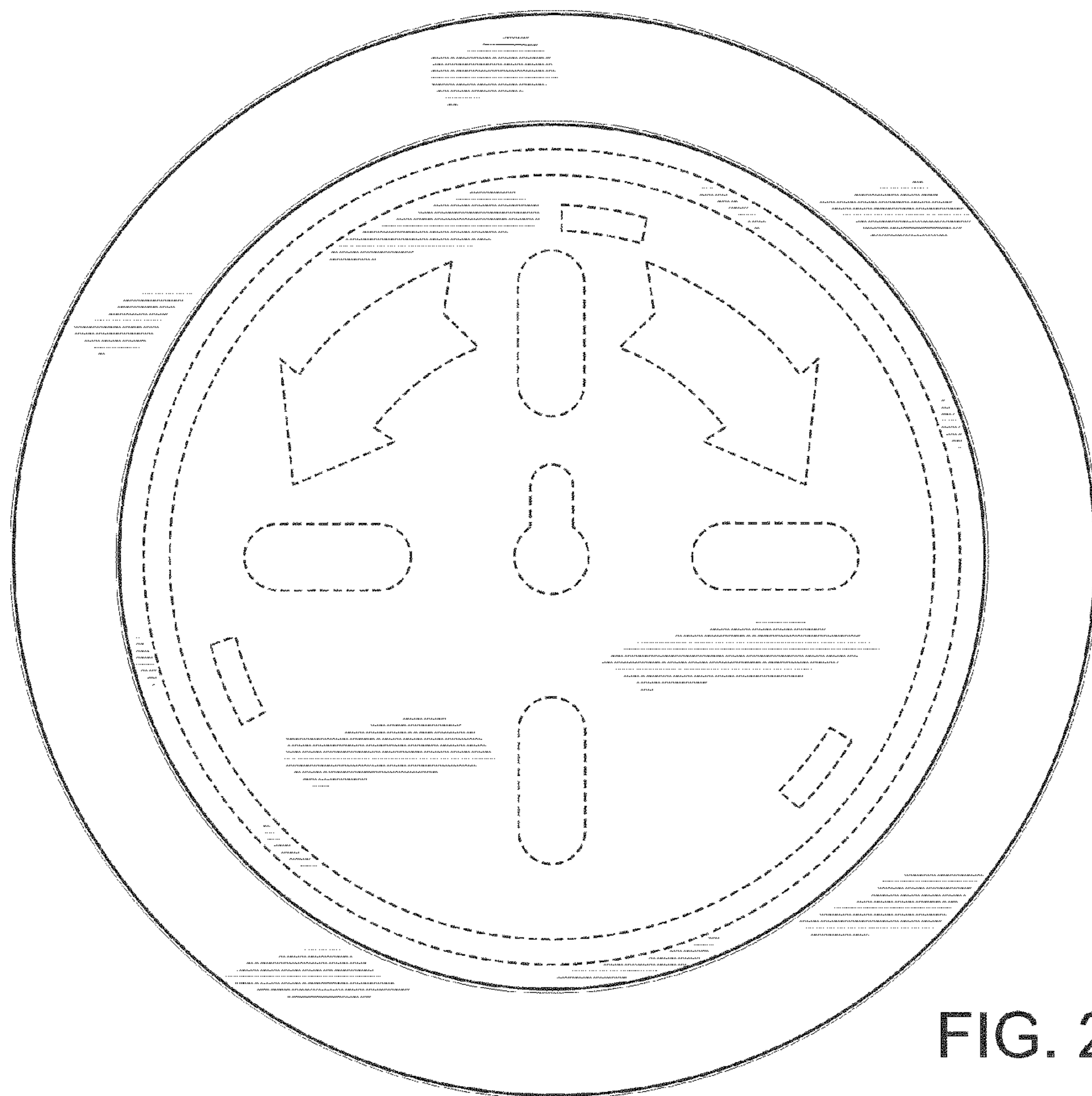


FIG. 2

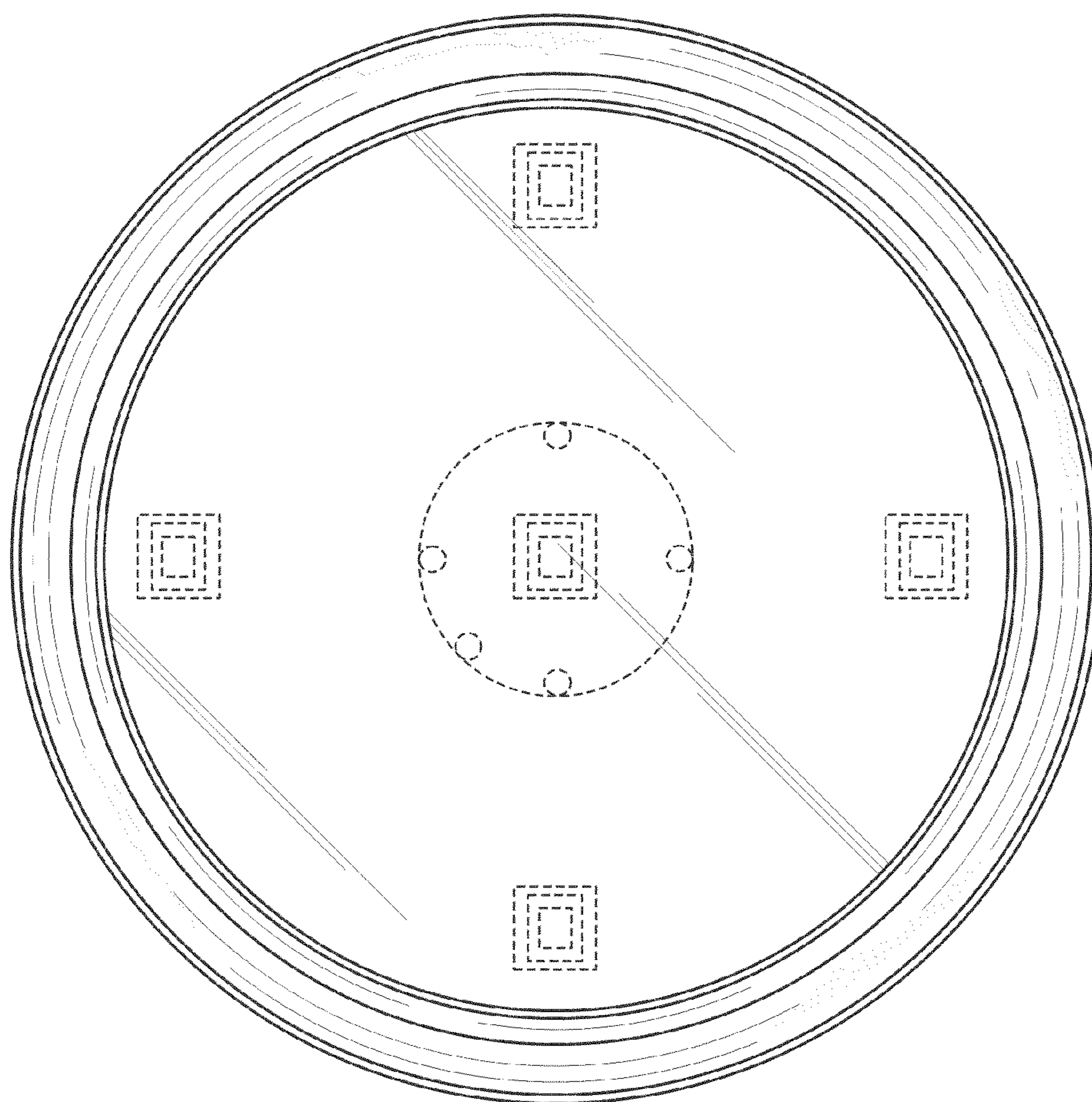


FIG. 3

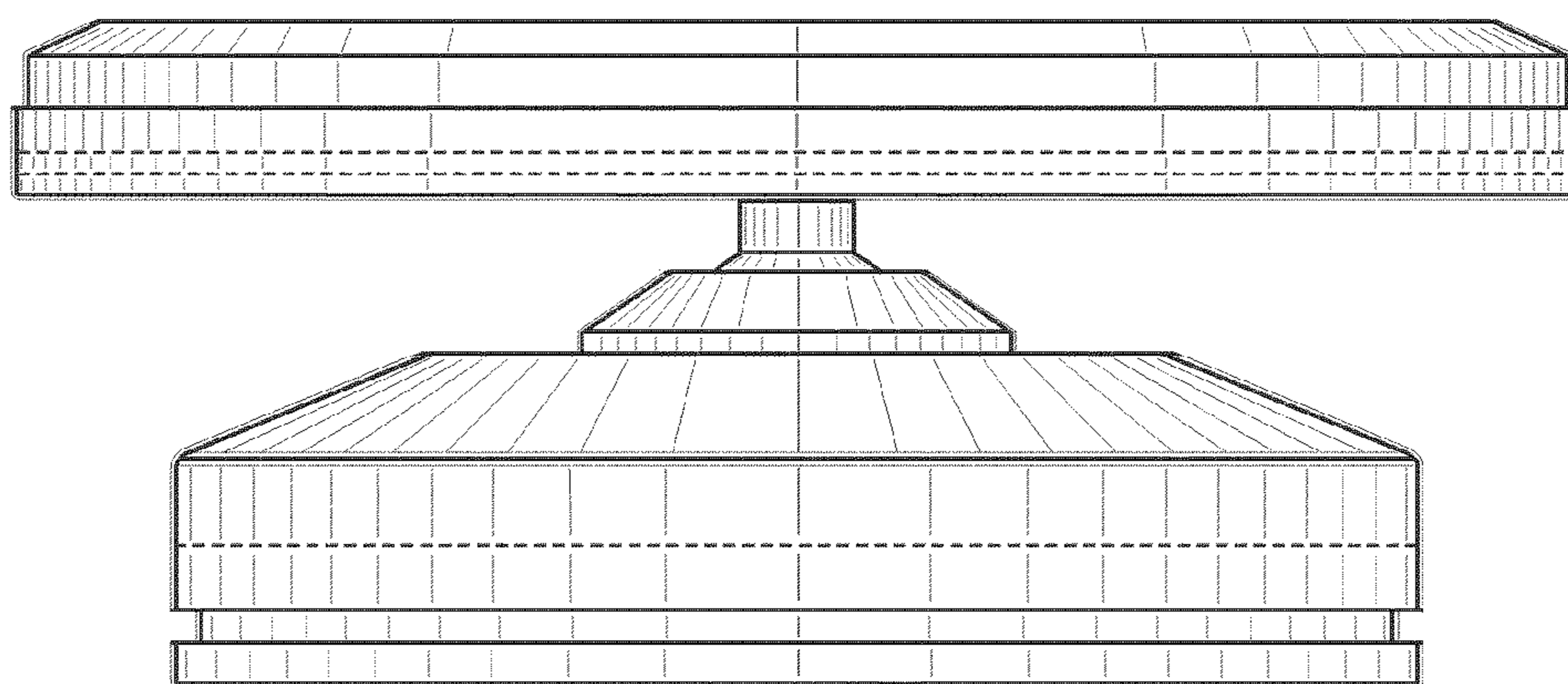


FIG. 4

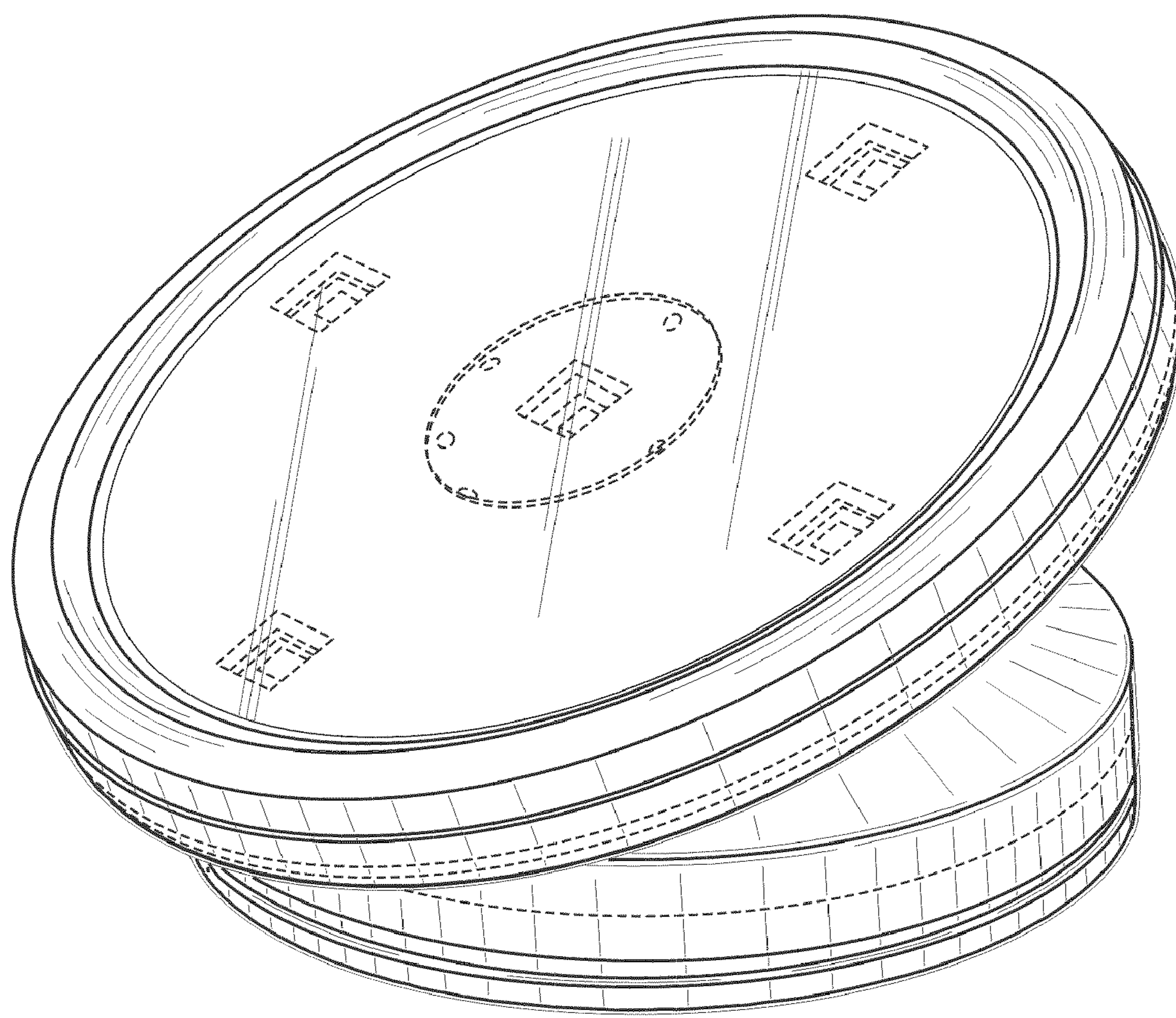


FIG. 5