



US00D581571S

(12) **United States Design Patent**
Levine

(10) **Patent No.:** **US D581,571 S**
(45) **Date of Patent:** **** Nov. 25, 2008**

(54) **LIGHTING DEVICE**

(76) Inventor: **Jonathan E. Levine**, 419 Park Ave.
South, Suite 505, New York, NY (US)
10016

(**) Term: **14 Years**

(21) Appl. No.: **29/318,669**

(22) Filed: **May 24, 2008**

(51) **LOC (8) Cl.** **26-05**

(52) **U.S. Cl.** **D26/63**

(58) **Field of Classification Search** D26/24,
D26/37, 43, 44, 51, 56, 60-66, 71, 72, 85,
D26/93, 107, 118, 138; 362/410, 413, 414,
362/419, 427, 285, 287, 282, 277, 275, 274,
362/271, 270, 269, 431, 401, 402, 251; D13/110,
D13/133, 139.2; D16/135; D10/106
See application file for complete search history.

(56) **References Cited**

U.S. PATENT DOCUMENTS

D130,059 S	3/1941	Herr	
D259,586 S	6/1981	Johnson	
D278,461 S	4/1985	Pepall	
D283,645 S	4/1986	Tanaka	
D330,269 S	10/1992	Hong	
5,169,226 A	12/1992	Friedman	
D350,620 S	9/1994	Yuen	
D356,647 S *	3/1995	Jung	D26/24
D360,049 S	7/1995	Shemitz	
D366,337 S *	1/1996	Yuen	D26/44
D386,278 S	11/1997	Engle et al.	
D423,130 S *	4/2000	Kung	D26/60
D424,223 S *	5/2000	Fun	D26/44
D432,696 S	10/2000	Ford	
D446,877 S *	8/2001	Lester	D26/72
D456,546 S	4/2002	Bernard	
6,390,652 B1	5/2002	Echito	
D464,162 S	10/2002	Segretto	

D469,560 S	1/2003	Nayler et al.
D470,262 S	2/2003	Yiu
6,536,924 B2	3/2003	Segretto
D476,106 S	6/2003	Kim
D523,984 S	6/2006	Cai

(Continued)

Primary Examiner—Cathron C Brooks

Assistant Examiner—Barbara Fox

(74) *Attorney, Agent, or Firm*—Theodore W. Baker

(57) **CLAIM**

I claim the ornamental design for a lighting device, as shown and described.

DESCRIPTION

FIG. 1 is a perspective view of a lighting device showing my new design in an expanded configuration, as viewed from the top and one side thereof.

FIG. 2 is a perspective view of the lighting device of FIG. 1 in a collapsed configuration and positioned within a mounting sleeve, as viewed from the top and one side thereof.

FIG. 3 is a top plan view of the lighting device of FIG. 1 in the collapsed configuration.

FIG. 4 is a first end elevation view of the lighting device of FIG. 1 in the collapsed configuration.

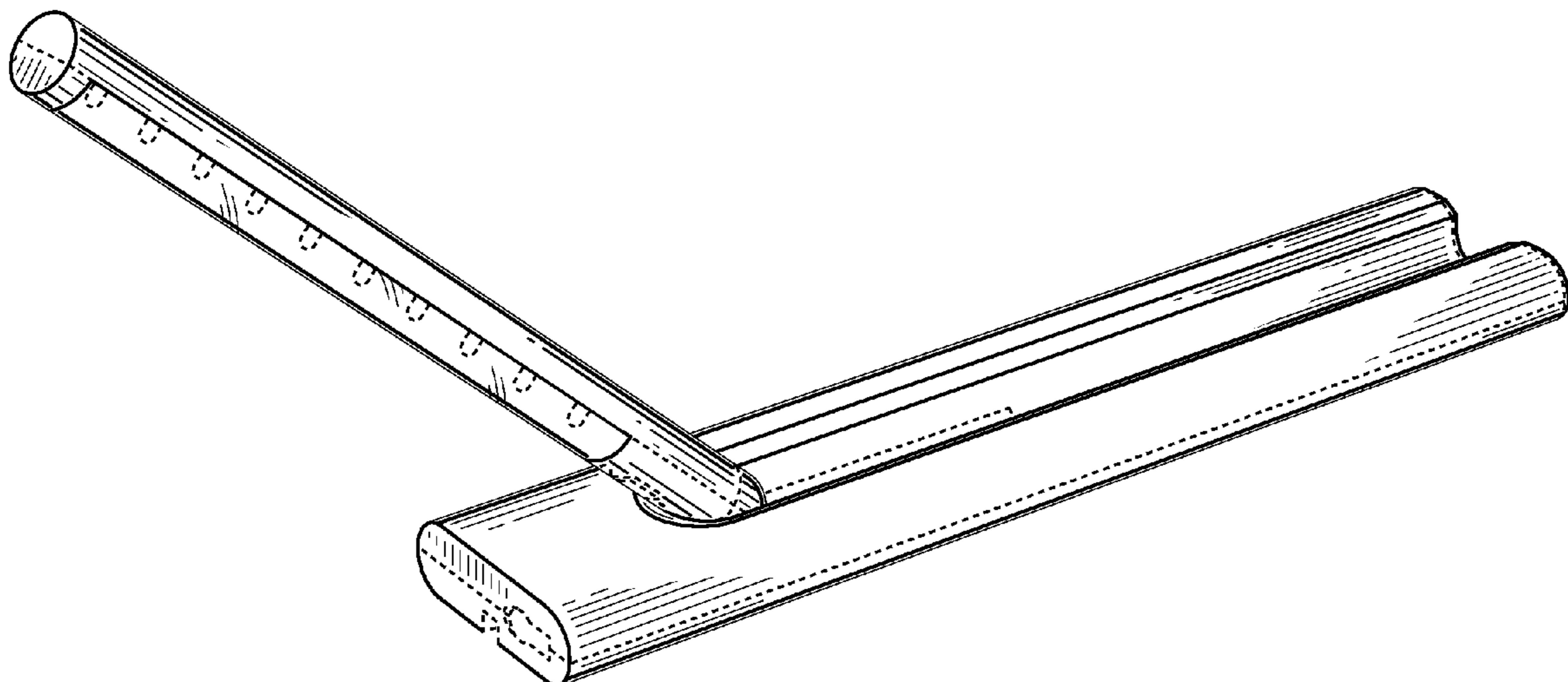
FIG. 5 is a second end elevation view of the lighting device of FIG. 1 in the collapsed configuration.

FIG. 6 is a bottom plan view of the lighting device of FIG. 1 in the collapsed configuration; and,

FIG. 7 is a side elevation view of the lighting device of FIG. 1 in a partially expanded configuration, the opposite side being a mirror image thereof.

The details shown in broken lines are for illustrative purposes only and form no part of the claimed design.

1 Claim, 3 Drawing Sheets



US D581,571 S

Page 2

U.S. PATENT DOCUMENTS						
				D561,925 S	2/2008	Levine
				D563,013 S	2/2008	Levine
				D563,014 S	2/2008	Levine
				D563,582 S	3/2008	Levine
				2002/0145876 A1	10/2002	Juang
				2006/0256584 A1	11/2006	Paoluccio
7,066,619 B2	6/2006	Waters				
D525,381 S	7/2006	Hodgson				
D527,131 S	8/2006	McCarthy, III				
D549,382 S	8/2007	Lee				
7,270,443 B2	9/2007	Kurtz et al.				
D560,014 S *	1/2008	Lammel et al.	D26/61			* cited by examiner

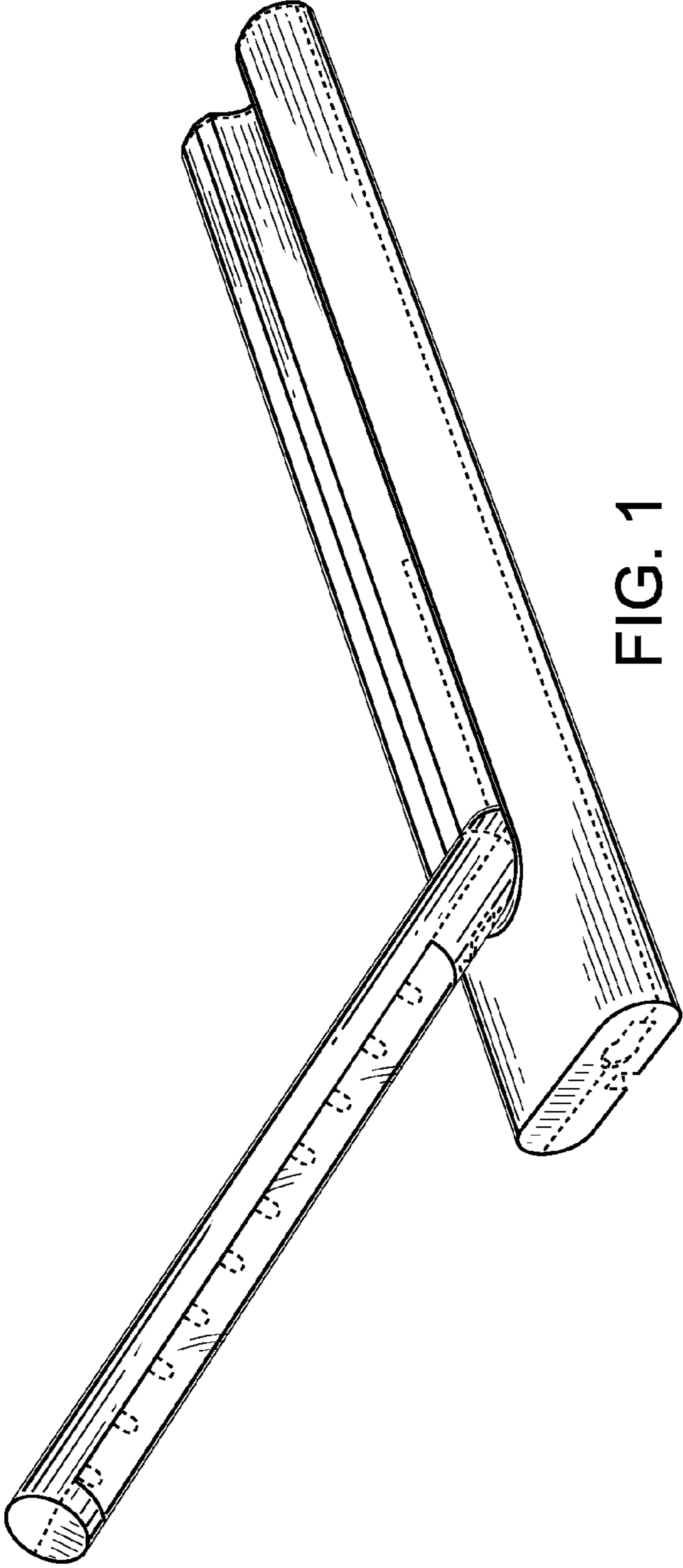


FIG. 1

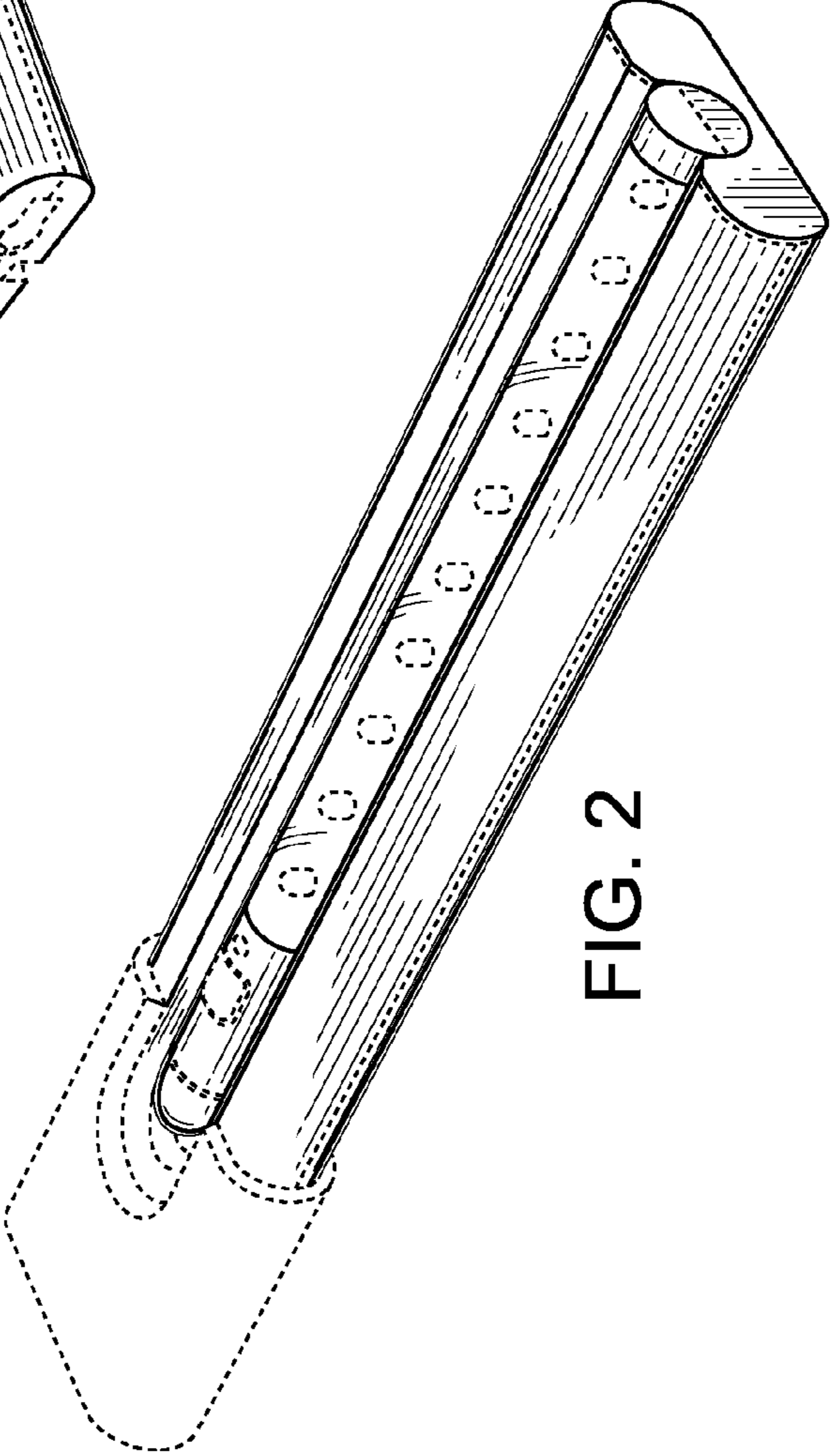


FIG. 2

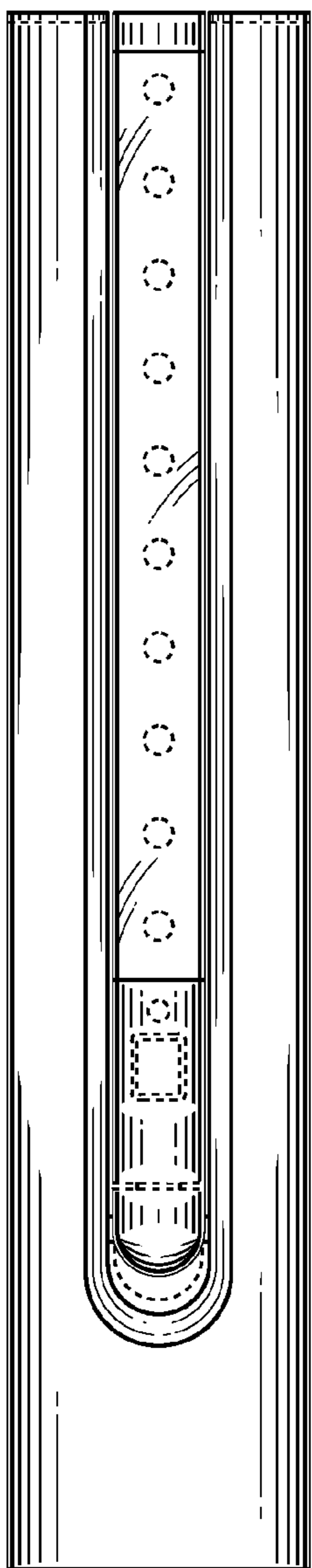


FIG. 3

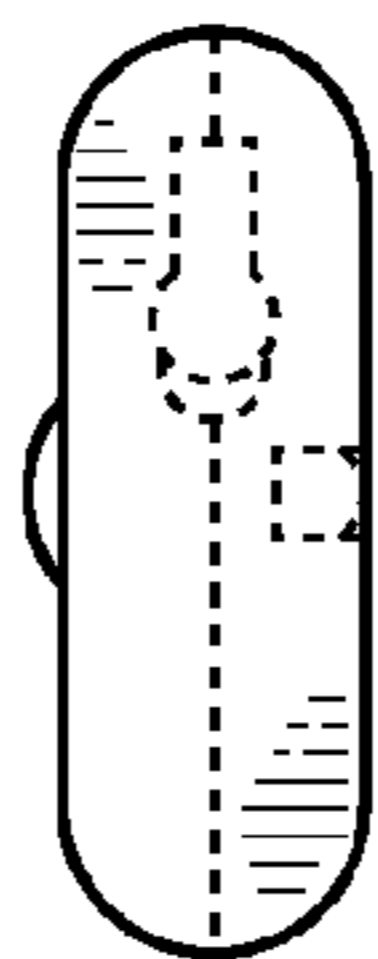


FIG. 4

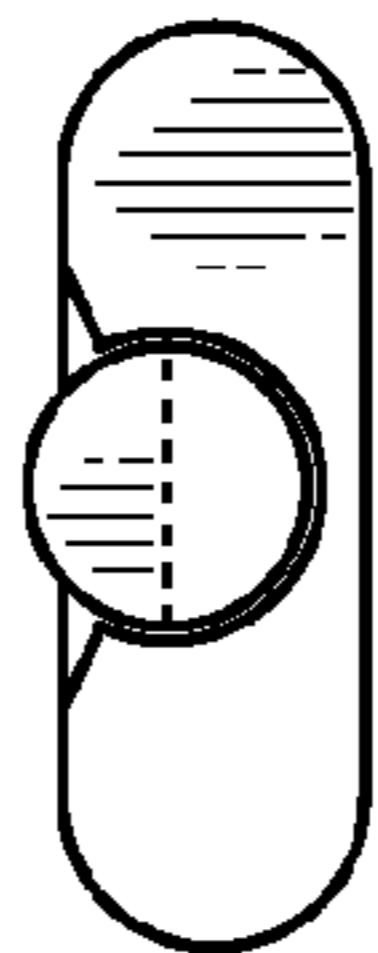


FIG. 5

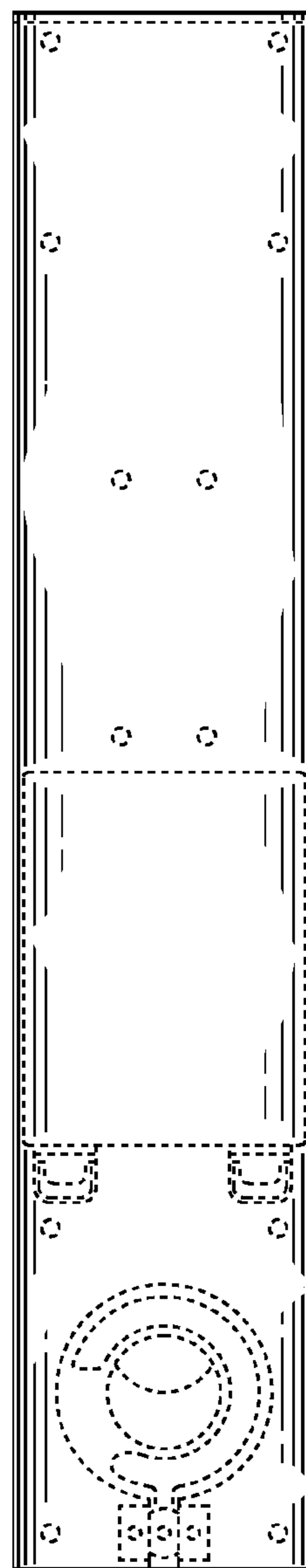


FIG. 6

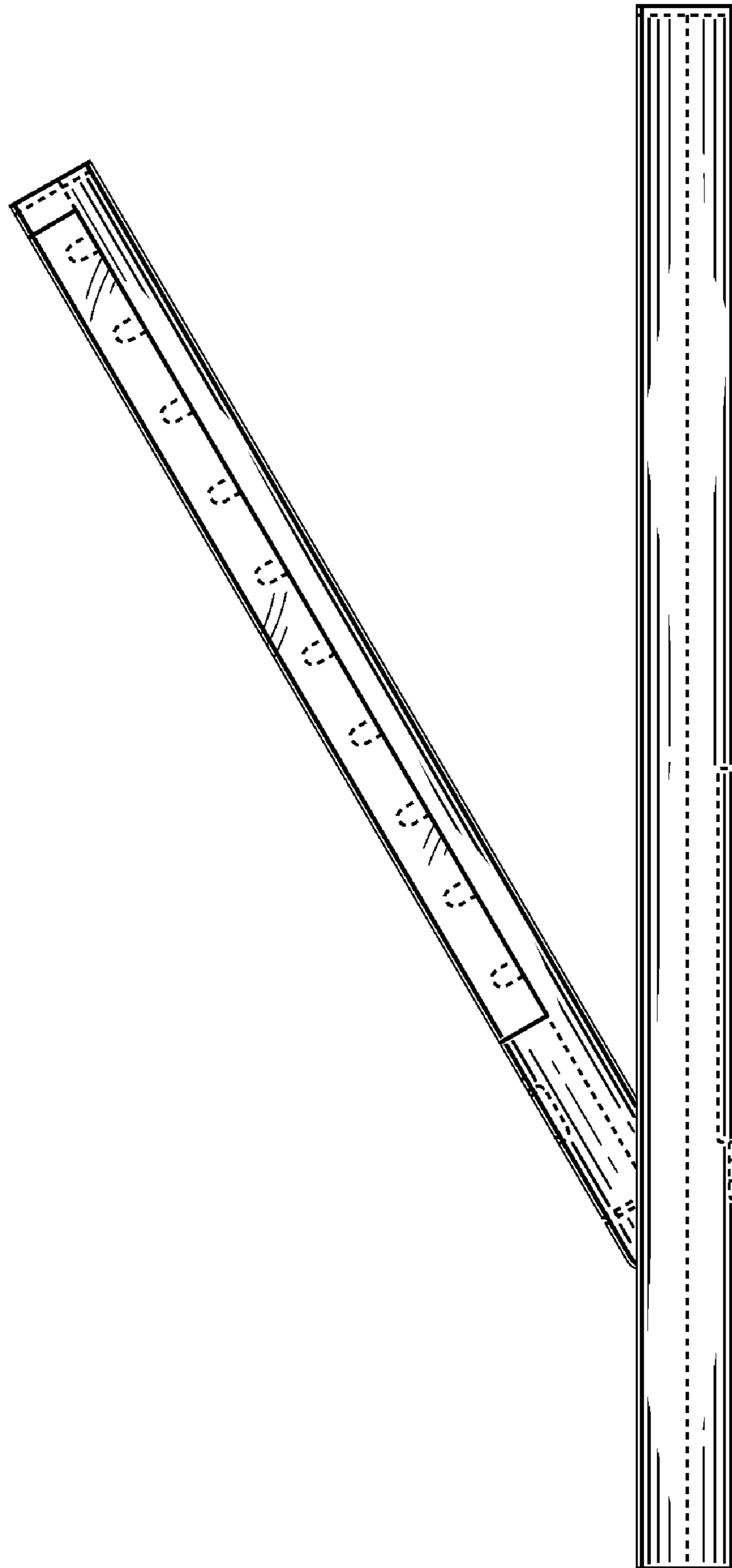


FIG. 7