



US00D581569S

(12) **United States Design Patent**
Levine

(10) **Patent No.:** **US D581,569 S**
(45) **Date of Patent:** **** Nov. 25, 2008**

(54) **LIGHTING DEVICE**

(76) Inventor: **Jonathan E. Levine**, 419 Park Ave.
South, Suite 505, New York, NY (US)
10016

(**) Term: **14 Years**

(21) Appl. No.: **29/322,511**

(22) Filed: **Aug. 6, 2008**

(51) **LOC (8) Cl.** **26-05**

(52) **U.S. Cl.** **D26/61**

(58) **Field of Classification Search** D26/43,
D26/51, 56, 60-66, 72, 93, 107, 118, 128;
D24/210; 362/147, 191, 230, 231, 232, 238,
362/239, 250, 254, 255, 265, 269, 270, 275,
362/277, 278, 280-288, 306, 310, 311, 362,
362/396, 404, 410-414, 418-430, 449, 640,
362/647, 648, 652, 653, 655, 804, 99; 439/122
See application file for complete search history.

(56) **References Cited**

U.S. PATENT DOCUMENTS

D130,059 S	3/1941	Herr	
D130,813 S	12/1941	Carter, Jr.	
2,345,235 A	3/1944	Carter, Jr.	
D155,488 S	10/1949	Crockett	
D163,762 S	6/1951	McCann	
2,595,520 A	5/1952	Guerin	
D175,933 S	11/1955	Crockett	
4,751,627 A	6/1988	Usher	
4,816,969 A	3/1989	Miller	
D303,848 S *	10/1989	Bianchi	D26/65
D327,334 S	6/1992	Parker	
D330,269 S	10/1992	Hong	
5,265,000 A	11/1993	Lin	
D350,620 S	9/1994	Yuen	
D356,647 S	3/1995	Jung	
D360,049 S *	7/1995	Shemitz	D26/74
D362,314 S *	9/1995	Shemitz	D26/74

D366,337 S	1/1996	Yuen	
5,595,436 A	1/1997	Way, Jr. et al.	
D386,278 S	11/1997	Engle et al.	
5,690,418 A *	11/1997	Hsiung	362/259
5,765,939 A	6/1998	Tanner, Jr.	

(Continued)

Primary Examiner—Cathron C Brooks
Assistant Examiner—Barbara Fox
(74) *Attorney, Agent, or Firm*—Theodore W. Baker

(57) **CLAIM**

I claim the ornamental design for a lighting device, as shown and described.

DESCRIPTION

FIG. 1 is a perspective view of a lighting device showing my new design, in a compact configuration, and as viewed from the top and one side.

FIG. 2 is a front elevation view of the lighting device of FIG. 1 in the compact configuration.

FIG. 3 is a top plan view of the lighting device of FIG. 1 in the compact configuration.

FIG. 4 is a first side elevation view of the lighting device of FIG. 1 in the compact configuration.

FIG. 5 is a back elevation view of the lighting device of FIG. 1 in the compact configuration.

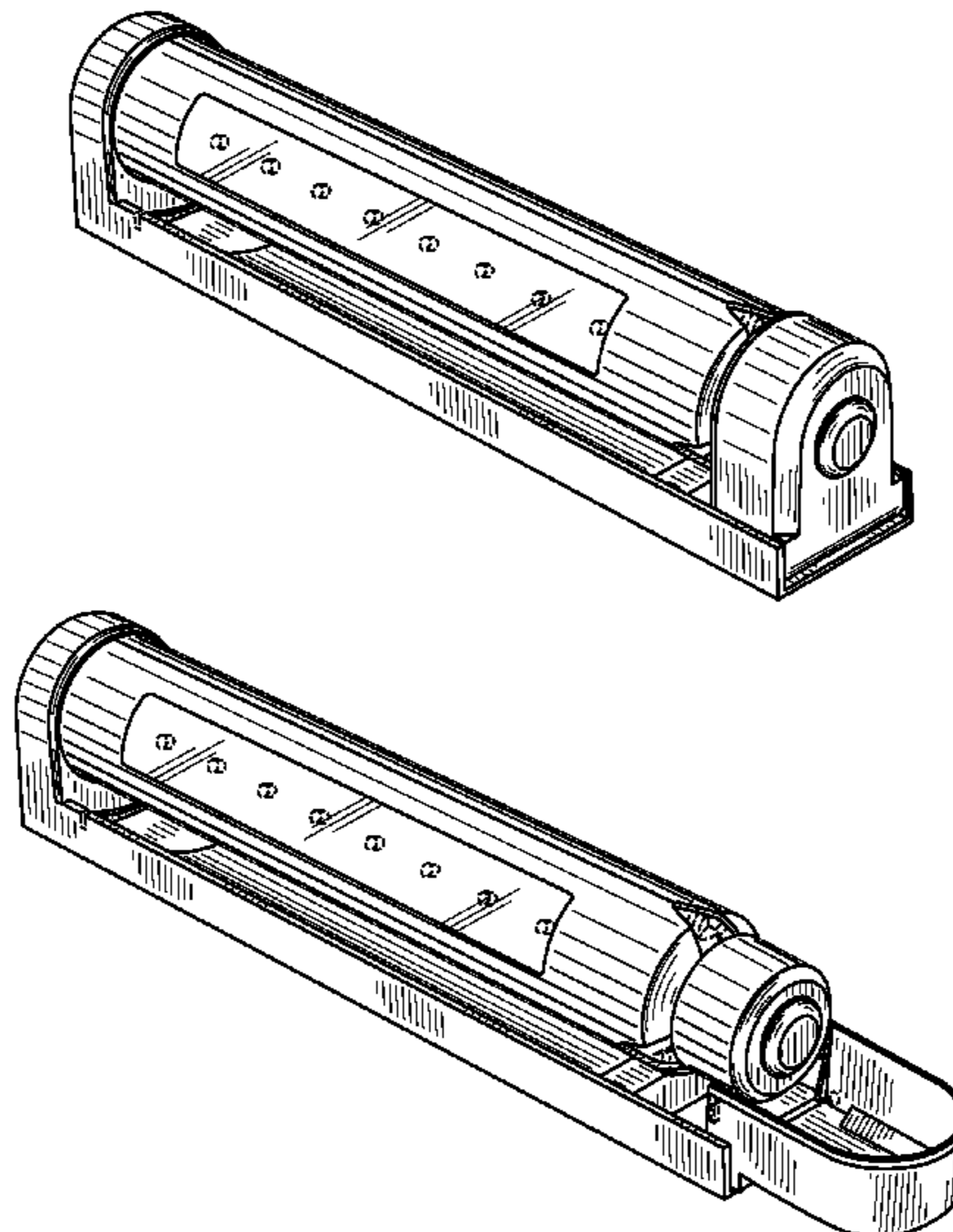
FIG. 6 is a second side elevation view of the lighting device of FIG. 1 in the compact configuration.

FIG. 7 is a bottom plan view of the lighting device of FIG. 1, in the compact configuration; and,

FIG. 8 is a perspective view of the lighting device of FIG. 1 in a partially expanded configuration, as viewed from the top and one side thereof.

The details shown in broken lines are for illustrative purposes only and form no part of the claimed design.

1 Claim, 3 Drawing Sheets

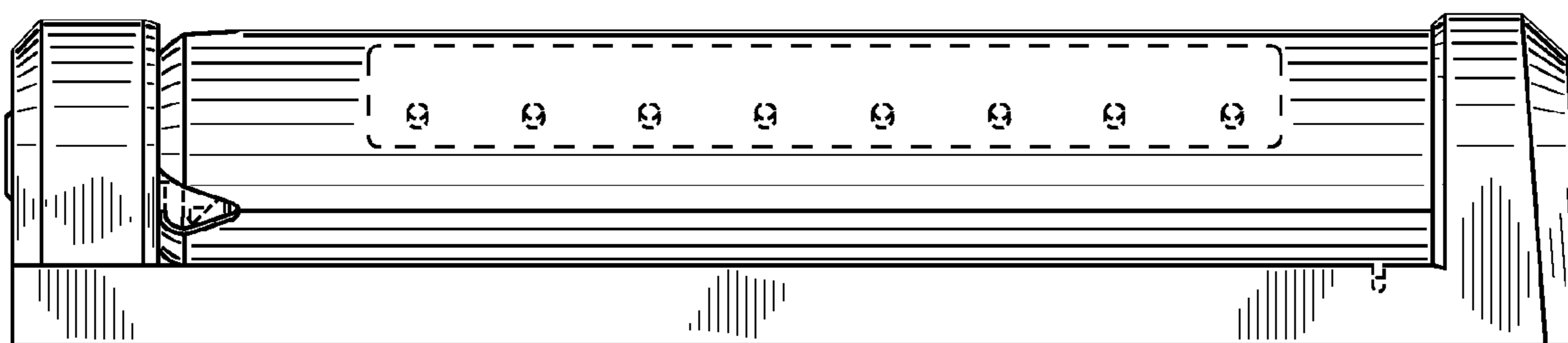
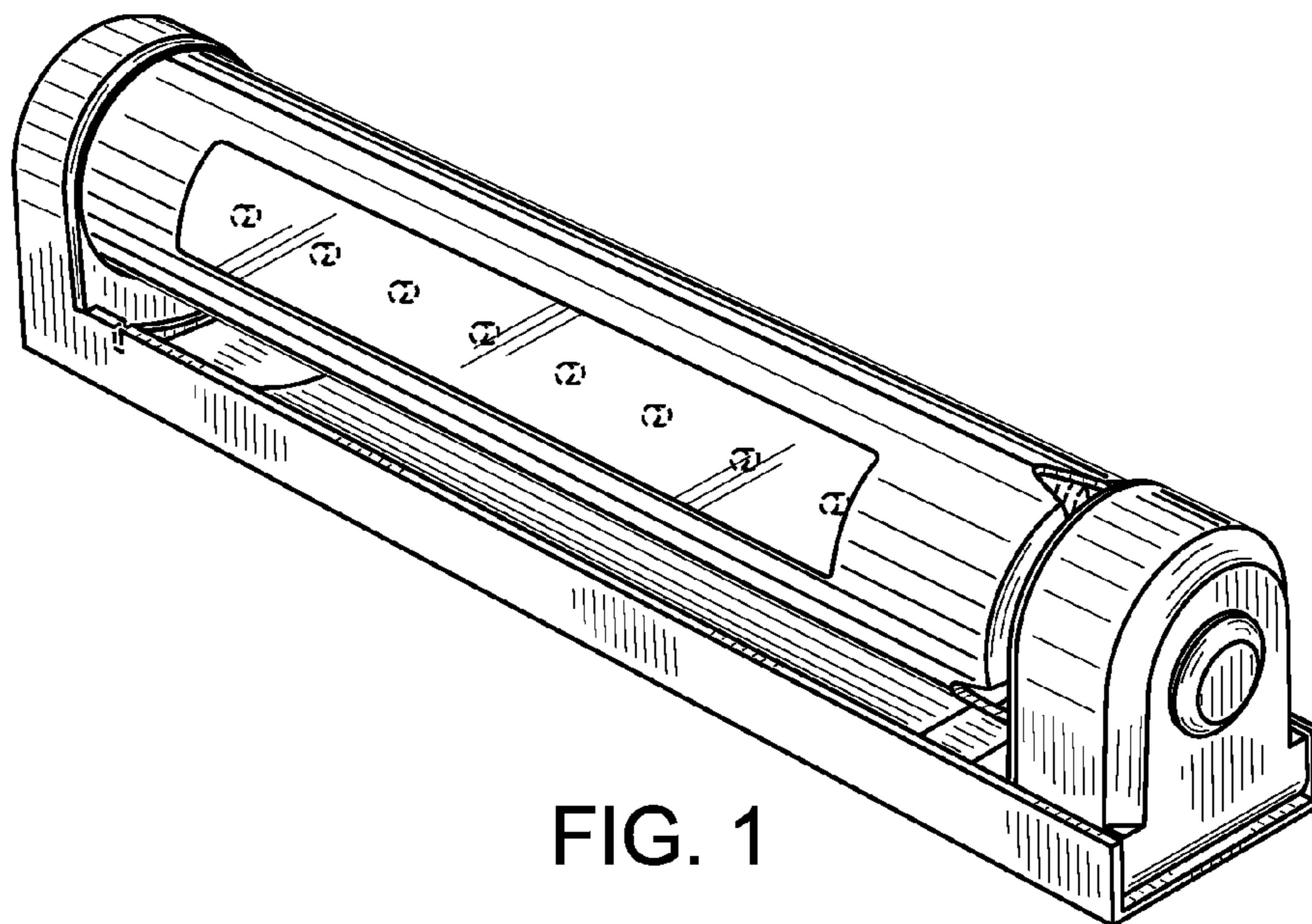


US D581,569 S

Page 2

U.S. PATENT DOCUMENTS					
D397,478 S	8/1998	Booty, Jr.	6,588,920 B2	7/2003	Agro
D397,479 S	8/1998	Compton et al.	D506,560 S	6/2005	Oas
D404,159 S	1/1999	Klaus	D521,171 S	5/2006	Skegin
5,871,274 A	2/1999	Lee et al.	D522,678 S	6/2006	Wang
D408,567 S	4/1999	Coe	D523,984 S	6/2006	Cai
5,934,787 A	8/1999	Sharma	7,066,619 B2	6/2006	Waters
D415,304 S	10/1999	Brown	D525,381 S	7/2006	Hodgson
D420,757 S *	2/2000	Peterson D26/64	D526,433 S	8/2006	Li
D423,130 S	4/2000	Kung	D527,131 S	8/2006	McCarthy, III
D424,223 S	5/2000	Fun	D549,382 S	8/2007	Lee
D432,696 S	10/2000	Ford	7,270,443 B2	9/2007	Kurtz et al.
6,206,541 B1	3/2001	Landamia	D560,014 S *	1/2008	Lammel et al. D26/61
D440,692 S	4/2001	Janos et al.	D561,925 S	2/2008	Levine
D446,877 S	8/2001	Lester	D563,013 S	2/2008	Levine
6,390,652 B1	5/2002	Echito	D563,014 S	2/2008	Levine
D464,162 S	10/2002	Segretto	D563,582 S	3/2008	Levine
D470,262 S	2/2003	Yiu	D576,334 S *	9/2008	Levine D26/76
6,536,924 B2	3/2003	Segretto	2002/0145876 A1	10/2002	Juang
			2006/0050519 A1	3/2006	Lin

* cited by examiner



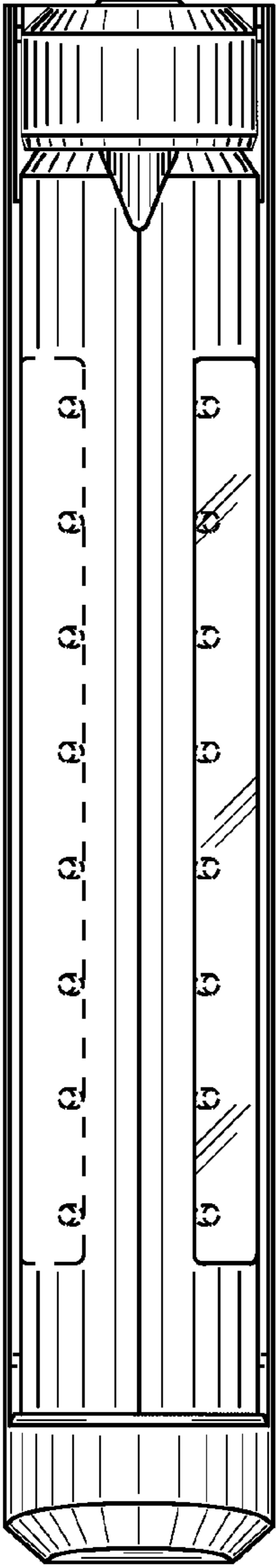


FIG. 3

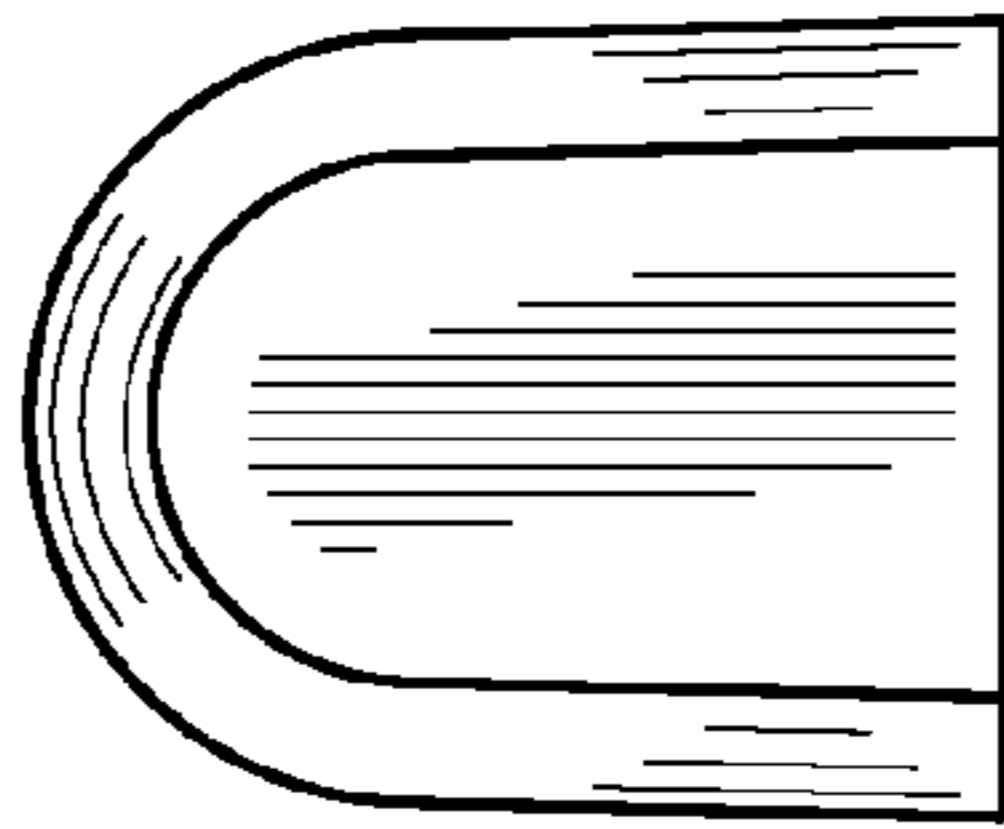


FIG. 4

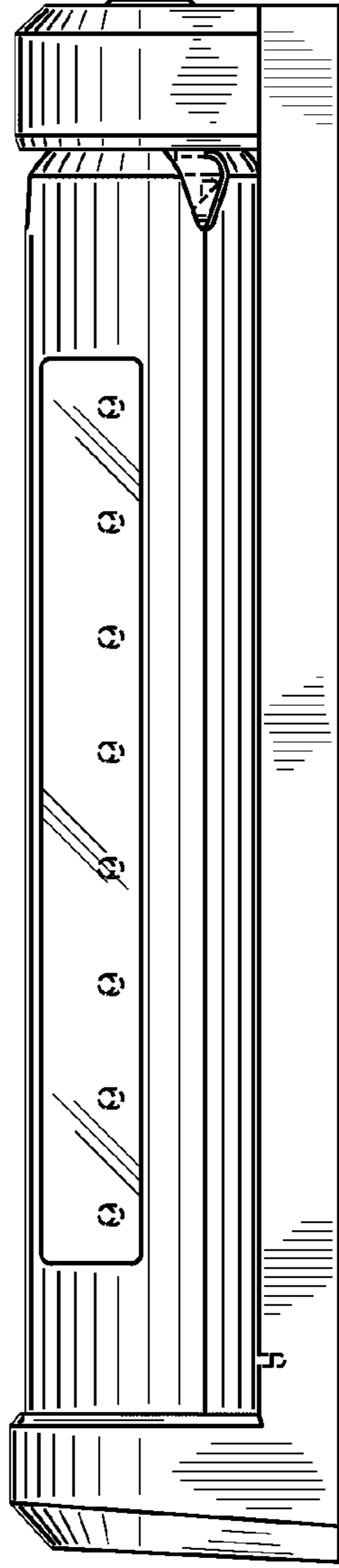


FIG. 5

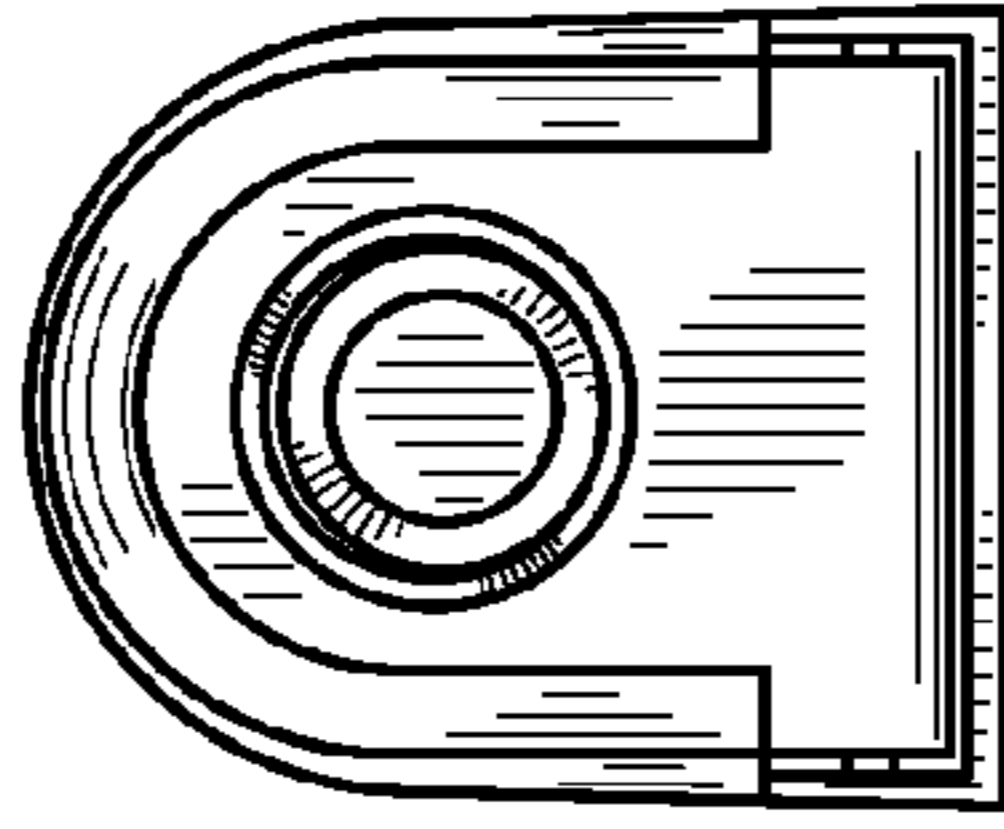


FIG. 6

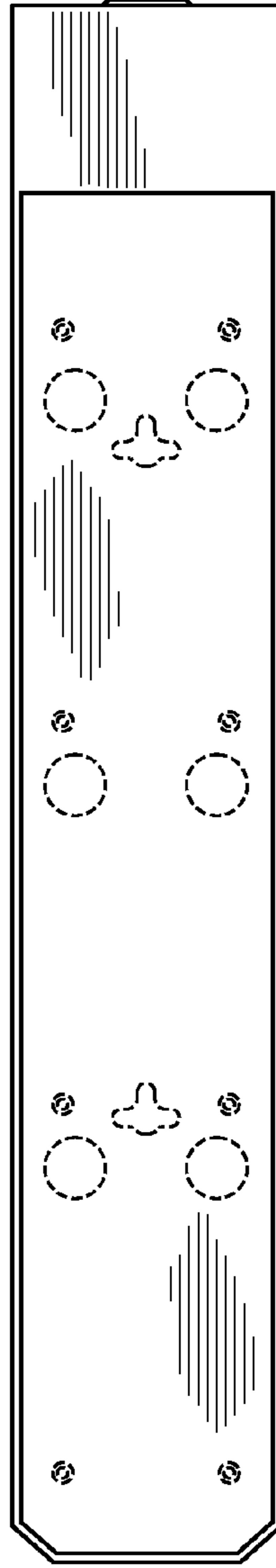


FIG. 7

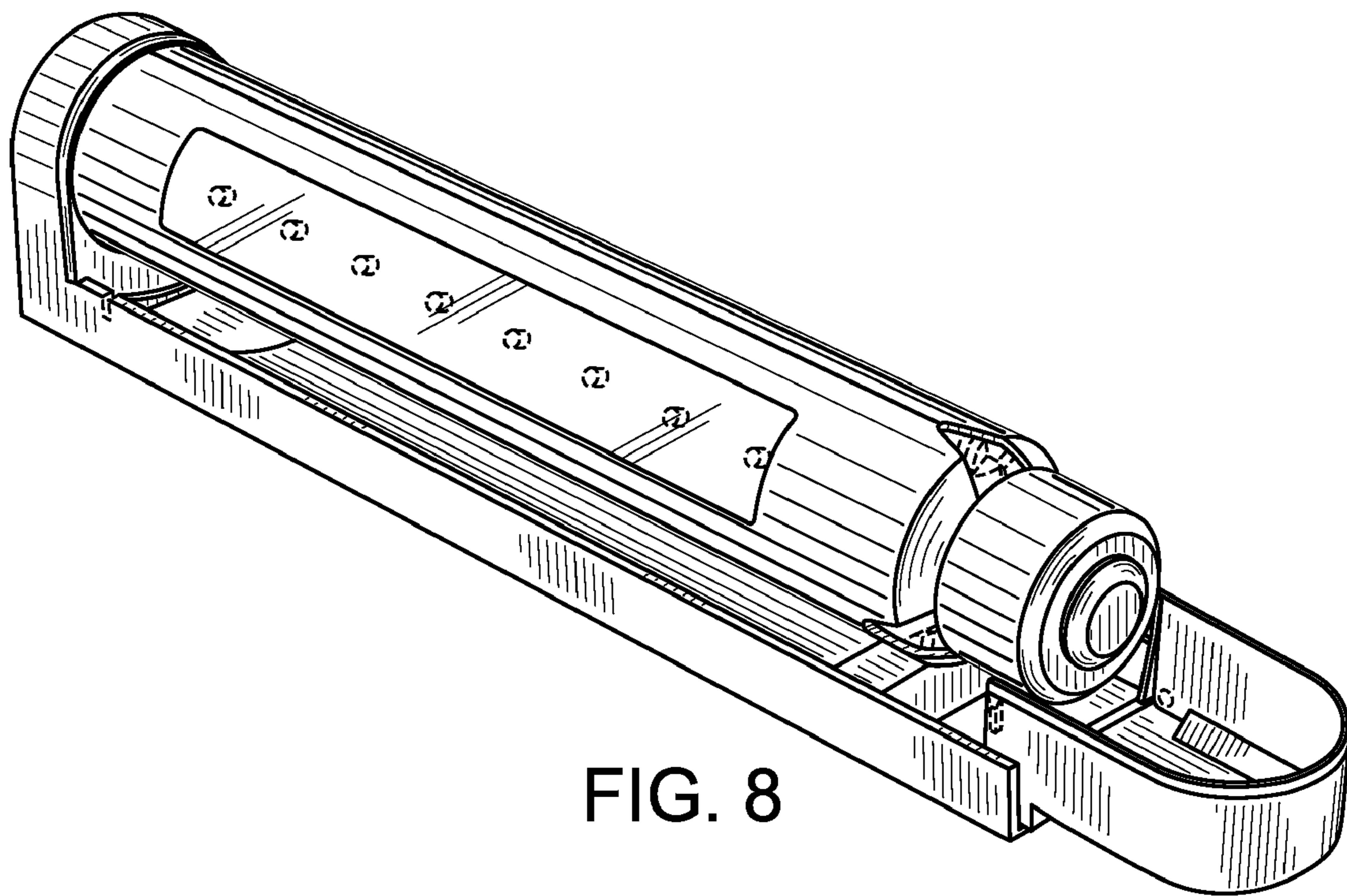


FIG. 8