



US00D581567S

(12) **United States Design Patent**
Crawford et al.

(10) **Patent No.:** **US D581,567 S**

(45) **Date of Patent:** **** Nov. 25, 2008**

(54) **LIGHTING DEVICE**

(75) Inventors: **John Crawford**, Avon, OH (US); **David J. Hine**, Skaneateles, NY (US); **Todd B. Abernethy**, Syracuse, NY (US); **Donwoong Kang**, Camillus, NY (US); **Scott W. Osiecki**, Skaneateles, NY (US)

(73) Assignee: **Eveready Battery Company, Inc.**, St. Louis, MO (US)

(**) Term: **14 Years**

(21) Appl. No.: **29/302,837**

(22) Filed: **Jan. 25, 2008**

(51) **LOC (8) Cl.** **26-02**

(52) **U.S. Cl.** **D26/38**

(58) **Field of Classification Search** D26/39,
D26/38, 46, 51, 37; 362/103, 105, 106, 107,
362/108, 157, 158, 183, 184, 190, 191, 196,
362/197, 198, 208, 804

See application file for complete search history.

(56) **References Cited**

U.S. PATENT DOCUMENTS

6,481,869	B1	11/2002	Horandel et al.	
D470,615	S *	2/2003	Janice et al.	D26/39
D492,052	S *	6/2004	Schnell	D26/39
D503,817	S *	4/2005	Shiu	D26/39
6,979,098	B2	12/2005	Petzl et al.	
6,979,099	B2	12/2005	Harris, Jr. et al.	
7,055,996	B2	6/2006	Pond et al.	
D527,127	S *	8/2006	Petzl	D26/39
D554,782	S *	11/2007	Shiu	D26/39
7,293,898	B2	11/2007	Kumthampinij et al.	
D556,927	S *	12/2007	Shiu	D26/39

D560,008 S * 1/2008 Poon D26/39

D566,310 S * 4/2008 Alessio D26/39

D573,736 S * 7/2008 Poon D26/39

2006/0245195 A1 11/2006 Kim et al.

2007/0258244 A1 11/2007 Curran et al.

* cited by examiner

Primary Examiner—Ian Simmons

Assistant Examiner—Carissa C Fitts

(74) *Attorney, Agent, or Firm*—Gregory J. Adams

(57) **CLAIM**

We claim the ornamental design for a lighting device, as shown and described.

DESCRIPTION

FIG. 1 is a front, top and side environmental perspective view of a lighting device, showing our new design;

FIG. 2 is a rear, second side and bottom environmental perspective view thereof;

FIG. 3 is a front, top and side perspective view thereof;

FIG. 4 is a rear view thereof;

FIG. 5 is a front view thereof;

FIG. 6 is a top plan view thereof;

FIG. 7 is a bottom plan view thereof;

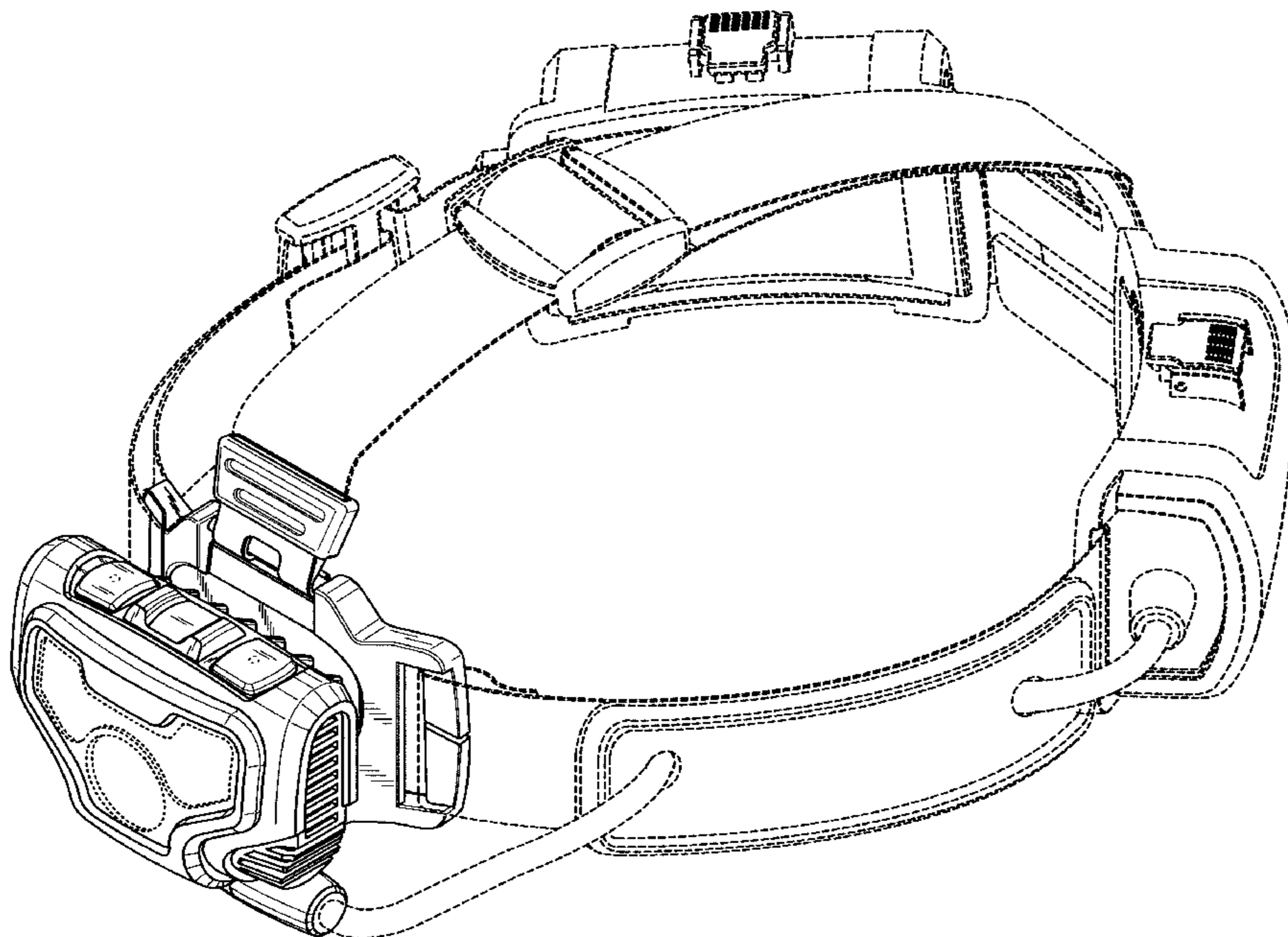
FIG. 8 is a side view thereof;

FIG. 9 is a second side view thereof; and,

FIG. 10 is a rear view thereof.

The broken line showing is superimposed on the continuous surface of the claimed design, is for illustrative purposes only, and forms no part of the claimed design.

1 Claim, 7 Drawing Sheets



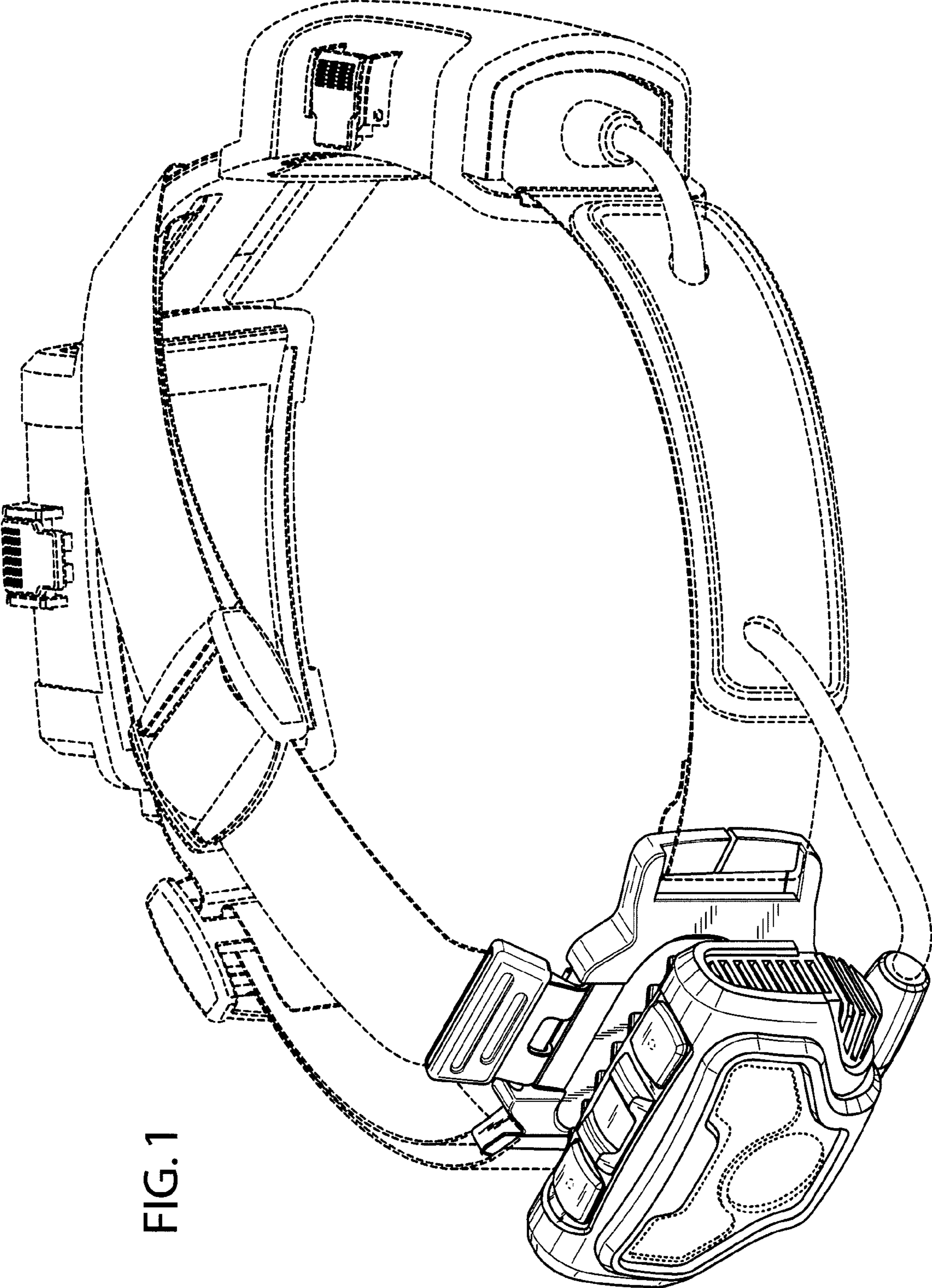


FIG. 1

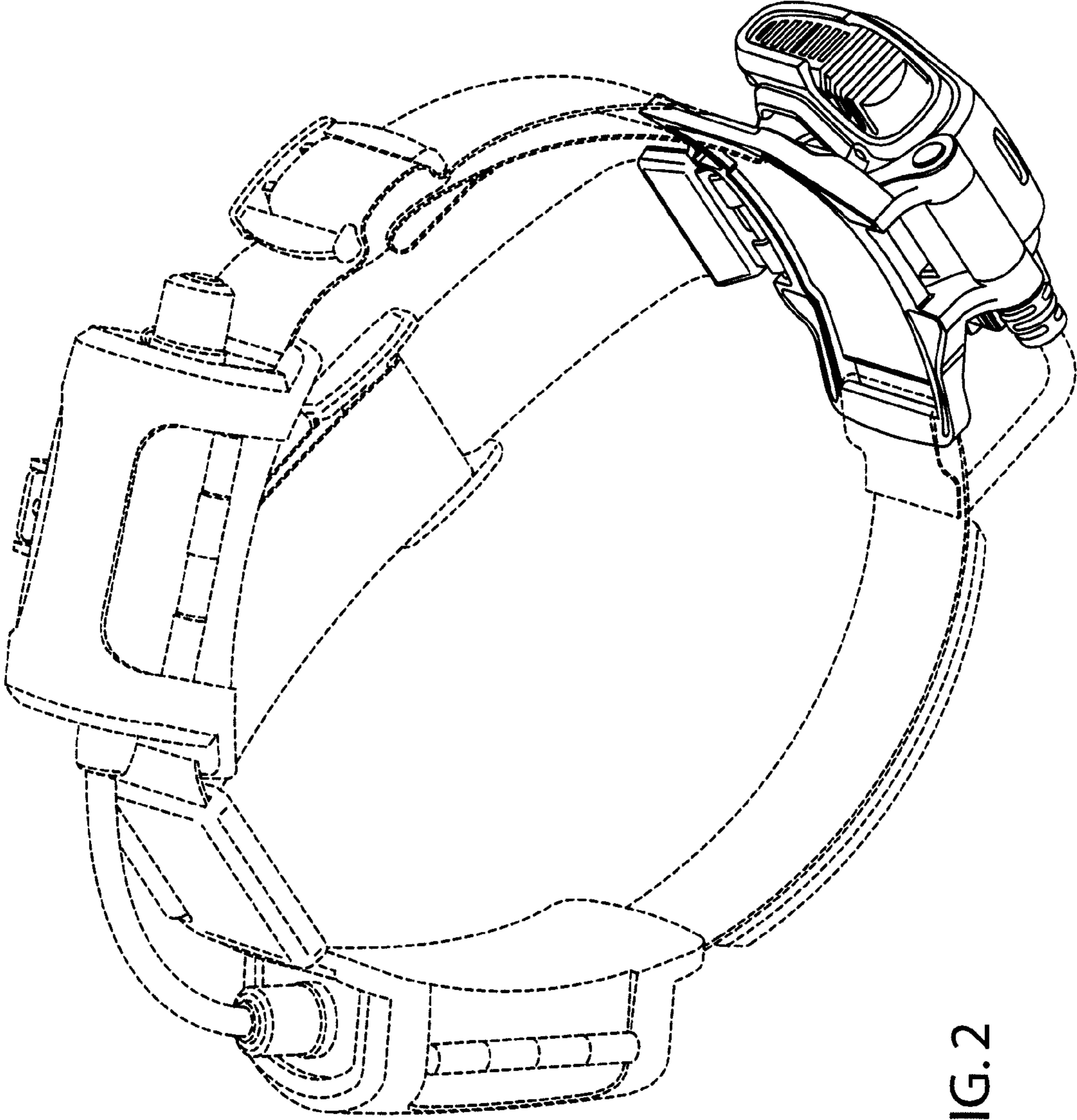


FIG. 2

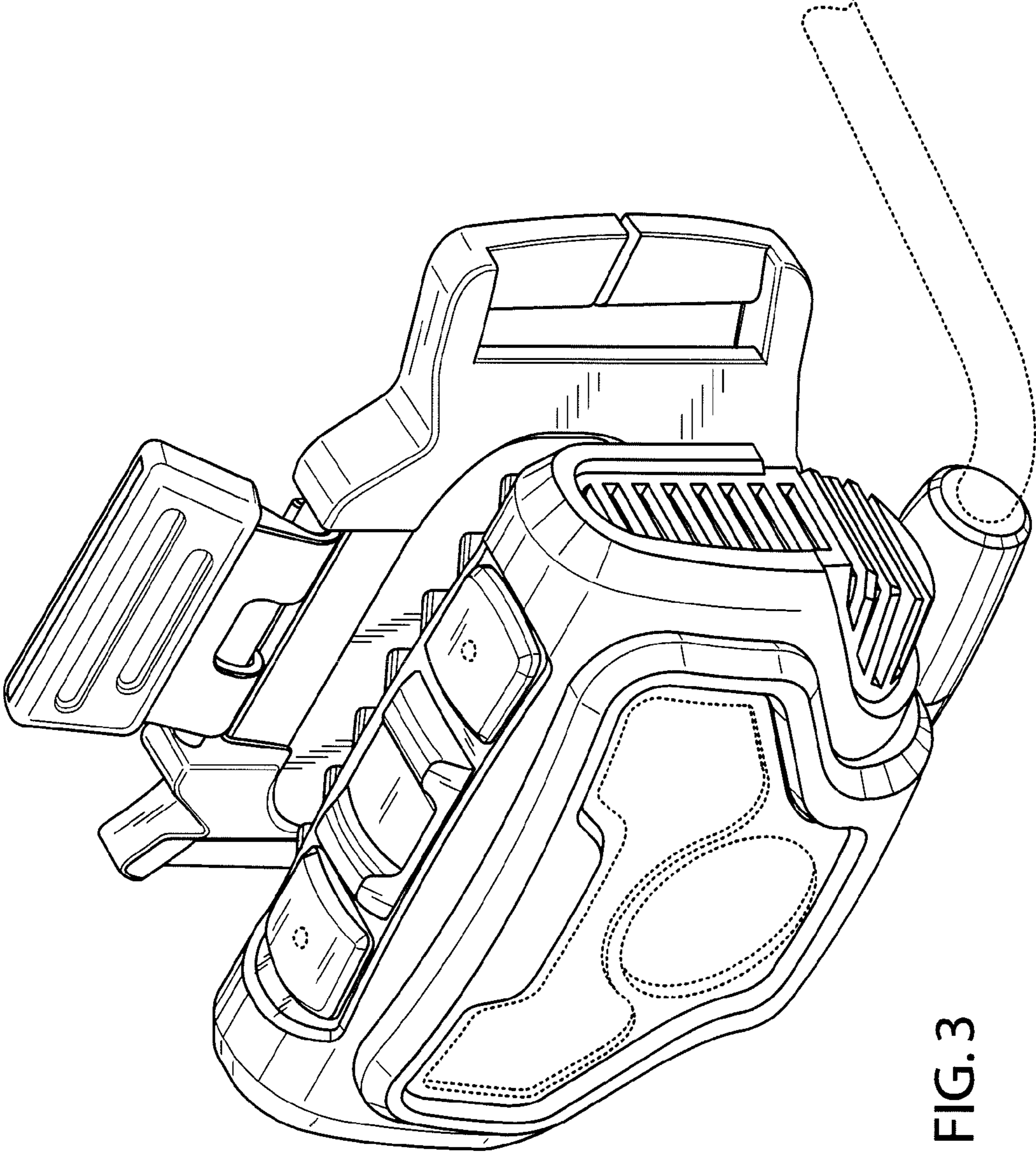


FIG. 3

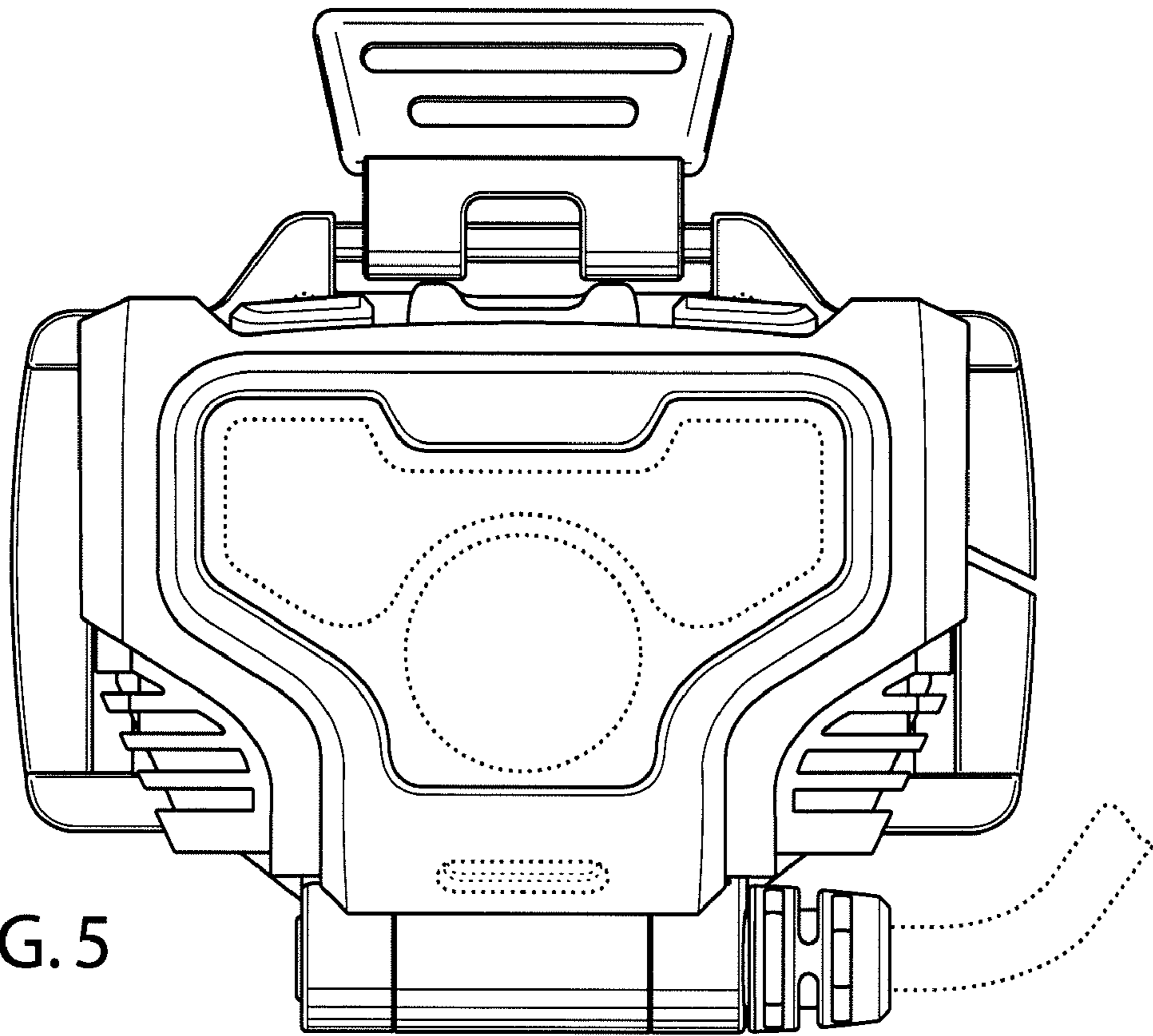


FIG. 5

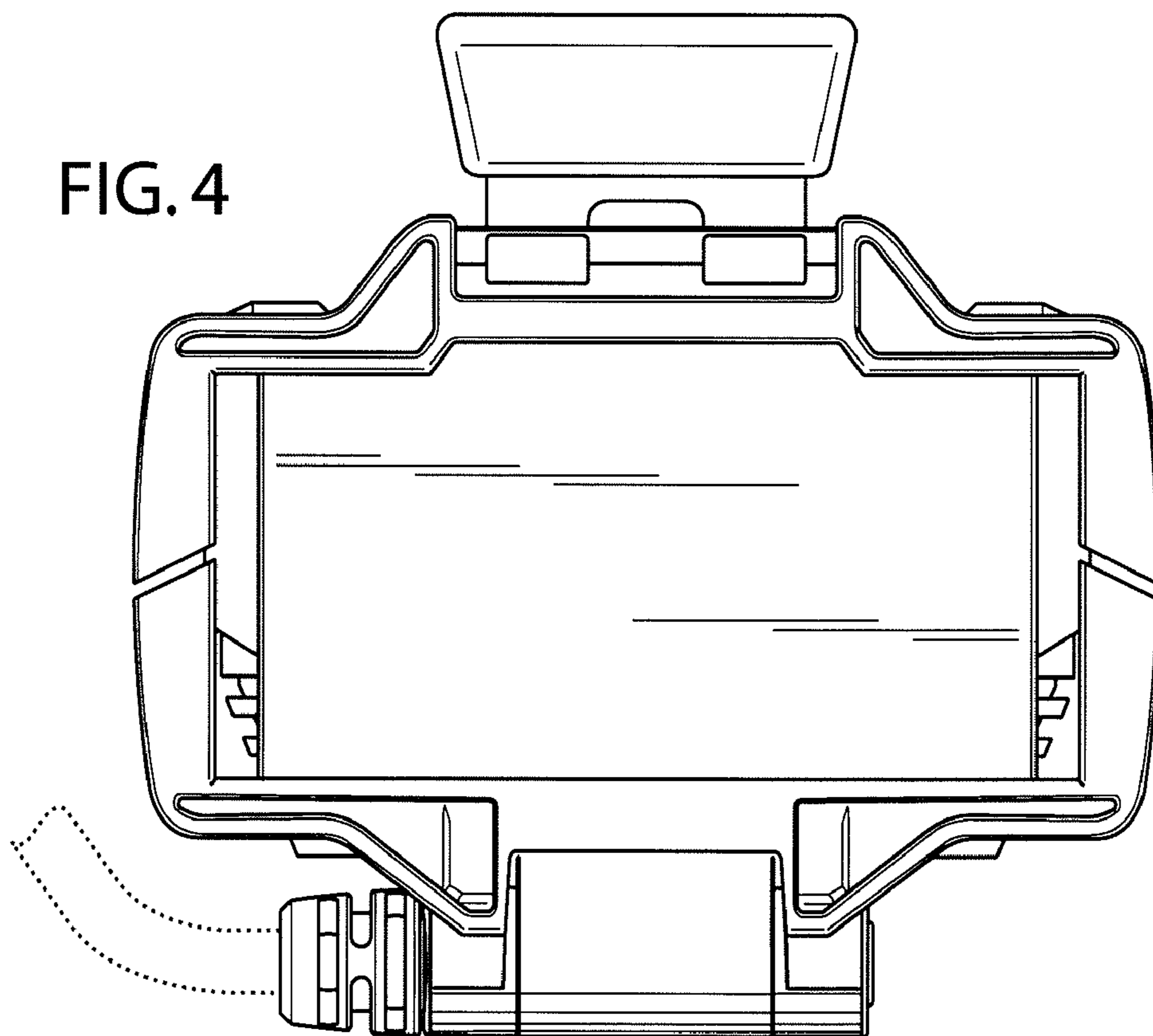


FIG. 4

FIG. 6

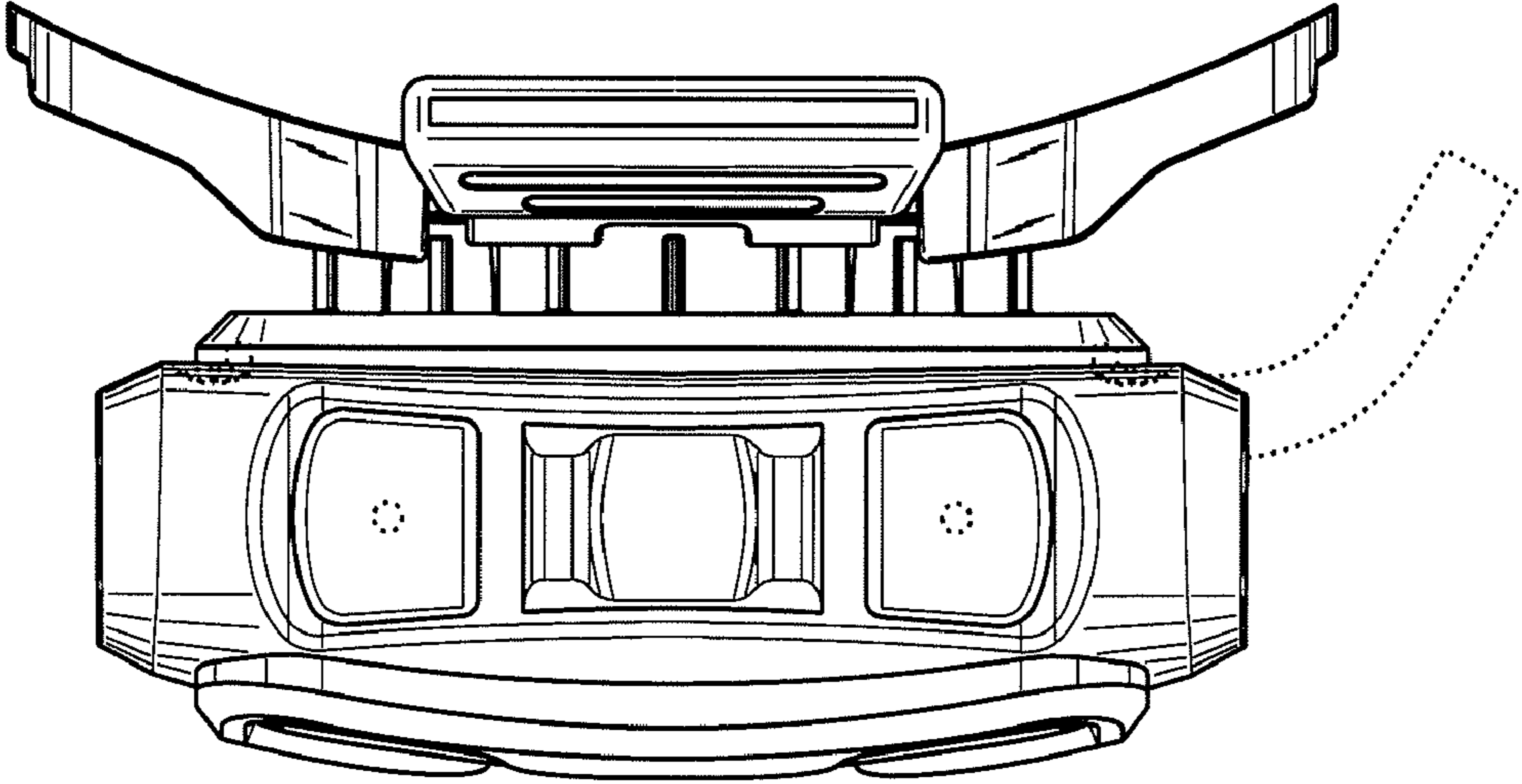
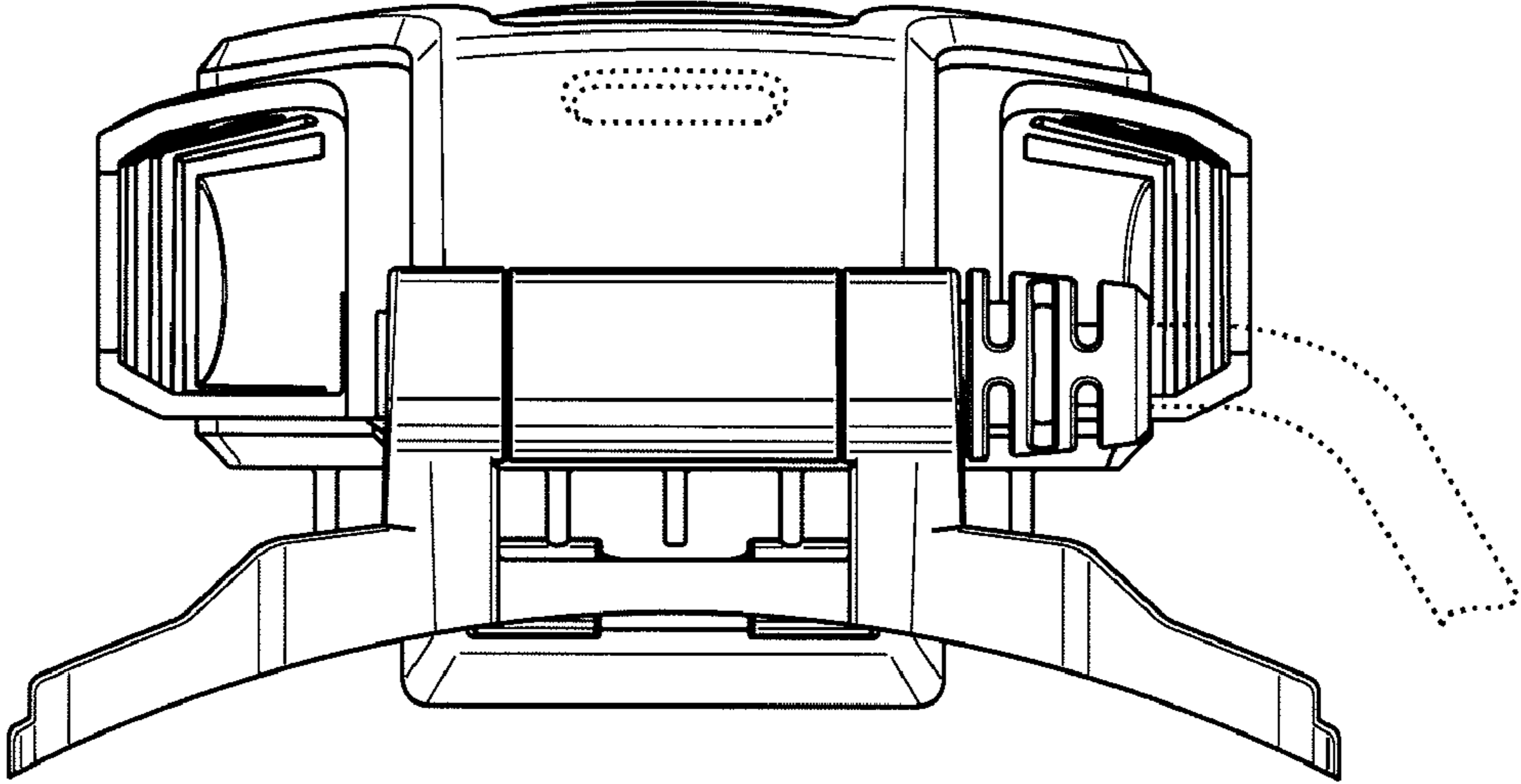


FIG. 7



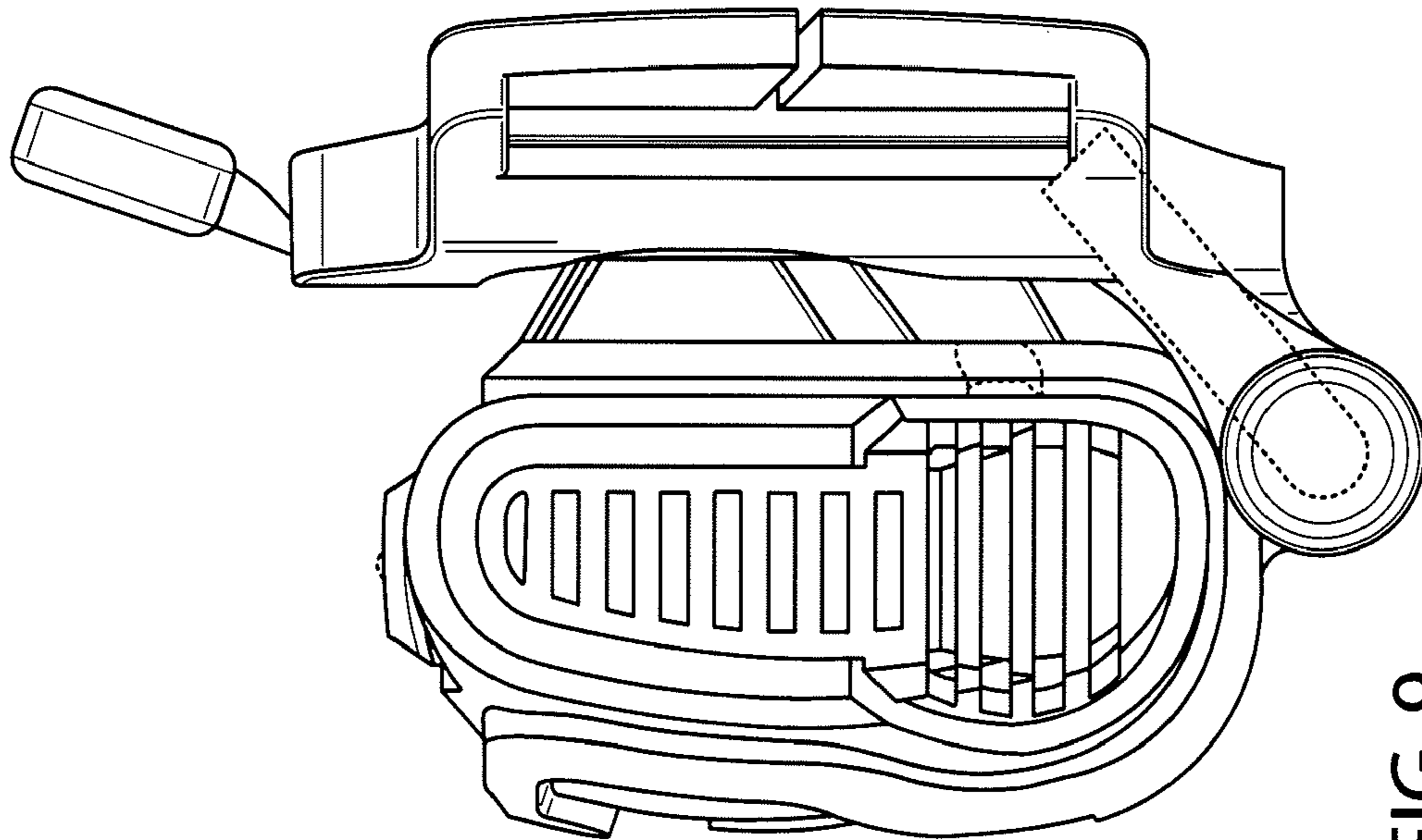


FIG. 9

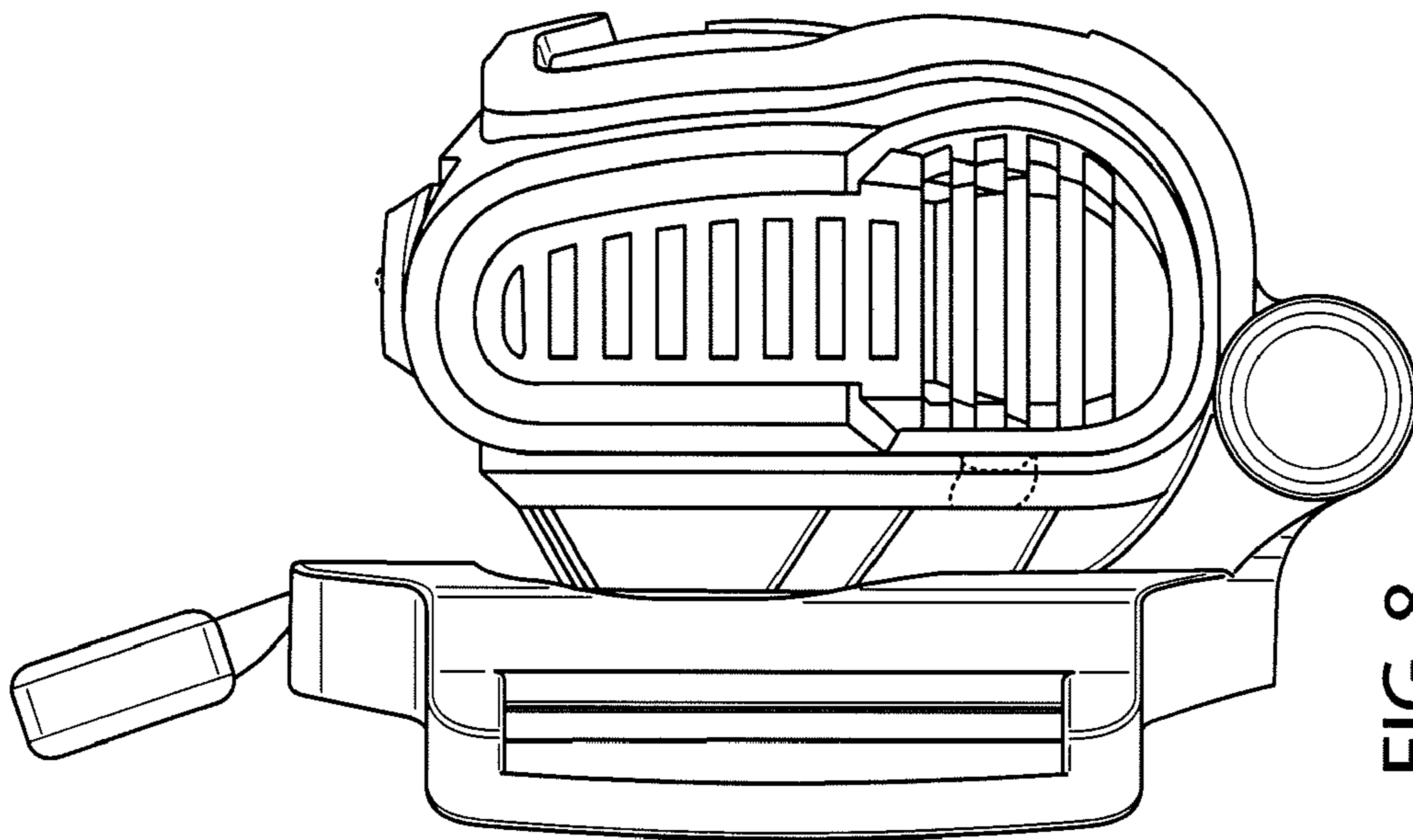


FIG. 8

FIG. 10

